

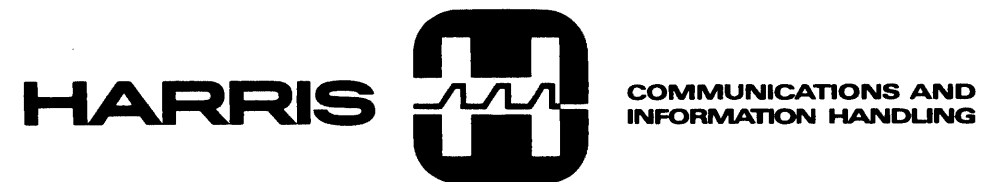
DRAWINGS MANUAL
SLASH 6 DIGITAL COMPUTER

Original Issue
October, 1976

Reissue
May, 1977

Revised
September, 1977

Revised
February, 1978



HARRIS CORPORATION Computer Systems Division
1200 Gateway Drive, Fort Lauderdale, Florida 33309 305/974-1700

LIST OF EFFECTIVE PAGES

TOTAL NUMBER OF PAGES IN THIS PUBLICATION IS: 225
CONSISTING OF THE FOLLOWING:

Page No.	Change No.	Page No.	Change No.	Page No.	Change No.
Title	Revised				
A	Revised				
B	Original				
i	Original				
1-1	Revised				
1-2	Original				
2-1 thru 2-112	Revised				
3-1 thru 3-5	Revised				
3-6	Original				
3-7 thru 3-19	Revised				
4-1	Revised				
4-2	Original				
4-3 thru 4-30	Revised				
5-1	Revised				
5-2	Original				
5-3 thru 5-33	Revised				
6-1 thru 6-25	Revised				

Insert Latest Revision Pages. Destroy Superseded Pages.

CAUTION NOTICE

While the Manufacturer has attempted to detail in this manual all areas of possible danger to personnel in connection with the use of this equipment, personnel should use caution when installing, checking out, operating and servicing this equipment, especially when power is on. As with all electronic equipment, care should be taken to avoid electrical shock in all circuits where substantial currents or voltages may be present, either through design or short circuit. Caution should be observed also in lifting and hoisting equipment especially regarding large structures during installation.

The Manufacturer is specifically not liable for any damage or injury arising out of a worker's failure to follow the instructions contained in this manual, or his failure to exercise due care and caution in the installation, operation, checkout and service of this equipment.

CONTENTS

<u>Section</u>		<u>Page</u>
I	INTRODUCTION	
	1-1 Scope of Manual	1-1
	1-2 Related Publications	1-1
	1-3 Use of Manual	1-1
	1-3.1 Organization	1-1
	1-3.2 Drawing Numbers	1-1
	1-3.3 Drawing Index	1-1
II	LOGIC/SCHEMATIC DIAGRAMS	
	2-1 Scope	2-1
	2-2 Addressing Conventions	2-1
	2-3 Signal Mnemonic Conventions	2-1
	2-4 Logic/Schematic Drawing Index	2-2
III	CABLE DRAWINGS	
	3-1 Cable Drawing Index	3-1
IV	COMPONENT ASSEMBLY DRAWINGS	
	4-1 Component Assembly Drawing Index	4-1
V	MECHANICAL ASSEMBLY DRAWINGS	
	5-1 Mechanical Assembly Drawing Index	5-1
VI	PARTS LISTS	
	6-1 Parts List Index	6-1

TABLES

<u>Table</u>		<u>Page</u>
1-1	Related Publications, SLASH 6 Computer	1-1

SECTION I
INTRODUCTION

1-1 SCOPE OF MANUAL

This manual contains drawings and parts information for the Central Processing Unit (CPU) in the SLASH 6 Digital Computer designed and manufactured by the Computer Systems Division of Harris Corporation, Fort Lauderdale, Florida.

The manual is arranged in sections, each containing a specific drawing type; e. g., logic/schematic diagrams, component assembly diagrams, etc. A separate index is provided for each drawing type. Drawings for all CPU options are included in the manual regardless of whether a given option is applicable to a specific computer system. System configuration details should be consulted to determine which option drawings are applicable.

1-2 RELATED PUBLICATIONS

Additional manuals related to the operation and maintenance of the SLASH 6 CPU are listed in Table 1-1.

Table 1-1. Related Publications, SLASH 6 Computer

Publication Number	Title
080003-001	Technical Manual, SLASH 6 Central Processor Unit
RH61393-00B	Programmer's Reference Guide
0810006-001	Technical Manual, SLASH 6 Semiconductor Memory
0810007-001	Technical Manual, SLASH 6 Magentic Core Memory
0830002-001	Reference Manual, SLASH 6 Systems Input/Output Interface
0830003-001	Reference Manual, SLASH 6 Computer System
0820010-001	Technical Manual, Direct Memory Access Communications Multiplexer, Series 8400
0820014-001	Technical Manual, Programmed I/O Channel (PIOC) for SLASH 6 Systems
0820015-001	Technical Manual, IBC/SE/24 I/O Channel for SLASH 6 Systems
0820016-001	Technical Manual, Universal Block Controller (UBC) for SLASH 6 Systems
0820018-001	Technical Manual, External Block Controller XBC/SE/24 I/O Channel for SLASH 6 Systems
0840003-001	Operator's Manual, SLASH 6 Digital Computer
0820023-001	Technical Manual, Model 8448 Wide Band Synchronous Interface

Table 1-1. Related Publications, SLASH 6 Computer (Cont'd.)

Publication Number	Title
0840002-001	Installation Manual, SLASH 6 Digital Computer
0870012-001	Technical Manual, Power Supply Part No. 4010106
0870502-001	Technical Manual, Power Supply Part No. 4010104
0870503-001	Technical Manual, Power Supply Part No. 4010105

1-3 USE OF MANUAL

1-3.1 Organization

Drawings in this manual are organized by type as indicated below.

- Section II - Logic/Schematic Diagrams;
- Section III - Cable Drawings;
- Section IV - Component Assembly Drawings;
- Section V - Mechanical Assembly Drawings;
- Section VI - Parts Lists.

1-3.2 Drawing Numbers

Drawings are assigned a seven-digit number; e. g., 0990035. These drawings are arranged in ascending numerical order (not necessarily sequential) within each section. Many drawings contain multiple sheets, with each sheet containing the basic drawing number and designated "sheet 1 of 3, 2 of 3," etc.

1-3.3 Drawing Index

Each section of the manual contains an index of drawings included in that section. The index lists: a) drawing number (in order of appearance); b) drawing title and description; c) number of sheets; d) drawing revision level; e) manual revision level; and f) manual page number on which the drawing is located.

The drawing and manual revision columns in each index provide a change history of each drawing in the manual. For example, if the drawing revision column indicates "A" and

the manual revision column indicates "Original", drawing revision A was included in the original issue of the manual. If the drawing revision is B and manual revision is A, for example, drawing level B was included in the A revision of the manual.

Manual change history is also provided by the "List of Effective Pages" in the front of the manual. This list identifies revision levels with their affected page, rather than drawing numbers.

SECTION II
LOGIC/SCHEMATIC DIAGRAMS

2-1 SCOPE

This section contains the logic/schematic diagrams for the SLASH 6 CPU printed circuit assemblies (cards). Each CPU card is represented by a unique drawing number; each drawing, in turn, contains multiple sheets.

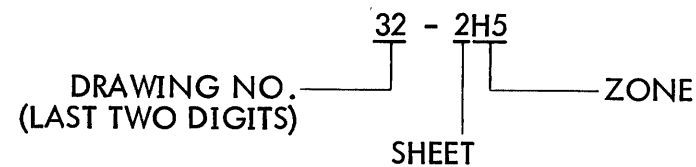
Certain CPU cards include a provision for installation of plug-in modules. The logic/schematic drawings for these modules are referenced on the appropriate logic diagram(s) and are included in this section.

Logic diagrams for the SLASH 6 memory and I/O channels are not provided in this manual, but are included in the appropriate technical manuals (reference: Table 1-1).

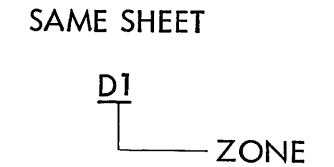
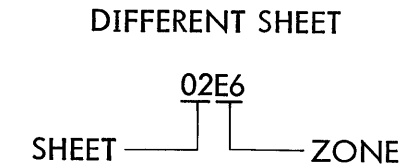
2-2 ADDRESSING CONVENTIONS

In the SLASH 6 CPU logic scheme, reverse addressing is employed. Each signal is addressed to its point of origin rather than its destination(s). Both inter- and intradrawing addresses are used.

Interdrawing addresses consist of the last two digits of the drawing number, plus the sheet and zone. For example, a signal originating in zone H5, sheet 2, of drawing 0990032 would be addressed as follows:



Intradrawing addresses (i. e., those originating within the same drawing) are identified by the sheet and zone number (where the origin is on another sheet of the same drawing) or merely by the zone (where the origin is on the same sheet). These forms are illustrated below:



2-3 SIGNAL MNEMONIC CONVENTIONS

Each signal entering or leaving a card by means of an edge connector pin (e. g., A52) is identified by a mnemonic label. (Mnemonic label definitions are provided in Section III.) A given signal's logic state may be determined by the presence or absence of a "plus" (+) sign at the end of the mnemonic label. A plus sign signifies that the subject is high when true; the absence of a plus sign indicates that the signal is low when true.

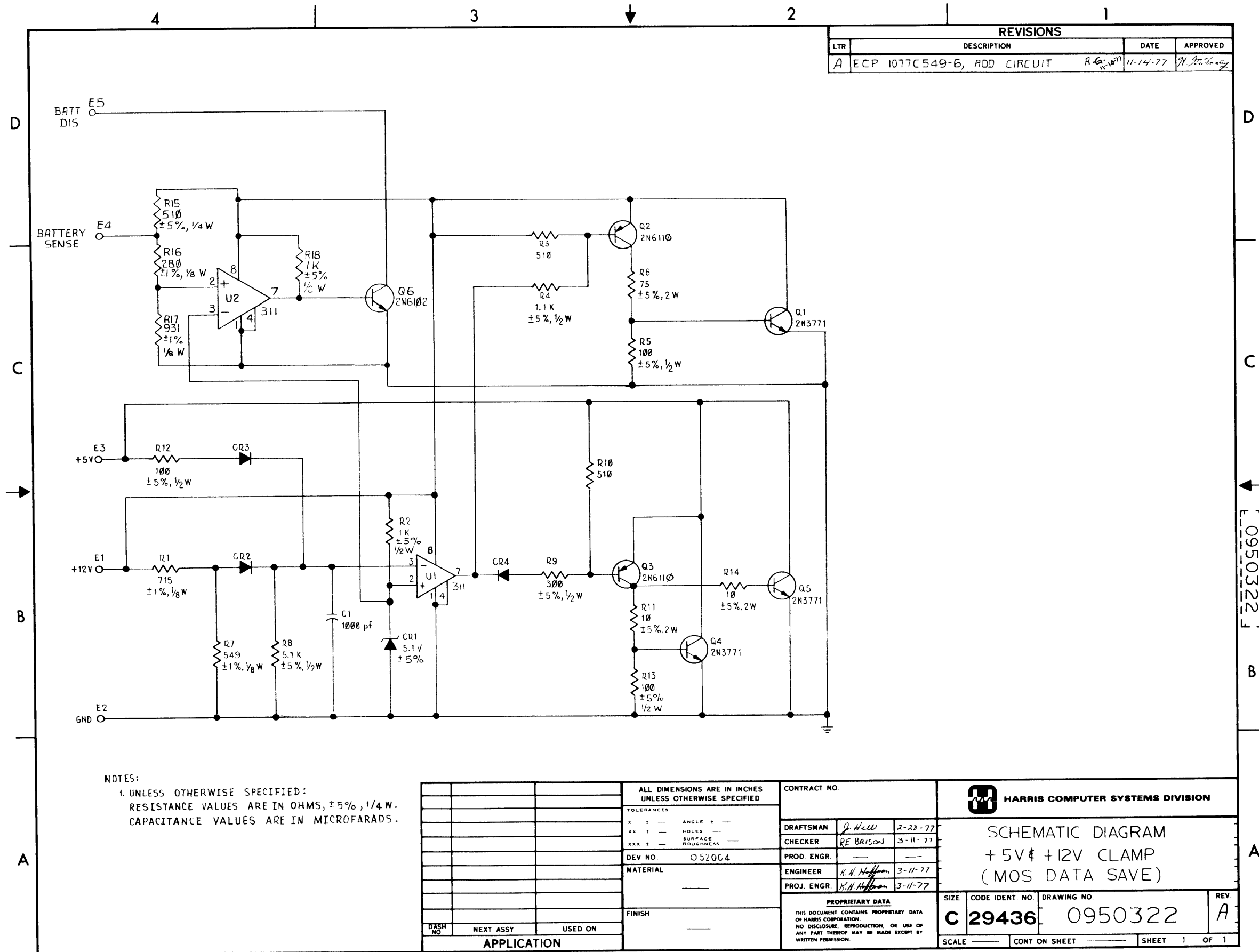
The letter "O" preceding the mnemonic label indicates the designated signal's point of origin. A letter "Q" indicates an open-collector, or "WIRED-OR", circuit output.

2-4 LOGIC/SCHEMATIC DRAWING INDEX

The following drawings are included in this section.

Drawing Number	Title/Description	Drawing Sheets / Revision	Manual Revision	Page Number
0950322	Schematic Diagram +5V & +12V Clamp (MOS Data Save)	1 A	103	2-3
0970039	Logic Diagram Priority Interrupt Terminator	3 -	102	2-4
0970113	Logic Diagram Interval Timer	3 B	102	2-7
0970115	Logic Diagram Option Board	6 K	103	2-10
0970116	Logic Diagram 8 Level Priority Interrupt	3 -	102	2-16
0970117	Logic Diagram Program Restrict	4 E	102	2-19
0970120	Logic Diagram Address Trap	2 B	102	2-23
0970125	Detailed Logic Diagram Programmers Control Panel	2 B	102	2-25
0970223	Logic Diagram Virtual Memory	11 E	103	2-27
0970236	Logic Diagram CPU 1 Mainframe (See Note 1)	20 P	103	2-38
0970242	Logic Diagram Power Fail Shutdown/Restart 100/120 Hz Clock	2 C	102	2-58
0970249	Logic Diagram Backplane Terminator	1 A	102	2-60
0970250	Logic Diagram Turnkey Control Panel	2 A	102	2-61
0970276	Logic Diagram Schematic AC Power Distribution Unit	1 A	102	2-63
0970292	Logic Diagram Logic Diagram SAU Interface	12 J	103	2-64
0970294	Logic Diagram I/O Port (Single)	5 A	102	2-76
0970296	Logic Diagram I/O Interface	5 B	103	2-82
0970309	Schematic Diagram Power Fail Shutdown/Restart	3 B	103	2-87
0970313	Schematic Diagram MOS Data Save Module	2 C	103	2-90
0970328	Logic Diagram Backplane Terminator	1 -	102	2-92
0970334	Logic Diagram CPU-1 (See Note 1)	20 H	103	2-93

Note 1: Last 3 digits of Logic Diagram must correspond to the last 3 digits of number marked on CPU Printed - Circuit Assembly.



REVISIONS			
LTR	DESCRIPTION	DATE	APPROVED
A	ECP 1077C549-6, ADD CIRCUIT	11-14-77	<i>[Signature]</i>

NOTES:
1. UNLESS OTHERWISE SPECIFIED:
RESISTANCE VALUES ARE IN OHMS, ±5%, 1/4 W.
CAPACITANCE VALUES ARE IN MICROFARADS.

APPLICATION		
DASH NO	NEXT ASSY	USED ON

TOLERANCES		
X	±	ANGLE ±
XX	±	HOLES ±
XXX	±	SURFACE ROUGHNESS ±
DEV NO. 052004		
MATERIAL		
FINISH		

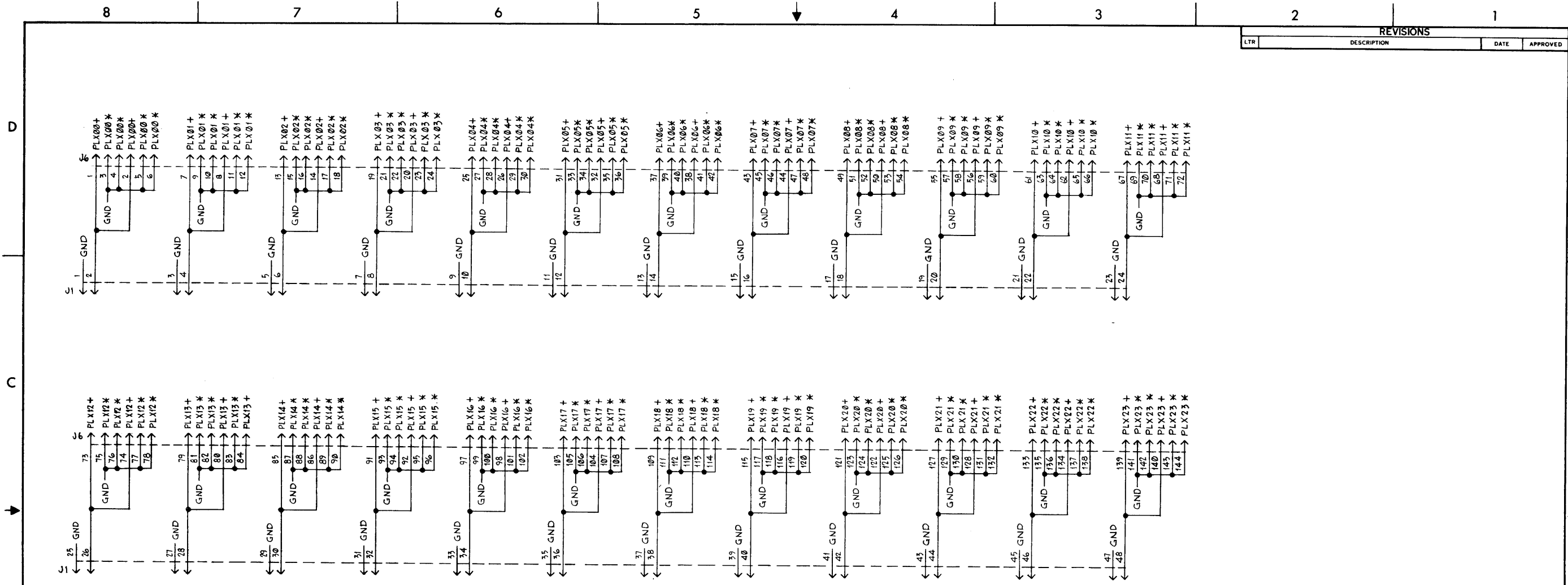
CONTRACT NO.		
DRAFTSMAN	<i>J. Hill</i>	2-28-77
CHECKER	<i>RE BRISON</i>	3-11-77
PROD. ENGR.		
ENGINEER	<i>H. H. Hoffman</i>	3-11-77
PROJ. ENGR.	<i>K. H. Hoffman</i>	3-11-77
<small>PROPRIETARY DATA</small> <small>THIS DOCUMENT CONTAINS PROPRIETARY DATA OF HARRIS CORPORATION. NO DISCLOSURE, REPRODUCTION, OR USE OF ANY PART THEREOF MAY BE MADE EXCEPT BY WRITTEN PERMISSION.</small>		
SIZE	CODE IDENT. NO.	DRAWING NO.
C	29436	0950322
SCALE	CONT ON SHEET	SHEET 1 OF 1



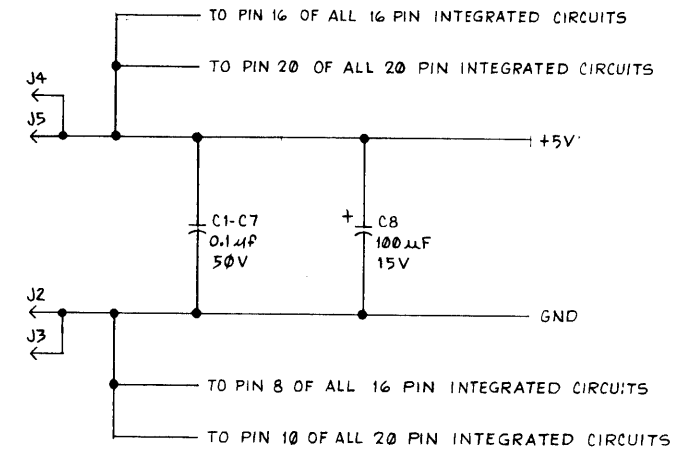
SCHMATIC DIAGRAM
+5V & +12V CLAMP
(MOS DATA SAVE)

0950322

REVISIONS		
LTR	DESCRIPTION	DATE

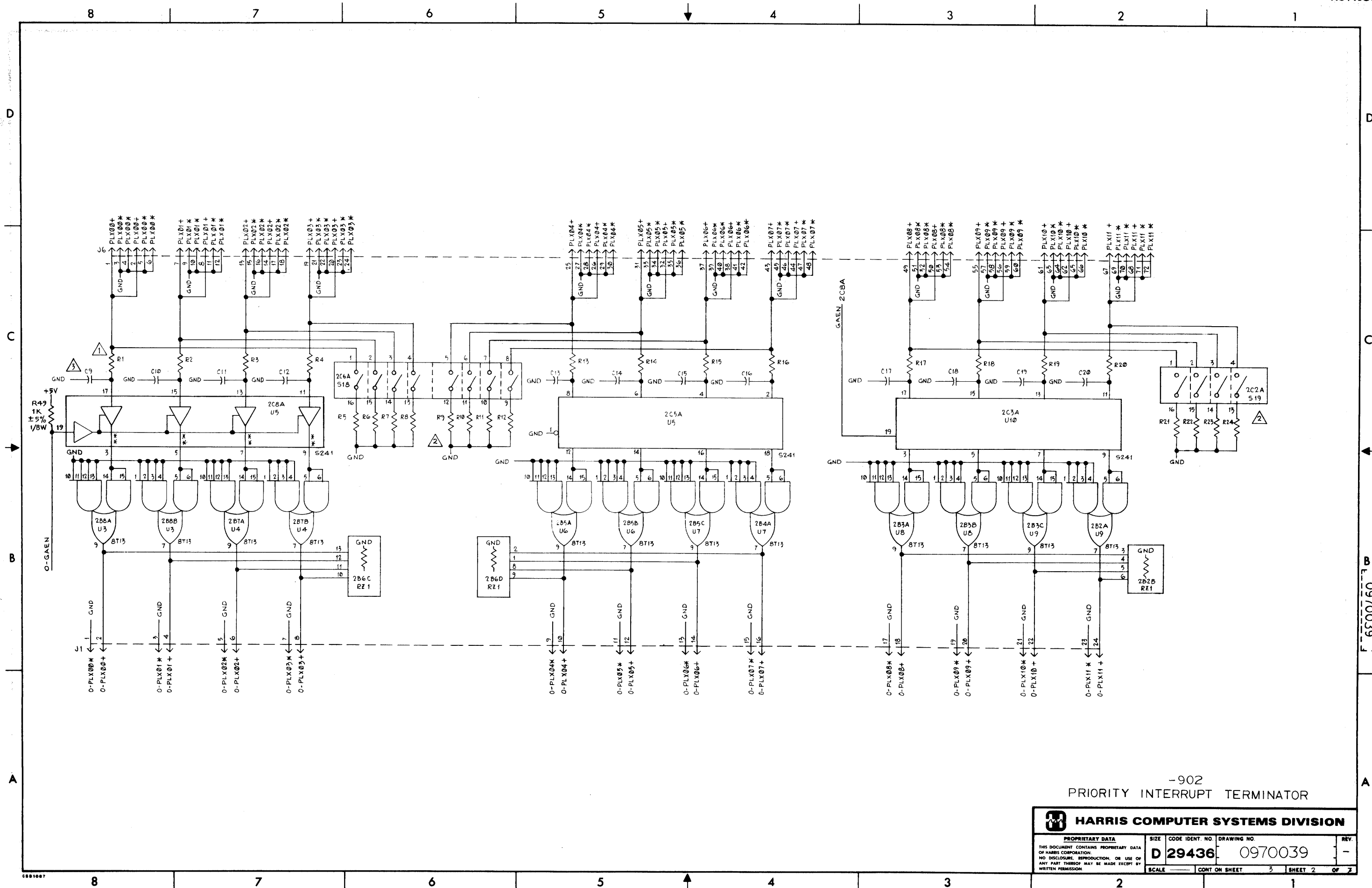


-901



- NOTES:
- RESISTORS R1-R4, R13-R20, R29-R36, R45-R48 VALUES ARE 1K, ±5%, 1/4 W.
 - RESISTORS R5-R12, R21-R28, R37-R44 VALUES ARE 100 OHMS, ±5%, 1/4 W.
 - CAPACITORS C9-C32 VALUES ARE 100 PF, 1KV.
 - RESISTOR PACKS RZ1 & RZ2 VALUES ARE 100 OHMS TO GND.

ALL DIMENSIONS ARE IN INCHES UNLESS OTHERWISE SPECIFIED		HARRIS COMPUTER SYSTEMS DIVISION	
TOLERANCES		DRAFTSMAN <i>K. HUGHES</i> 5/28/76	
X ± ANGLE ±		CHECKER <i>W.R. SKUCHES</i> 6-17-76	
HOLE ±		PROD. ENGR	
SURFACE ±		ENGINEER	
ROUGHNESS ±		PROJ. ENGR	
DEV NO 43001		PROPRIETARY DATA	
MATERIAL		THIS DOCUMENT CONTAINS PROPRIETARY DATA OF HARRIS CORPORATION. NO DISCLOSURE, REPRODUCTION, OR USE OF ANY PART THEREOF MAY BE MADE EXCEPT BY WRITTEN PERMISSION.	
FINISH		SIZE	CODE IDENT NO
APPLICATION		D 29436	DRAWING NO
			0970039
		SCALE	CONT ON SHEET
			2
		SHEET	1
		OF	3

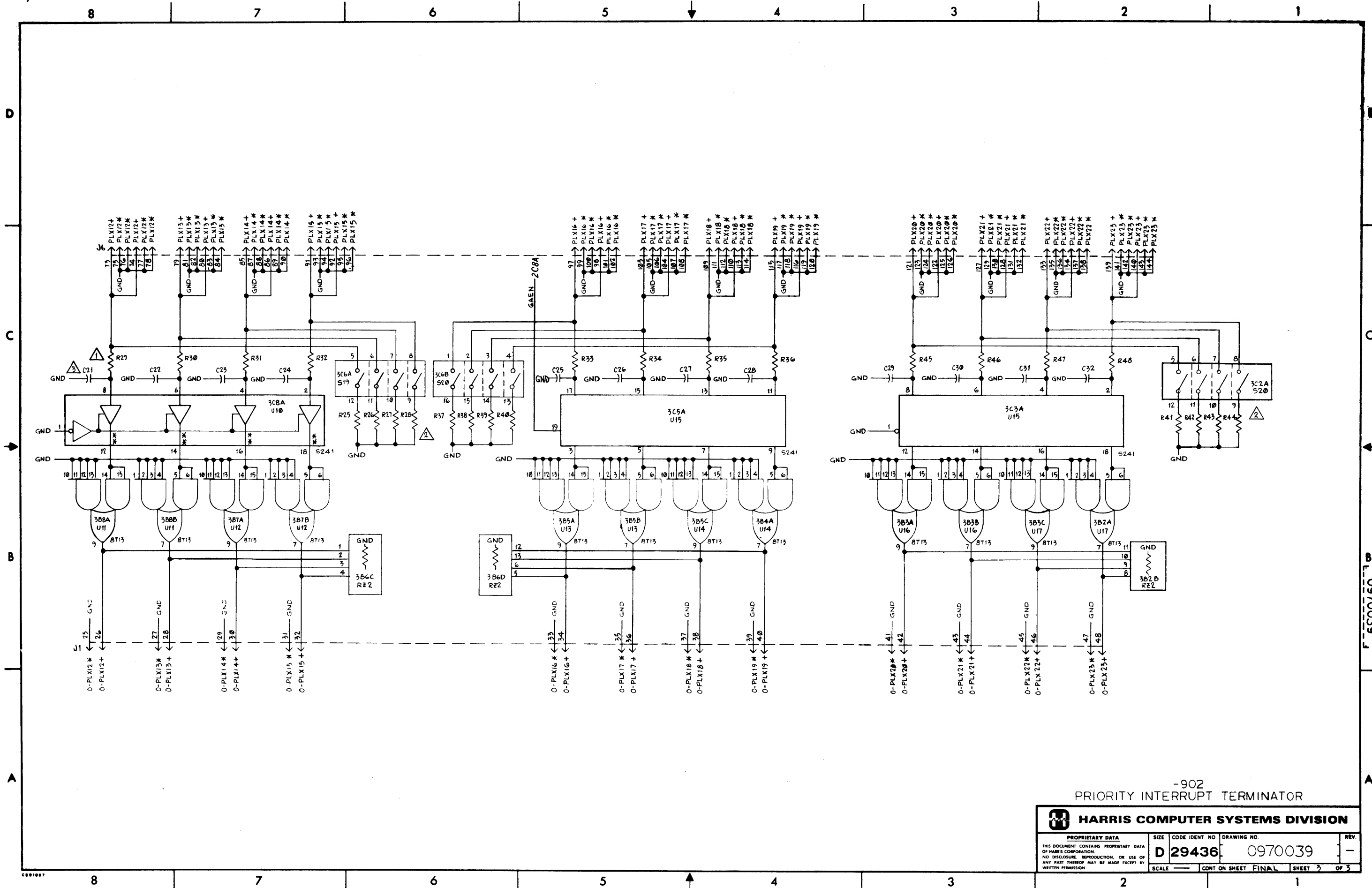


-902
PRIORITY INTERRUPT TERMINATOR

HARRIS COMPUTER SYSTEMS DIVISION

PROPRIETARY DATA
THIS DOCUMENT CONTAINS PROPRIETARY DATA OF HARRIS CORPORATION. NO DISCLOSURE, REPRODUCTION, OR USE OF ANY PART THEREOF MAY BE MADE EXCEPT BY WRITTEN PERMISSION.

SIZE	CODE IDENT. NO.	DRAWING NO.	REV.
D	29436	0970039	-
SCALE		CONT ON SHEET	SHEET 2 OF 2

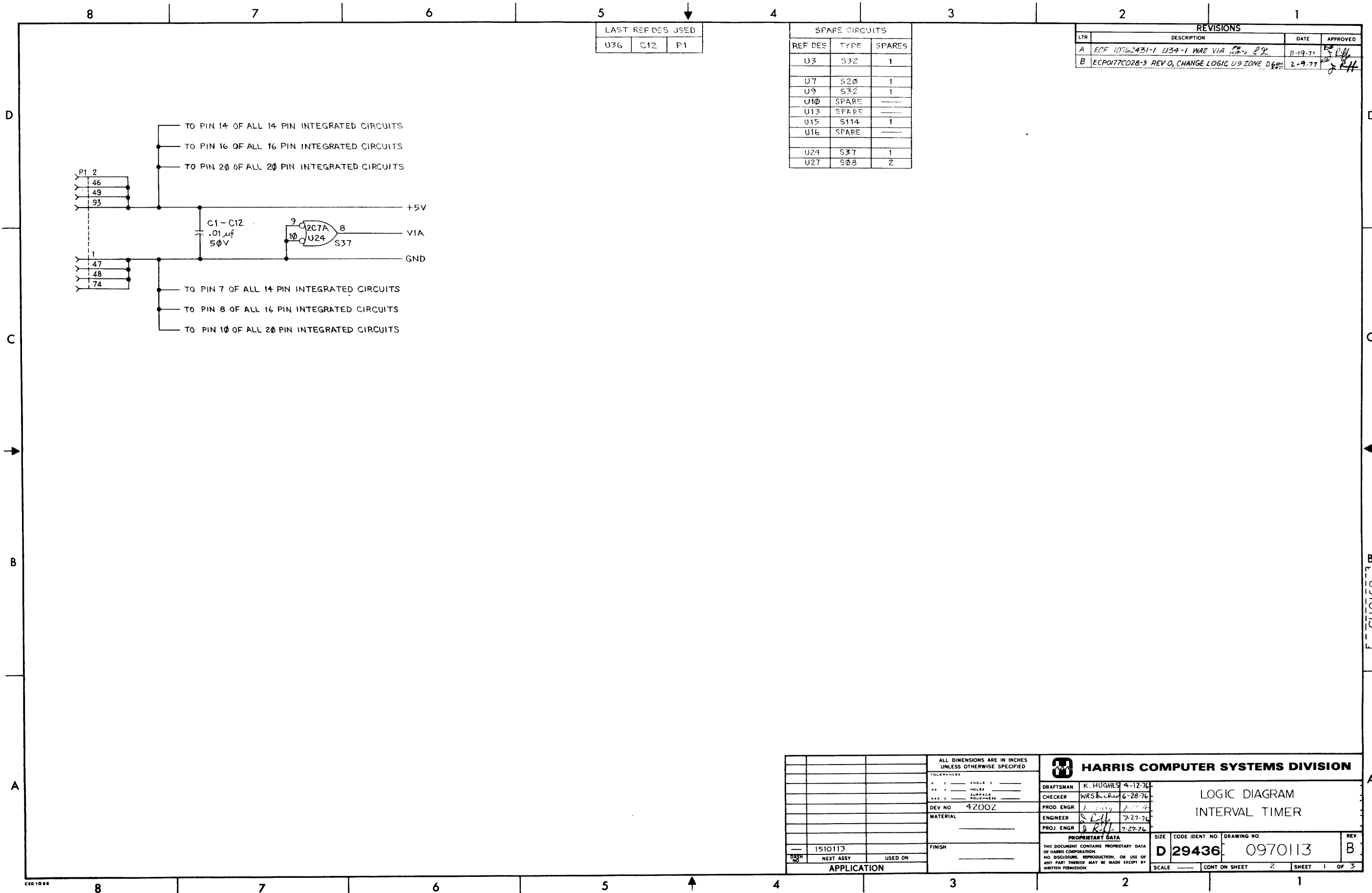


-902
 PRIORITY INTERRUPT TERMINATOR

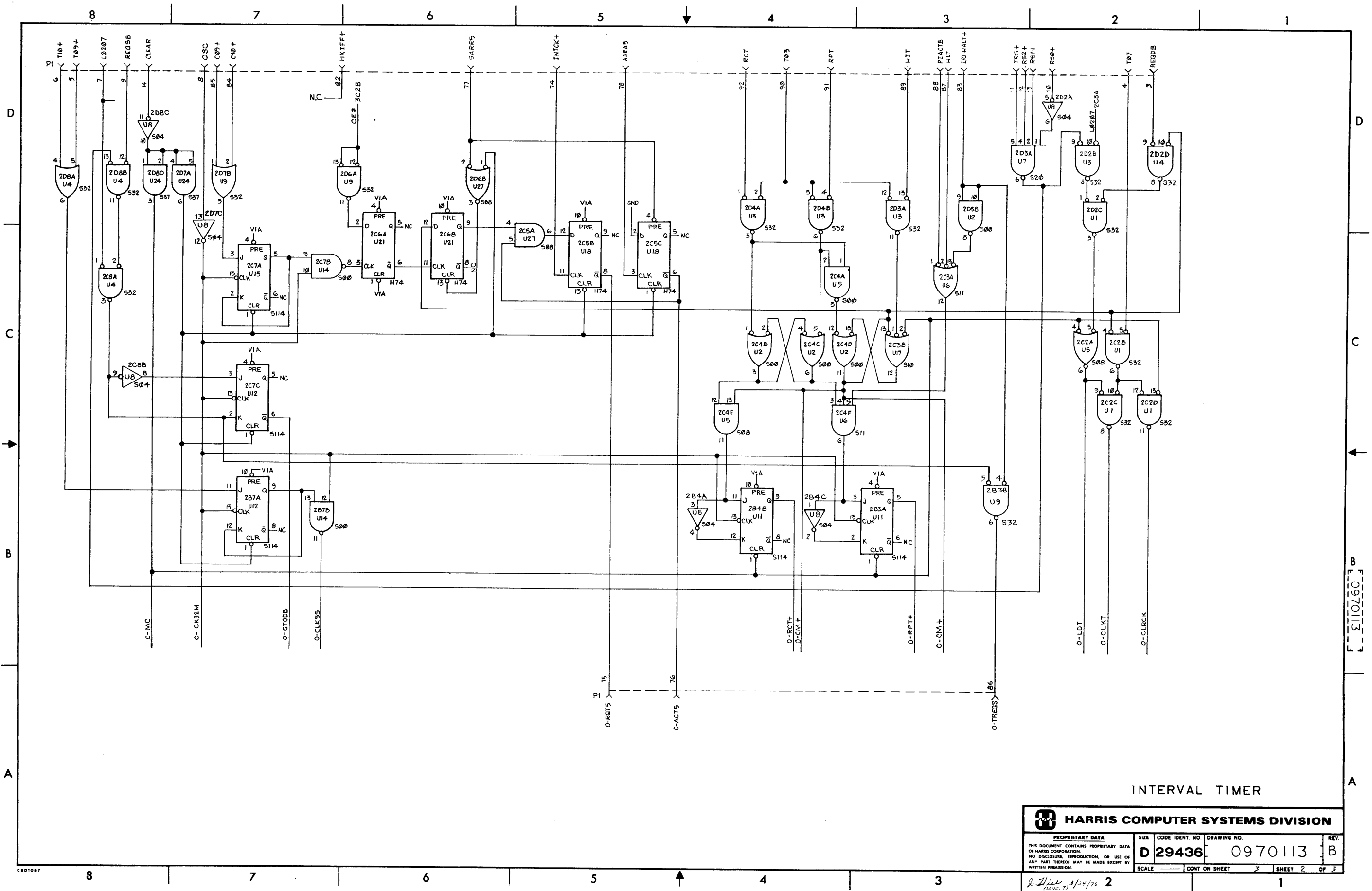
HARRIS COMPUTER SYSTEMS DIVISION

PROPRIETARY DATA
 THIS DOCUMENT CONTAINS PROPRIETARY DATA OF HARRIS CORPORATION. NO DISCLOSURE, REPRODUCTION, OR USE OF ANY PART THEREOF MAY BE MADE EXCEPT BY WRITTEN PERMISSION.

SIZE	CODE IDENT. NO.	DRAWING NO.	REV.
D 29436	0970039		-
SCALE		CONT ON SHEET	FINAL
		SHEET 3	OF 3

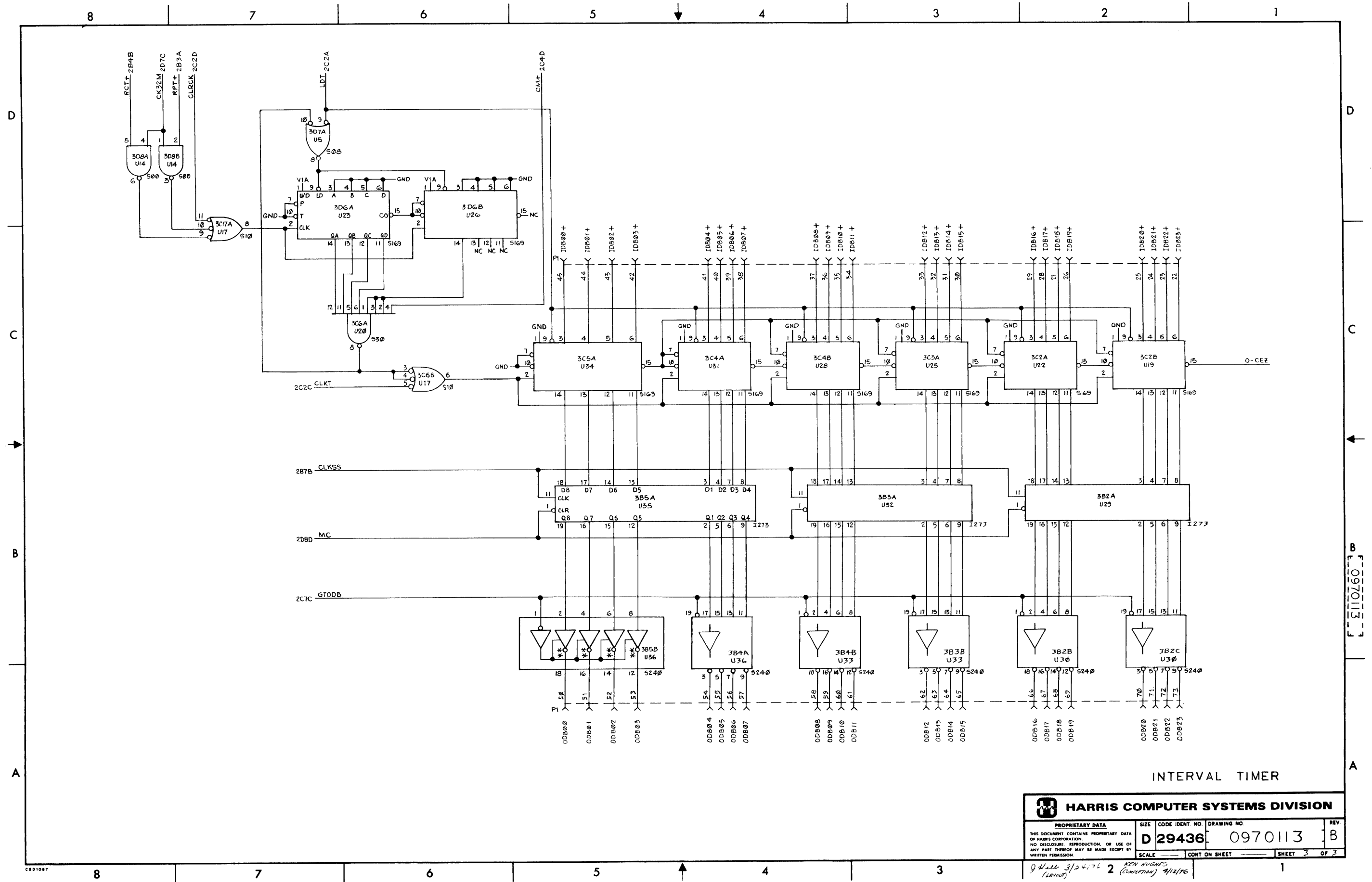


ALL DIMENSIONS ARE IN INCHES UNLESS OTHERWISE SPECIFIED		HARRIS COMPUTER SYSTEMS DIVISION	
TOLERANCES		DRAFTSMAN	K. HUGHES 4-12-76
± .010	ANGLE	CHECKER	WRS 6-28-76
± .005	HOLE	DEV NO	42002
± .002	SURFACE FINISHNESS	ENGINEER	[Signature] 7-27-76
		PROJ. ENGR	[Signature] 7-27-76
MATERIAL		PROPRIETARY DATA	
FINISH		THIS DOCUMENT CONTAINS PROPRIETARY DATA OF HARRIS CORPORATION. NO DISCLOSURE, REPRODUCTION, OR USE OF ANY PART THEREOF MAY BE MADE EXCEPT BY WRITTEN PERMISSION.	
1510113	APPLICATION	SIZE	D 29436
NEXT ASSY	USED ON	CODE IDENT NO	0970113
		DRAWING NO	0970113
		REV	B
		SCALE	CONT ON SHEET 2 SHEET 1 OF 3



HARRIS COMPUTER SYSTEMS DIVISION			
PROPRIETARY DATA			
THIS DOCUMENT CONTAINS PROPRIETARY DATA OF HARRIS CORPORATION. NO DISCLOSURE, REPRODUCTION, OR USE OF ANY PART THEREOF MAY BE MADE EXCEPT BY WRITTEN PERMISSION.			
SIZE	CODE IDENT. NO.	DRAWING NO.	REV.
D	29436	0970113	B
SCALE		CONT ON SHEET	SHEET 2 OF 3

2. Lisc (LAW. T) 2/24/76 2

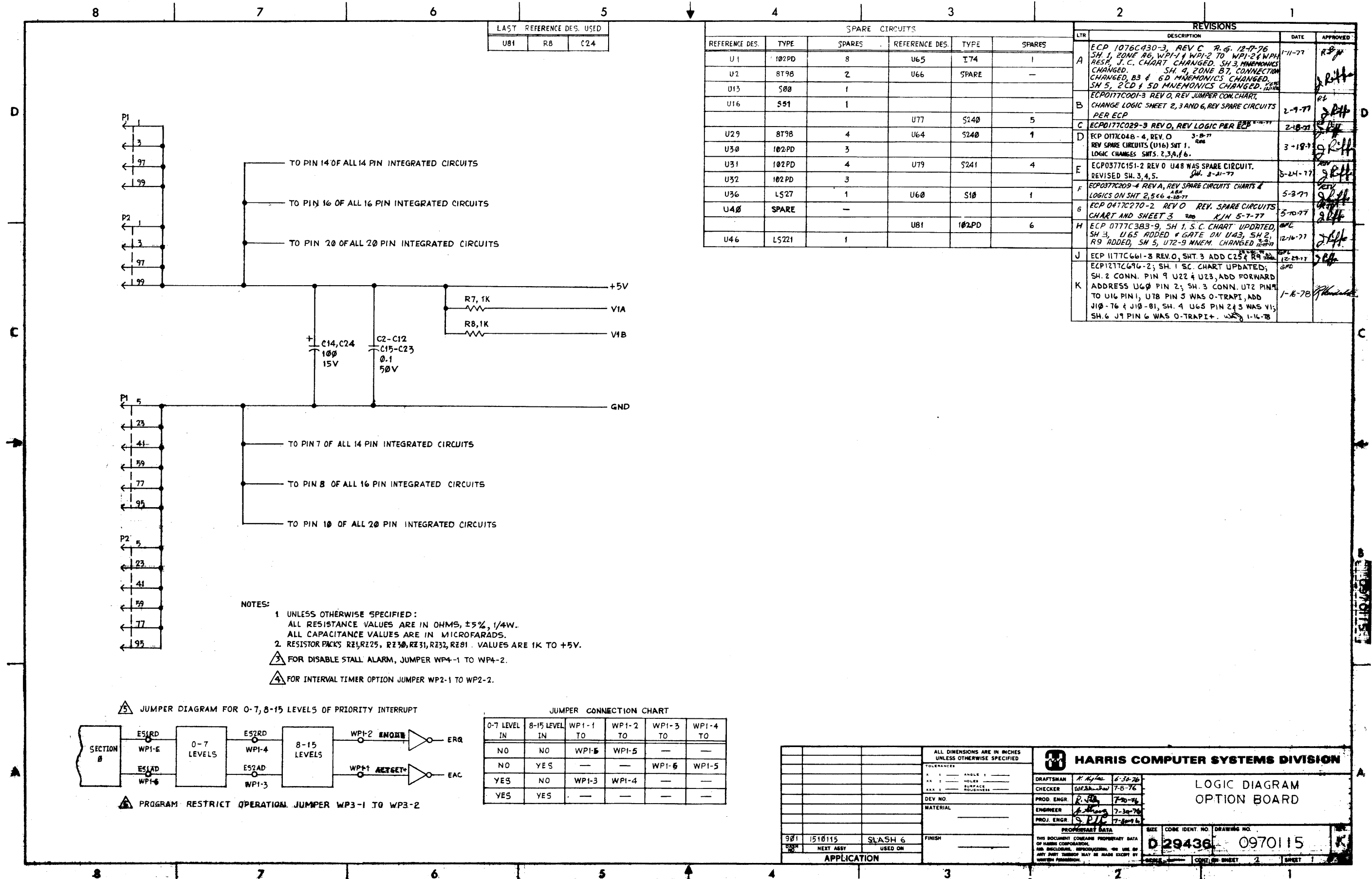


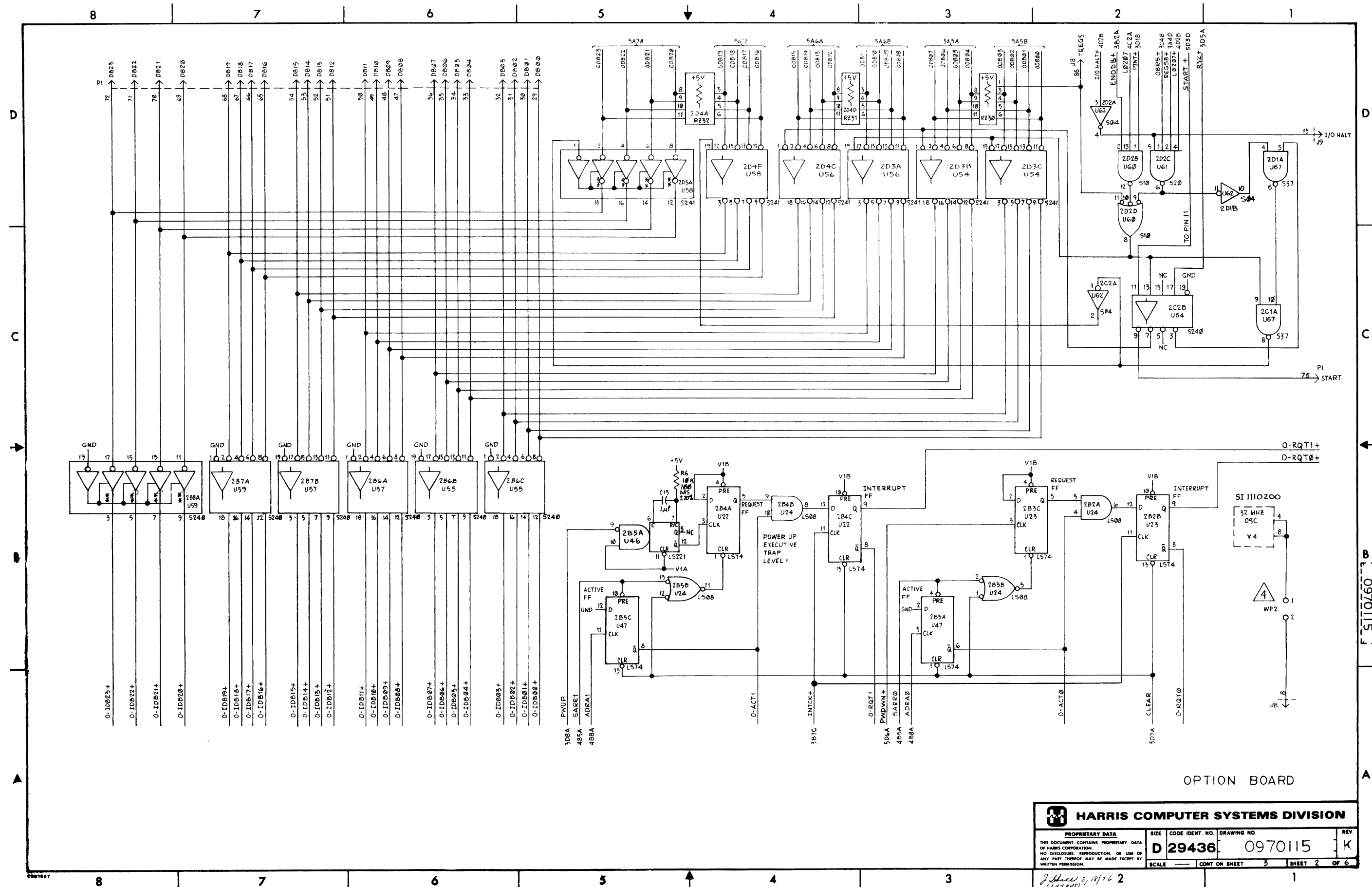
INTERVAL TIMER

HARRIS COMPUTER SYSTEMS DIVISION

PROPRIETARY DATA	SIZE	CODE IDENT. NO.	DRAWING NO.	REV.
THIS DOCUMENT CONTAINS PROPRIETARY DATA OF HARRIS CORPORATION. NO DISCLOSURE, REPRODUCTION, OR USE OF ANY PART THEREOF MAY BE MADE EXCEPT BY WRITTEN PERMISSION.	D 29436	0970113	B	B
SCALE	CONT. ON SHEET	SHEET	OF	3

9/24/76 2 *KEN AUGUSTS (LAYOUT)* *4/12/76*

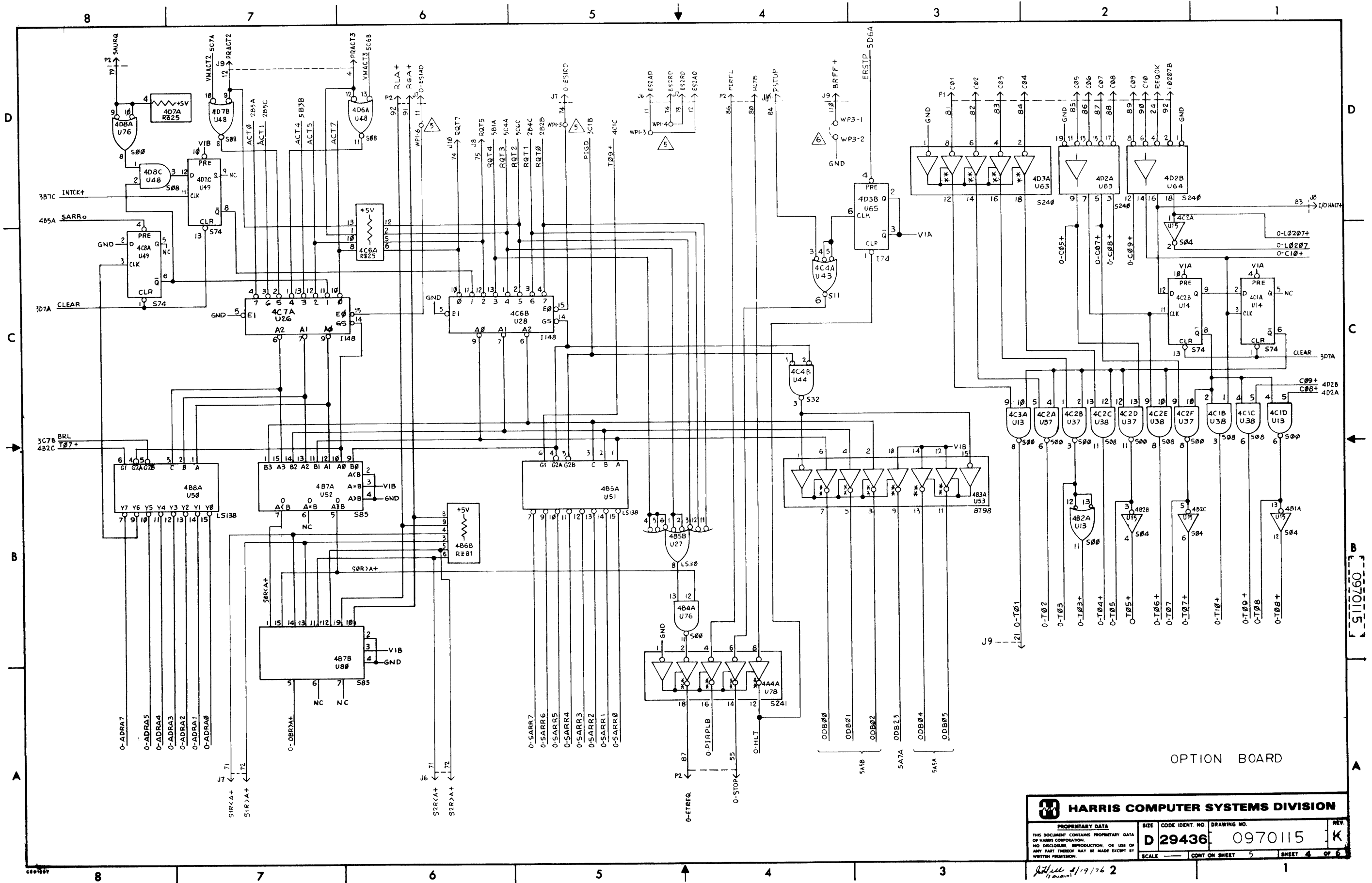




OPTION BOARD

HARRIS COMPUTER SYSTEMS DIVISION			
PROPRIETARY DATA THIS DOCUMENT CONTAINS PROPRIETARY DATA OF HARRIS CORPORATION. NO DISCLOSURE, REPRODUCTION, OR USE OF ANY PART THEREOF MAY BE MADE EXCEPT BY WRITTEN PERMISSION.			
SIZE	CODE IDENT. NO.	DRAWING NO.	REV.
D	29436	0970115	K
SCALE	CONT ON SHEET	SHEET	OF
	3	2	6

J. Hill 3/18/76



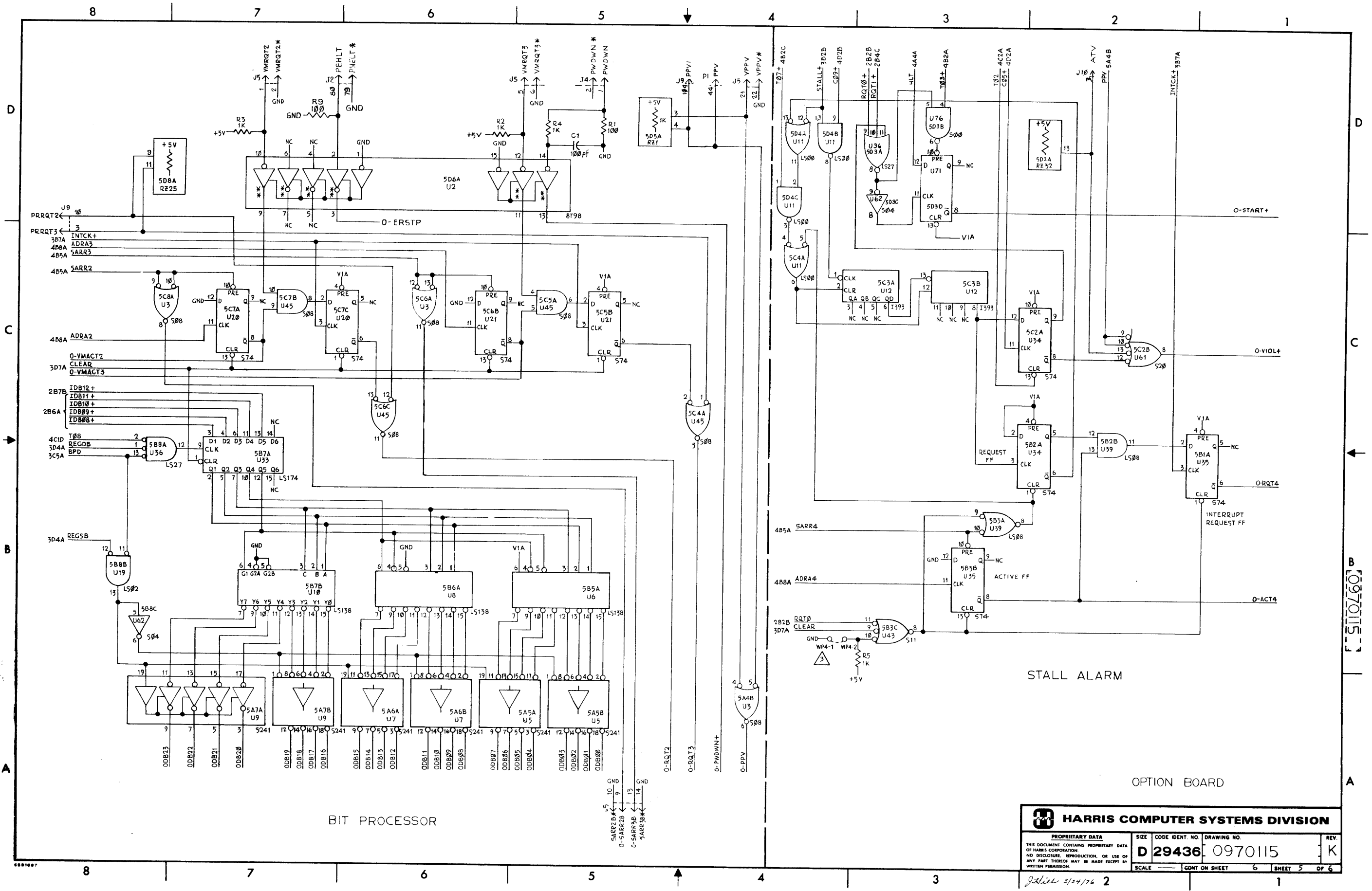
HARRIS COMPUTER SYSTEMS DIVISION

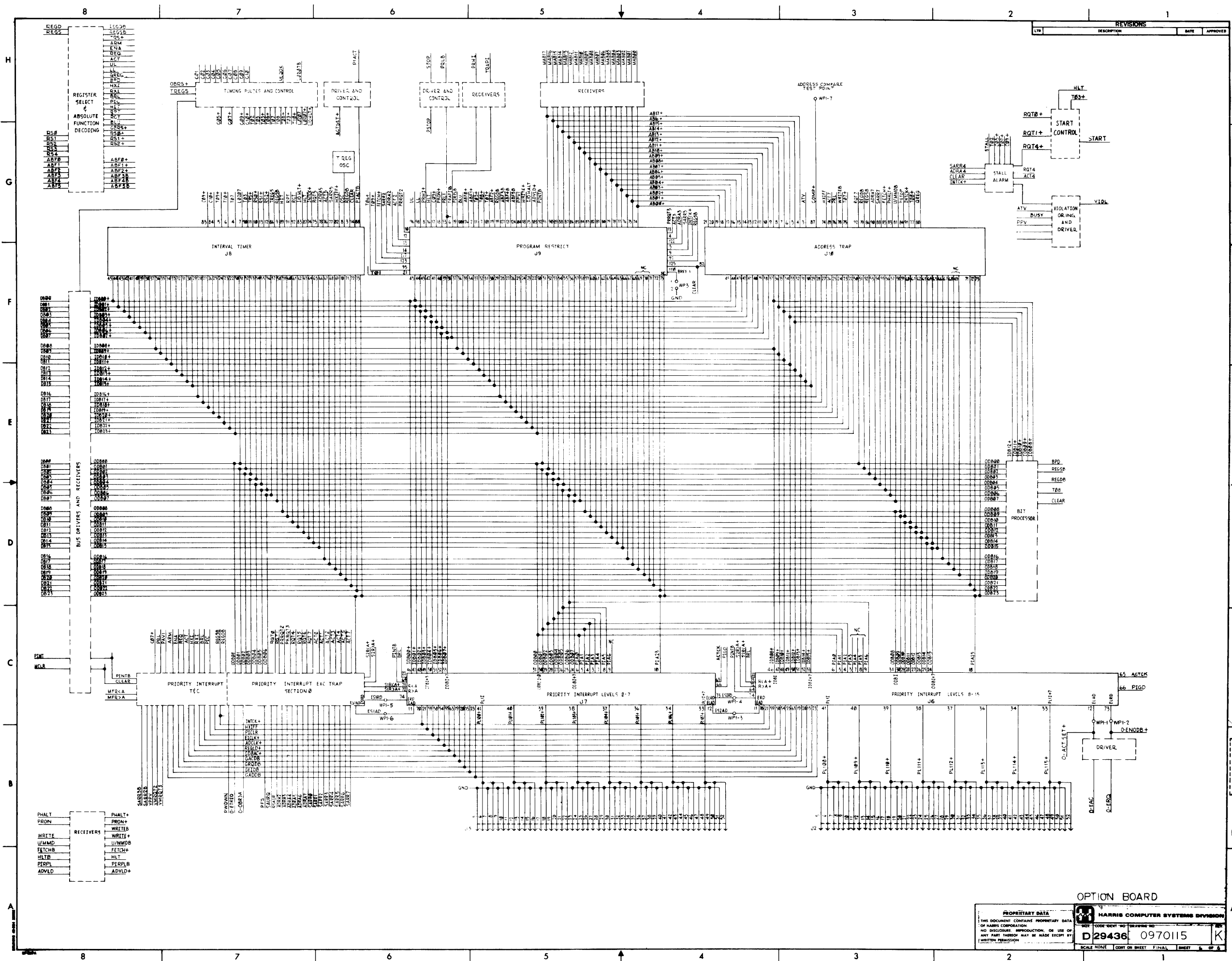
PROPRIETARY DATA

THIS DOCUMENT CONTAINS PROPRIETARY DATA OF HARRIS CORPORATION. NO DISCLOSURE, REPRODUCTION, OR USE OF ANY PART THEREOF MAY BE MADE EXCEPT BY WRITTEN PERMISSION.

SIZE	CODE IDENT. NO.	DRAWING NO.	REV.
D 29436		0970115	K

SCALE _____ CONT. ON SHEET 5 SHEET 4 OF 6





OPTION BOARD

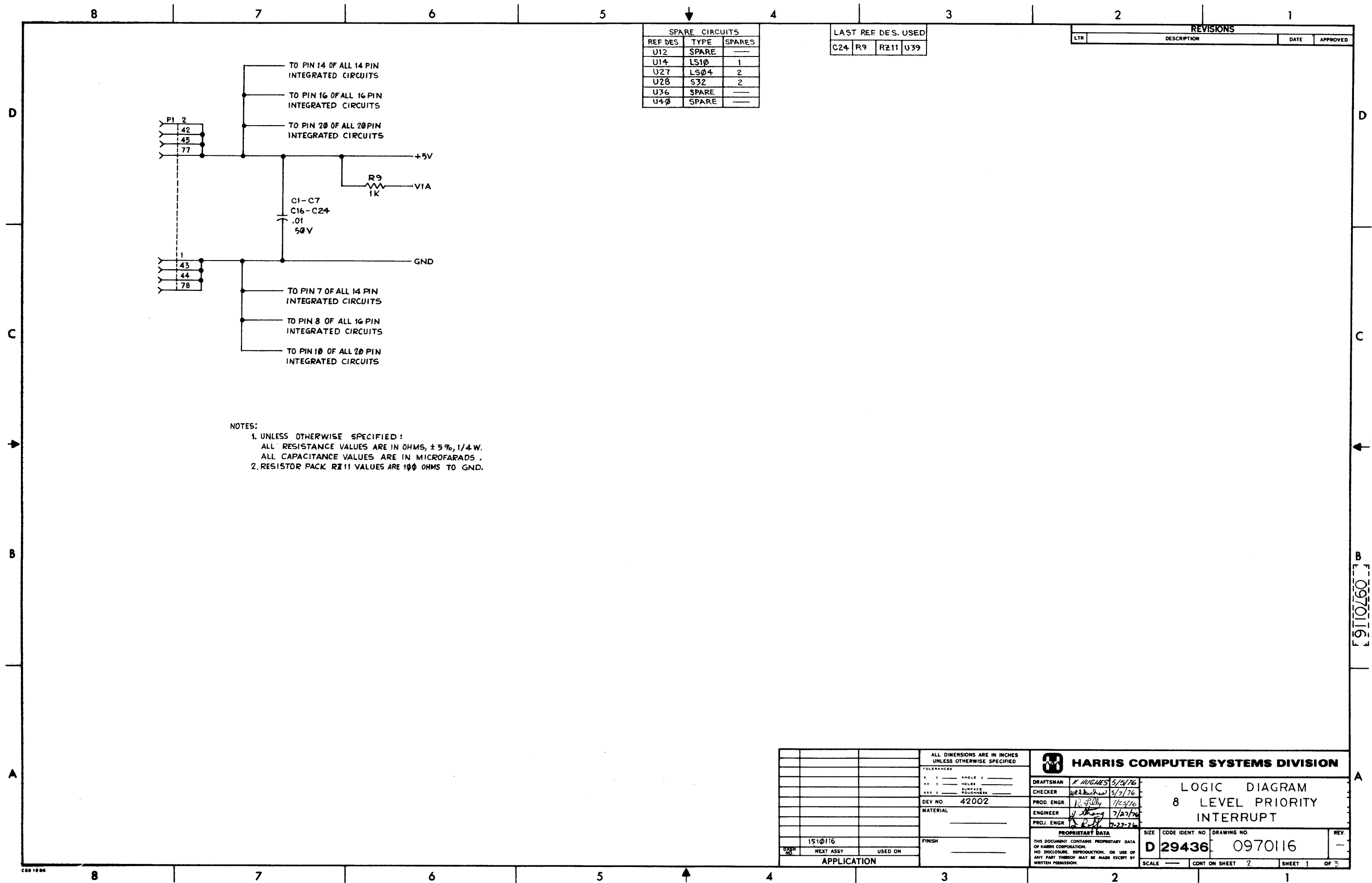
PROPRIETARY DATA

HARRIS COMPUTER SYSTEMS DIVISION

NO DISCLOSURE, REPRODUCTION, OR USE OF ANY PART THEREOF MAY BE MADE EXCEPT BY WRITTEN PERMISSION

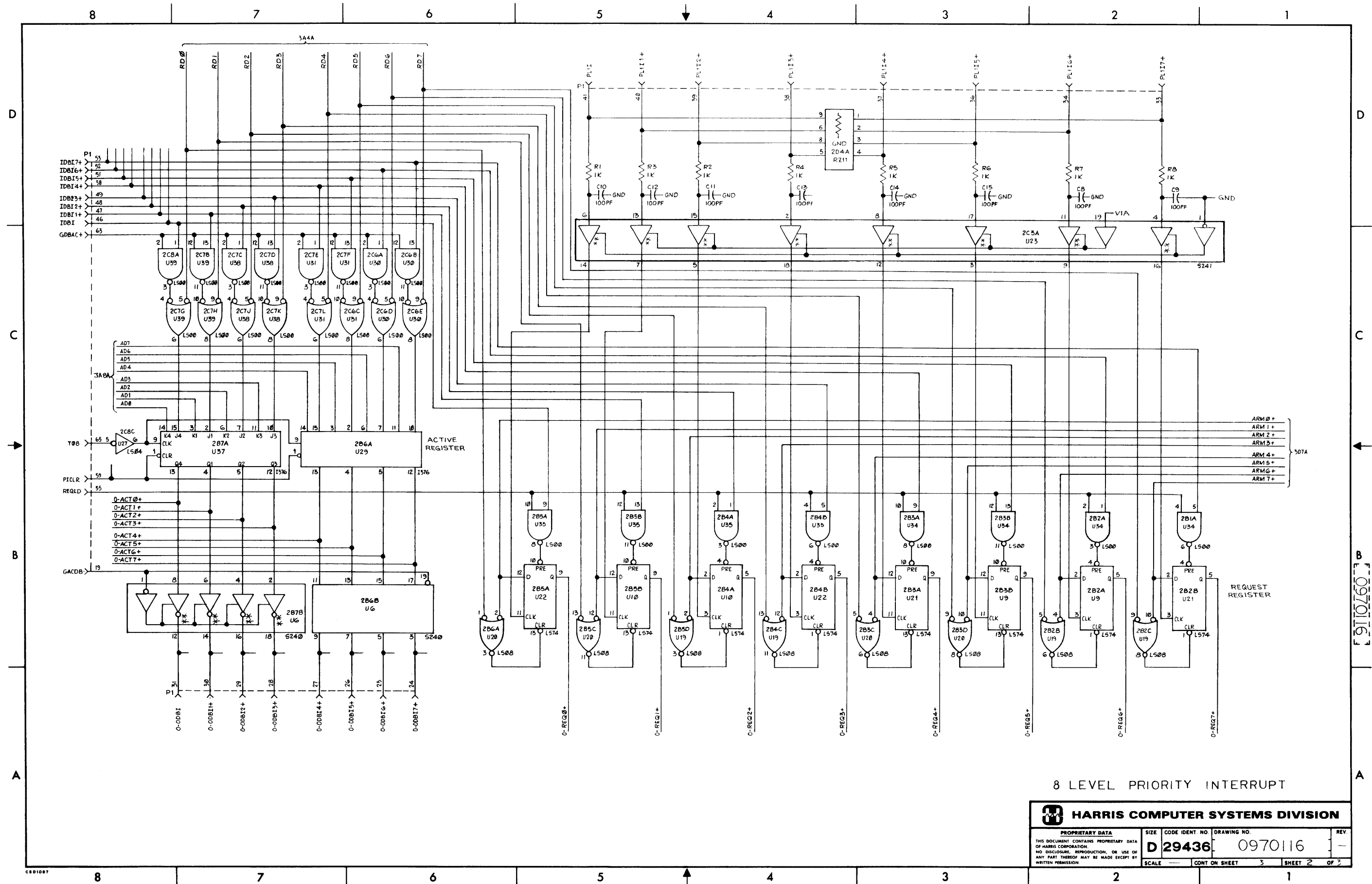
D 29436 0970115 K

SCALE NONE COPY ON SHEET FINAL SHEET 6 OF 6



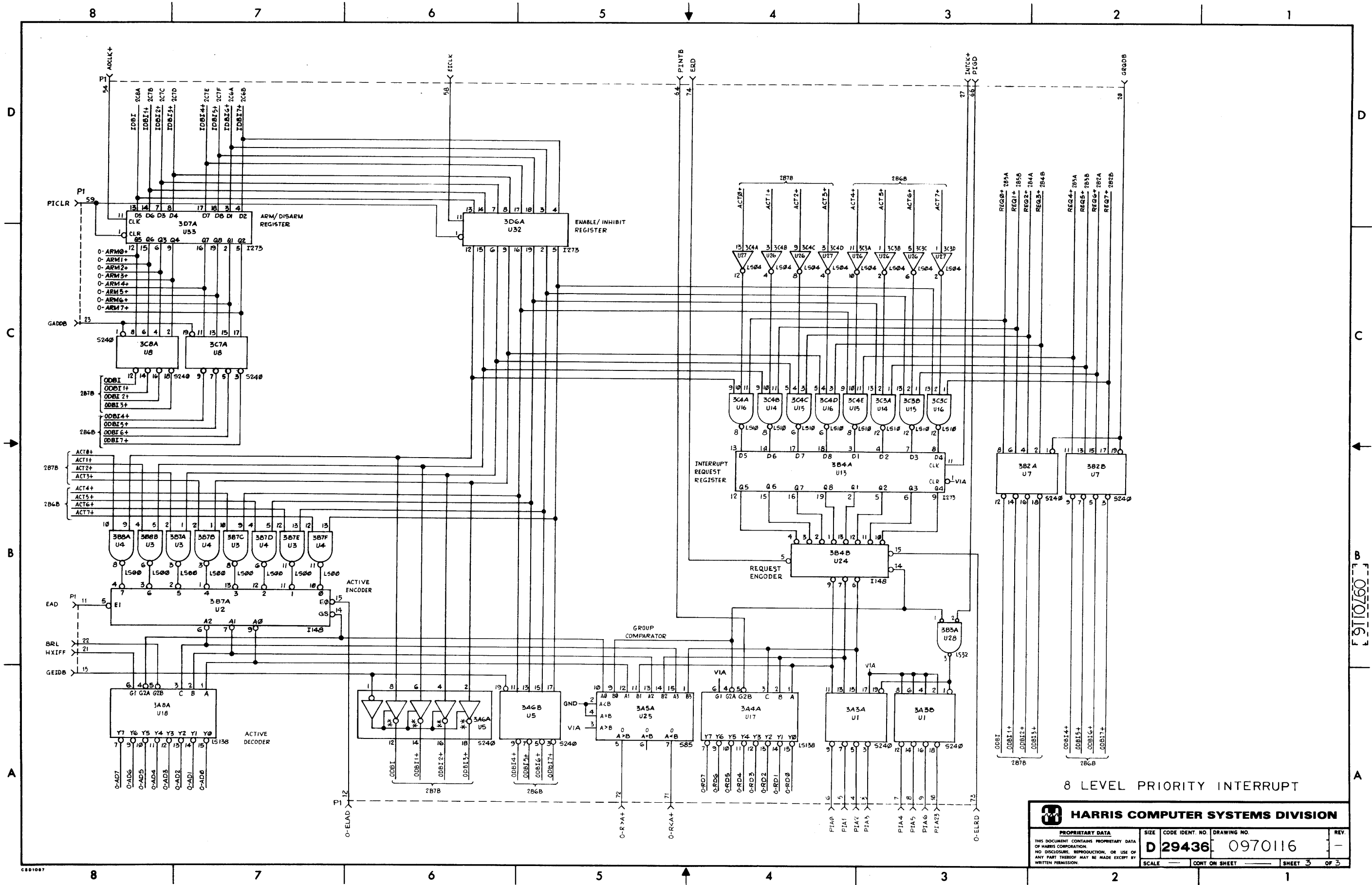
0970116

ALL DIMENSIONS ARE IN INCHES UNLESS OTHERWISE SPECIFIED		HARRIS COMPUTER SYSTEMS DIVISION	
TOLERANCES X .1 — HOLE ± .005 — SURFACE .001 — HOLE ±		DRAFTSMAN <i>F. HUGHES</i> 5/15/76	LOGIC DIAGRAM
DEV NO. 42002		CHECKER <i>W. J. ...</i> 5/17/76	8 LEVEL PRIORITY INTERRUPT
MATERIAL		PROD. ENGR. <i>R. Kelly</i> 7/23/76	ENGINEER <i>J. ...</i> 7/27/76
FINISH		PROJ. ENGR. <i>R. Kelly</i> 7-27-76	PROJ. ENGR.
APPLICATION		PROPRIETARY DATA THIS DOCUMENT CONTAINS PROPRIETARY DATA OF HARRIS CORPORATION. NO DISCLOSURE, REPRODUCTION, OR USE OF ANY PART THEREOF MAY BE MADE EXCEPT BY WRITTEN PERMISSION.	
1510116	1510116	SIZE D 29436	CODE IDENT. NO. 0970116
		SCALE	DRAWING NO. 0970116
		CONT ON SHEET 2	SHEET 1 OF 3



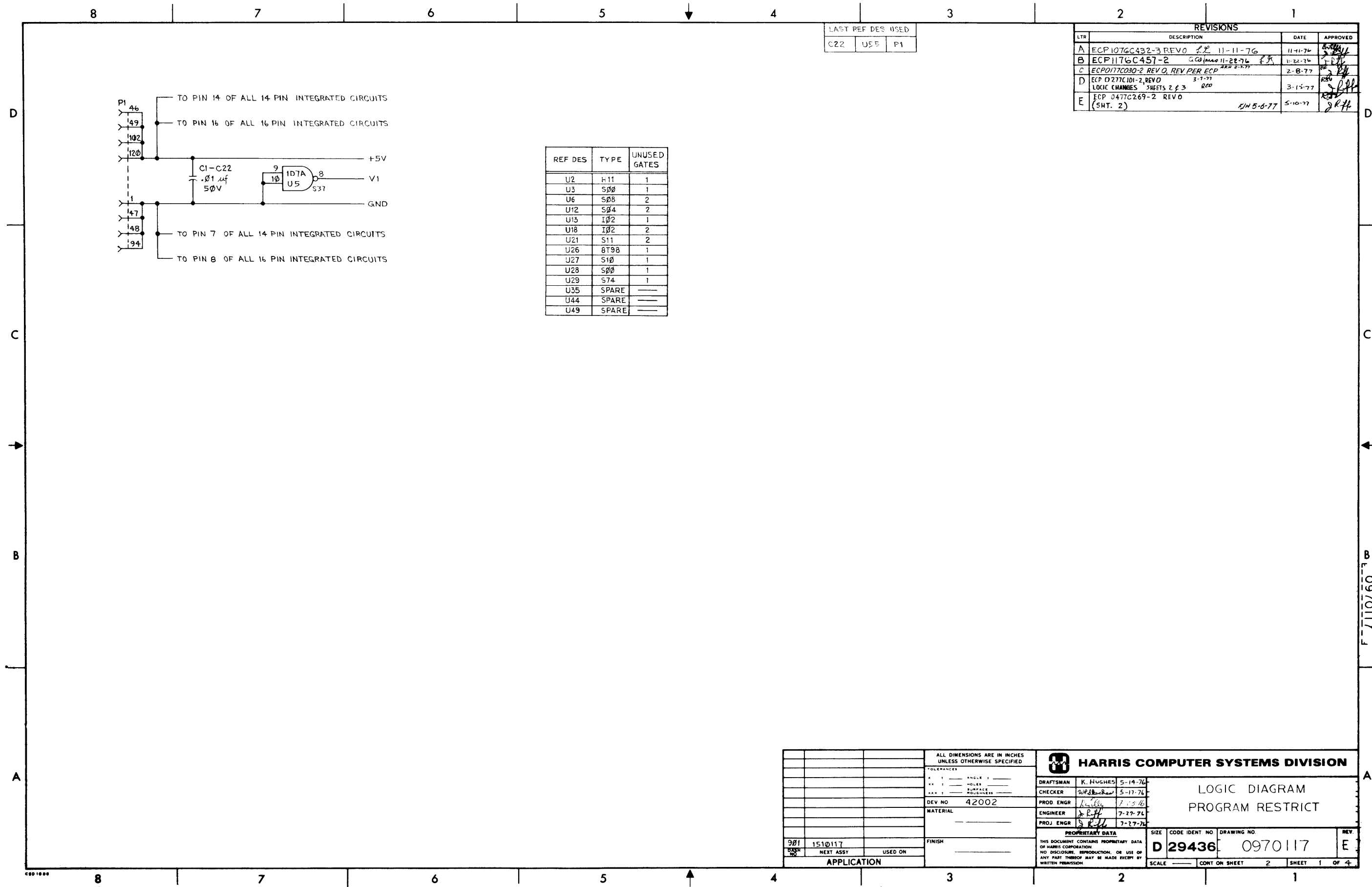
8 LEVEL PRIORITY INTERRUPT

HARRIS COMPUTER SYSTEMS DIVISION			
PROPRIETARY DATA THIS DOCUMENT CONTAINS PROPRIETARY DATA OF HARRIS CORPORATION. NO DISCLOSURE, REPRODUCTION, OR USE OF ANY PART THEREOF MAY BE MADE EXCEPT BY WRITTEN PERMISSION.	SIZE D 29436	CODE IDENT NO 0970116	DRAWING NO. 0970116
SCALE	CONT ON SHEET	3	SHEET 2 OF 3



8 LEVEL PRIORITY INTERRUPT

HARRIS COMPUTER SYSTEMS DIVISION			
PROPRIETARY DATA THIS DOCUMENT CONTAINS PROPRIETARY DATA OF HARRIS CORPORATION. NO DISCLOSURE, REPRODUCTION, OR USE OF ANY PART THEREOF MAY BE MADE EXCEPT BY WRITTEN PERMISSION.			
SIZE	CODE IDENT. NO.	DRAWING NO.	REV.
D	29436	0970116	-
SCALE	CONT ON SHEET	SHEET 3	OF 3

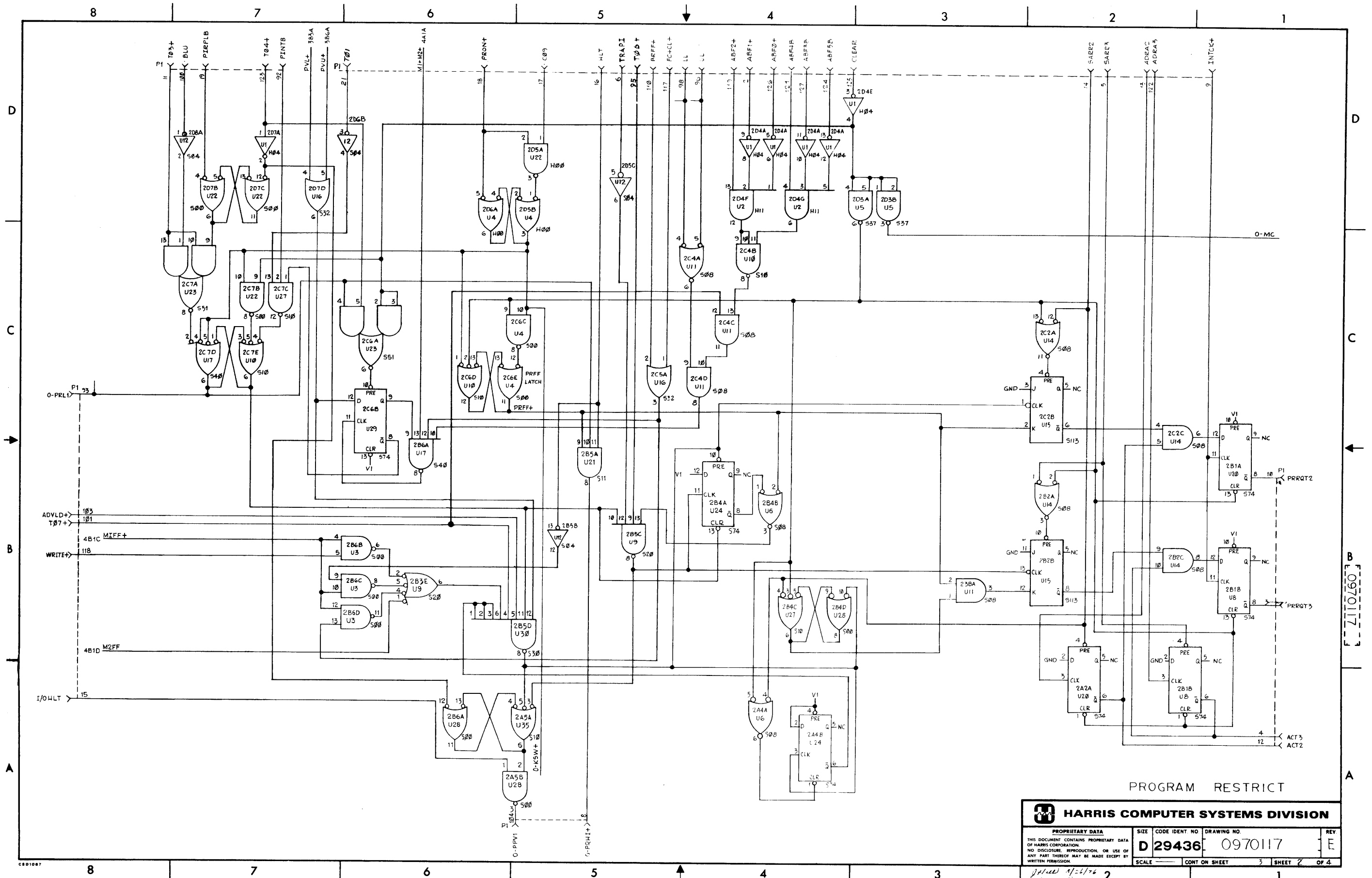


LAST REF DES USED		
C22	U55	P1

REVISIONS			
LTR	DESCRIPTION	DATE	APPROVED
A	ECP1076C432-3 REV0 22 11-11-76	11-11-76	[Signature]
B	ECP1176C451-2 GGP/mso 11-28-76 6X	11-28-76	[Signature]
C	ECP0177C030-2 REV0, REV PER ECP 2-8-77	2-8-77	[Signature]
D	ECP D277C101-2, REV0 LOGIC CHANGES SHEETS 2 & 3 3-15-77	3-15-77	[Signature]
E	ECP 0477C269-2 REV0 (SHT. 2) 5-10-77	5-10-77	[Signature]

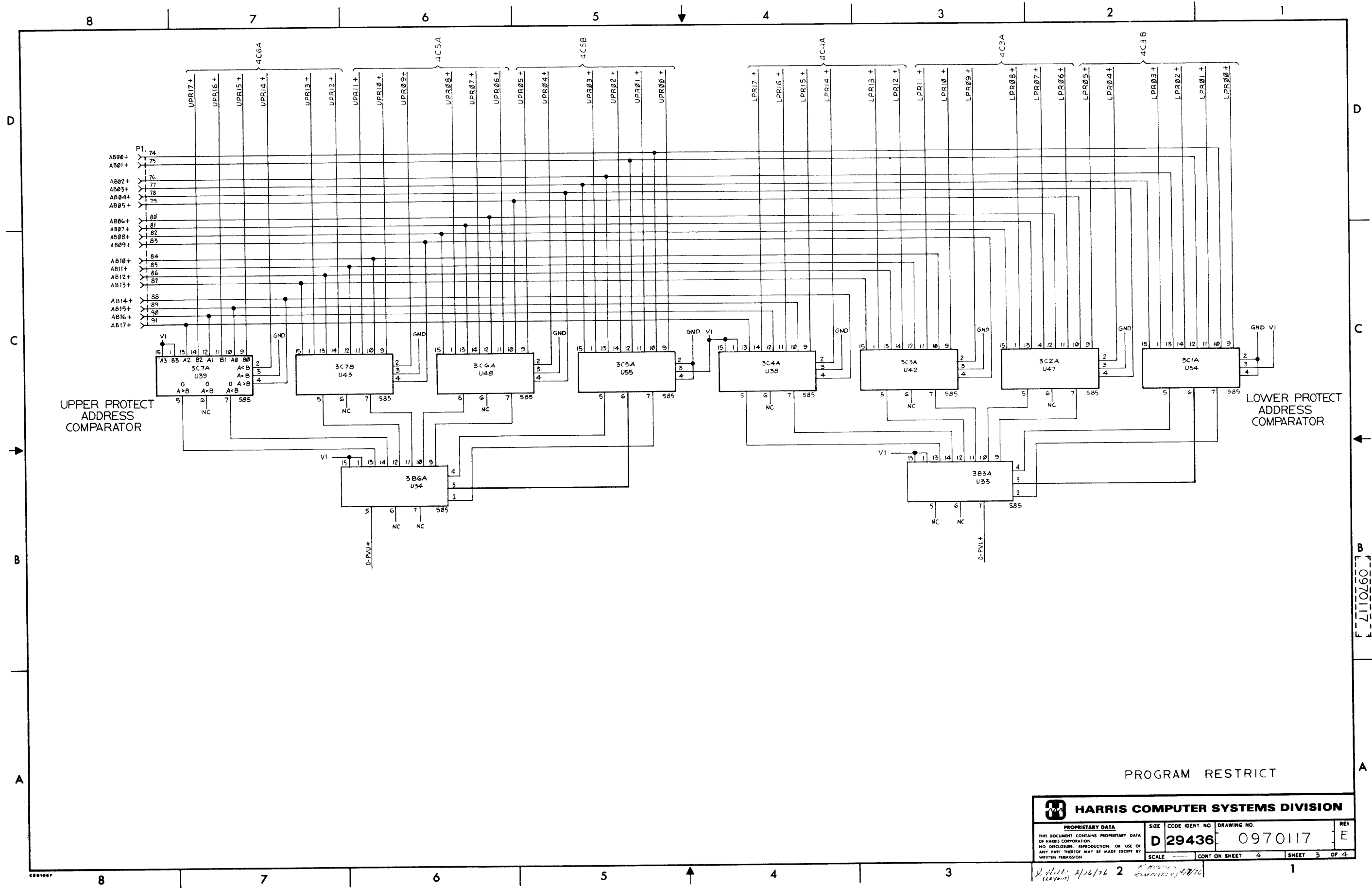
ALL DIMENSIONS ARE IN INCHES UNLESS OTHERWISE SPECIFIED		HARRIS COMPUTER SYSTEMS DIVISION	
TOLERANCES		DRAFTSMAN K. HUGHES 5-14-76	LOGIC DIAGRAM PROGRAM RESTRICT
ANGLES		CHECKER [Signature] 5-17-76	
HOLE		DEV NO 42002	
SURFACE		PROD ENGR [Signature] 7-13-76	
ROUGHNESS		ENGINEER [Signature] 7-27-76	
MATERIAL		PROJ ENGR [Signature] 7-27-76	PROPRIETARY DATA THIS DOCUMENT CONTAINS PROPRIETARY DATA OF HARRIS CORPORATION. NO DISCLOSURE, REPRODUCTION, OR USE OF ANY PART THEREOF MAY BE MADE EXCEPT BY WRITTEN PERMISSION.
901	1510117	FINISH	SIZE CODE IDENT NO DRAWING NO REV: D 29436 0970117 E
APPLICATION		SCALE	CONT ON SHEET 2 SHEET 1 OF 4

B 0970117 F



PROGRAM RESTRICT

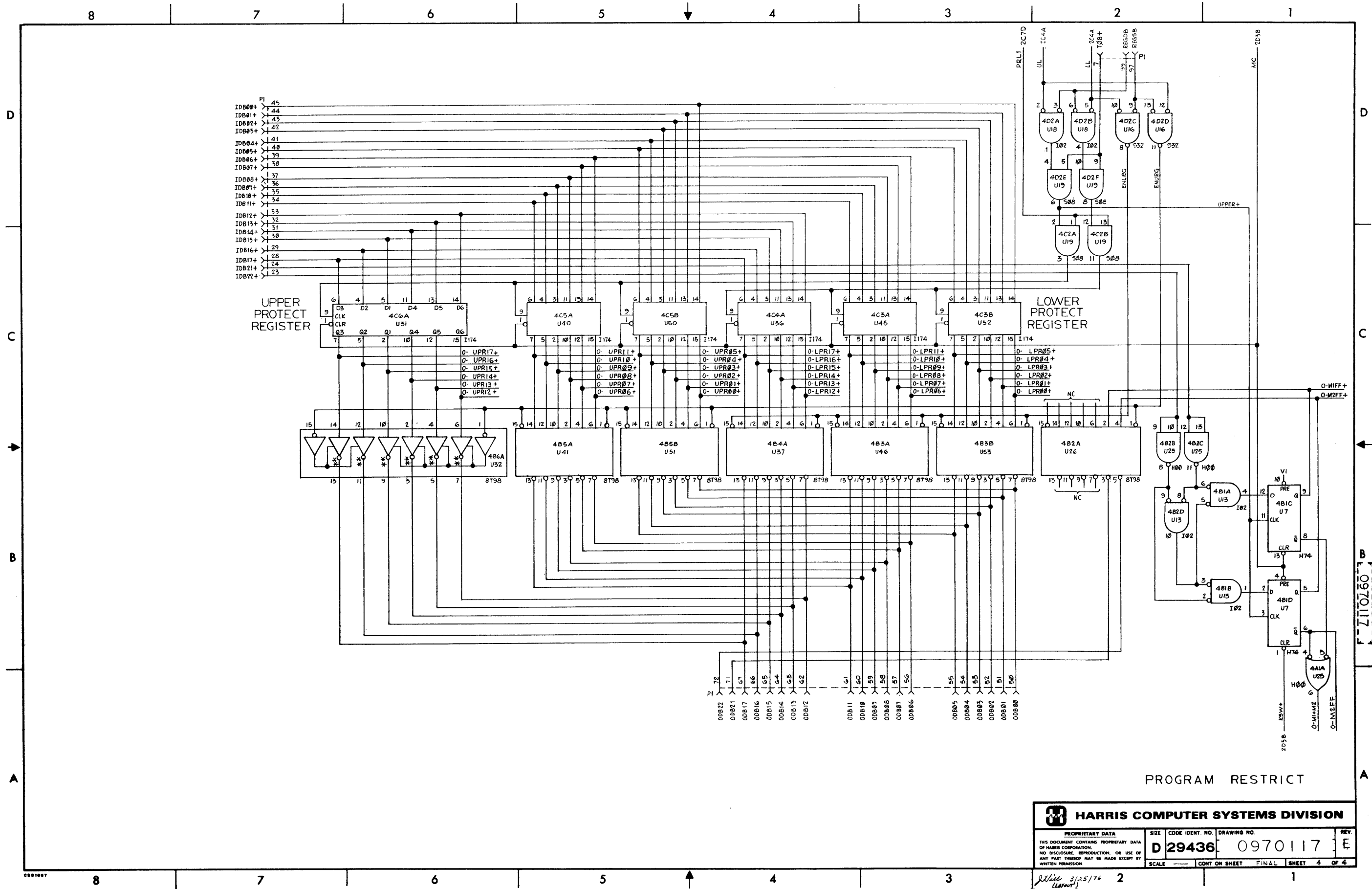
HARRIS COMPUTER SYSTEMS DIVISION			
PROPRIETARY DATA THIS DOCUMENT CONTAINS PROPRIETARY DATA OF HARRIS CORPORATION. NO DISCLOSURE, REPRODUCTION, OR USE OF ANY PART THEREOF MAY BE MADE EXCEPT BY WRITTEN PERMISSION.			
SIZE	CODE IDENT NO	DRAWING NO	REV
D	29436	0970117	E
SCALE		CONT ON SHEET 3 SHEET 2 OF 4	



PROGRAM RESTRICT

HARRIS COMPUTER SYSTEMS DIVISION			
<small>PROPRIETARY DATA THIS DOCUMENT CONTAINS PROPRIETARY DATA OF HARRIS CORPORATION. NO DISCLOSURE, REPRODUCTION, OR USE OF ANY PART THEREOF MAY BE MADE EXCEPT BY WRITTEN PERMISSION</small>			
SIZE	CODE IDENT NO.	DRAWING NO.	REV.
D	29436	0970117	E
SCALE	CONT ON SHEET	SHEET	OF 4
	4	3	

Q. Rev. 3/26/76 2 (layers) R. Rev. 10/27/76 (connections) 4/27/76



PROGRAM RESTRICT

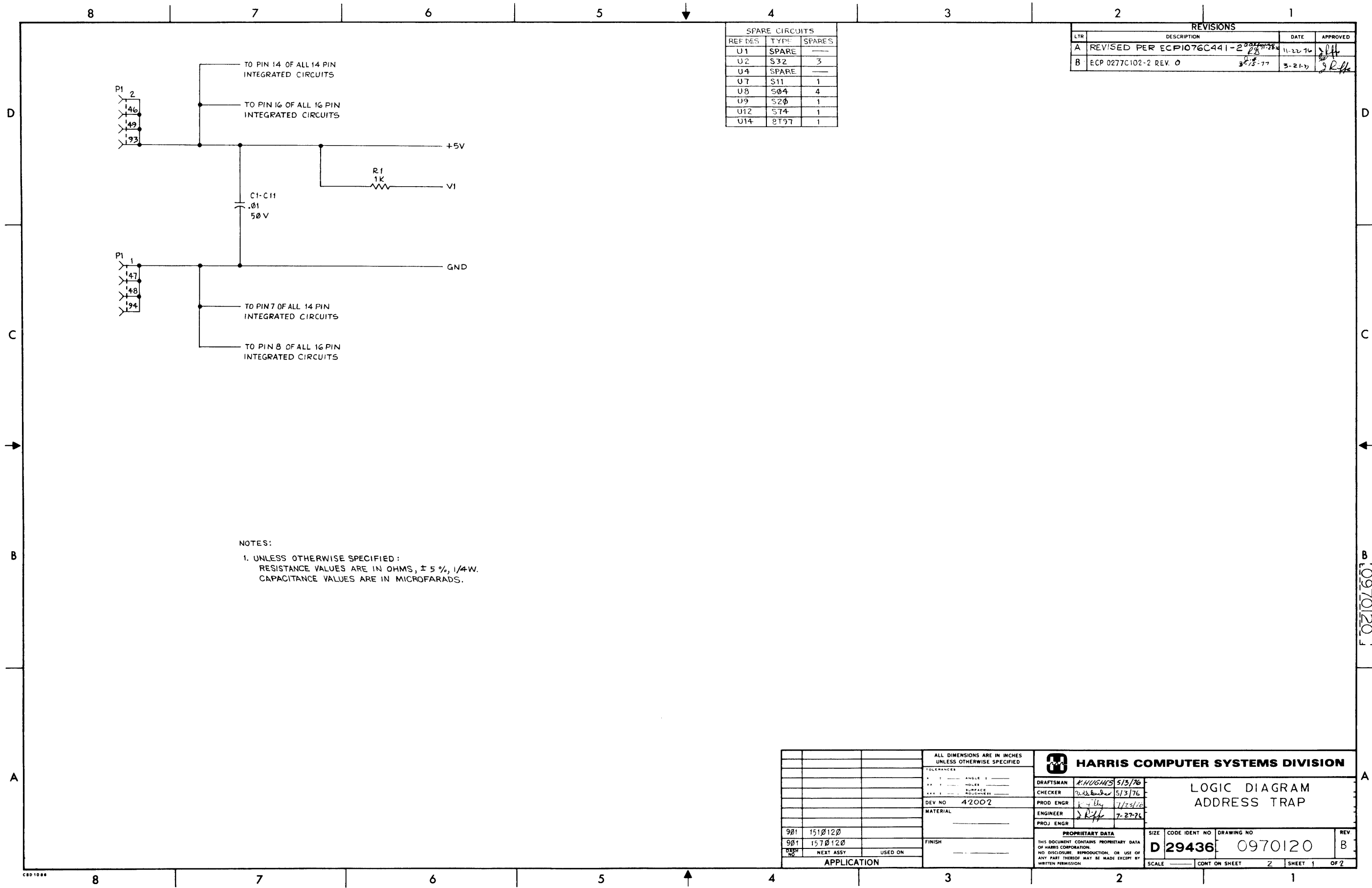
HARRIS COMPUTER SYSTEMS DIVISION

PROPRIETARY DATA

THIS DOCUMENT CONTAINS PROPRIETARY DATA OF HARRIS CORPORATION. NO DISCLOSURE, REPRODUCTION, OR USE OF ANY PART THEREOF MAY BE MADE EXCEPT BY WRITTEN PERMISSION.

SIZE	CODE IDENT. NO.	DRAWING NO.	REV.
D 29436		0970117	E
SCALE	CONT. ON SHEET	FINAL	SHEET 4 OF 4

3/25/76
(LW/WT)



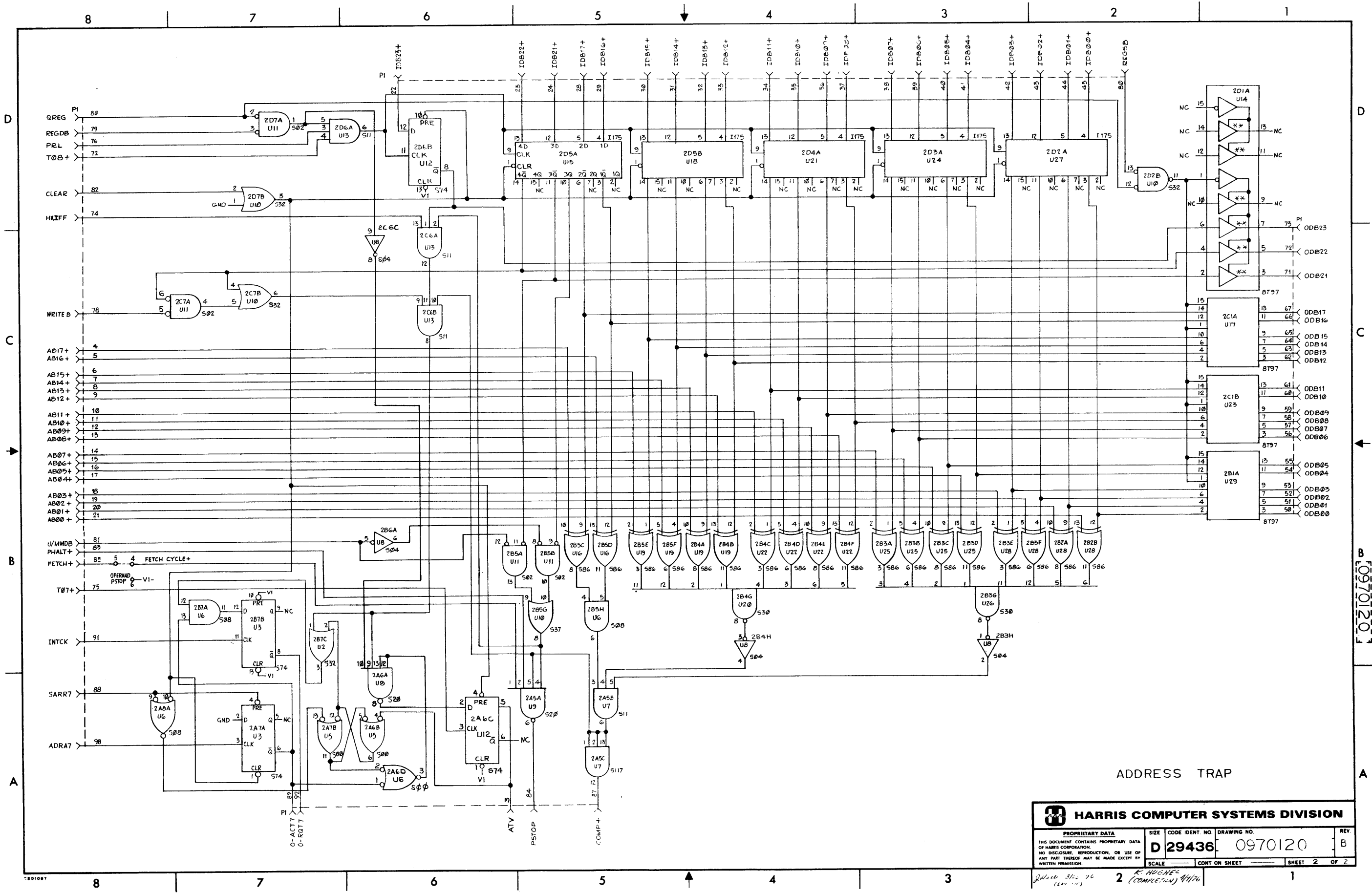
REF DES	TYPE	SPARES
U1	SPARE	---
U2	S32	3
U4	SPARE	---
U7	S11	1
U8	S04	4
U9	S20	1
U12	S74	1
U14	BT97	1

REVISIONS			
LTR	DESCRIPTION	DATE	APPROVED
A	REVISED PER ECP1076C441-2	11-22-76	JRH
B	ECP 0277C102-2 REV. 0	3-21-77	JRH

NOTES:
1. UNLESS OTHERWISE SPECIFIED:
RESISTANCE VALUES ARE IN OHMS, $\pm 5\%$, 1/4-W.
CAPACITANCE VALUES ARE IN MICROFARADS.

ALL DIMENSIONS ARE IN INCHES UNLESS OTHERWISE SPECIFIED		HARRIS COMPUTER SYSTEMS DIVISION	
TOLERANCES		DRAFTSMAN	R. HUGHES 5/3/76
X .1		CHECKER	5/3/76
XX .05		PROD ENGR	7/25/76
XXX .01		ENGINEER	7-27-76
MATERIAL		PROJ ENGR	
DEV NO 42002		PROPRIETARY DATA	
FINISH		THIS DOCUMENT CONTAINS PROPRIETARY DATA OF HARRIS CORPORATION. NO DISCLOSURE, REPRODUCTION, OR USE OF ANY PART THEREOF MAY BE MADE EXCEPT BY WRITTEN PERMISSION.	
901	1510120	SIZE	CODE IDENT NO
901	1570120	D	29436
APPLICATION		DRAWING NO	0970120
		SCALE	CONT ON SHEET 2 SHEET 1 OF 2

0970120



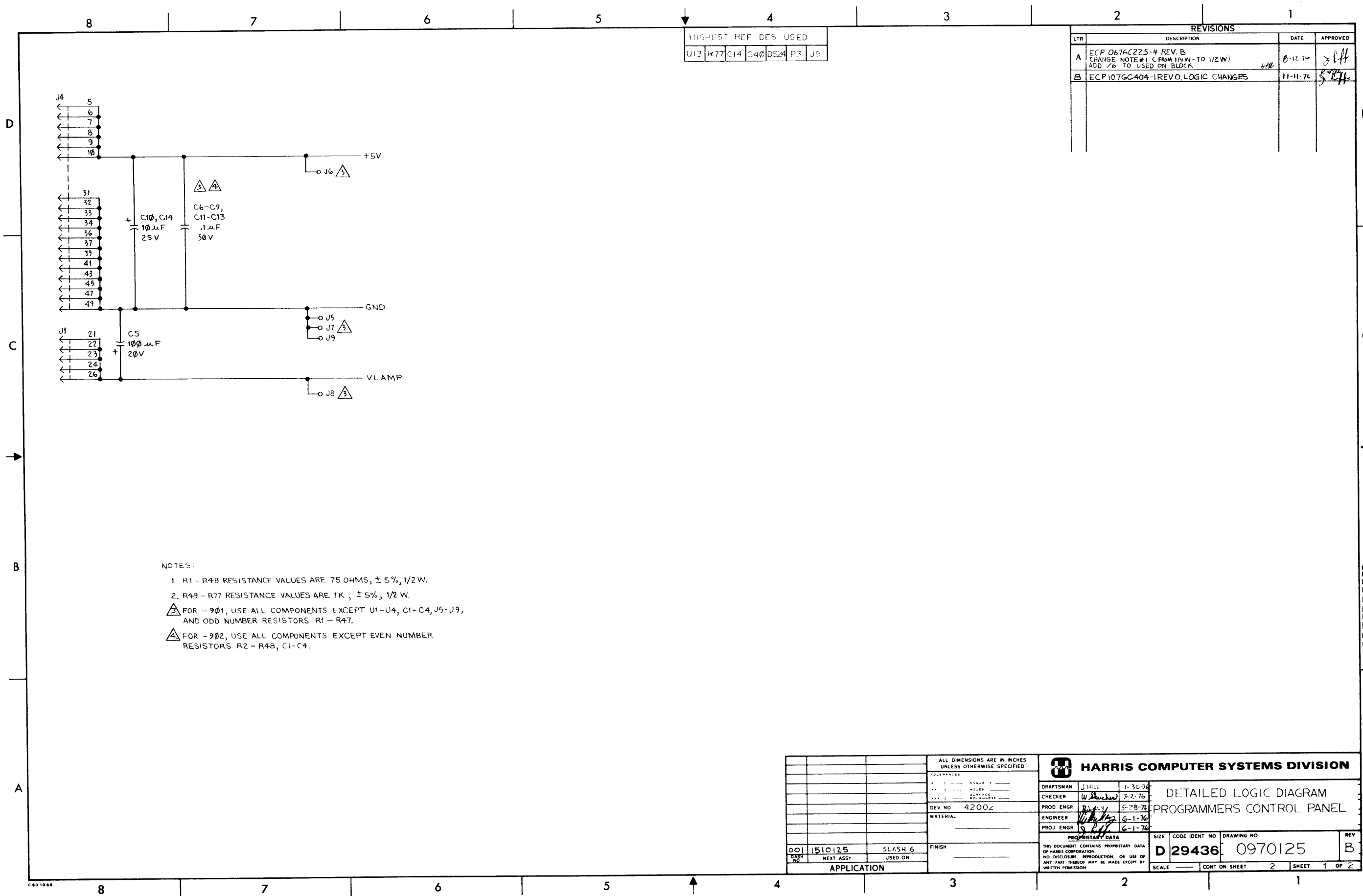
HARRIS COMPUTER SYSTEMS DIVISION

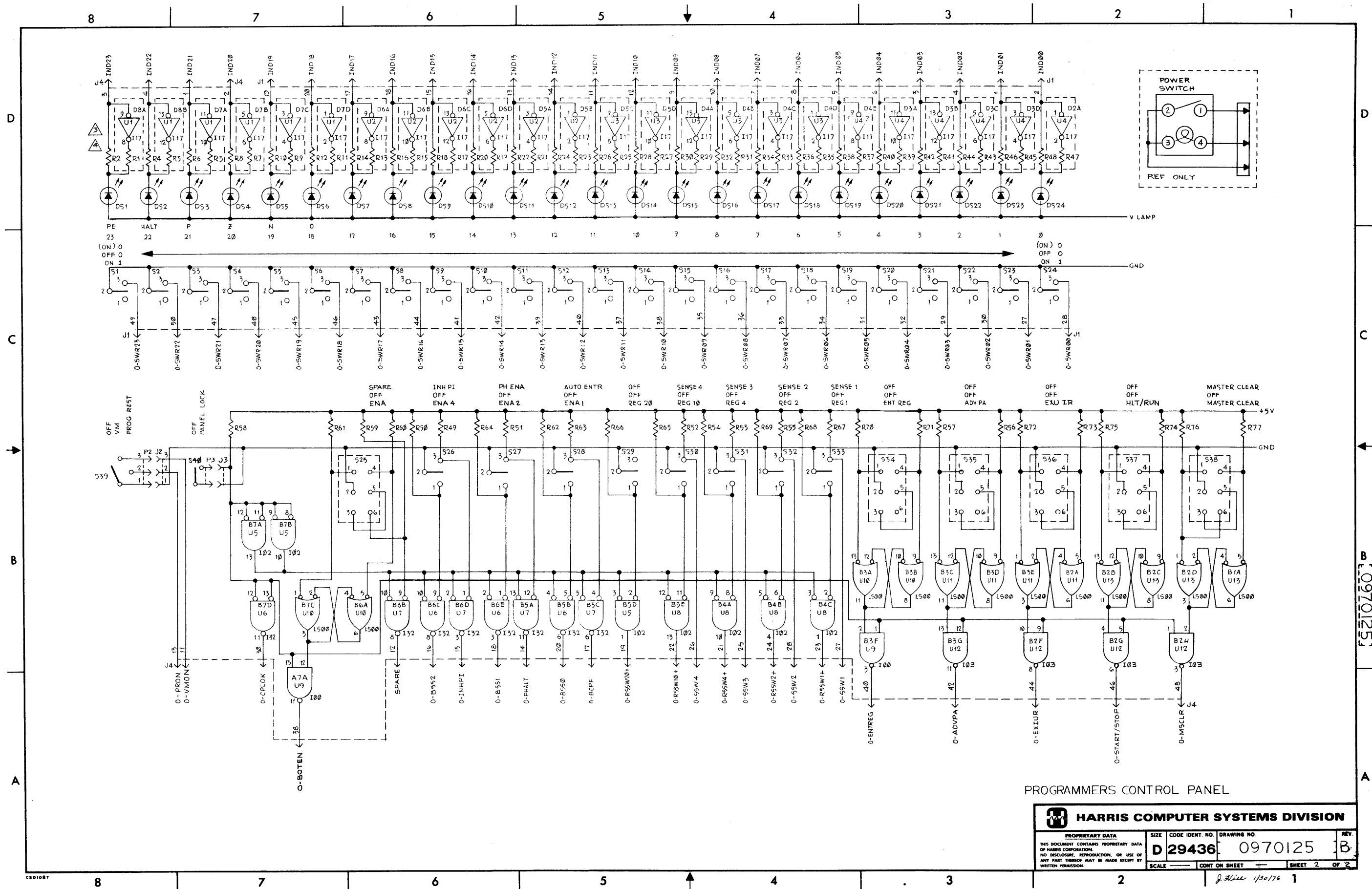
PROPRIETARY DATA

SIZE	CODE IDENT. NO.	DRAWING NO.	REV.
D 29436	0970120	0970120	B
SCALE		CONT. ON SHEET	SHEET 2 OF 2

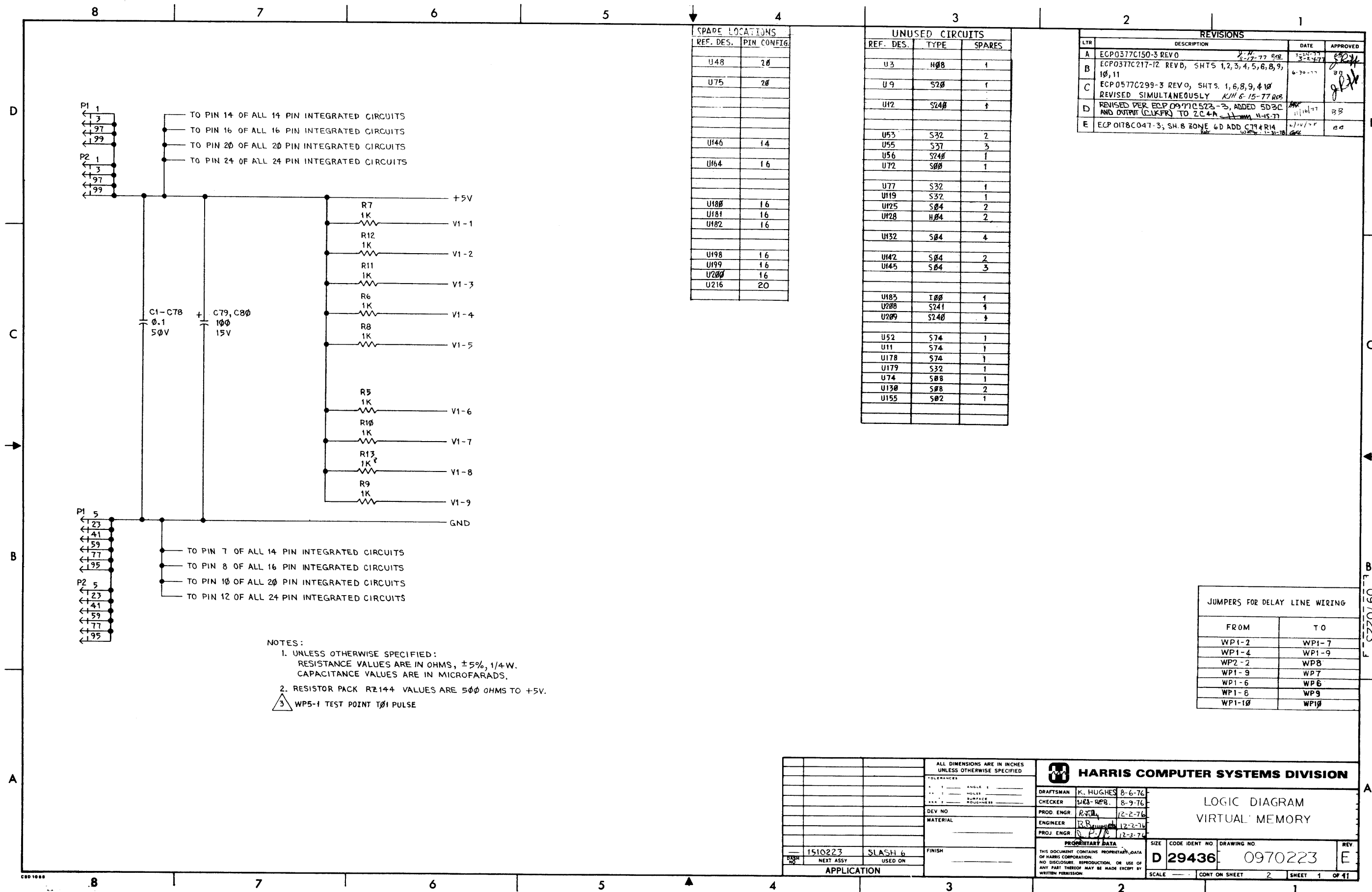
THIS DOCUMENT CONTAINS PROPRIETARY DATA OF HARRIS CORPORATION. NO DISCLOSURE, REPRODUCTION, OR USE OF ANY PART THEREOF MAY BE MADE EXCEPT BY WRITTEN PERMISSION.

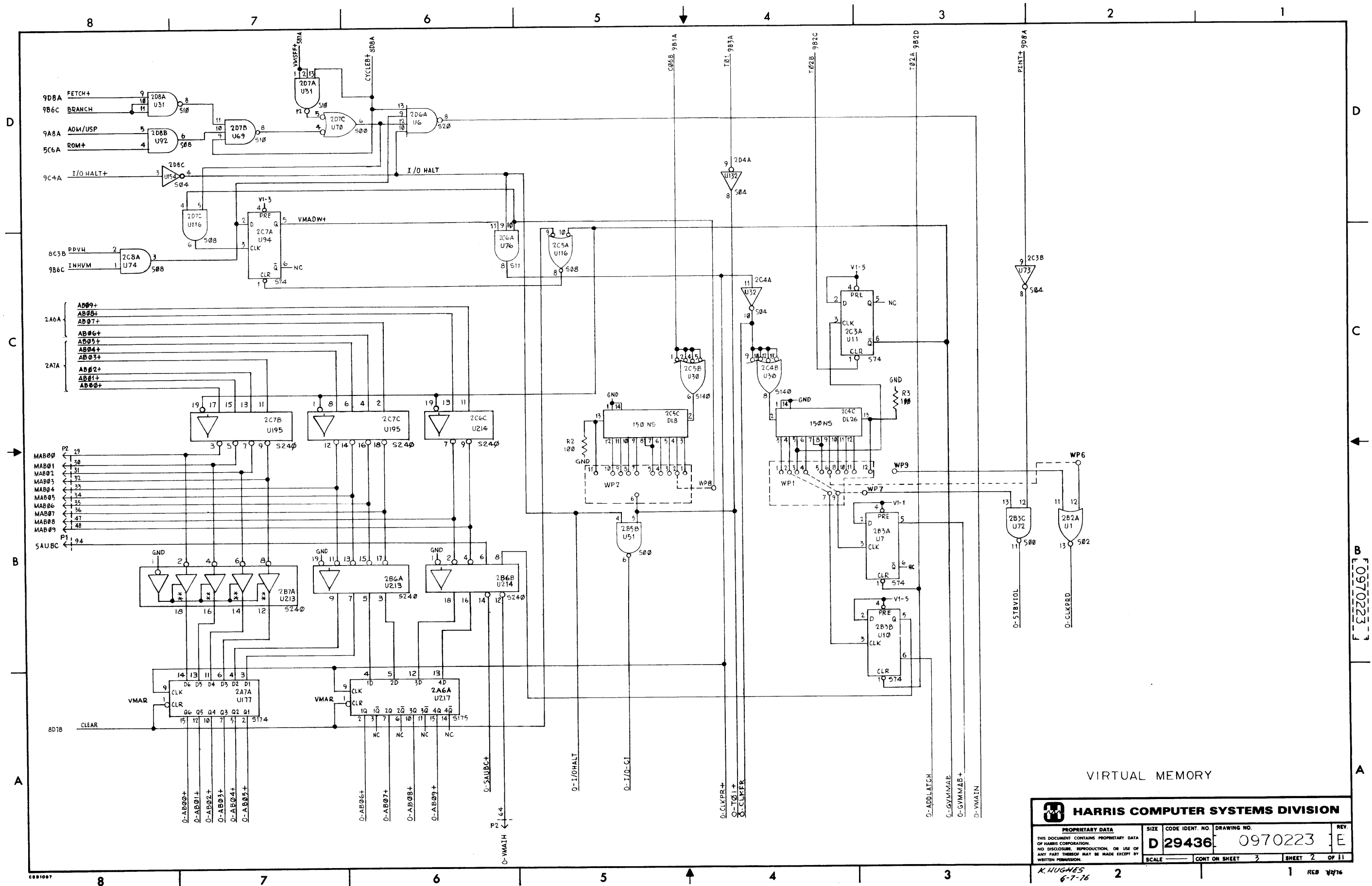
2
 K. HUGHES
 (COMPUTER) 4/1/76





HARRIS COMPUTER SYSTEMS DIVISION			
PROPRIETARY DATA THIS DOCUMENT CONTAINS PROPRIETARY DATA OF HARRIS CORPORATION. NO DISCLOSURE, REPRODUCTION, OR USE OF ANY PART THEREOF MAY BE MADE EXCEPT BY WRITTEN PERMISSION.			
SIZE	CODE IDENT. NO.	DRAWING NO.	REV.
D	29436	0970125	B
SCALE	CONT ON SHEET		SHEET 2 OF 2

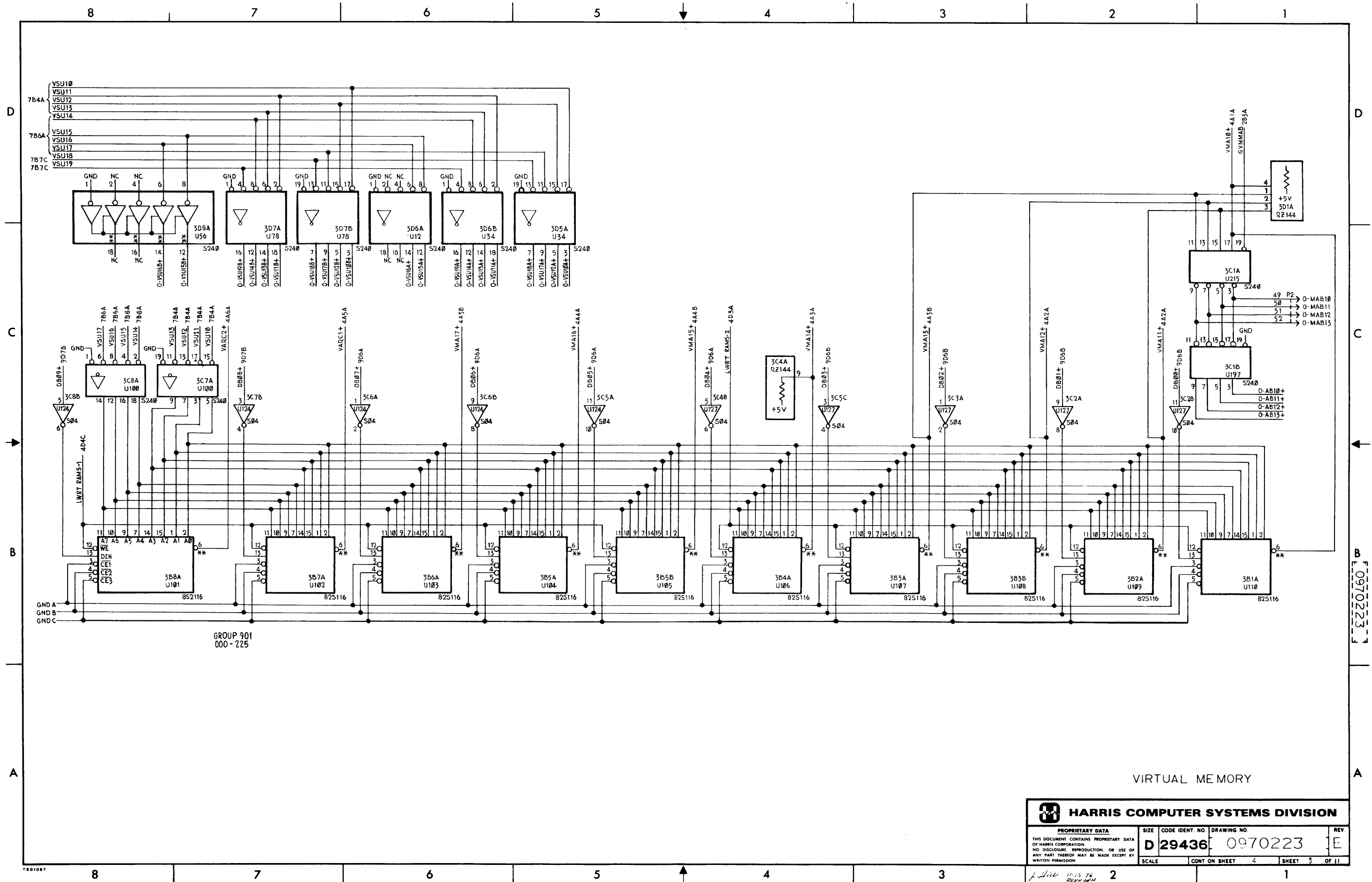




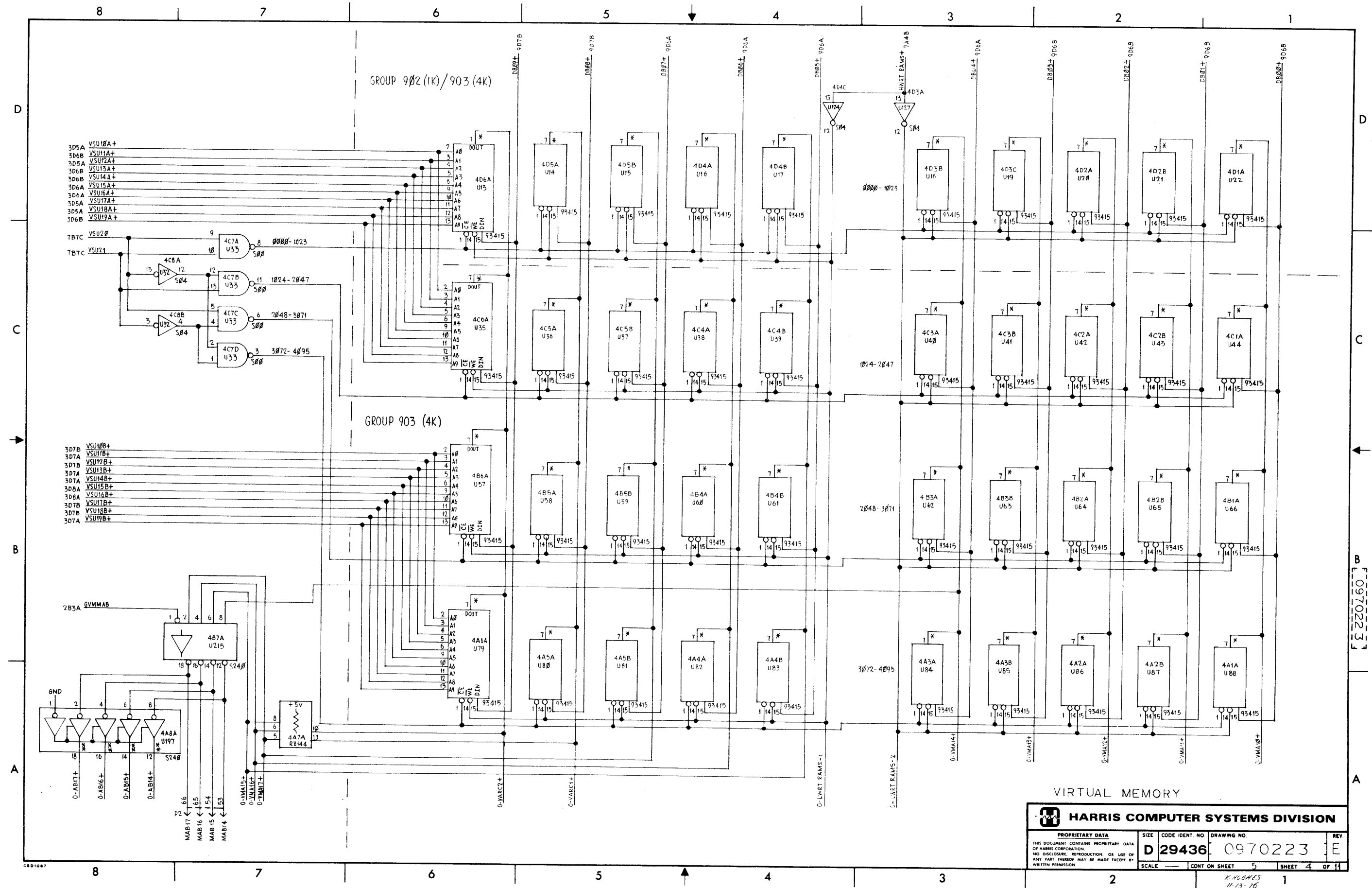
VIRTUAL MEMORY

HARRIS COMPUTER SYSTEMS DIVISION	
PROPRIETARY DATA THIS DOCUMENT CONTAINS PROPRIETARY DATA OF HARRIS CORPORATION. NO DISCLOSURE, REPRODUCTION, OR USE OF ANY PART THEREOF MAY BE MADE EXCEPT BY WRITTEN PERMISSION.	
SIZE D 29436	CODE IDENT NO. 0970223
DRAWING NO. 0970223	REV. E
SCALE CONT ON SHEET 3	SHEET 2 OF 11

K. HUGHES
6-7-76



HARRIS COMPUTER SYSTEMS DIVISION			
<small>PROPRIETARY DATA THIS DOCUMENT CONTAINS PROPRIETARY DATA OF HARRIS CORPORATION. NO DISCLOSURE, REPRODUCTION, OR USE OF ANY PART THEREOF MAY BE MADE EXCEPT BY WRITTEN PERMISSION.</small>			
SIZE	CODE IDENT. NO.	DRAWING NO.	REV.
D 29436	0970223		E
SCALE	CONT ON SHEET	SHEET	OF 11
	4	3	



VIRTUAL MEMORY

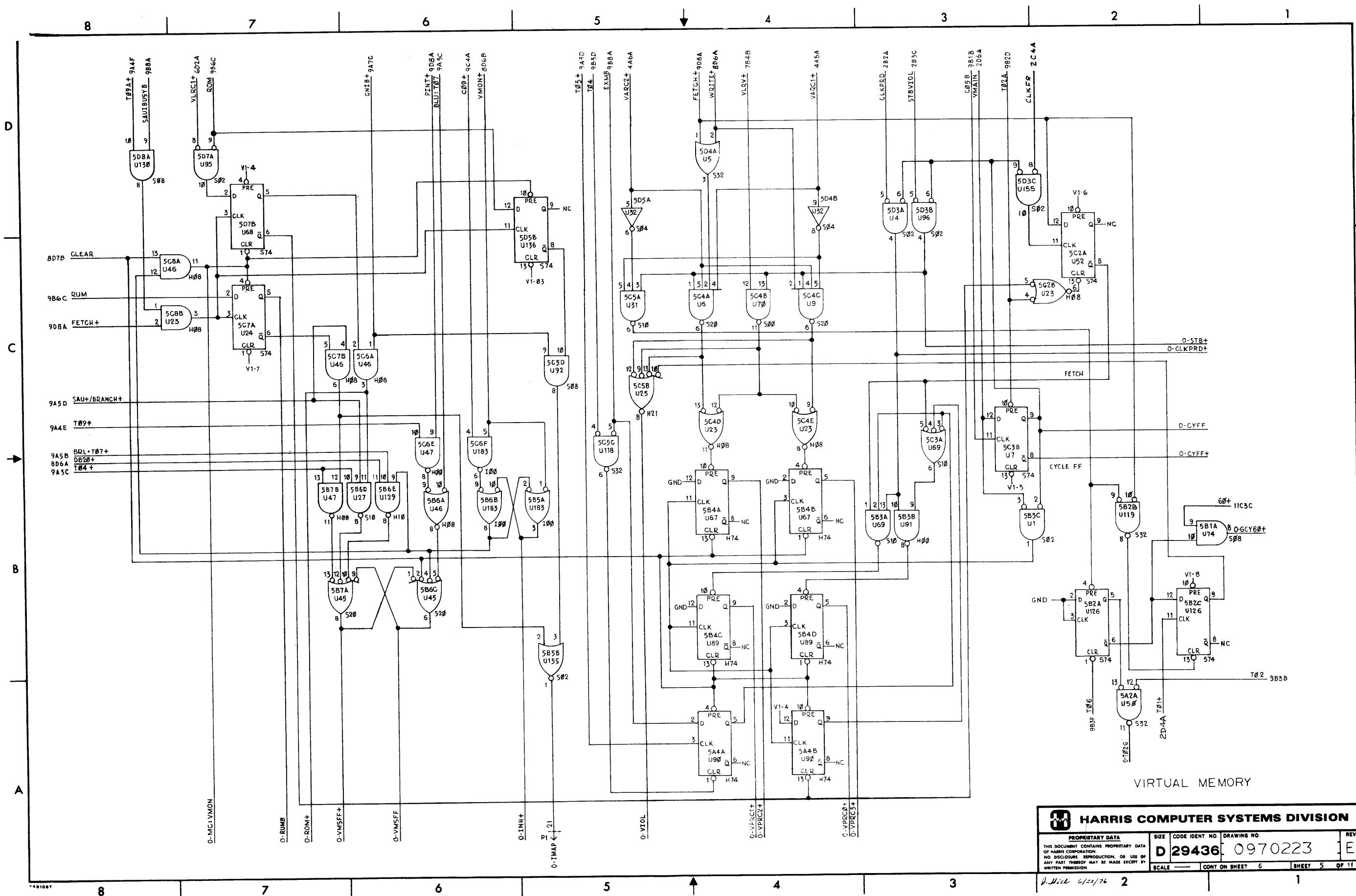
HARRIS COMPUTER SYSTEMS DIVISION

PROPRIETARY DATA

THIS DOCUMENT CONTAINS PROPRIETARY DATA OF HARRIS CORPORATION. NO DISCLOSURE, REPRODUCTION, OR USE OF ANY PART THEREOF MAY BE MADE EXCEPT BY WRITTEN PERMISSION.

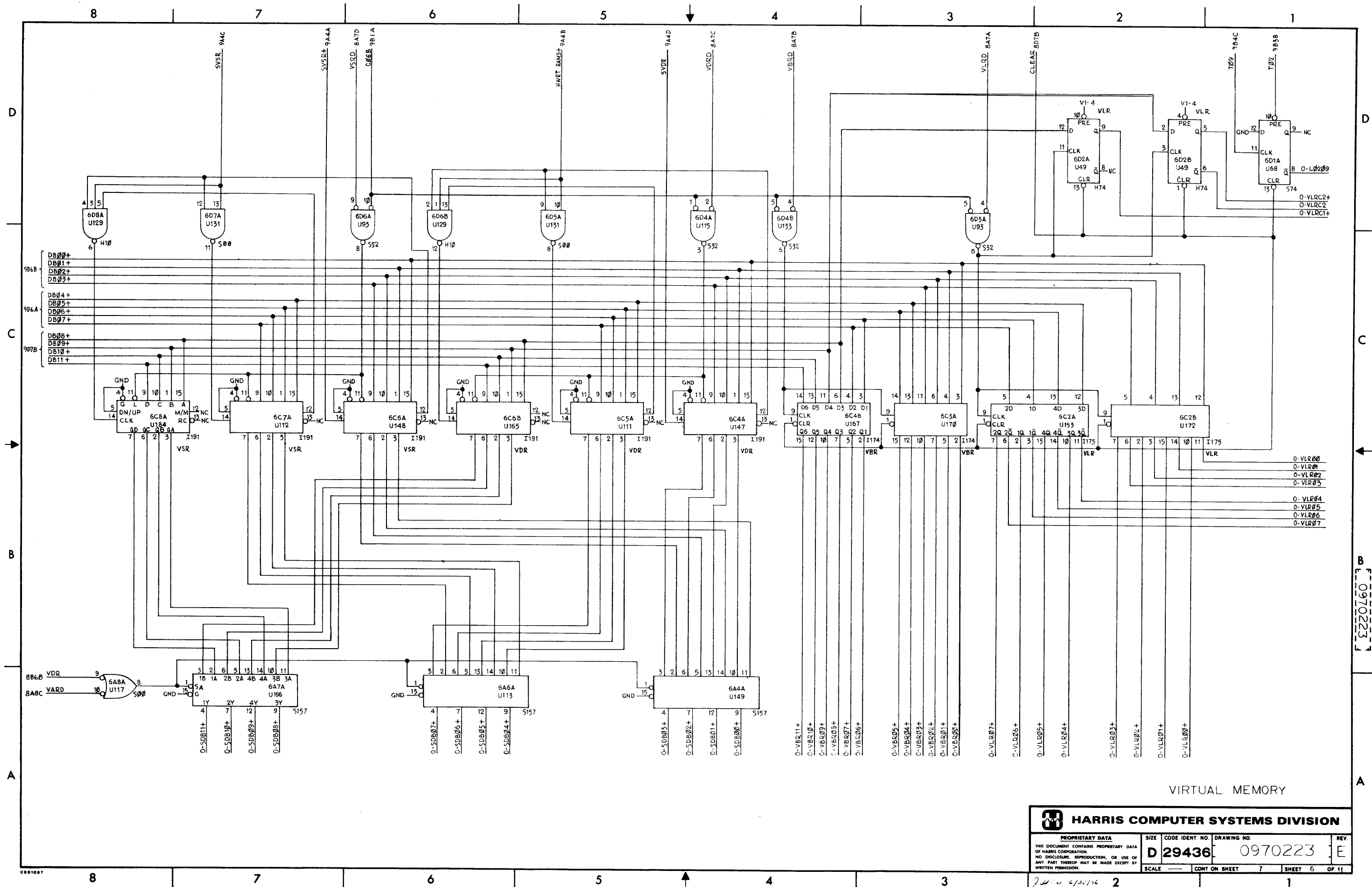
SIZE	CODE IDENT NO.	DRAWING NO.	REV
D 29436	0970223	E	
SCALE	CONT ON SHEET	SHEET	OF
	5	4	11

K.H.G.H.C.S.
11-13-76



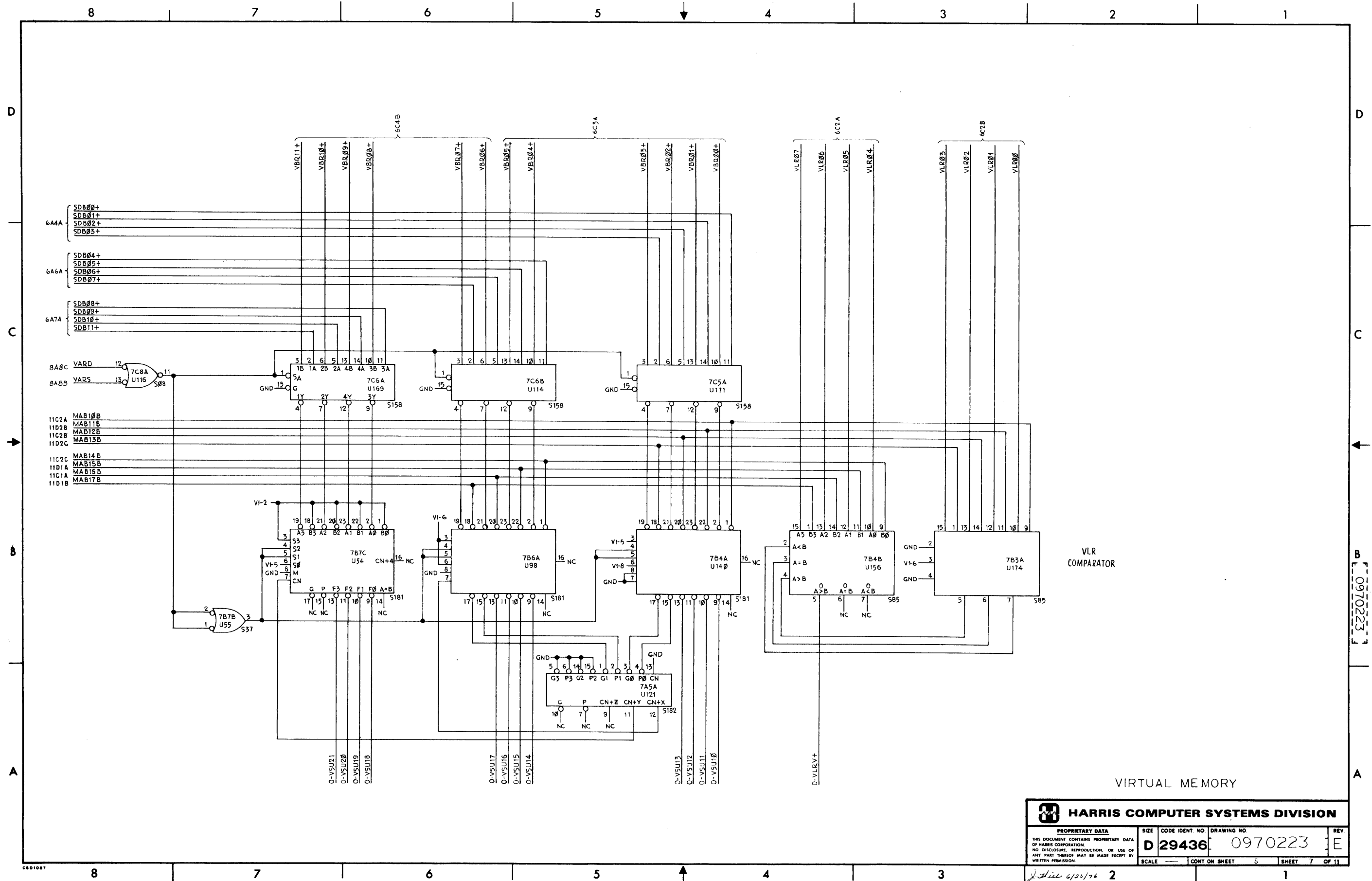
0970223

HARRIS COMPUTER SYSTEMS DIVISION		
<small>PROPRIETARY DATA THIS DOCUMENT CONTAINS PROPRIETARY DATA OF HARRIS CORPORATION. NO DISCLOSURE, REPRODUCTION, OR USE OF ANY PART THEREOF MAY BE MADE EXCEPT BY WRITTEN PERMISSION.</small>		
SIZE	CODE IDENT. NO.	DRAWING NO.
D	29436	0970223
SCALE	CONT. ON SHEET	SHEET 5 OF 11
	6	



VIRTUAL MEMORY

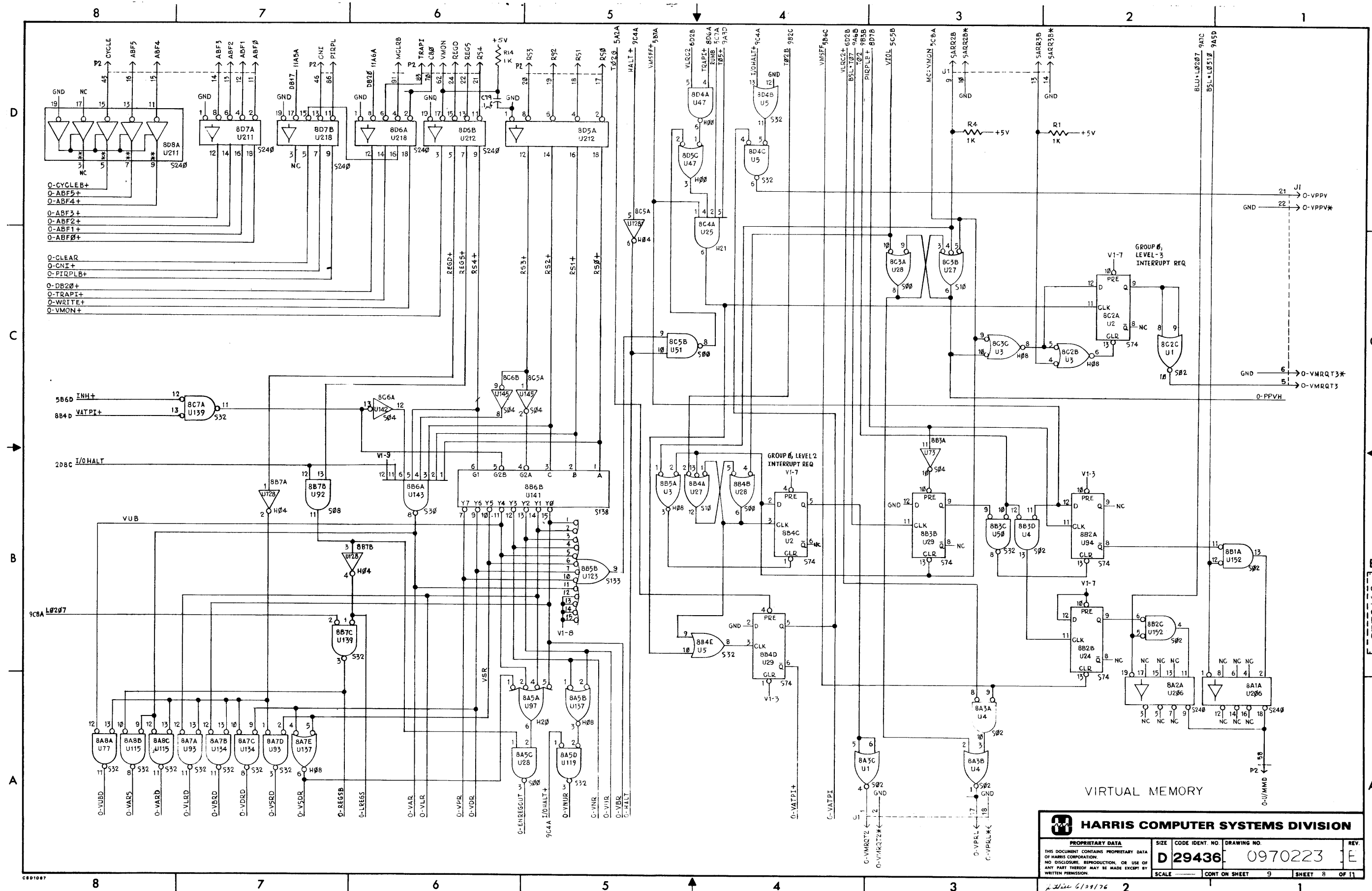
HARRIS COMPUTER SYSTEMS DIVISION			
PROPRIETARY DATA THIS DOCUMENT CONTAINS PROPRIETARY DATA OF HARRIS CORPORATION. NO DISCLOSURE, REPRODUCTION, OR USE OF ANY PART THEREOF MAY BE MADE EXCEPT BY WRITTEN PERMISSION.	SIZE D 29436	CODE IDENT. NO. 0970223	DRAWING NO. E
SCALE	CONT ON SHEET	7	SHEET 6 OF 11



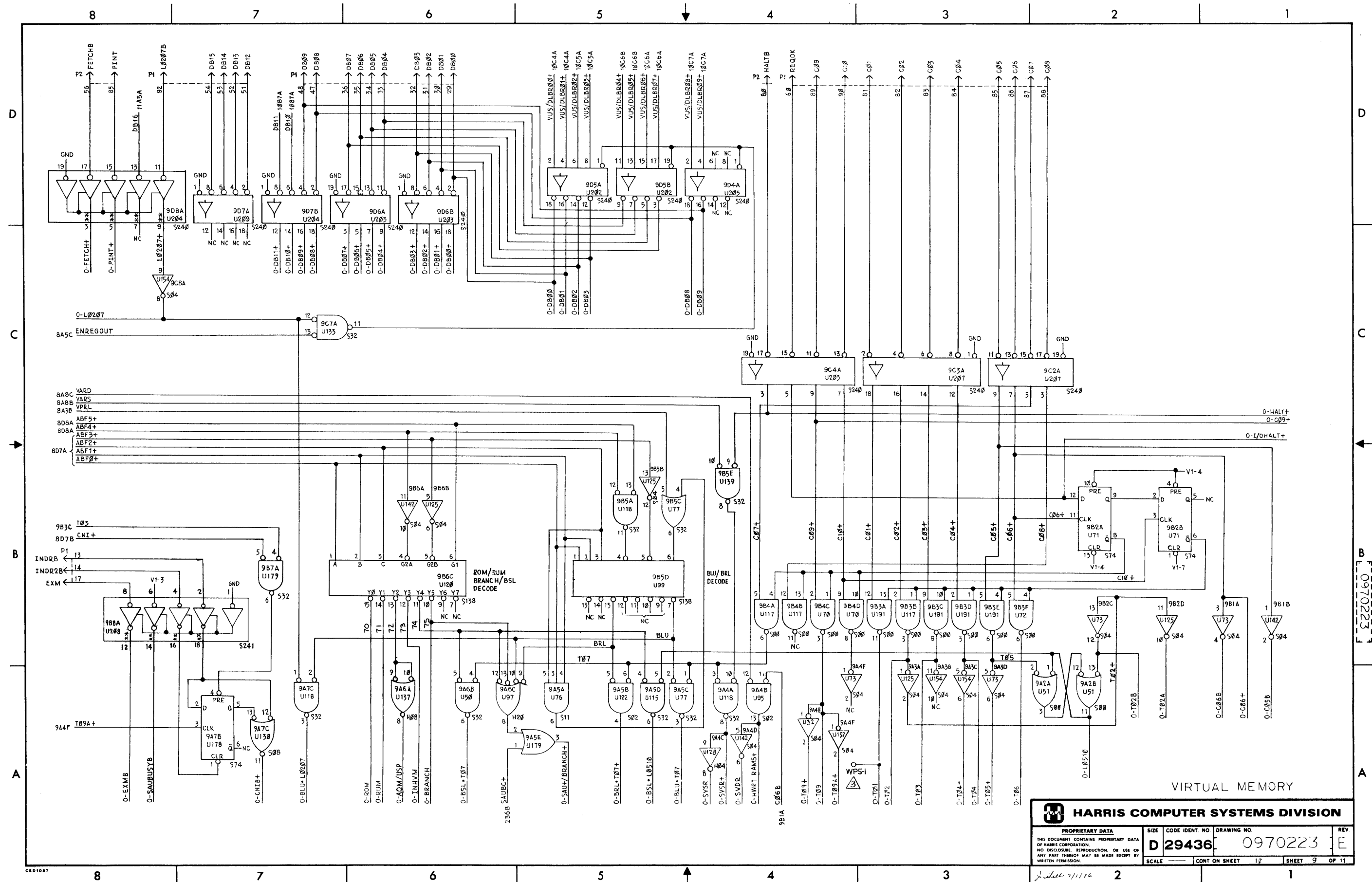
VIRTUAL MEMORY

HARRIS COMPUTER SYSTEMS DIVISION			
PROPRIETARY DATA	SIZE	CODE IDENT. NO.	DRAWING NO.
THIS DOCUMENT CONTAINS PROPRIETARY DATA OF HARRIS CORPORATION. NO DISCLOSURE, REPRODUCTION, OR USE OF ANY PART THEREOF MAY BE MADE EXCEPT BY WRITTEN PERMISSION.	D	29436	0970223
SCALE	CONT. ON SHEET	SHEET	OF 11
	5	7	11

Will 6/20/76



HARRIS COMPUTER SYSTEMS DIVISION			
PROPRIETARY DATA	SIZE	CODE IDENT. NO.	DRAWING NO.
THIS DOCUMENT CONTAINS PROPRIETARY DATA OF HARRIS CORPORATION. NO DISCLOSURE, REPRODUCTION, OR USE OF ANY PART THEREOF MAY BE MADE EXCEPT BY WRITTEN PERMISSION.	D 29436	0970223	E
SCALE	CONT ON SHEET	9	SHEET 8 OF 11

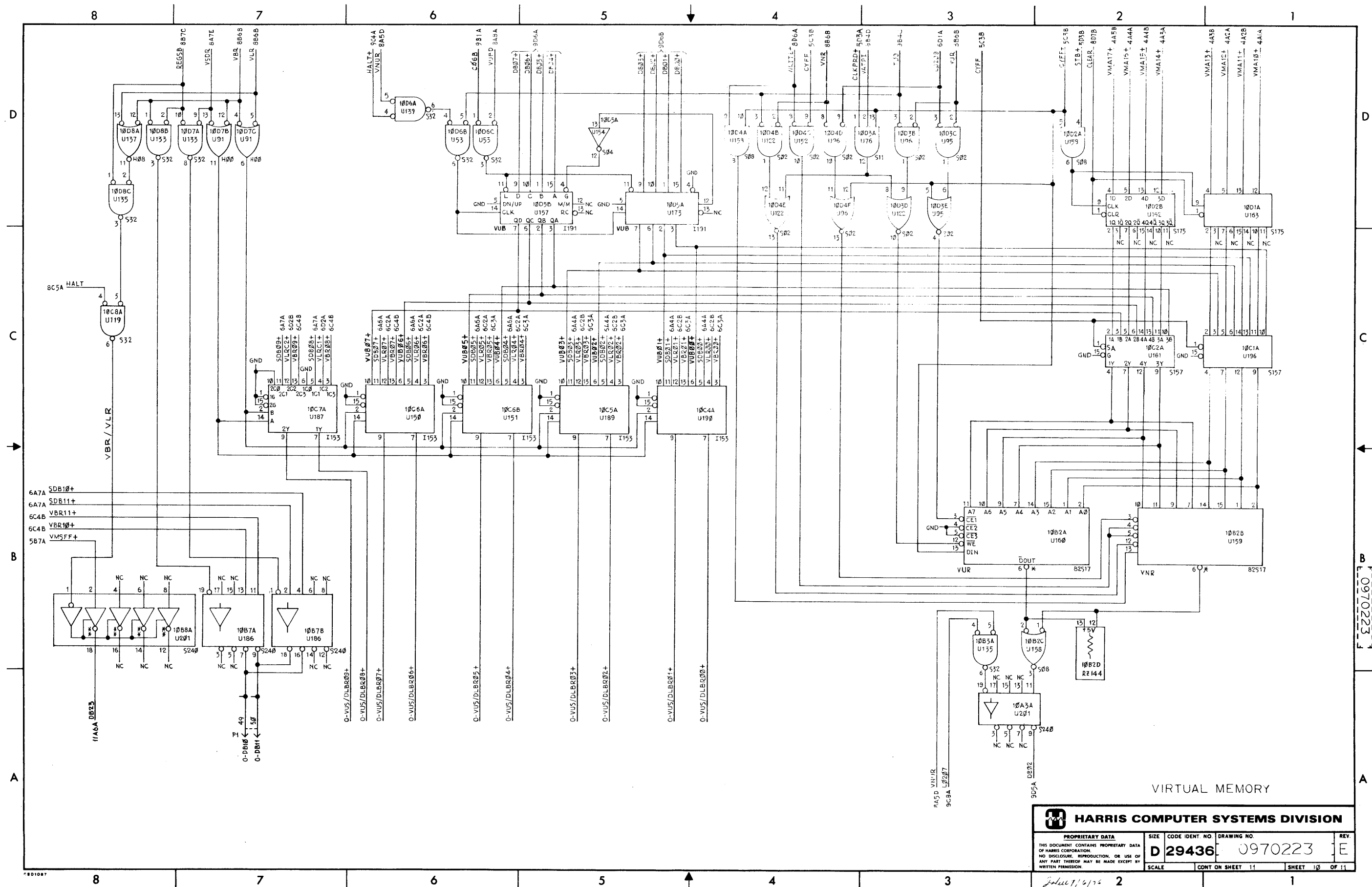


HARRIS COMPUTER SYSTEMS DIVISION

PROPRIETARY DATA

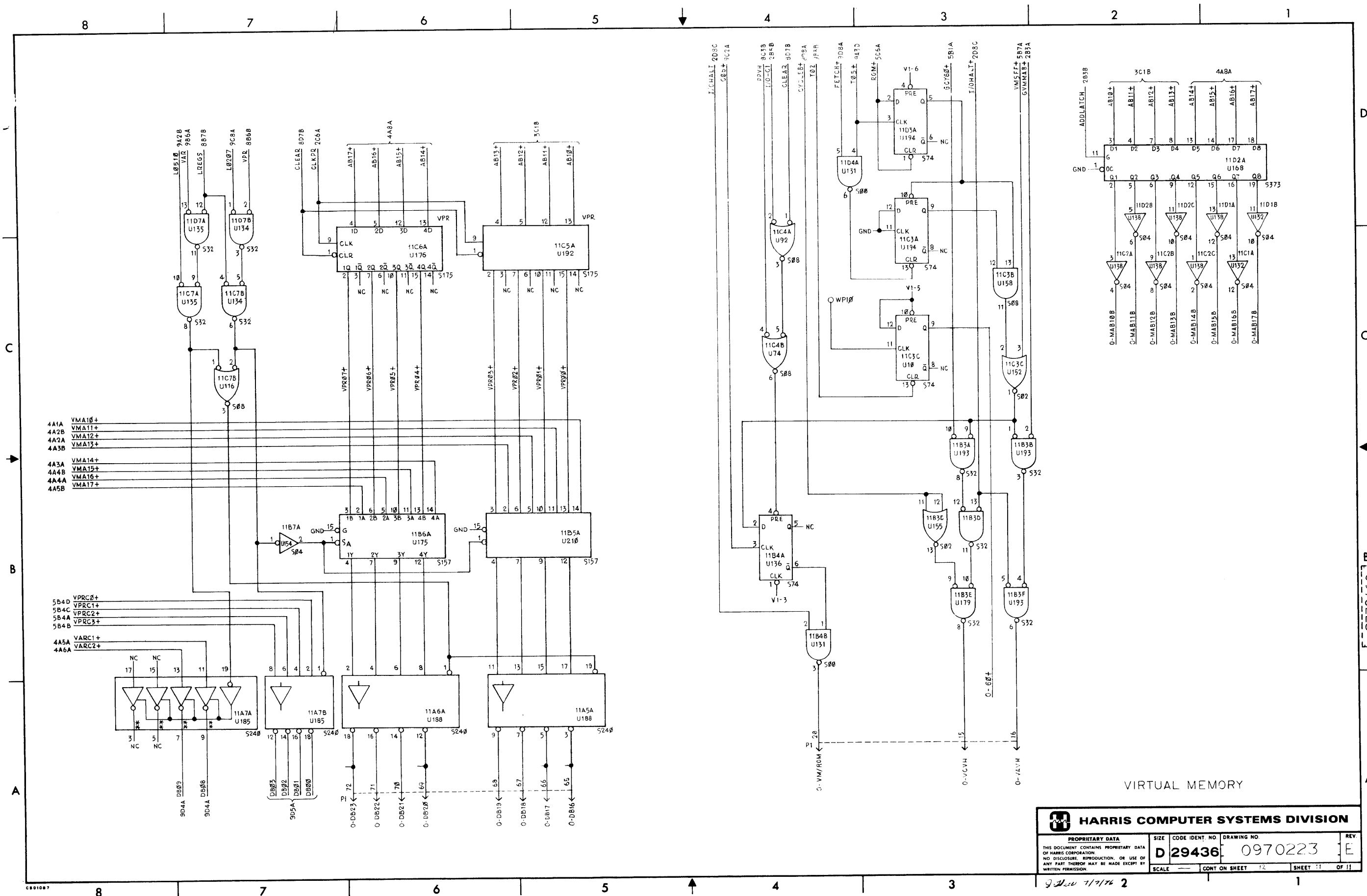
THIS DOCUMENT CONTAINS PROPRIETARY DATA OF HARRIS CORPORATION. NO DISCLOSURE, REPRODUCTION, OR USE OF ANY PART THEREOF MAY BE MADE WITHOUT WRITTEN PERMISSION.

SIZE	CODE IDENT. NO.	DRAWING NO.	REV.
D 29436	0970223		E
SCALE	CONT ON SHEET	12	SHEET 9 OF 11

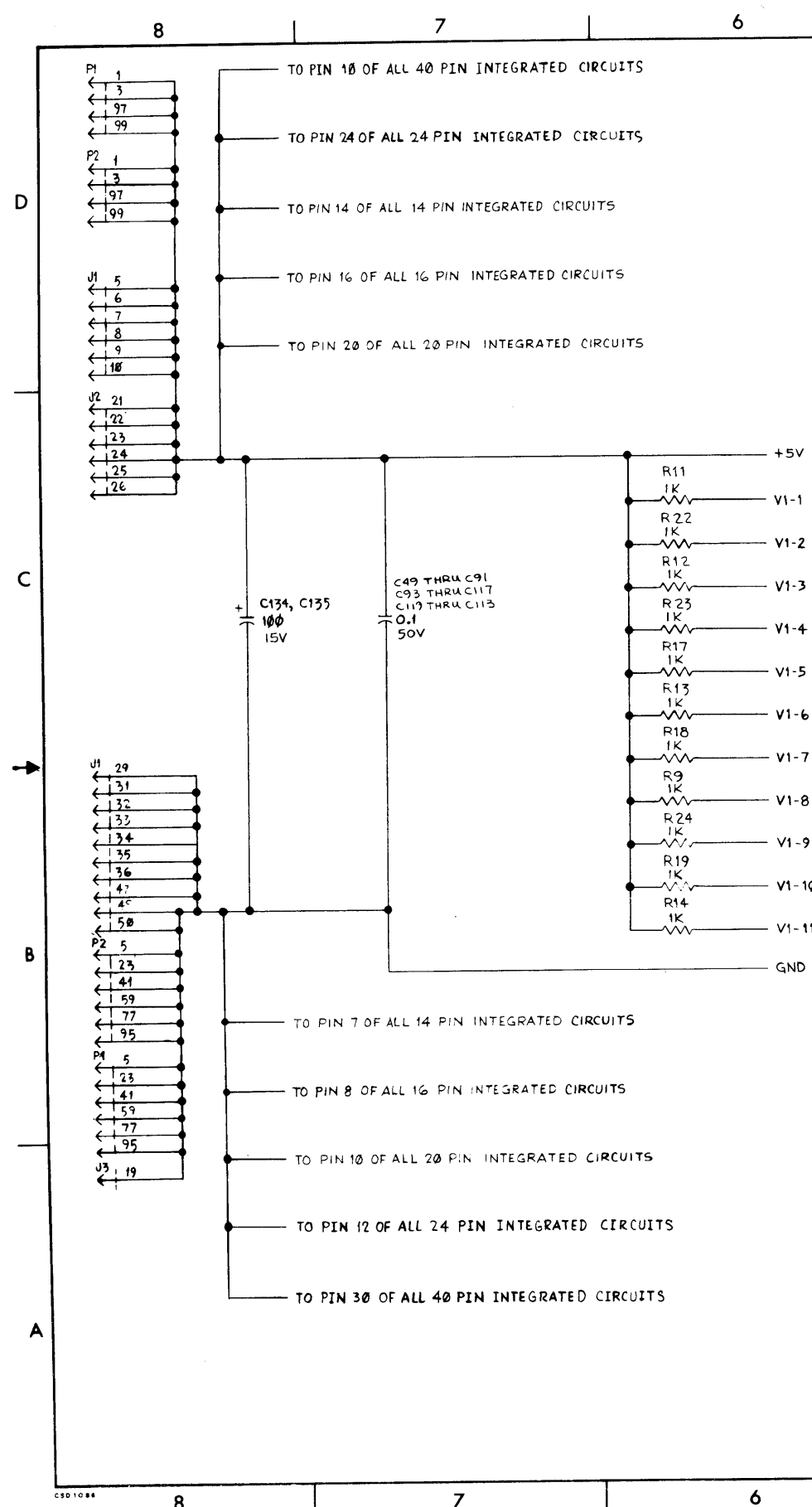


HARRIS COMPUTER SYSTEMS DIVISION			
PROPRIETARY DATA THIS DOCUMENT CONTAINS PROPRIETARY DATA OF HARRIS CORPORATION. NO DISCLOSURE, REPRODUCTION, OR USE OF ANY PART THEREOF MAY BE MADE EXCEPT BY WRITTEN PERMISSION.	SIZE	CODE IDENT. NO.	DRAWING NO.
	D	29436	0970223
SCALE	CONT. ON SHEET	11	SHEET 10 OF 11

July 9, 1974



HARRIS COMPUTER SYSTEMS DIVISION			
PROPRIETARY DATA	SIZE	CODE IDENT. NO.	DRAWING NO.
THIS DOCUMENT CONTAINS PROPRIETARY DATA OF HARRIS CORPORATION. NO DISCLOSURE, REPRODUCTION, OR USE OF ANY PART THEREOF MAY BE MADE EXCEPT BY WRITTEN PERMISSION.	D 29436	0970223	E
SCALE	CONT. ON SHEET	SHEET	OF
	12	11	11



LAST REFERENCE DESIGNATION USED

C135
R25
R2319
U320
WP5
J3

PROM CHART

REF DES	PROM TYPE	PROM NUMBER	LOWEST USABLE ASSY (1570236) REV LEVEL *		DASH NUMBER
			P	H	
U12	7603	6311007	901	901	
U68	7611	08			
U97		09			
U107		10	901		
U108		11	902		
U109	7611	12	901		
U110	7644	13			
U111		14			
U112		15			
U113		16	901		
U114		17	902		
U115		18			
U116		19			
U117		20			
U118	7644	21	902		
U135	7621	22	901		
U137	7611	23	902		
U138	7644	24	901		
U139		25	902		
U140		26			
U141		27			
U142		28	902		
U143		29	901		
U144		30	901		
U145		31	902		
U146	7644	32	902		
U227	7641	33	901		
U229	7603	34			
U269	7611	6311035	901	901	

USABLE MICRO CODE LISTING

DWG NO	TITLE	USABLE DRAWING REVISION
6730000	PROG PATTERN MAINS	H

REVISIONS

LTR	DESCRIPTION	DATE	APPROVED
A	ECP 1076C407-3 REV A N.F. 10-20-76	11-3-76	R.H.
B	ECP 1276C482-4 REV 0 C.F. 12/18/76		R.H.
C	ECP 1276C483-4 RELEASED SIMULTANEOUSLY	1-12-77	R.H.
D	ECP 0177C032-4 REV A, ADDED NOTE 6, REV 2-14-77 LOGIC PER ECP SMTS. 2, 3, 7, 8, 9, 10, 11, 12, 13 & 20.	2-14-77	R.H.
E	ECP 0177C049-4 REV 0. ARH 2-29-77	2-29-77	R.H.
F	ECP 0177C073-4 REV 0 (REV SH 8 & 15 ONLY) R.H. 3-18-77	3-18-77	R.H.
G	ECP 0177C074-4 REV 0 (SMTS 1 & 2 ONLY) R.H. 4-22-77	4-22-77	R.H.
H	ECP 0277C105-3 REV 0 (SMT. 16 ONLY) R.H. 4-26-77	4-26-77	R.H.
J	ECP 0377C100-3 REV 0 R.H. 4-29-77	4-29-77	R.H.
K	ECP 0377C171-3 REV 0 (SMTS. 8, 9, 12, 15/17) R.H. 5-3-77	5-3-77	R.H.
L	ECP 0377C207-1 REV 0 R.H. 5-13-77 ADDED PROM CHART	5-13-77	R.H.
M	ECP 0717C381-3 REV 0 LOGIC CHANGES SWEETS 2, 12 & 17	8-5-77	R.H.
N	ECP 0877C452-3 REV B LOGIC CHANGES SMTS. 12 & 20	9-11-77	R.H.
P	ECP 1077C571-3 ADD 'P' PROMS TO CHART ADD USABLE MICRO CODE LISTING CHART	12-1-77	R.H.

- NOTES:
- UNLESS OTHERWISE SPECIFIED, RESISTANCE VALUES ARE IN OHMS, $\pm 5\%$, 1/4W. CAPACITANCE VALUES ARE IN MICROFARADS.
 - RESISTOR PACKS R211, R214, R220, R221, R2319 VALUES ARE 10K OHMS TO +5V.
 - RESISTOR PACK R222 VALUES ARE 100 OHMS TO GND.
 - CAPACITORS C1-C4, C7-C11, C13, C15, C17-C23, C25-C29, C31-C35, C37-C41, C43-C47 VALUES ARE .01, 50V.
 - CAPACITORS C6, C12, C18, C24, C30, C36, C42, C48 VALUES ARE 100PF, 1K V.
 - CAPACITOR C14, 0.1, 50V

OSC JUMPER
WT2- CONNECT PIN 1 TO PIN 2

PRIORITY INTERRUPT CONFIG. JUMPERS

NO OPTION BOARD		WITH OPTION BOARD	
FROM	TO	FROM	TO
WT3-3	WT3-2	WT3-1	WT3-3
WT4-3	WT4-2	WT4-1	WT4-3
WT5-3	WT5-2	WT5-1	WT5-3

UNUSED CIRCUITS

REF DES	TYPE	SPARES
U2	I08	3
U6	LS10	2
U25	LS02	1
U125	S32	1
U153	S11	1
U240	S04	1
U241	H00	1
U243	S08	1
U244	H21	1
U245	S06	1
U270	S08	1
U308	S38	3
U310	S08	3

ALL DIMENSIONS ARE IN INCHES UNLESS OTHERWISE SPECIFIED

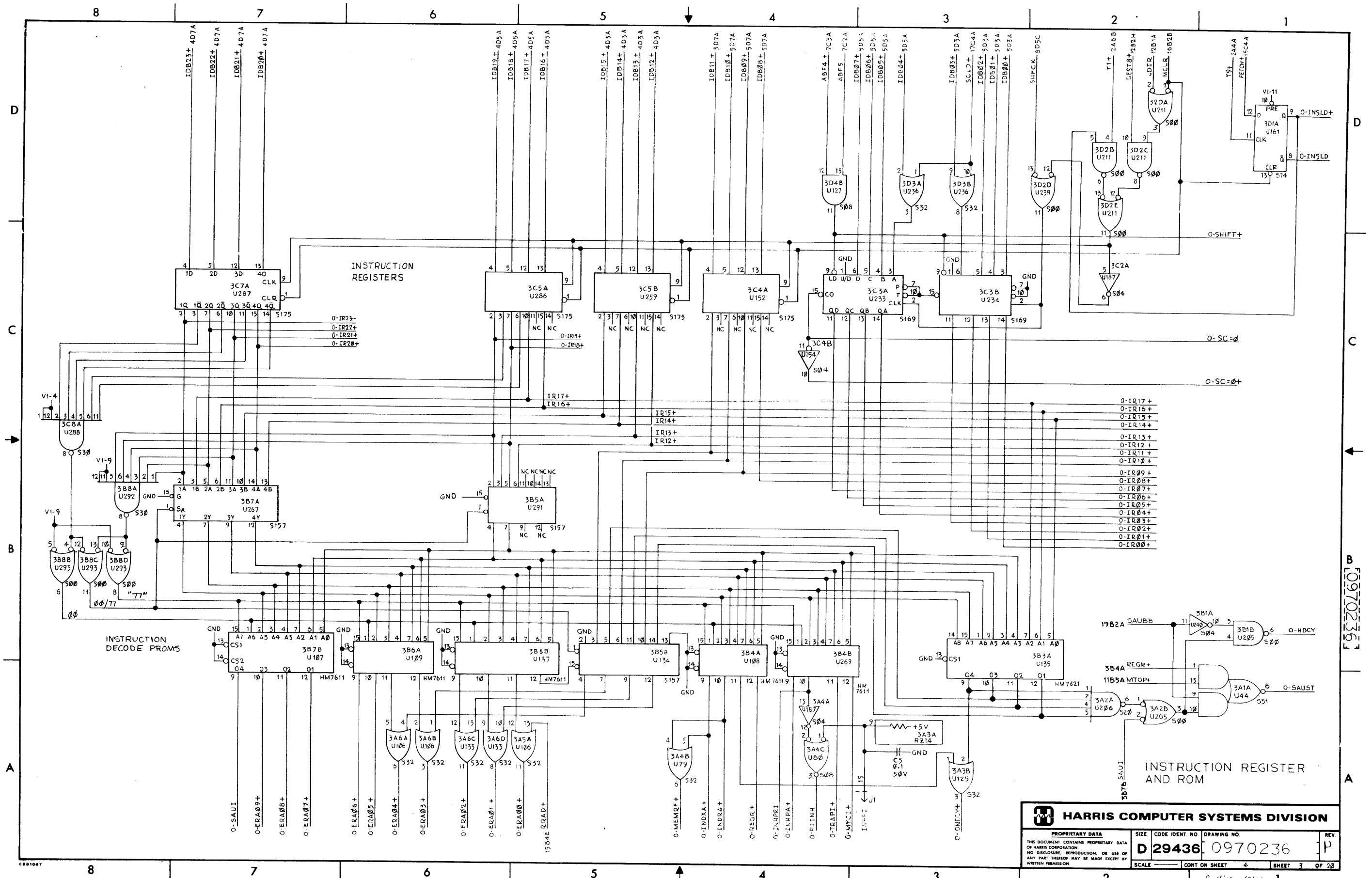
HARRIS COMPUTER SYSTEMS DIVISION

LOGIC DIAGRAM
CPU-1 MAINFRAME

PROPRIETARY DATA
THIS DOCUMENT CONTAINS PROPRIETARY DATA OF HARRIS CORPORATION. NO DISCLOSURE, REPRODUCTION OR USE OF ANY PART THEREOF MAY BE MADE EXCEPT BY WRITTEN PERMISSION.

SIZE CODE IDENT NO DRAWING NO
D 29436 0970236

SCALE CONT ON SHEET 2 SHEET 1 OF 20



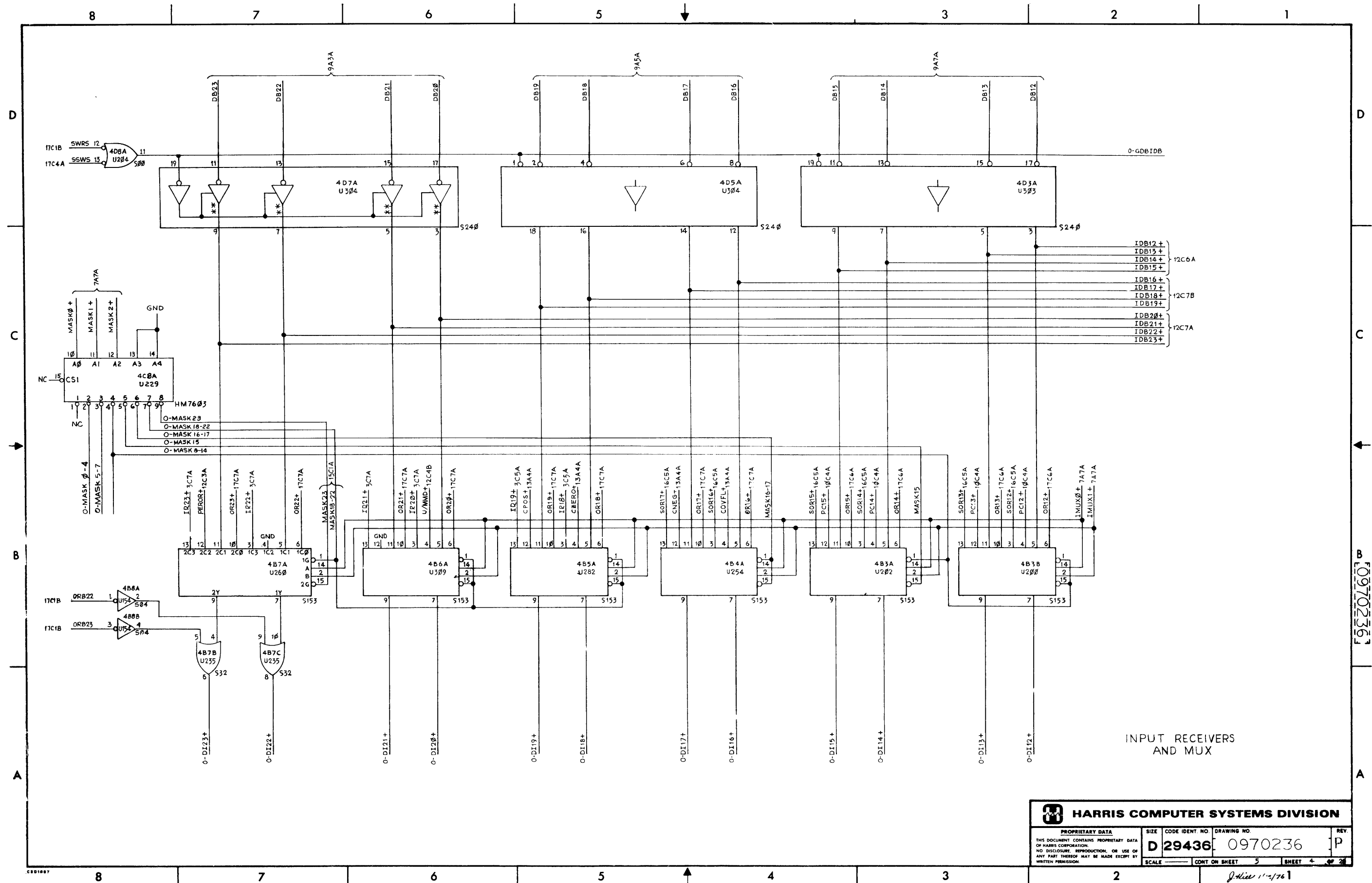
HARRIS COMPUTER SYSTEMS DIVISION

PROPRIETARY DATA

THIS DOCUMENT CONTAINS PROPRIETARY DATA OF HARRIS CORPORATION. NO DISCLOSURE, REPRODUCTION, OR USE OF ANY PART THEREOF MAY BE MADE EXCEPT BY WRITTEN PERMISSION.

SIZE	CODE IDENT NO	DRAWING NO	REV
D	29436	0970236	P
SCALE	CONT ON SHEET 4		SHEET 3 OF 28

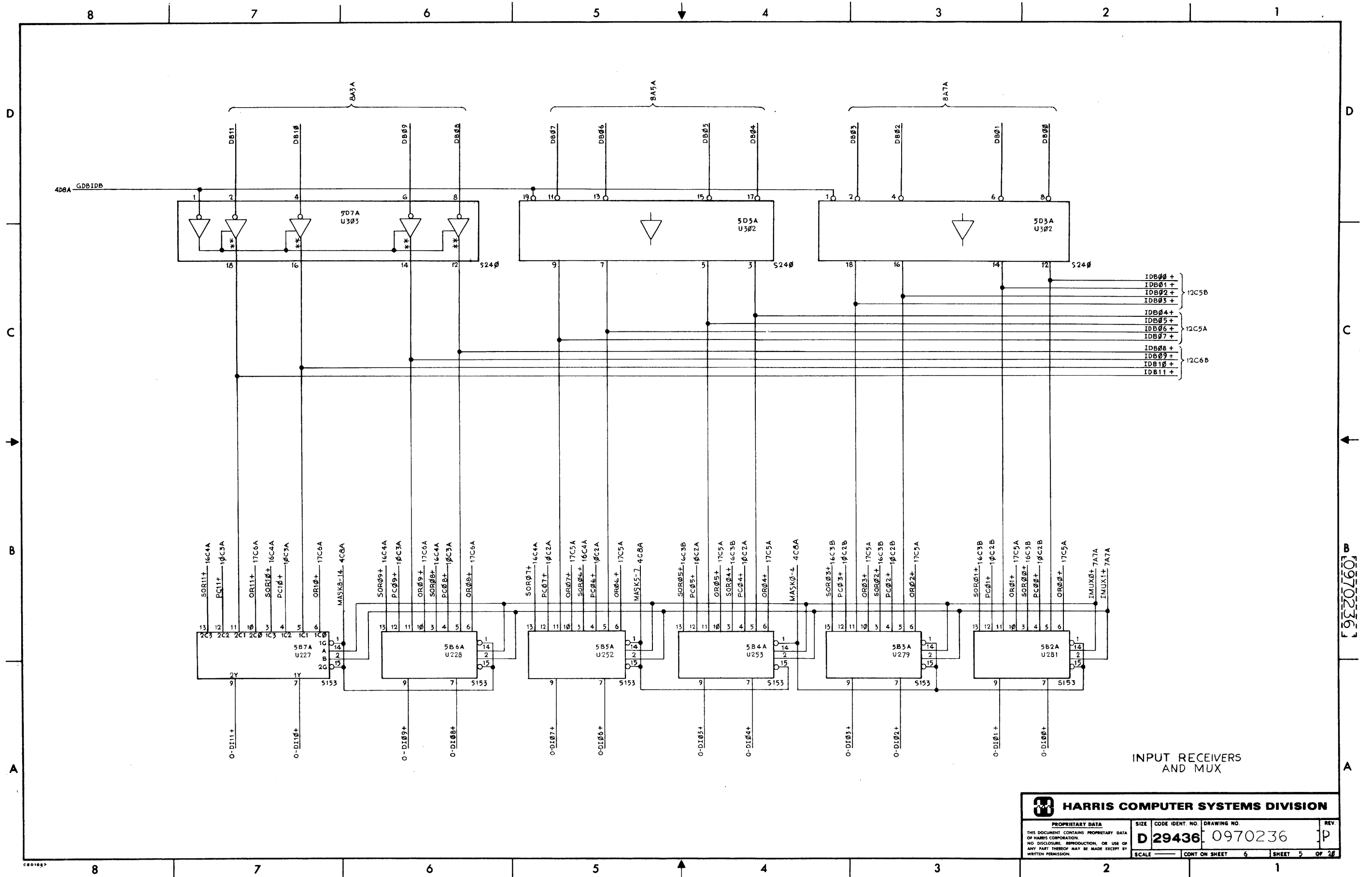
J. Hill 1/8/76



HARRIS COMPUTER SYSTEMS DIVISION

PROPRIETARY DATA THIS DOCUMENT CONTAINS PROPRIETARY DATA OF HARRIS CORPORATION. NO DISCLOSURE, REPRODUCTION, OR USE OF ANY PART THEREOF MAY BE MADE EXCEPT BY WRITTEN PERMISSION.	SIZE D 29436	CODE IDENT. NO. 0970236	DRAWING NO. 0970236	REV. P
SCALE		CONT. ON SHEET 5		SHEET 4

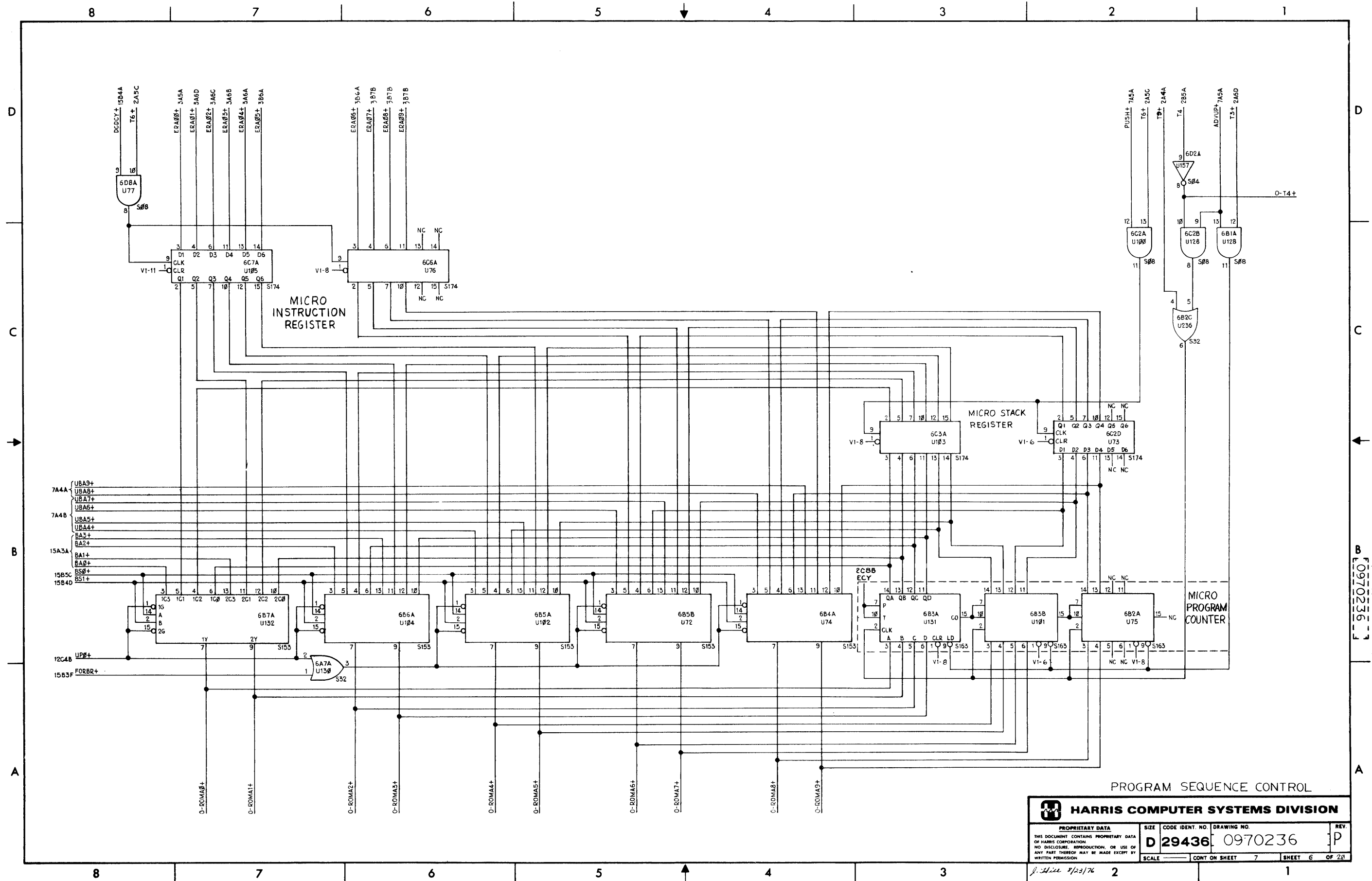
Julius 11-2/76 1



HARRIS COMPUTER SYSTEMS DIVISION

PROPRIETARY DATA
 THIS DOCUMENT CONTAINS PROPRIETARY DATA OF HARRIS CORPORATION. NO DISCLOSURE, REPRODUCTION, OR USE OF ANY PART THEREOF MAY BE MADE EXCEPT BY WRITTEN PERMISSION.

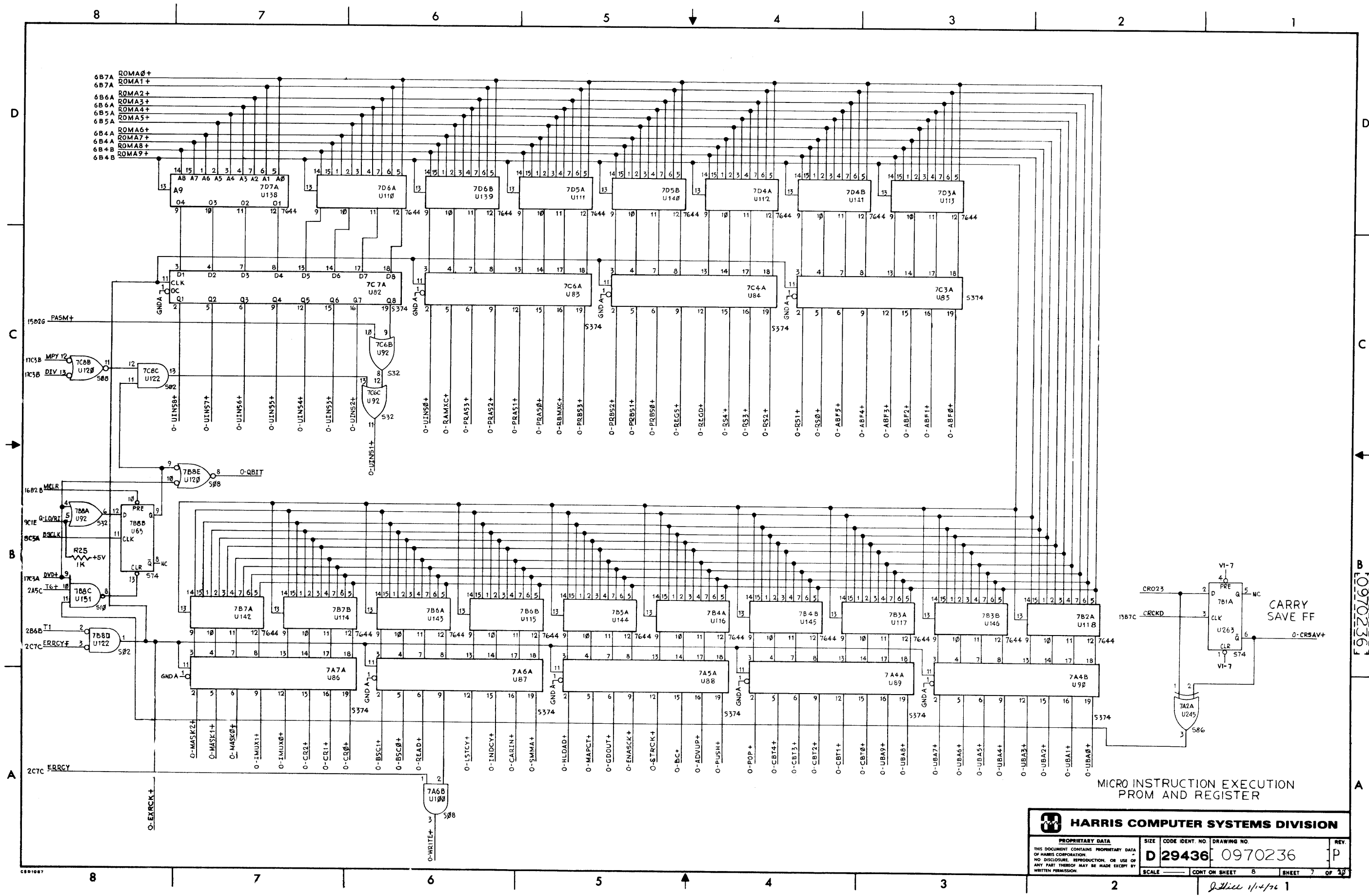
SIZE	CODE IDENT. NO.	DRAWING NO.	REV.
D 29436	0970236		P
SCALE		CONT ON SHEET 6	SHEET 5 OF 28



PROGRAM SEQUENCE CONTROL

HARRIS COMPUTER SYSTEMS DIVISION			
PROPRIETARY DATA			
THIS DOCUMENT CONTAINS PROPRIETARY DATA OF HARRIS CORPORATION. NO DISCLOSURE, REPRODUCTION, OR USE OF ANY PART THEREOF MAY BE MADE EXCEPT BY WRITTEN PERMISSION.			
SIZE	CODE IDENT. NO.	DRAWING NO.	REV.
D	29436	0970236	P
SCALE		CONT ON SHEET 7	SHEET 6 OF 20

J. Hill 2/23/76



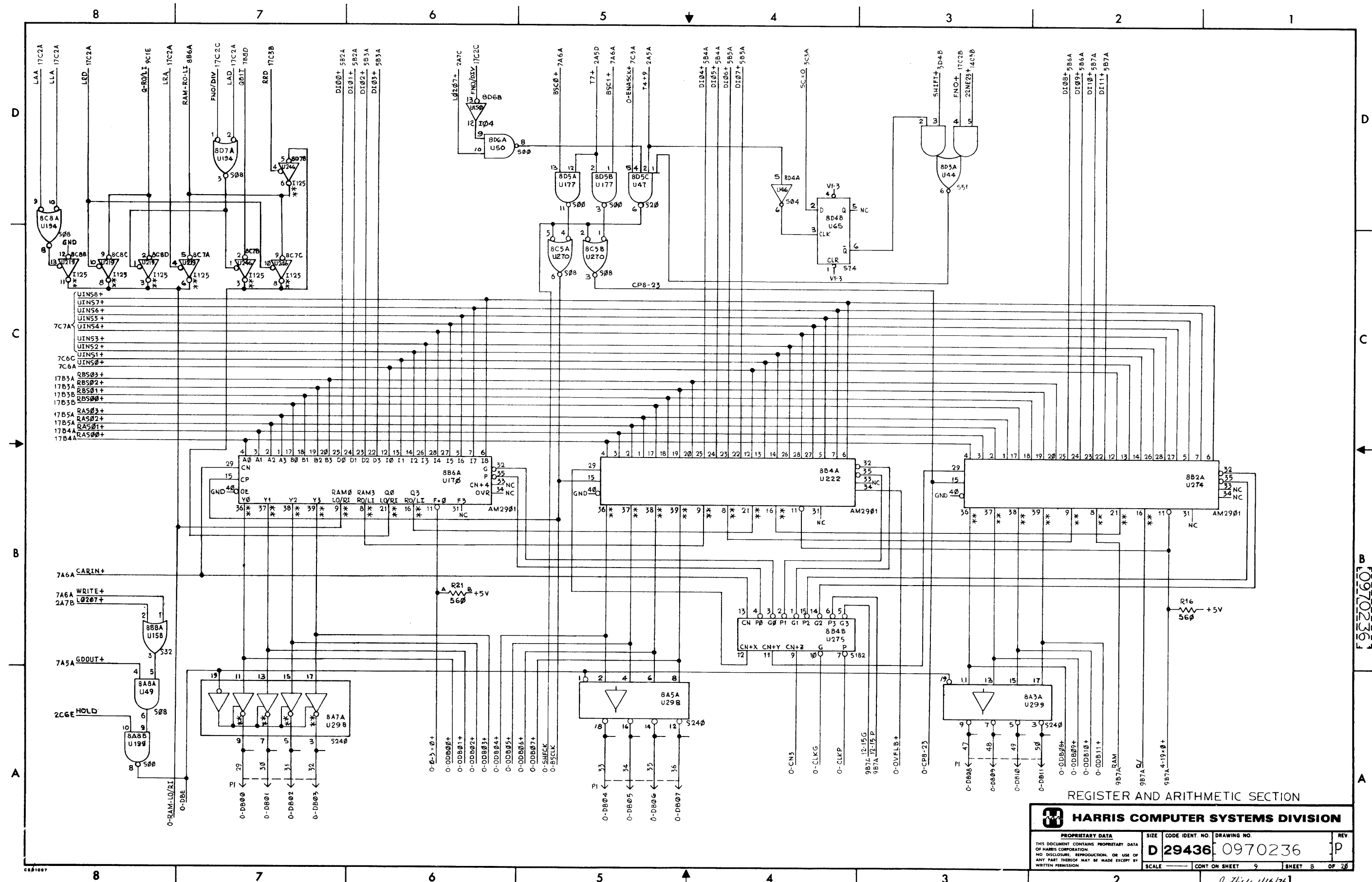
HARRIS COMPUTER SYSTEMS DIVISION

PROPRIETARY DATA
THIS DOCUMENT CONTAINS PROPRIETARY DATA OF HARRIS CORPORATION. NO DISCLOSURE, REPRODUCTION, OR USE OF ANY PART THEREOF, MAY BE MADE EXCEPT BY WRITTEN PERMISSION.

SIZE CODE IDENT. NO. DRAWING NO. REV.
D 29436 0970236 P

SCALE CONT ON SHEET 8 SHEET 7 OF 10

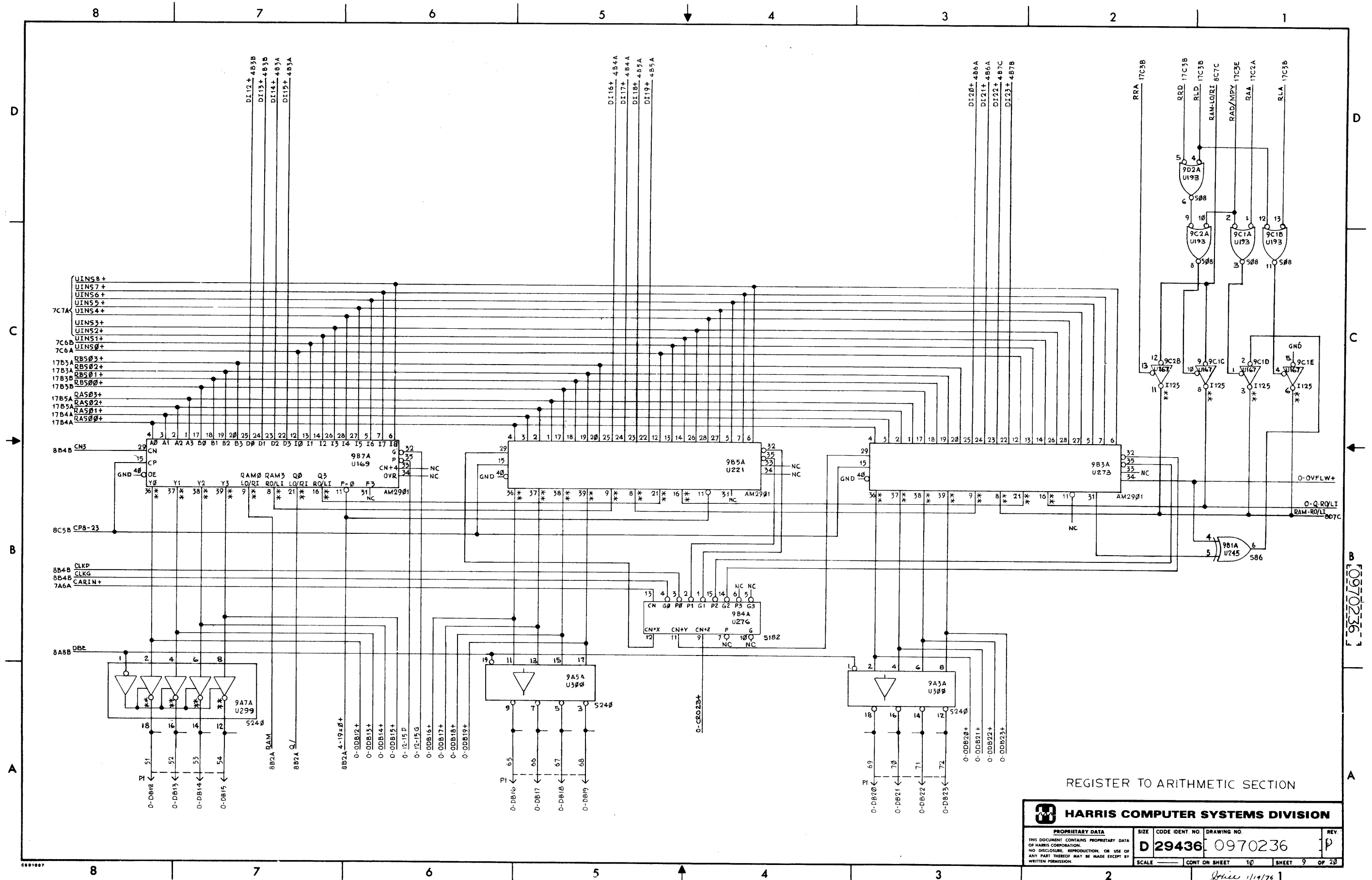
DATE 1/1/78



REGISTER AND ARITHMETIC SECTION

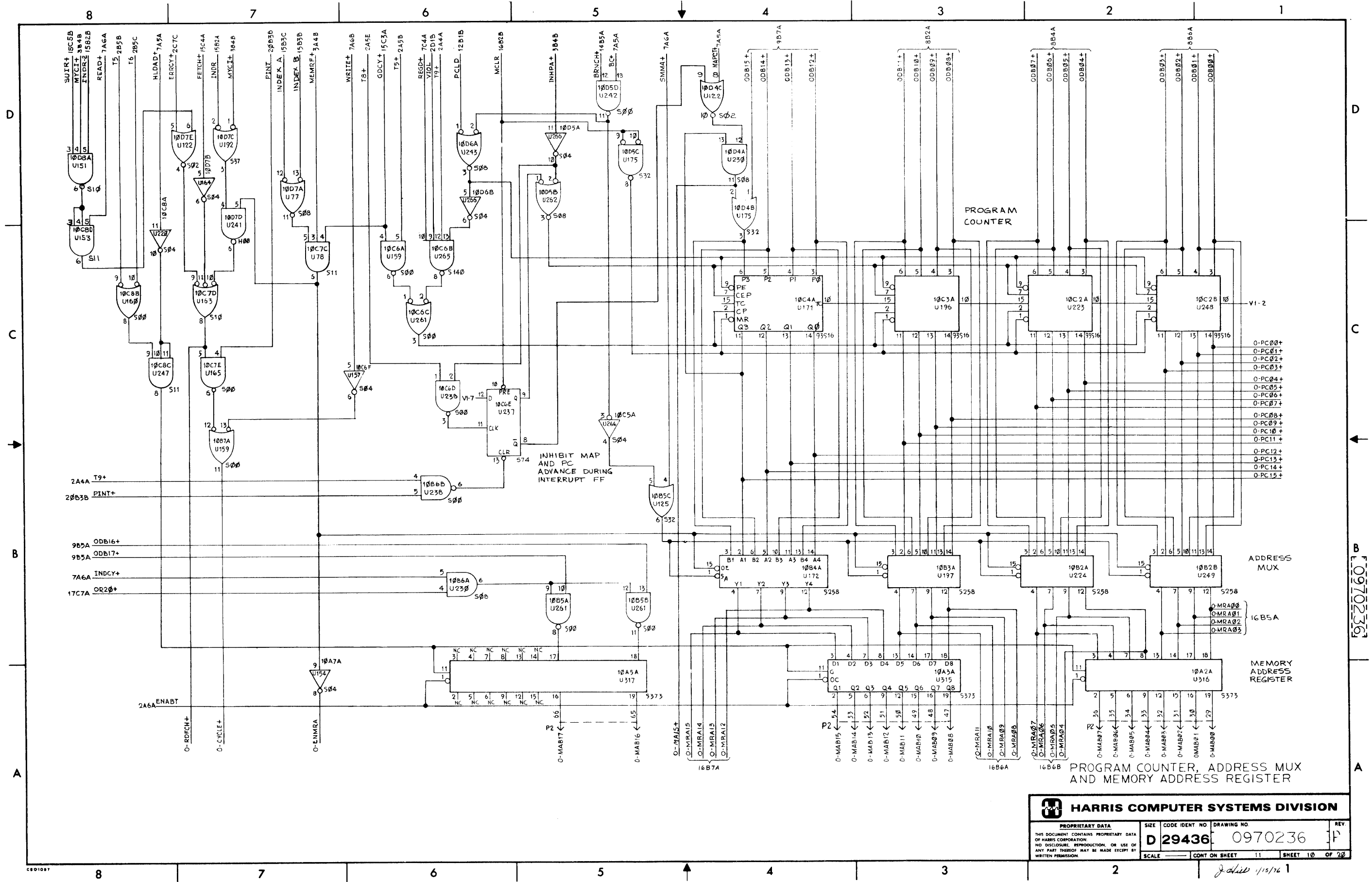
HARRIS COMPUTER SYSTEMS DIVISION

PROPRIETARY DATA	SIZE	CODE IDENT. NO.	DRAWING NO.	REV.
THIS DOCUMENT CONTAINS PROPRIETARY DATA OF HARRIS CORPORATION. NO DISCLOSURE, REPRODUCTION, OR USE OF ANY PART THEREOF MAY BE MADE EXCEPT BY WRITTEN PERMISSION.	D	29436	0970236	P
SCALE	CONT. ON SHEET	9	SHEET	8 OF 20



REGISTER TO ARITHMETIC SECTION

HARRIS COMPUTER SYSTEMS DIVISION		REV. P
PROPRIETARY DATA THIS DOCUMENT CONTAINS PROPRIETARY DATA OF HARRIS CORPORATION. NO DISCLOSURE, REPRODUCTION, OR USE OF ANY PART THEREOF MAY BE MADE EXCEPT BY WRITTEN PERMISSION.		SCALE: CONT ON SHEET 10 SHEET 9 OF 20
D 29436	0970236	
<i>Janice 1/10/76 1</i>		



HARRIS COMPUTER SYSTEMS DIVISION

PROPRIETARY DATA

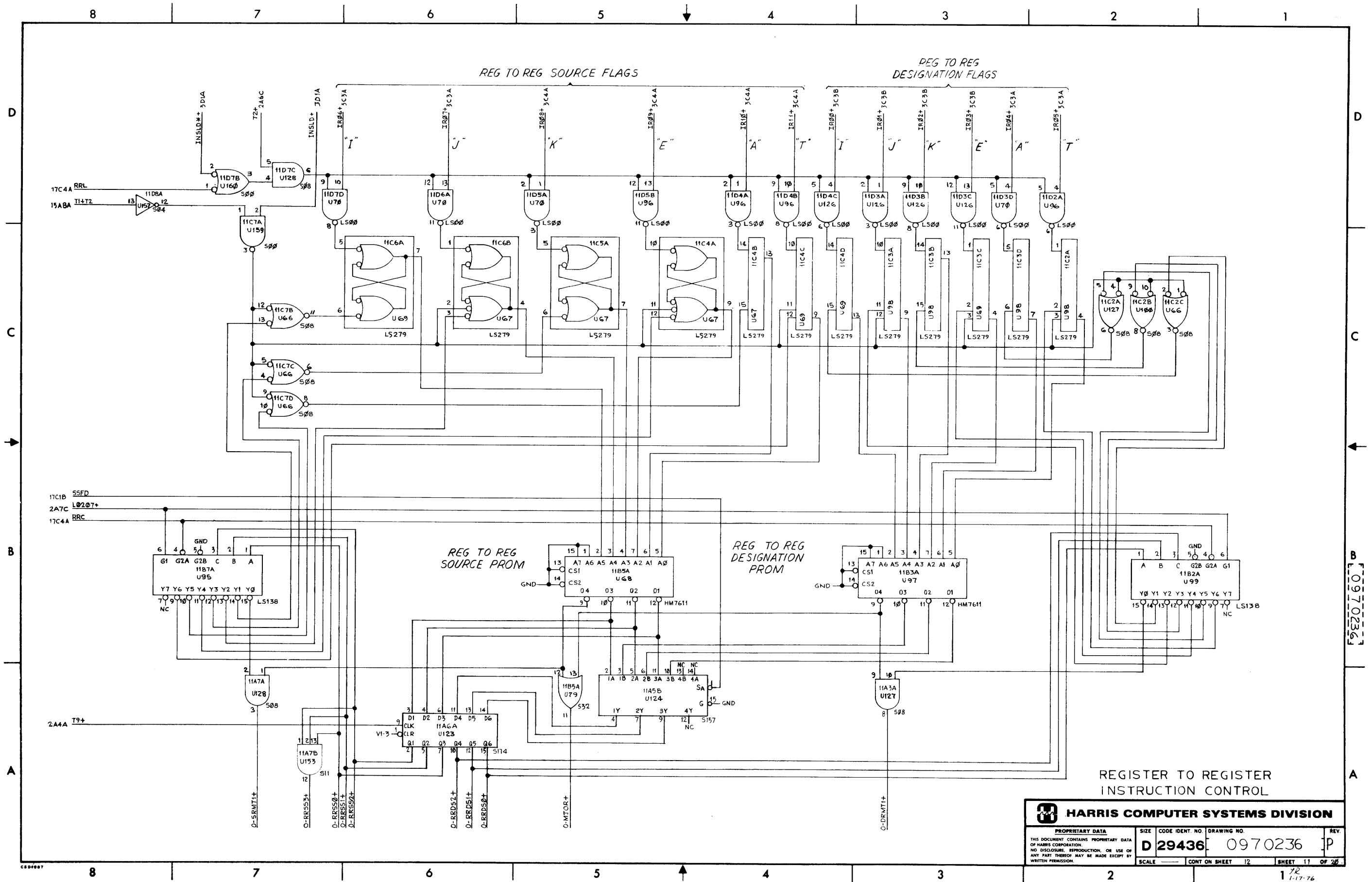
SIZE	CODE IDENT NO	DRAWING NO	REV
D	29436	0970236	F

NO DISCLOSURE, REPRODUCTION, OR USE OF ANY PART THEREOF MAY BE MADE EXCEPT BY WRITTEN PERMISSION.

SCALE: CONT ON SHEET 11 SHEET 10 OF 20

0970236

John 1/15/76 1



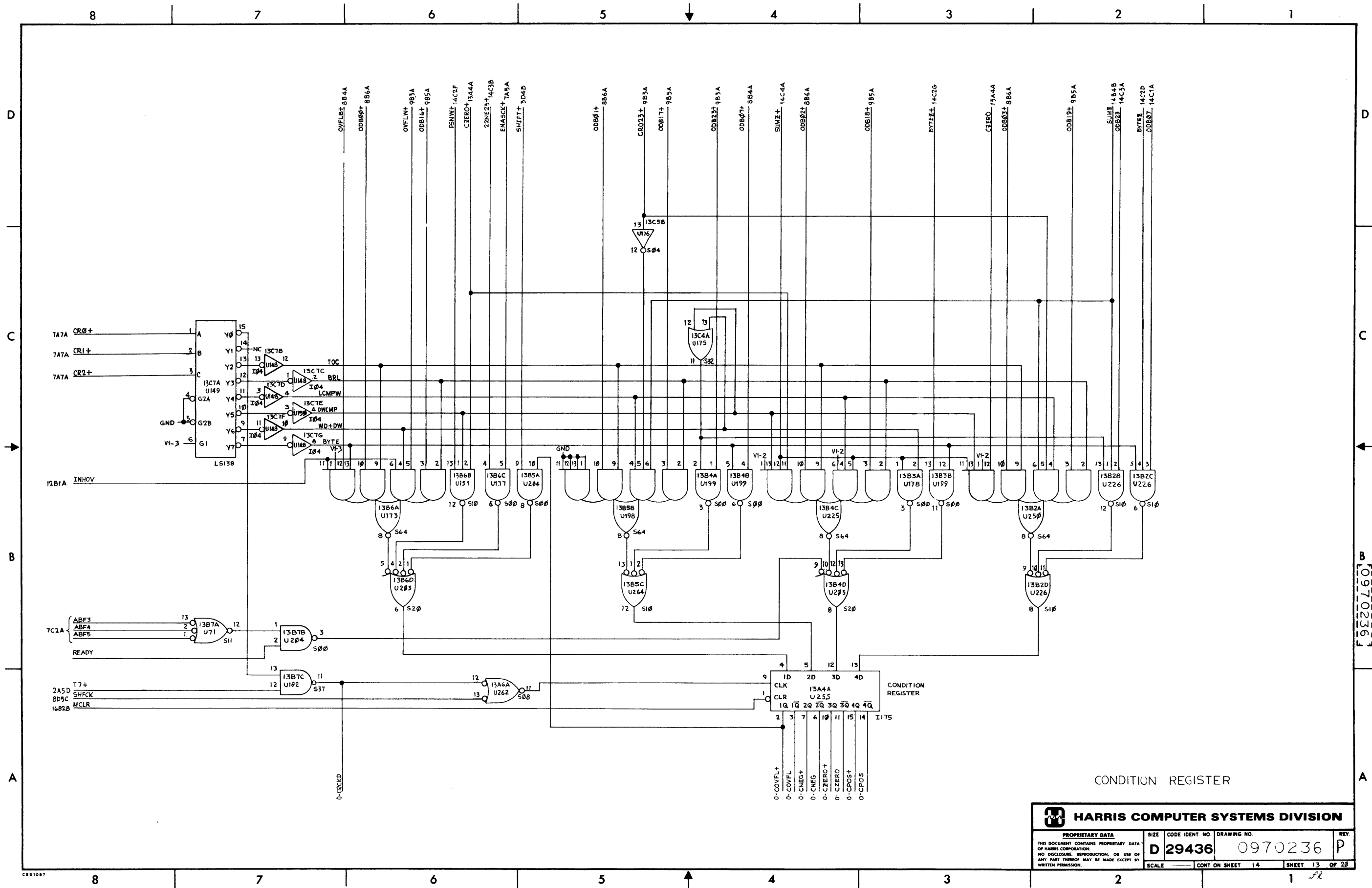
HARRIS COMPUTER SYSTEMS DIVISION

PROPRIETARY DATA

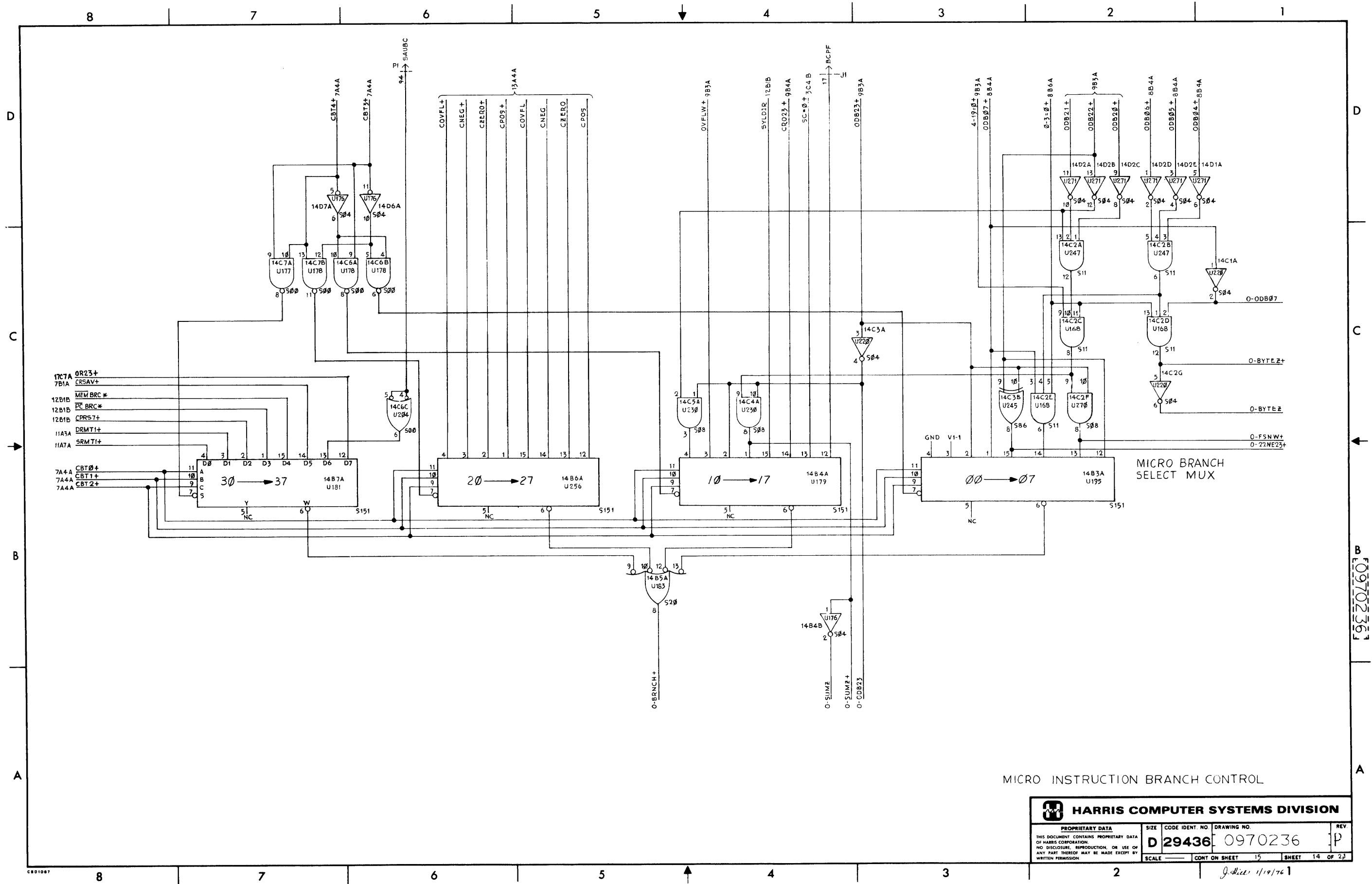
THIS DOCUMENT CONTAINS PROPRIETARY DATA OF HARRIS CORPORATION. NO DISCLOSURE, REPRODUCTION, OR USE OF ANY PART THEREOF MAY BE MADE EXCEPT BY WRITTEN PERMISSION.

SIZE: D 29436
 CODE IDENT. NO.: 0970236
 DRAWING NO.: 0970236
 REV.: P

SCALE: CONT ON SHEET 12
 SHEET 11 OF 26



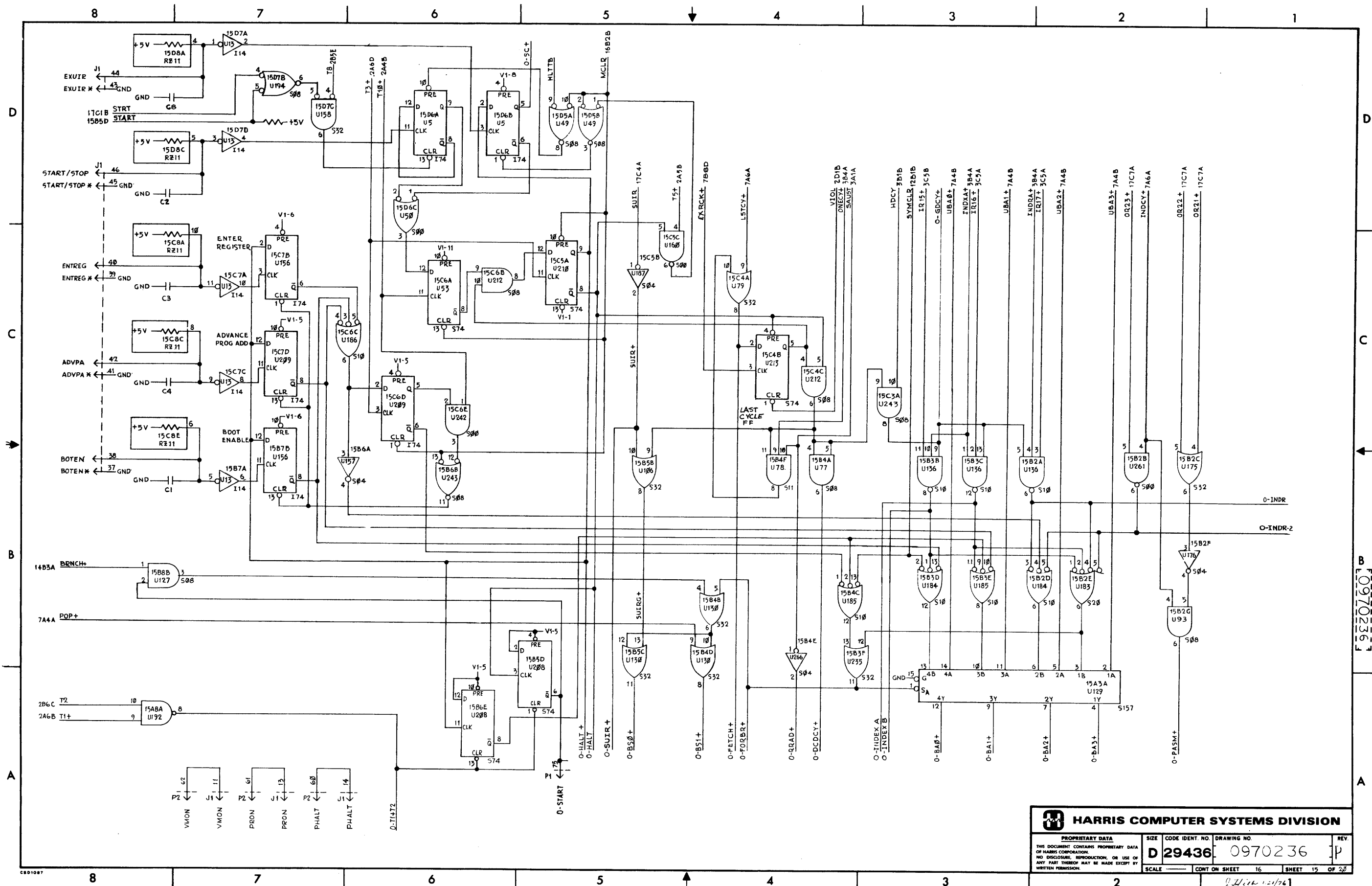
HARRIS COMPUTER SYSTEMS DIVISION			
<small>PROPRIETARY DATA THIS DOCUMENT CONTAINS PROPRIETARY DATA OF HARRIS CORPORATION. NO DISCLOSURE, REPRODUCTION, OR USE OF ANY PART THEREOF MAY BE MADE EXCEPT BY WRITTEN PERMISSION.</small>			
SIZE	CODE IDENT. NO.	DRAWING NO.	REV.
D	29436	0970236	P
SCALE	CONT ON SHEET 14	SHEET 13	OF 20



MICRO INSTRUCTION BRANCH CONTROL

HARRIS COMPUTER SYSTEMS DIVISION			
PROPRIETARY DATA THIS DOCUMENT CONTAINS PROPRIETARY DATA OF HARRIS CORPORATION. NO DISCLOSURE, REPRODUCTION, OR USE OF ANY PART THEREOF MAY BE MADE EXCEPT BY WRITTEN PERMISSION.			
SIZE	CODE IDENT. NO.	DRAWING NO.	REV.
D	29436	0970236	P
SCALE	CONT. ON SHEET	SHEET	OF 23
	15	14	

J. Hill 1/19/76



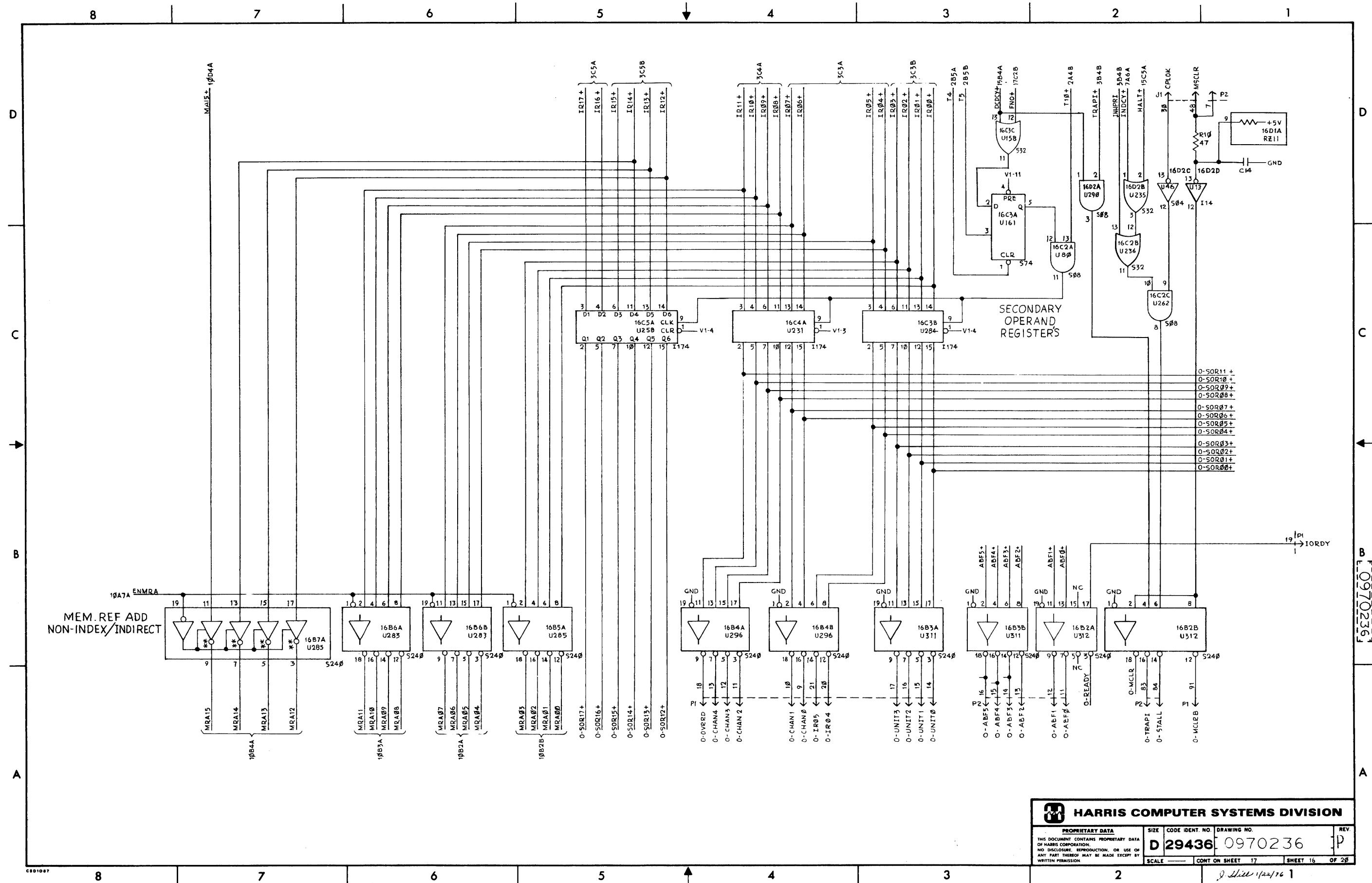
HARRIS COMPUTER SYSTEMS DIVISION

PROPRIETARY DATA

THIS DOCUMENT CONTAINS PROPRIETARY DATA OF HARRIS CORPORATION. NO DISCLOSURE, REPRODUCTION, OR USE OF ANY PART THEREOF MAY BE MADE EXCEPT BY WRITTEN PERMISSION.

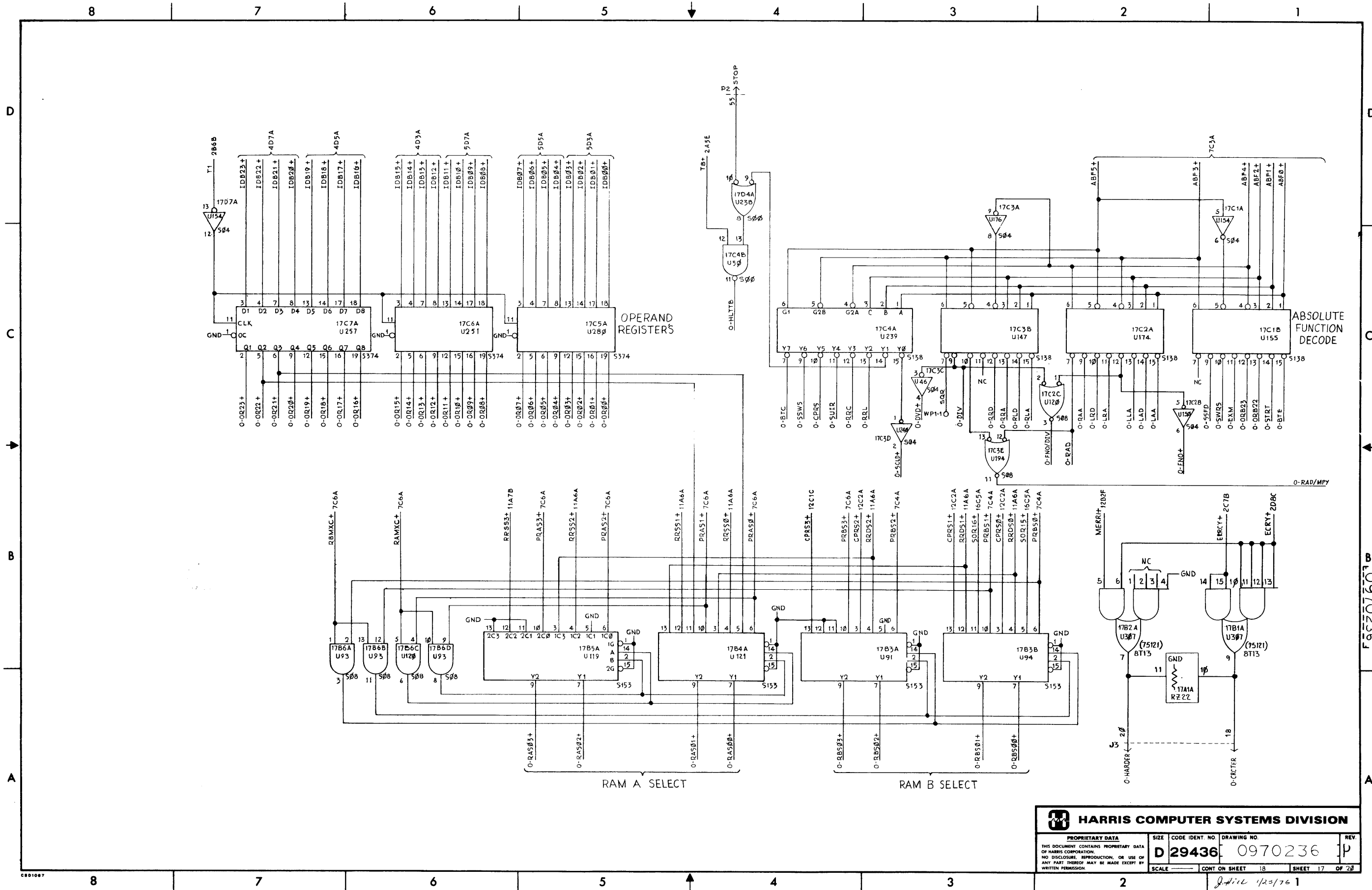
SIZE	CODE IDENT. NO.	DRAWING NO.	REV.
D	29436	0970236	P
SCALE	CONT ON SHEET	16	SHEET 15 OF 28

J. Wick 1-21-76



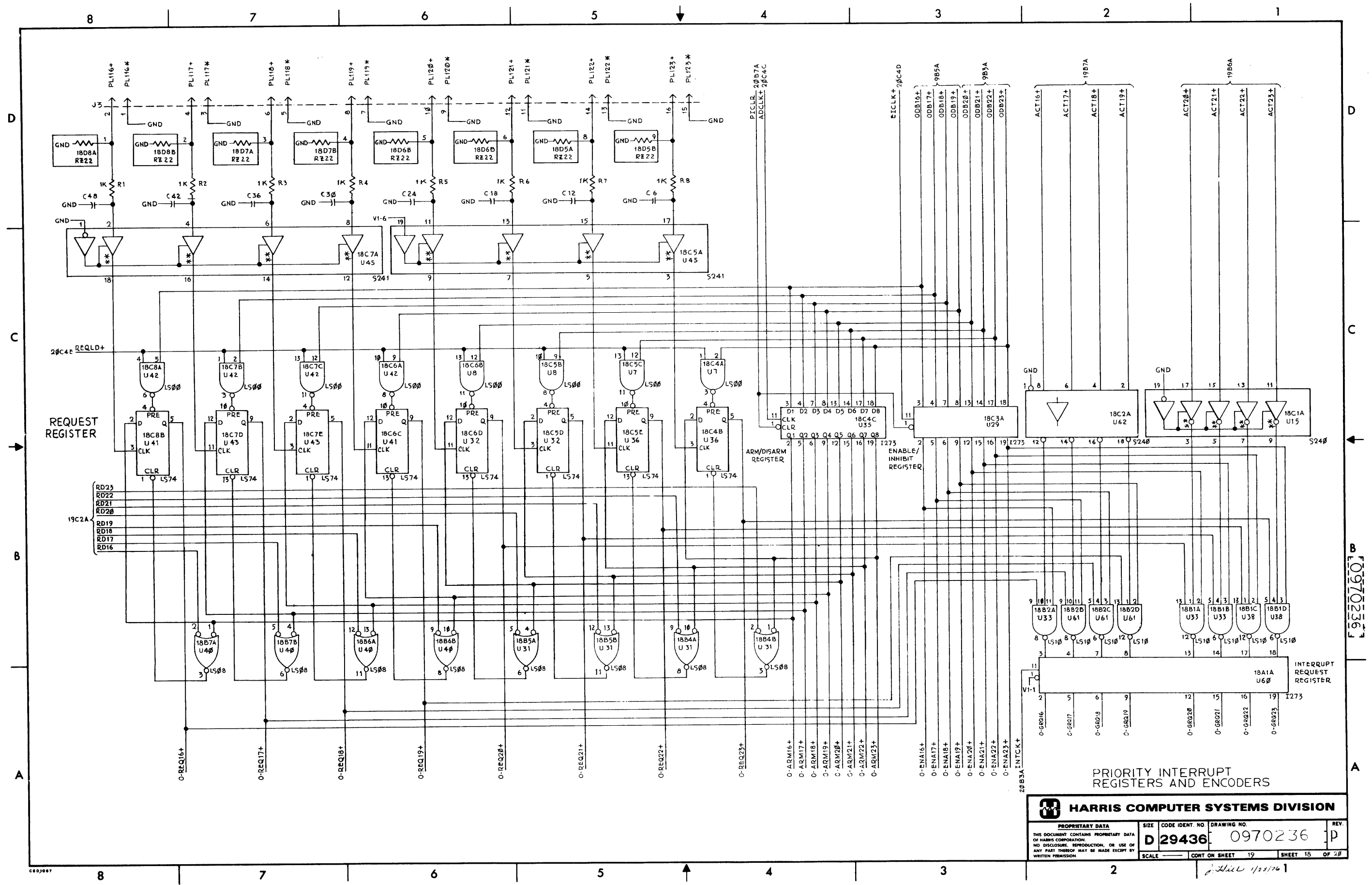
HARRIS COMPUTER SYSTEMS DIVISION			
PROPRIETARY DATA THIS DOCUMENT CONTAINS PROPRIETARY DATA OF HARRIS CORPORATION. NO DISCLOSURE, REPRODUCTION, OR USE OF ANY PART THEREOF MAY BE MADE EXCEPT BY WRITTEN PERMISSION.			
SIZE D 29436	CODE IDENT. NO. 0970236	DRAWING NO. 0970236	REV. P
SCALE _____	CONT ON SHEET 17	SHEET 16	OF 28

J. Hill 1/22/76 1



HARRIS COMPUTER SYSTEMS DIVISION			
<small>PROPRIETARY DATA THIS DOCUMENT CONTAINS PROPRIETARY DATA OF HARRIS CORPORATION. NO DISCLOSURE, REPRODUCTION, OR USE OF ANY PART THEREOF MAY BE MADE EXCEPT BY WRITTEN PERMISSION.</small>			
SIZE	CODE IDENT. NO.	DRAWING NO.	REV.
D	29436	0970236	P
SCALE	CONT ON SHEET	18	SHEET 17 OF 20

Handwritten: J-Hill 1/23/76 1

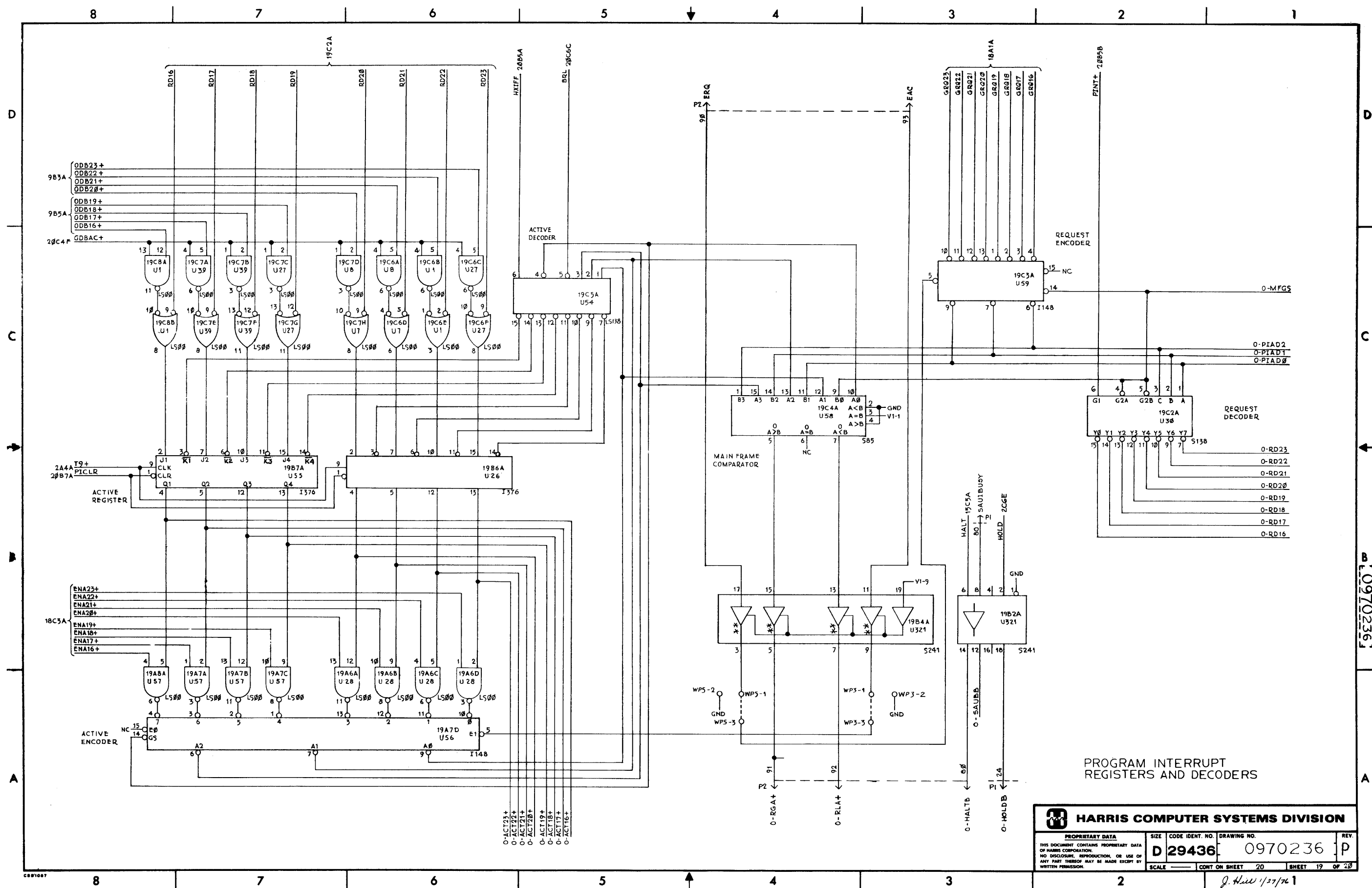


PRIORITY INTERRUPT
REGISTERS AND ENCODERS

HARRIS COMPUTER SYSTEMS DIVISION

PROPRIETARY DATA	SIZE	CODE IDENT. NO.	DRAWING NO.	REV.
THIS DOCUMENT CONTAINS PROPRIETARY DATA OF HARRIS CORPORATION. NO DISCLOSURE, REPRODUCTION, OR USE OF ANY PART THEREOF MAY BE MADE EXCEPT BY WRITTEN PERMISSION.	D	29436	0970236	P
SCALE		CONT ON SHEET 19		SHEET 18 OF 28

J. J. L. 1/23/78 1

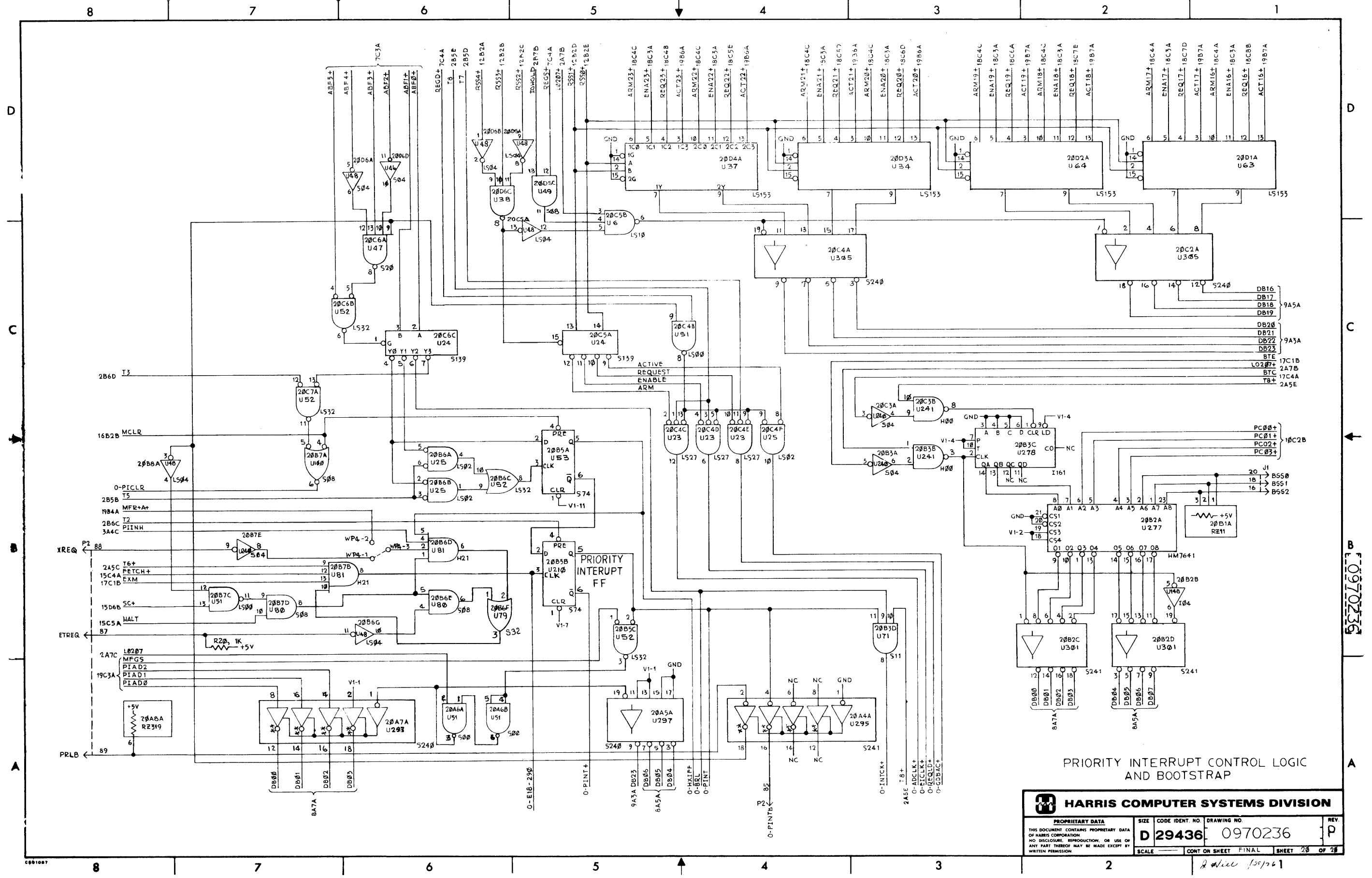


PROGRAM INTERRUPT
REGISTERS AND DECODERS

HARRIS COMPUTER SYSTEMS DIVISION

PROPRIETARY DATA THIS DOCUMENT CONTAINS PROPRIETARY DATA OF HARRIS CORPORATION. NO DISCLOSURE, REPRODUCTION, OR USE OF ANY PART THEREOF MAY BE MADE EXCEPT BY WRITTEN PERMISSION.	SIZE D	CODE IDENT. NO. 29436	DRAWING NO. 0970236	REV. P
SCALE CONT ON SHEET 20			SHEET 19 OF 20	

J. Hall 1/27/76



PRIORITY INTERRUPT CONTROL LOGIC AND BOOTSTRAP

HARRIS COMPUTER SYSTEMS DIVISION			
PROPRIETARY DATA THIS DOCUMENT CONTAINS PROPRIETARY DATA OF HARRIS CORPORATION. NO DISCLOSURE, REPRODUCTION, OR USE OF ANY PART THEREOF MAY BE MADE EXCEPT BY WRITTEN PERMISSION.	SIZE D 29436	CODE IDENT. NO. 0970236	DRAWING NO. 0970236
SCALE	CONT ON SHEET	FINAL	SHEET 28 OF 28

8

7

6

5

4

3

2

1

REVISIONS			
LTR	DESCRIPTION	DATE	APPROVED
A	ECP0976C376-1 REV 0, CORRECT DWG. NR. SHT 2	9-23-76	<i>[Signature]</i>
B	ECP1276CS18-4 REV 0, REV SHT 2 PER ECP	1-2-77	<i>[Signature]</i>
C	ECP 0276C100-3 REV 0 ADD C21 ELIMINATE LINE FROM Q11 TO GND	3-18-77	<i>[Signature]</i>

D

D

C

C

B

B

A

A

NOTES:
1. UNLESS OTHERWISE SPECIFIED:
ALL RESISTANCE VALUE ARE IN OHMS, $\pm 5\%$, 1/4W.
ALL CAPACITANCE VALUES ARE IN MICROFARADS.

P 0970242 J

ALL DIMENSIONS ARE IN INCHES UNLESS OTHERWISE SPECIFIED		HARRIS COMPUTER SYSTEMS DIVISION	
TOLERANCES X .1 ANGLE .1 XX .05 HOLE .1 XXX .0 SURFACE ROUGHNESS		DRAFTSMAN <i>[Signature]</i> 9-23-76	LOGIC DIAGRAM POWER FAIL SHUTDOWN/ RESTART 100/120HZ CLOCK
DEV NO		CHECKER <i>[Signature]</i> 10/24/76	
MATERIAL		PROD ENGR <i>[Signature]</i> 9/24/76	
FINISH		ENGINEER <i>[Signature]</i> 9/24/76	
SLASH 6		PROJ ENGR <i>[Signature]</i> 9-24-76	PROPRIETARY DATA
DASH NO	NEXT ASSY	USED ON	THIS DOCUMENT CONTAINS PROPRIETARY DATA OF HARRIS CORPORATION. NO DISCLOSURE, REPRODUCTION, OR USE OF ANY PART THEREOF MAY BE MADE EXCEPT BY WRITTEN PERMISSION.
APPLICATION		SIZE CODE IDENT NO DRAWING NO	REV
		D 29436 0970242	C
		SCALE - CONT ON SHEET 2	SHEET OF 2

8

7

6

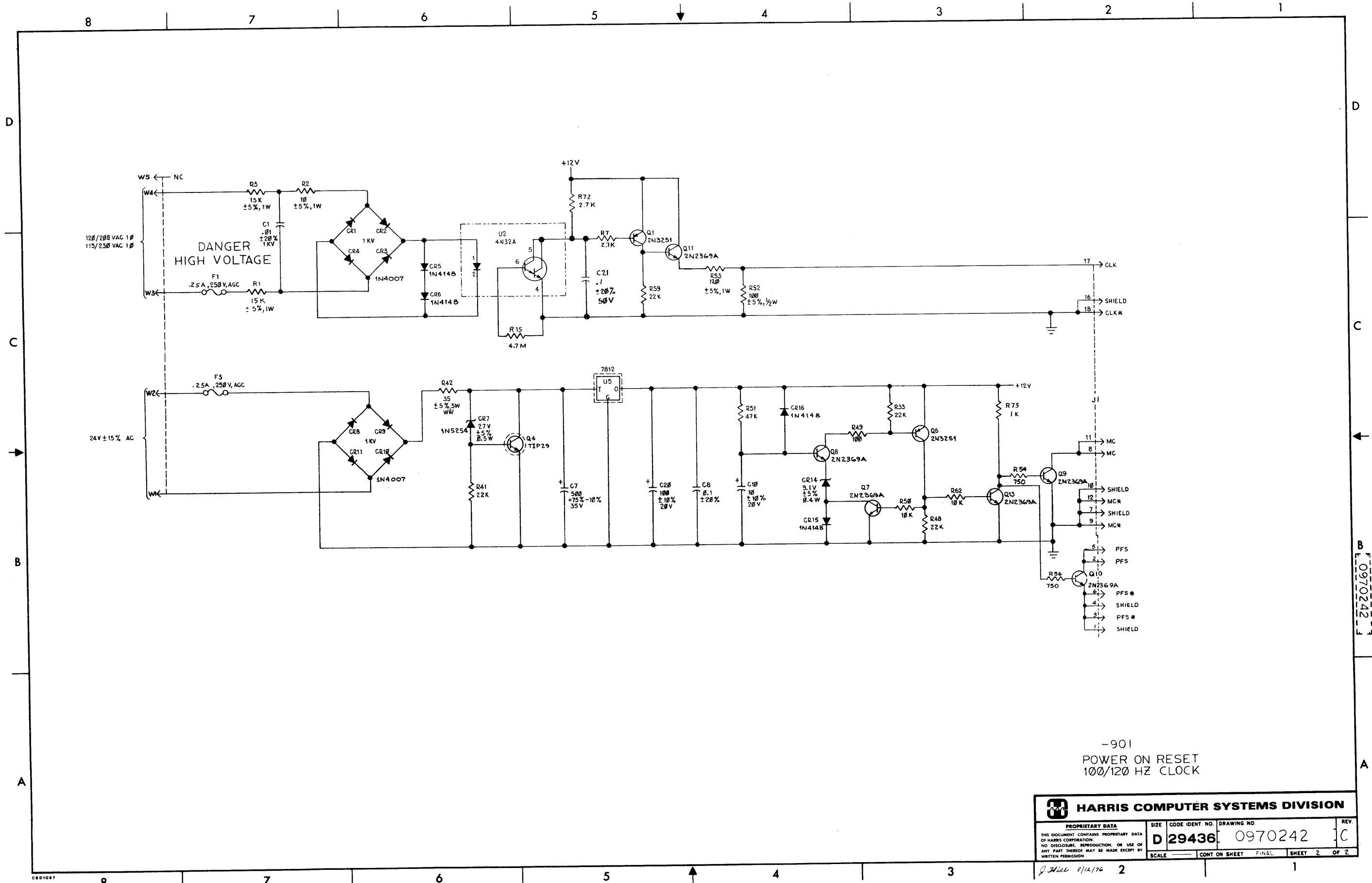
5

4

3

2

1

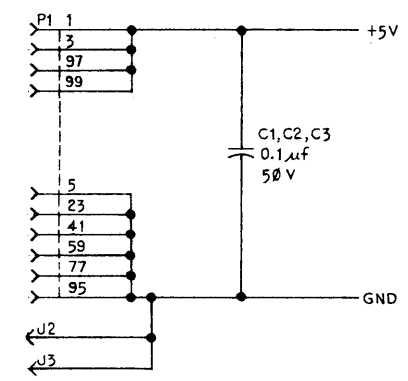
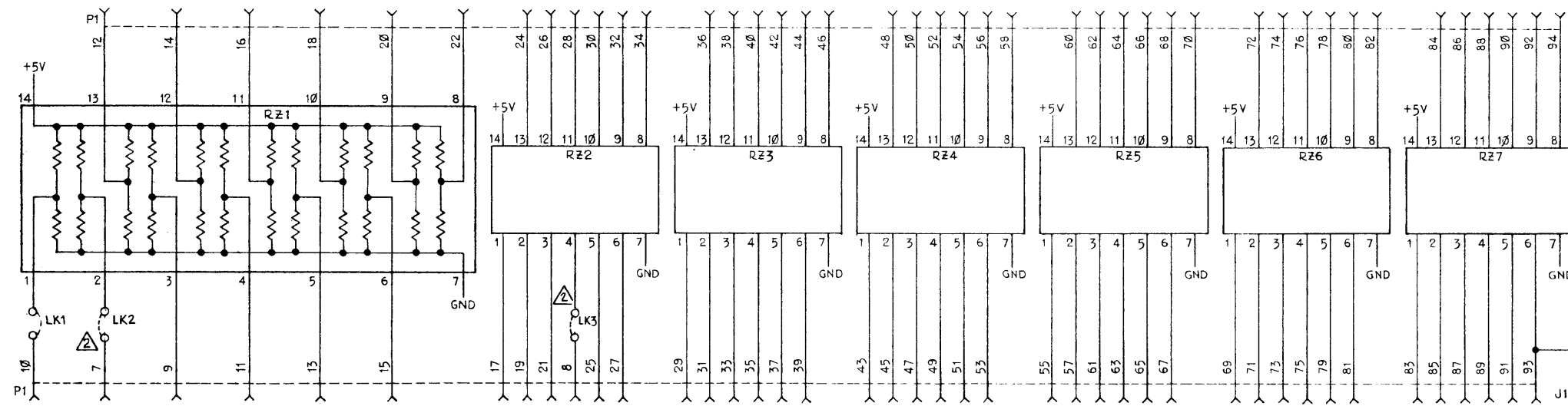


-901
POWER ON RESET
100/120 HZ CLOCK

HARRIS COMPUTER SYSTEMS DIVISION			
PROPRIETARY DATA THIS DOCUMENT CONTAINS PROPRIETARY DATA OF HARRIS CORPORATION. NO DISCLOSURE, REPRODUCTION, OR USE OF ANY PART THEREOF MAY BE MADE EXCEPT BY WRITTEN PERMISSION.	SIZE D 29436	CODE IDENT. NO. 0970242	DRAWING NO. C
SCALE		CONT ON SHEET	FINAL SHEET 2 OF 2

J. Hill 1/12/76

REVISIONS			
LTR	DESCRIPTION	DATE	APPROVED
A	ECP 0277090-5 R1VC, ZONE B6#B8, ADD NOTE 2.	5-12-77	RTU J.R.H.

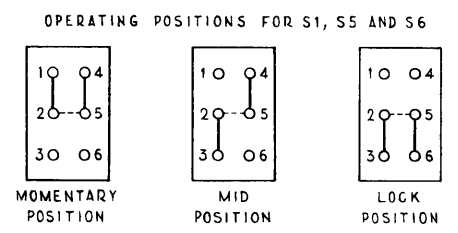
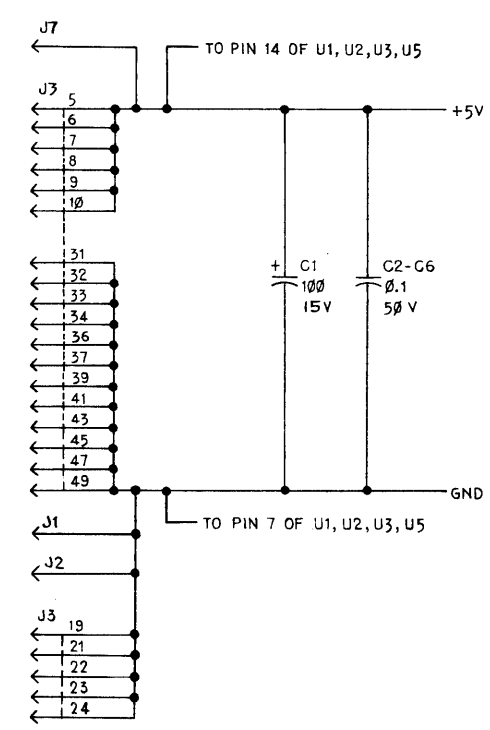


NOTES:
1. RESISTANCE VALUES ARE 243Ω TO +5V AND 390Ω TO GND, ±5%, 3W
 △ LK1 GROUP 901 (J1 TERMINATOR)
 LK1, LK2, LK3 GROUP 902 (J2 TERMINATOR)

ALL DIMENSIONS ARE IN INCHES UNLESS OTHERWISE SPECIFIED		HARRIS COMPUTER SYSTEMS DIVISION	
TOLERANCES		DRAFTSMAN	7/15/76
XX 1	ANGLE 1	CHECKER	1-19-76
XX 2	HOLE	PROD ENGR	7-28-76
XXX 1	SURFACE ROUGHNESS	ENGINEER	7/28/76
DEV NO 42002		PROJ ENGR	7-28-76
MATERIAL		PROPRIETARY DATA THIS DOCUMENT CONTAINS PROPRIETARY DATA OF HARRIS CORPORATION. NO DISCLOSURE, REPRODUCTION, OR USE OF ANY PART THEREOF MAY BE MADE EXCEPT BY WRITTEN PERMISSION.	
901	1570249	SIZE	CODE IDENT NO
DASH NO	NEXT ASSY	USED ON	DRAWING NO
APPLICATION		D 29436 SCALE CONT ON SHEET SHEET 1 OF 1	0970249 REV A

SPARE CIRCUITS		
REF DES	TYPE	SPARES
U4	SPARE	—
U6	SPARE	—

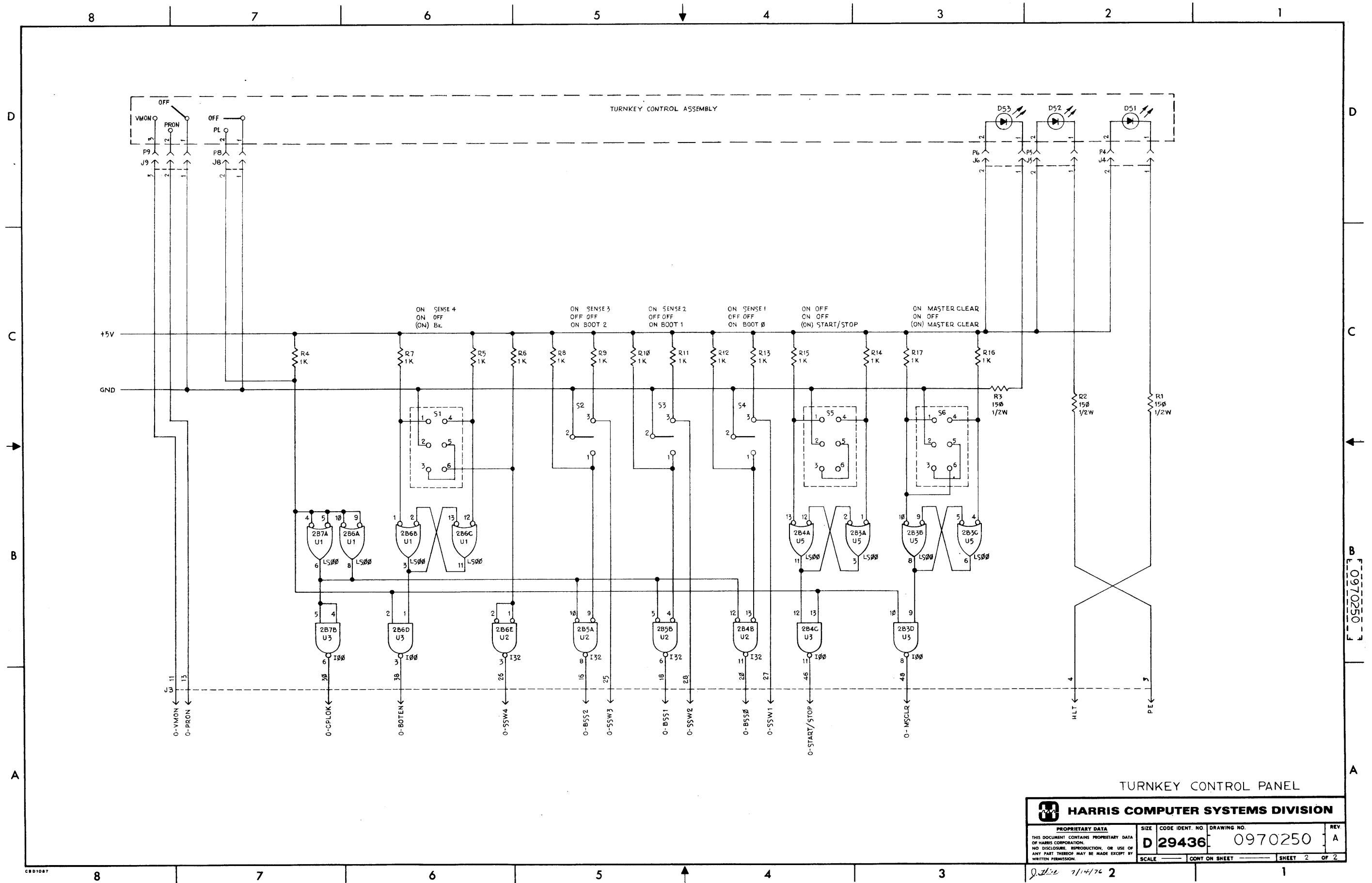
REVISIONS			
LTR	DESCRIPTION	DATE	APPROVED
A	ECP0377C148-2 REV 0	5-16-77	<i>[Signature]</i>



NOTES:
1. UNLESS OTHERWISE SPECIFIED:
RESISTANCE VALUES ARE IN OHMS, ±5%, 1/4 W.
CAPACITANCE VALUES ARE IN MICROFARADS.

ALL DIMENSIONS ARE IN INCHES UNLESS OTHERWISE SPECIFIED		HARRIS COMPUTER SYSTEMS DIVISION	
TOLERANCES		DRAFTSMAN <i>[Signature]</i> 7/16/76	LOGIC DIAGRAM TURNKEY CONTROL PANEL
.1 - .243 ANGLES .25 - .125 HOLE .125 - .250 SURFACE .250 - .500 FINISHNESS		CHECKER <i>[Signature]</i> 7/20/76	
DEV NO 42002		PROD ENGR <i>[Signature]</i> 8-6-76	SIZE CODE IDENT NO DRAWING NO D 29436 0970250
MATERIAL		ENGINEER <i>[Signature]</i> 8/16/76	
FINISH		PROJ ENGR <i>[Signature]</i> 8-6-76	REV A
021 1510220 SLASH 4 DASH NO NEXT ASSY USED ON		PROPRIETARY DATA THIS DOCUMENT CONTAINS PROPRIETARY DATA OF HARRIS CORPORATION. NO DISCLOSURE, REPRODUCTION, OR USE OF ANY PART THEREOF MAY BE MADE EXCEPT BY WRITTEN PERMISSION.	
APPLICATION		SCALE CONT ON SHEET 2 SHEET 1 OF 2	

0970250



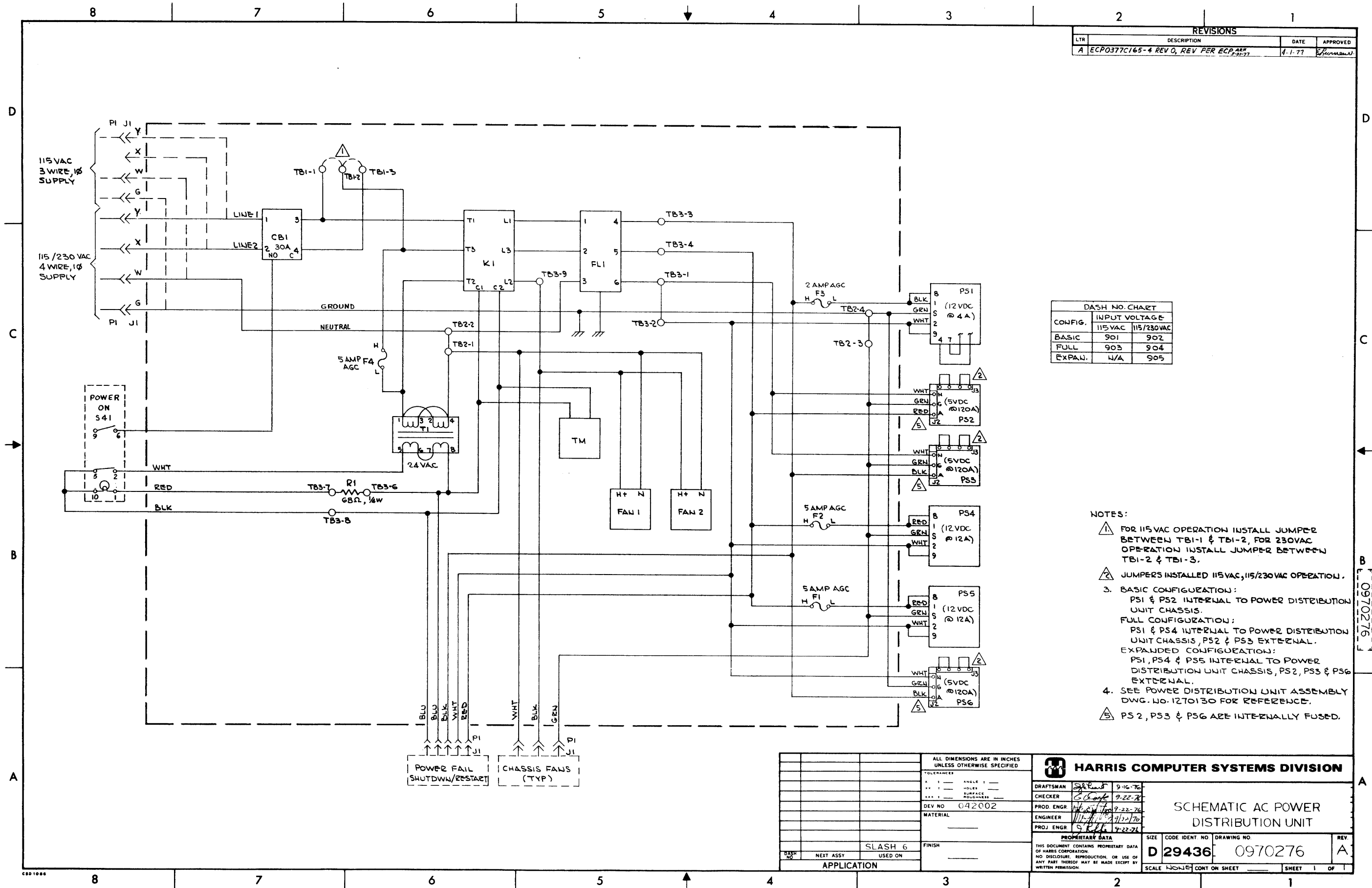
HARRIS COMPUTER SYSTEMS DIVISION			
PROPRIETARY DATA THIS DOCUMENT CONTAINS PROPRIETARY DATA OF HARRIS CORPORATION. NO DISCLOSURE, REPRODUCTION, OR USE OF ANY PART THEREOF MAY BE MADE EXCEPT BY WRITTEN PERMISSION.			
SIZE	CODE IDENT. NO.	DRAWING NO.	REV.
D	29436	0970250	A
SCALE		CONT ON SHEET	SHEET 2 OF 2

J. L. L. 7/14/76 2

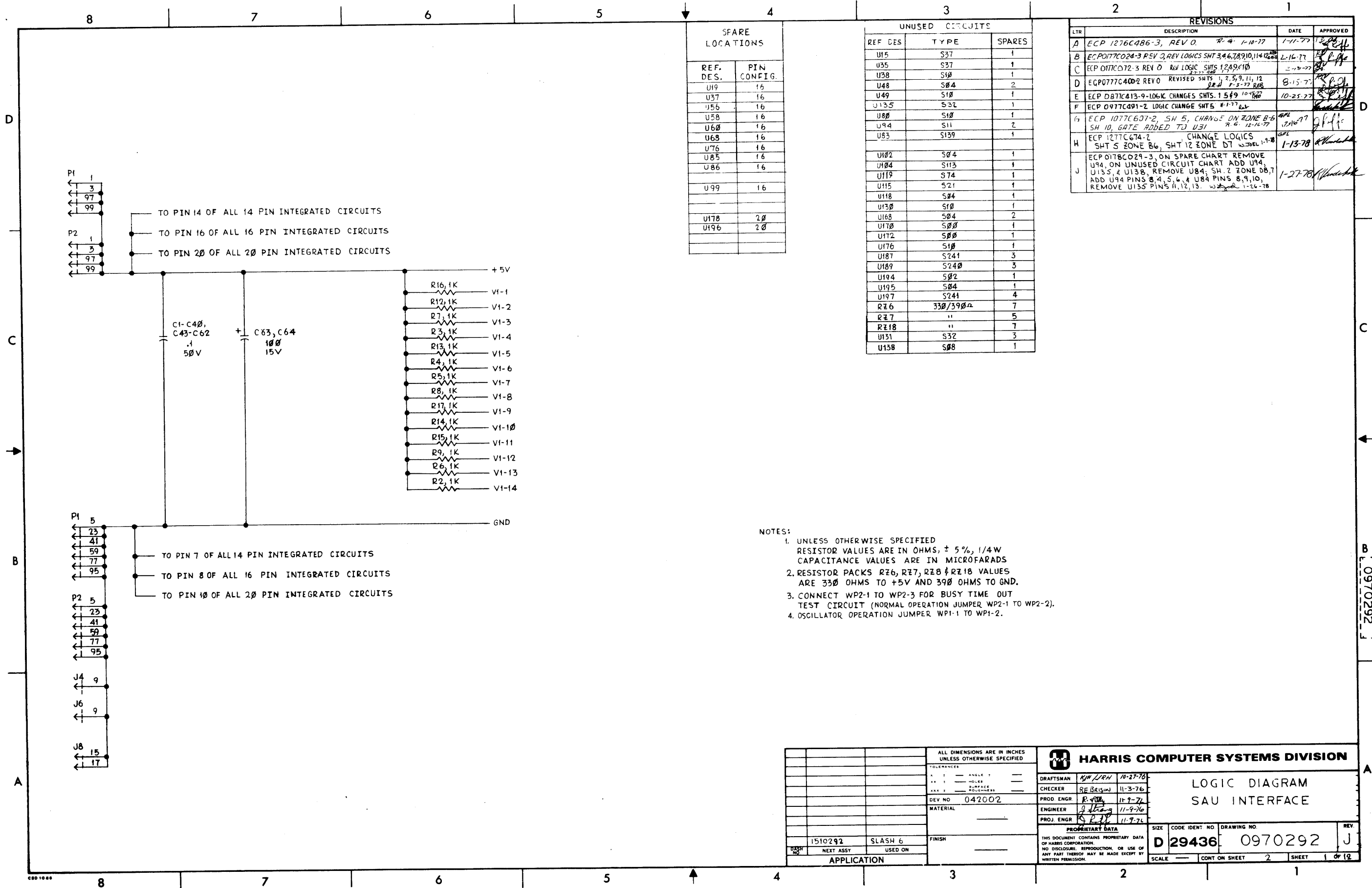
REVISIONS			
LTR	DESCRIPTION	DATE	APPROVED
A	ECPO377C165-4 REV 0, REV PER ECP, 9-21-77	4-1-77	<i>[Signature]</i>

DASH NO. CHART		
CONFIG.	INPUT VOLTAGE	
	115VAC	115/230VAC
BASIC	901	902
FULL	903	904
EXPAN.	N/A	905

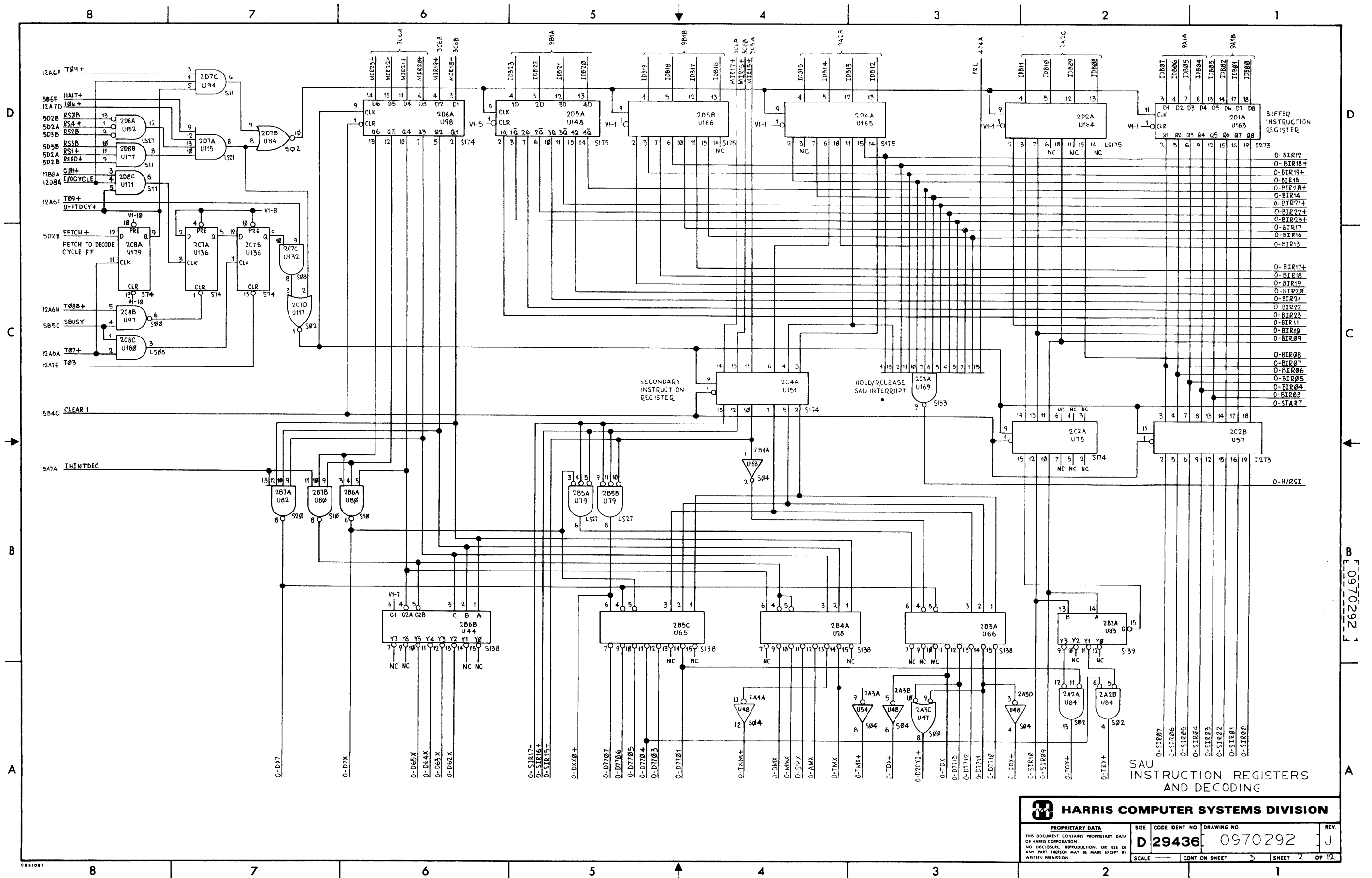
- NOTES:
- ⚠ FOR 115 VAC OPERATION INSTALL JUMPER BETWEEN TBI-1 & TBI-2, FOR 230VAC OPERATION INSTALL JUMPER BETWEEN TBI-2 & TBI-3.
 - ⚠ JUMPERS INSTALLED 115VAC, 115/230VAC OPERATION.
 - 3. BASIC CONFIGURATION:
PS1 & PS2 INTERNAL TO POWER DISTRIBUTION UNIT CHASSIS.
FULL CONFIGURATION:
PS1 & PS4 INTERNAL TO POWER DISTRIBUTION UNIT CHASSIS, PS2 & PS3 EXTERNAL.
EXPANDED CONFIGURATION:
PS1, PS4 & PS5 INTERNAL TO POWER DISTRIBUTION UNIT CHASSIS, PS2, PS3 & PS6 EXTERNAL.
 - 4. SEE POWER DISTRIBUTION UNIT ASSEMBLY DWG. NO. 1270130 FOR REFERENCE.
 - ⚠ PS2, PS3 & PS6 ARE INTERNALLY FUSED.



<p>ALL DIMENSIONS ARE IN INCHES UNLESS OTHERWISE SPECIFIED</p> <p>TOLERANCES</p> <p>± .005 ANGLE ± .005</p> <p>± .005 HOLE ± .005</p> <p>± .005 SURFACE ± .005</p> <p>± .005 FINISH ± .005</p>		<p>HARRIS COMPUTER SYSTEMS DIVISION</p> <p>DRAFTSMAN <i>[Signature]</i> 9-16-76</p> <p>CHECKER <i>[Signature]</i> 9-22-76</p> <p>PROD. ENGR <i>[Signature]</i> 9-22-76</p> <p>ENGINEER <i>[Signature]</i> 9-22-76</p> <p>PROJ. ENGR <i>[Signature]</i> 9-22-76</p>	
<p>DEV NO 042002</p> <p>MATERIAL</p> <p>FINISH</p> <p>SLASH 6</p> <p>APPLICATION</p>		<p>SCHEMATIC AC POWER DISTRIBUTION UNIT</p> <p>PROPRIETARY DATA</p> <p>THIS DOCUMENT CONTAINS PROPRIETARY DATA OF HARRIS CORPORATION. NO DISCLOSURE, REPRODUCTION, OR USE OF ANY PART THEREOF MAY BE MADE EXCEPT BY WRITTEN PERMISSION.</p> <p>SIZE CODE IDENT NO DRAWING NO REV.</p> <p>D 29436 0970276 A</p> <p>SCALE NONE CONT ON SHEET SHEET 1 OF 1</p>	



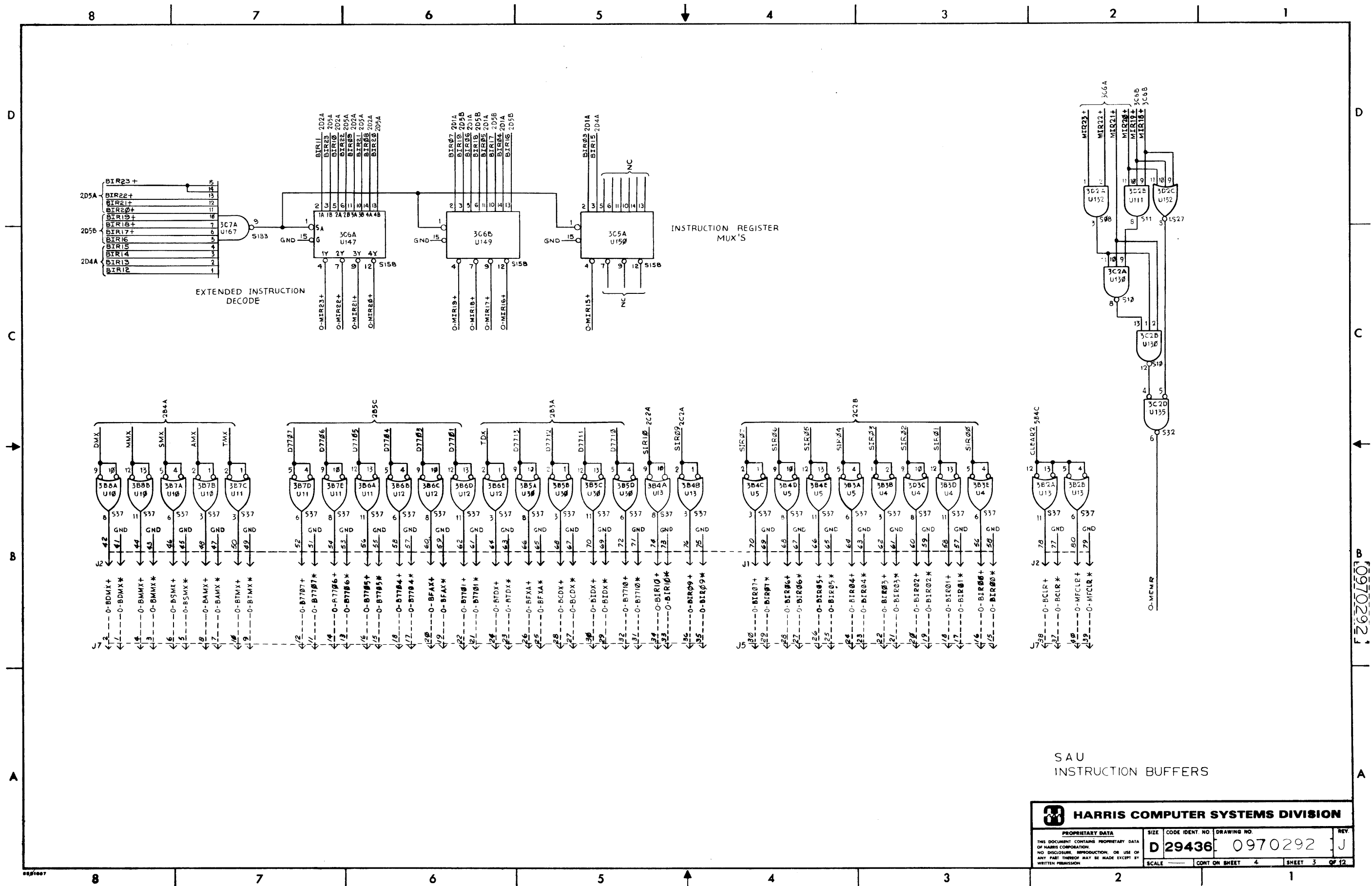
ALL DIMENSIONS ARE IN INCHES UNLESS OTHERWISE SPECIFIED		HARRIS COMPUTER SYSTEMS DIVISION	
TOLERANCES		DRAFTSMAN	KJM/LRH 10-27-76
± .010	ANGLE ± .010	CHECKER	RE BRISON 11-3-76
± .015	HOLE ± .010	PROD ENGR	R. V. [Signature] 11-9-76
± .020	SURFACE FINISHNESS ± .010	ENGINEER	[Signature] 11-9-76
DEV NO 042002		PROJ. ENGR	[Signature] 11-9-76
MATERIAL		PROPRIETARY DATA	
FINISH		THIS DOCUMENT CONTAINS PROPRIETARY DATA OF HARRIS CORPORATION. NO DISCLOSURE, REPRODUCTION, OR USE OF ANY PART THEREOF MAY BE MADE EXCEPT BY WRITTEN PERMISSION.	
1510292	SLASH 6	SIZE	CODE IDENT NO
NEXT ASSY	USED ON	D 29436 0970292	
APPLICATION		SCALE	CONT ON SHEET 2 SHEET 1 of 12



HARRIS COMPUTER SYSTEMS DIVISION

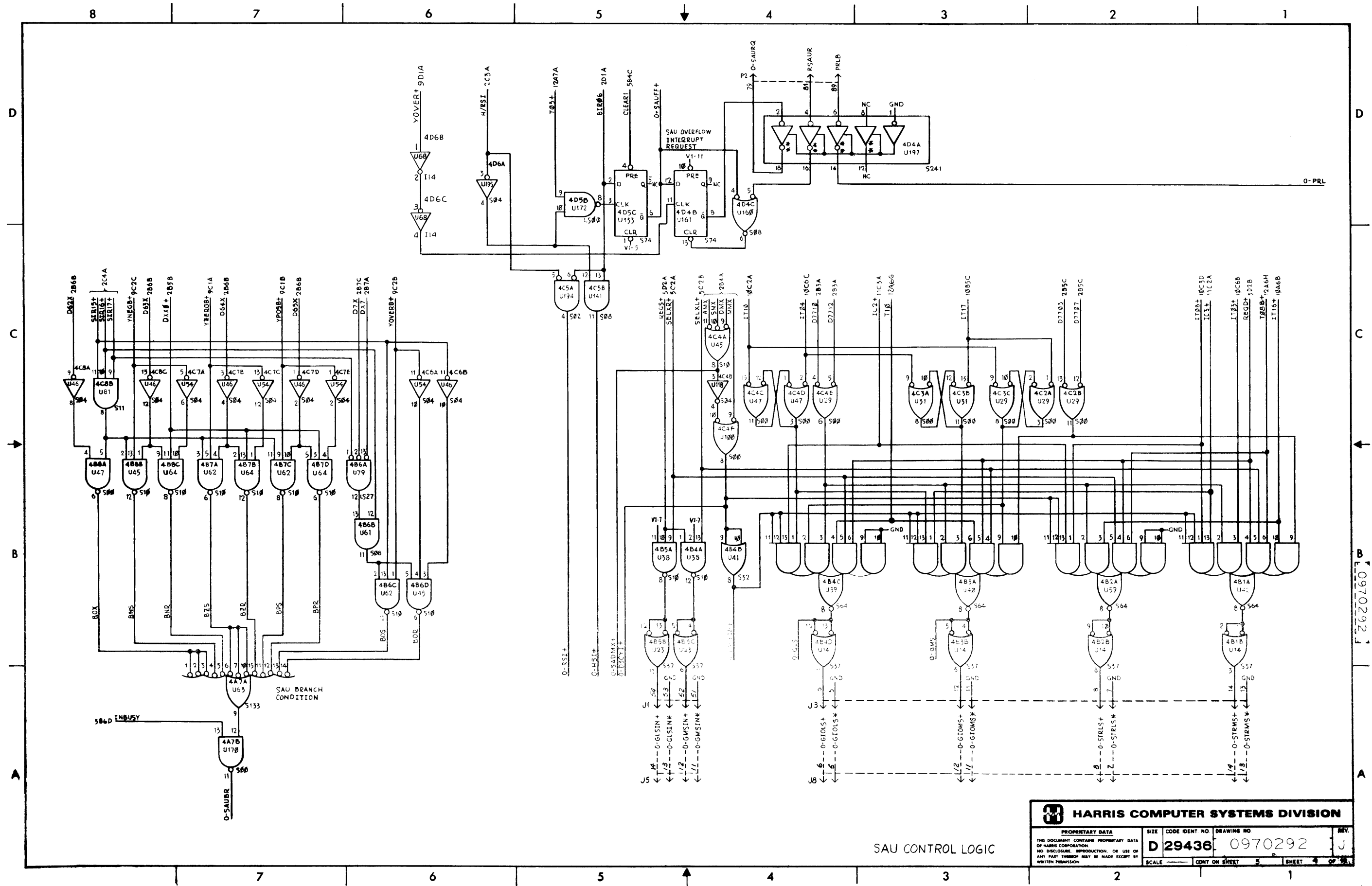
PROPRIETARY DATA
THIS DOCUMENT CONTAINS PROPRIETARY DATA OF HARRIS CORPORATION. NO DISCLOSURE, REPRODUCTION, OR USE OF ANY PART THEREOF MAY BE MADE EXCEPT BY WRITTEN PERMISSION.

SIZE	CODE IDENT NO	DRAWING NO	REV
D	29436	0970292	J
SCALE		CONT ON SHEET	SHEET 2 OF 12



SAU
INSTRUCTION BUFFERS

HARRIS COMPUTER SYSTEMS DIVISION			
PROPRIETARY DATA	SIZE	CODE IDENT. NO.	DRAWING NO.
THIS DOCUMENT CONTAINS PROPRIETARY DATA OF HARRIS CORPORATION. NO DISCLOSURE, REPRODUCTION, OR USE OF ANY PART THEREOF MAY BE MADE EXCEPT BY WRITTEN PERMISSION.	D	29436	0970292
SCALE	CONT. ON SHEET	SHEET	REV.
	4	3	J



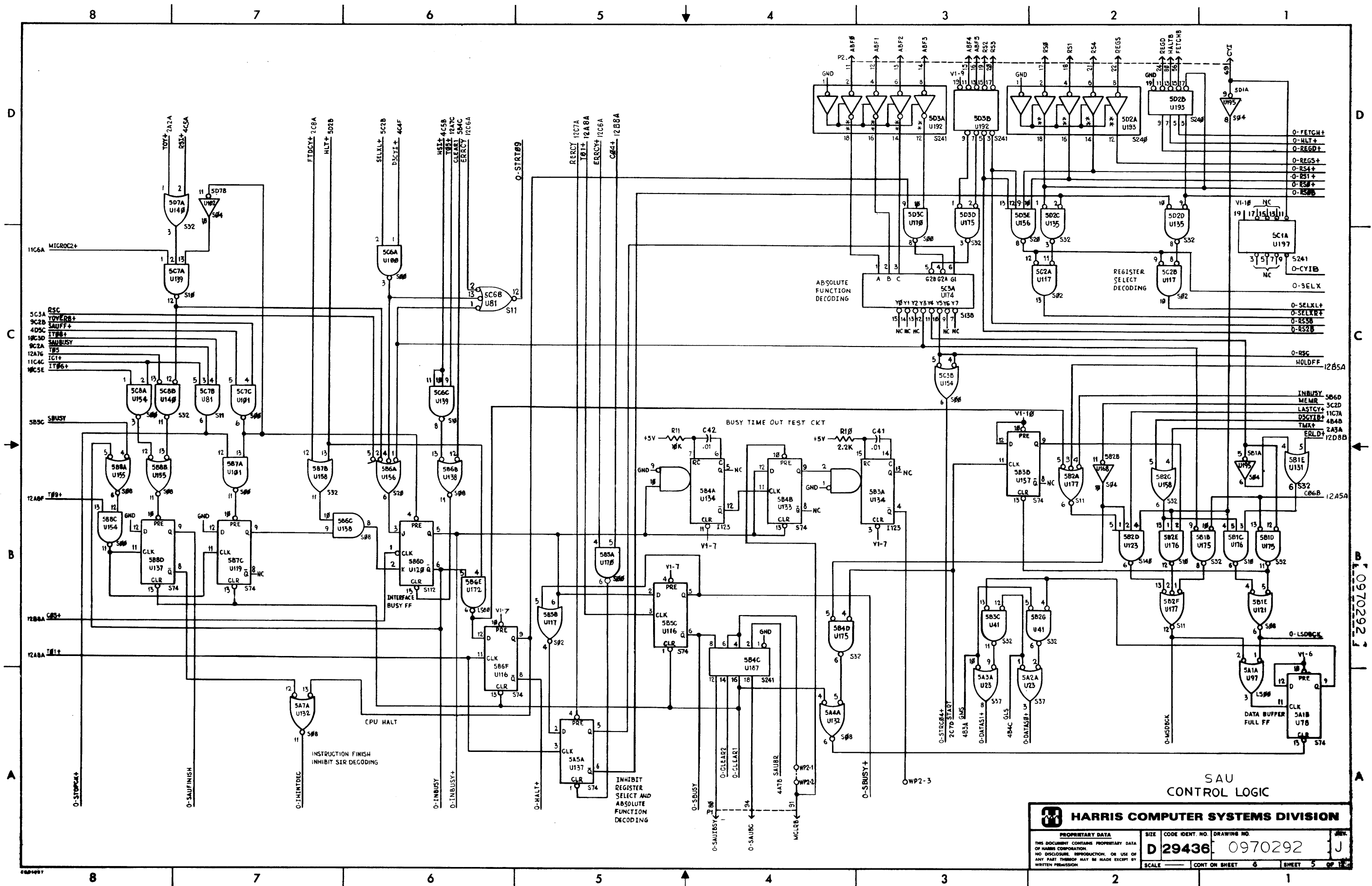
SAU CONTROL LOGIC

HARRIS COMPUTER SYSTEMS DIVISION

PROPRIETARY DATA
THIS DOCUMENT CONTAINS PROPRIETARY DATA OF HARRIS CORPORATION. NO DISCLOSURE, REPRODUCTION, OR USE OF ANY PART THEREOF MAY BE MADE EXCEPT BY WRITTEN PERMISSION.

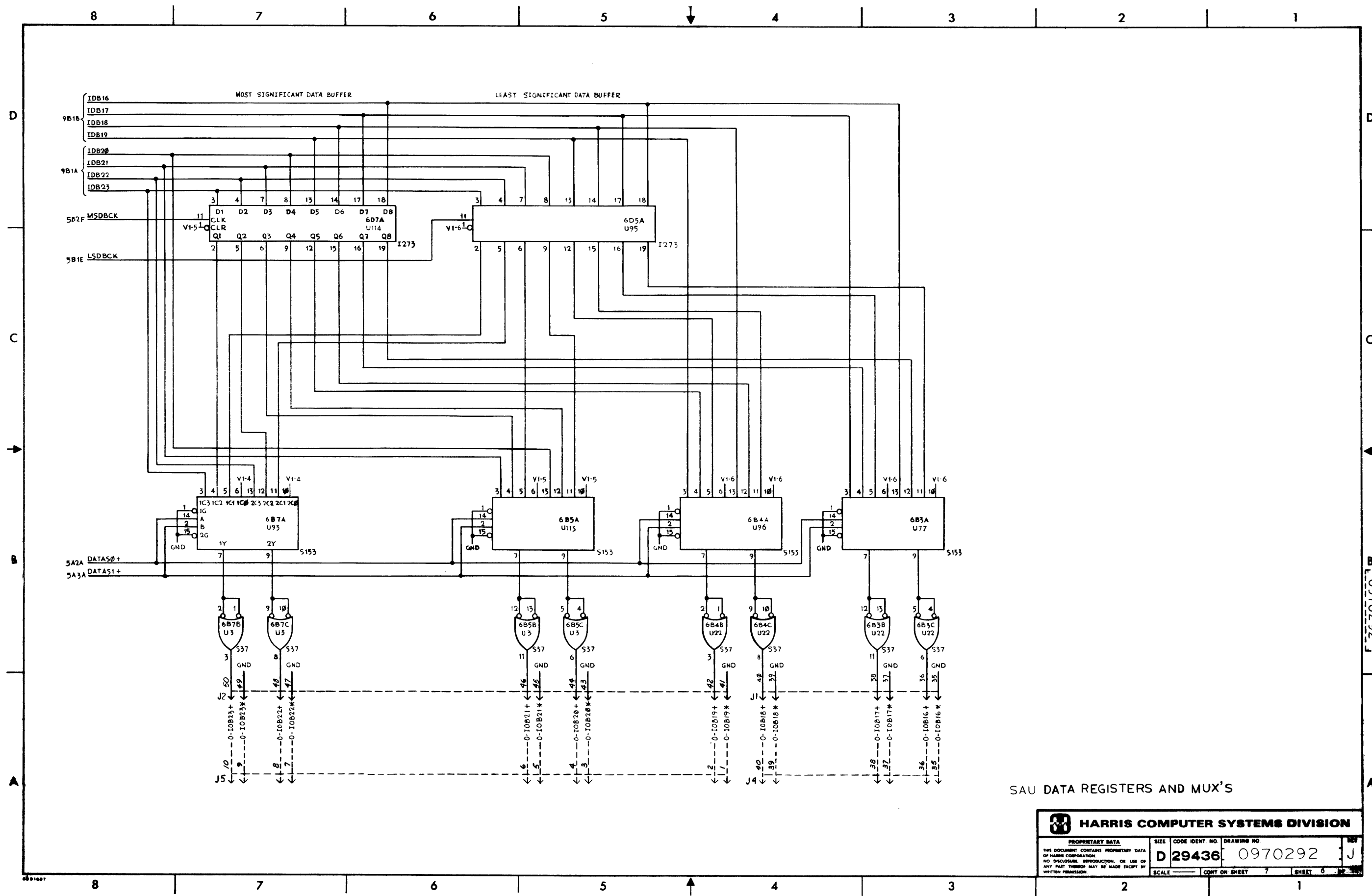
SIZE	CODE IDENT NO.	DRAWING NO.	REV.
D	29436	0970292	J

SCALE: CONT ON SHEET 5 SHEET 4 OF 5



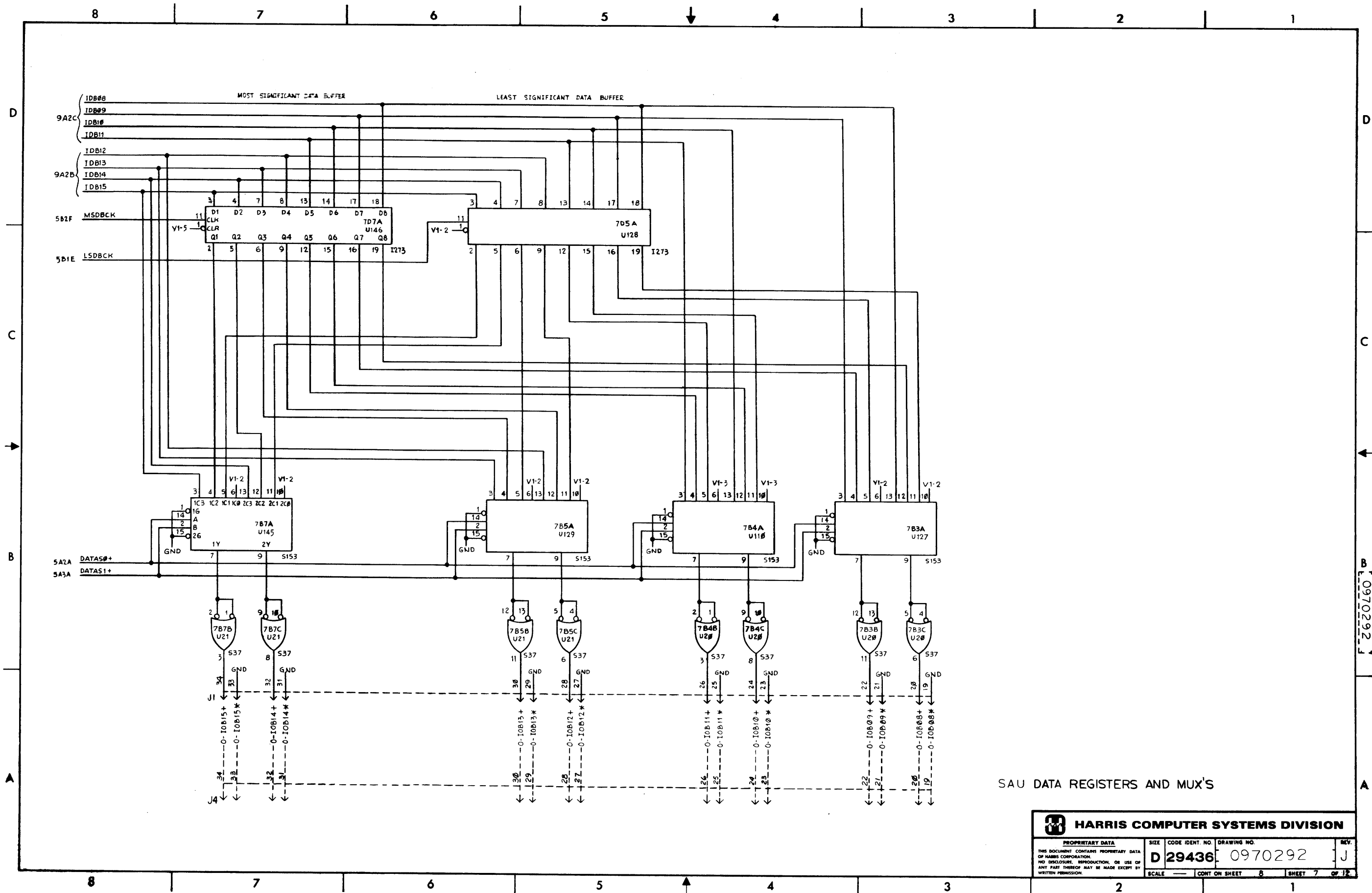
HARRIS COMPUTER SYSTEMS DIVISION

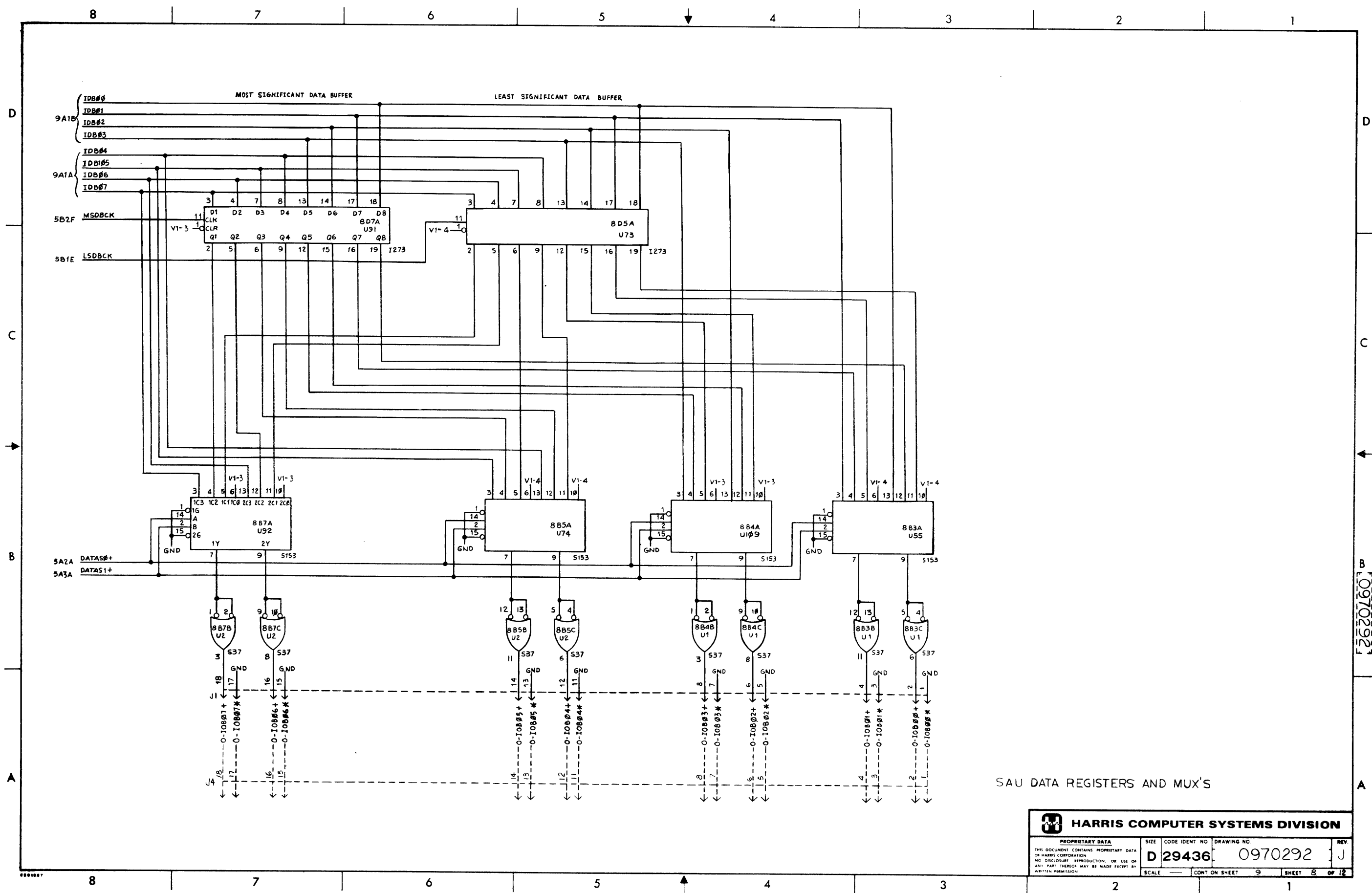
PROPRIETARY DATA	SIZE	CODE IDENT. NO.	DRAWING NO.
THIS DOCUMENT CONTAINS PROPRIETARY DATA OF HARRIS CORPORATION. NO DISCLOSURE, REPRODUCTION, OR USE OF ANY PART THEREOF MAY BE MADE EXCEPT BY WRITTEN PERMISSION.	D 29436	0970292	J
SCALE		CONT ON SHEET 6	SHEET 5 OF 12



SAU DATA REGISTERS AND MUX'S

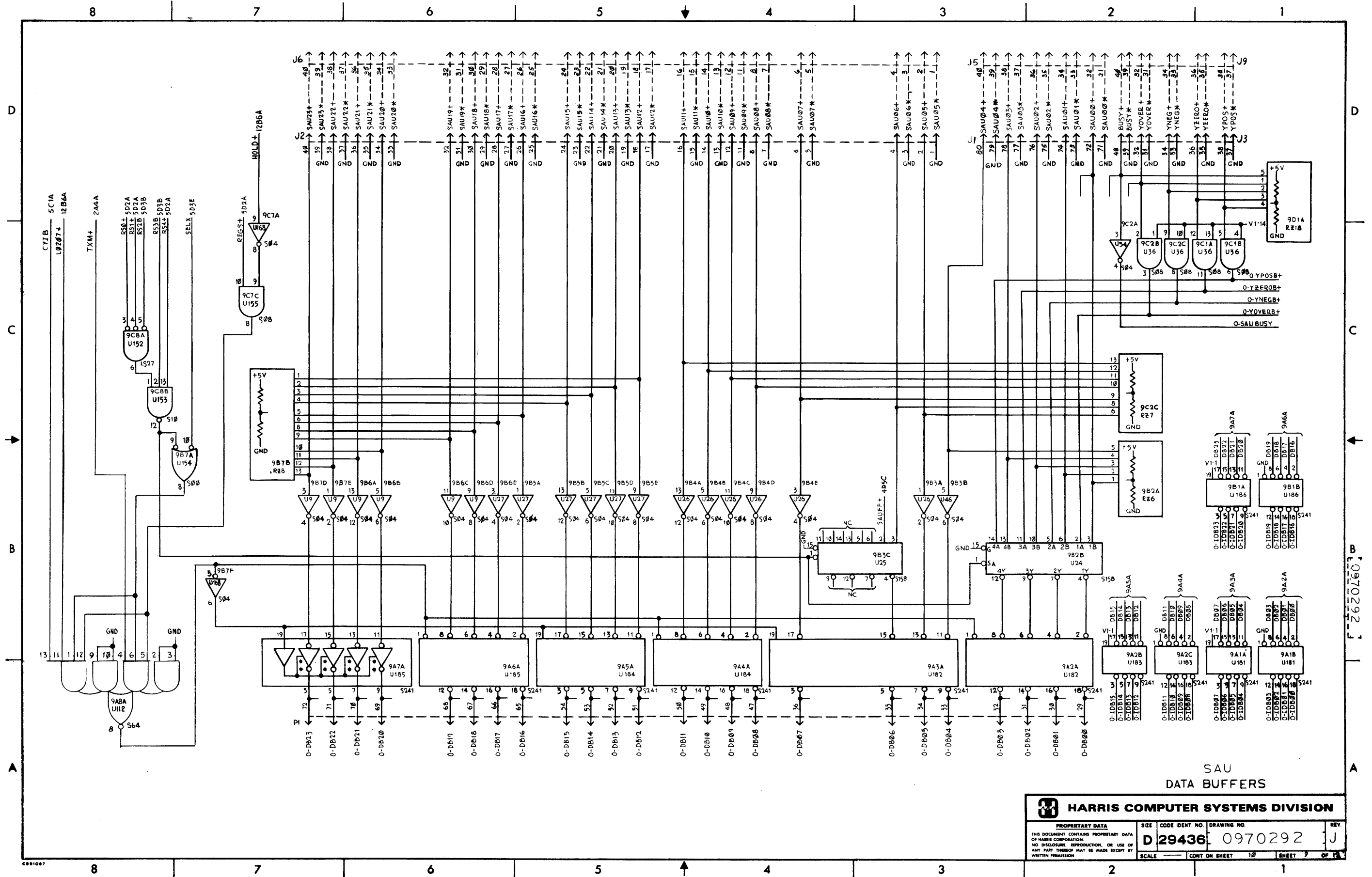
HARRIS COMPUTER SYSTEMS DIVISION	
PROPRIETARY DATA	
SIZE	CODE IDENT. NO. DRAWING NO.
D 29436	0970292
THIS DOCUMENT CONTAINS PROPRIETARY DATA OF HARRIS CORPORATION. NO DISCLOSURE, REPRODUCTION, OR USE OF ANY PART THEREOF MAY BE MADE EXCEPT BY WRITTEN PERMISSION.	
SCALE	CONT. ON SHEET 7 SHEET 8





SAU DATA REGISTERS AND MUX'S

HARRIS COMPUTER SYSTEMS DIVISION			
PROPRIETARY DATA	SIZE	CODE IDENT NO	DRAWING NO
THIS DOCUMENT CONTAINS PROPRIETARY DATA OF HARRIS CORPORATION. NO DISCLOSURE, REPRODUCTION, OR USE OF ANY PART THEREOF MAY BE MADE EXCEPT BY WRITTEN PERMISSION.	D 29436	0970292	J
SCALE	CONT ON SHEET	9	SHEET 8 OF 12



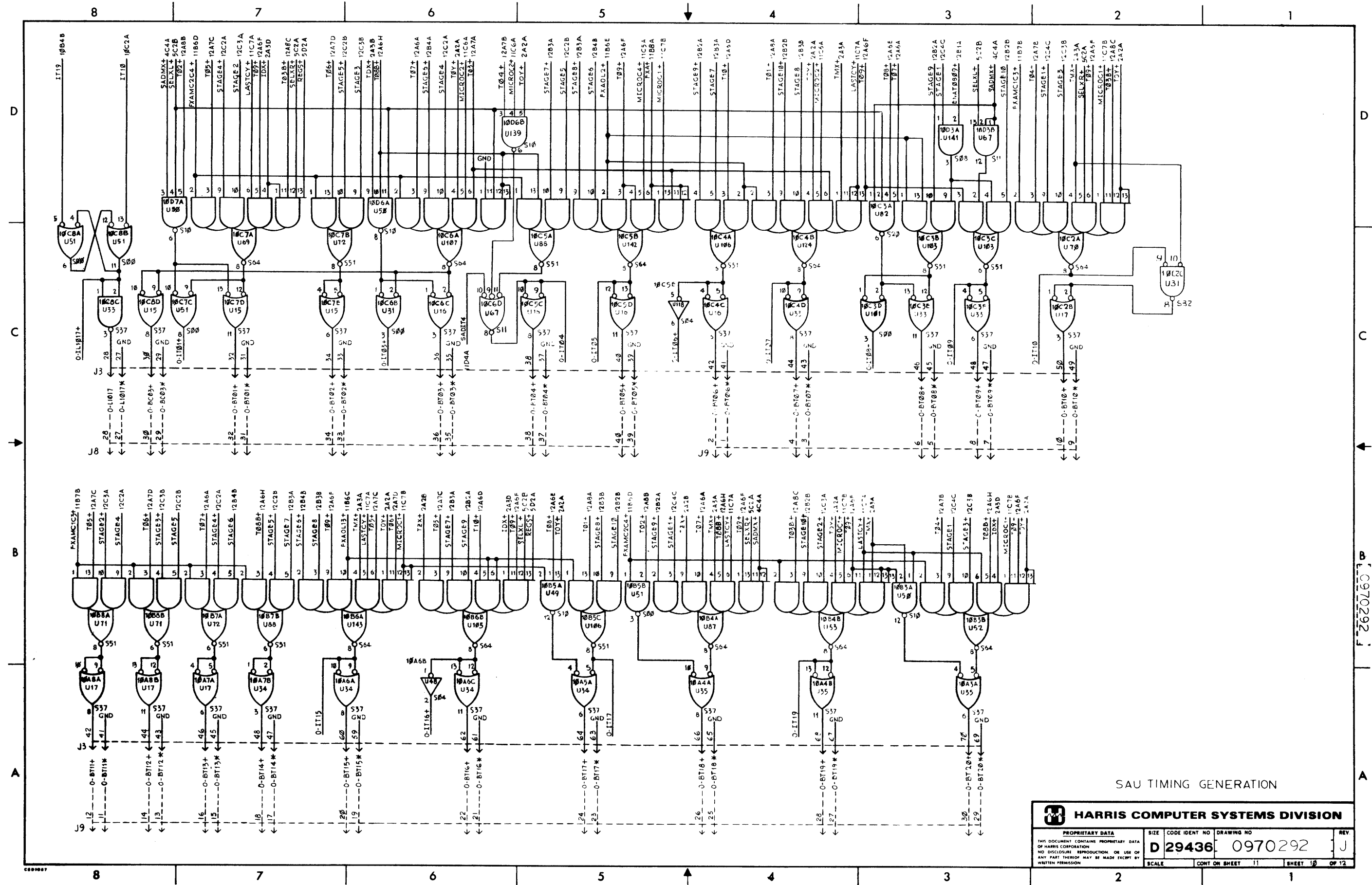
SAU
 DATA BUFFERS

HARRIS COMPUTER SYSTEMS DIVISION

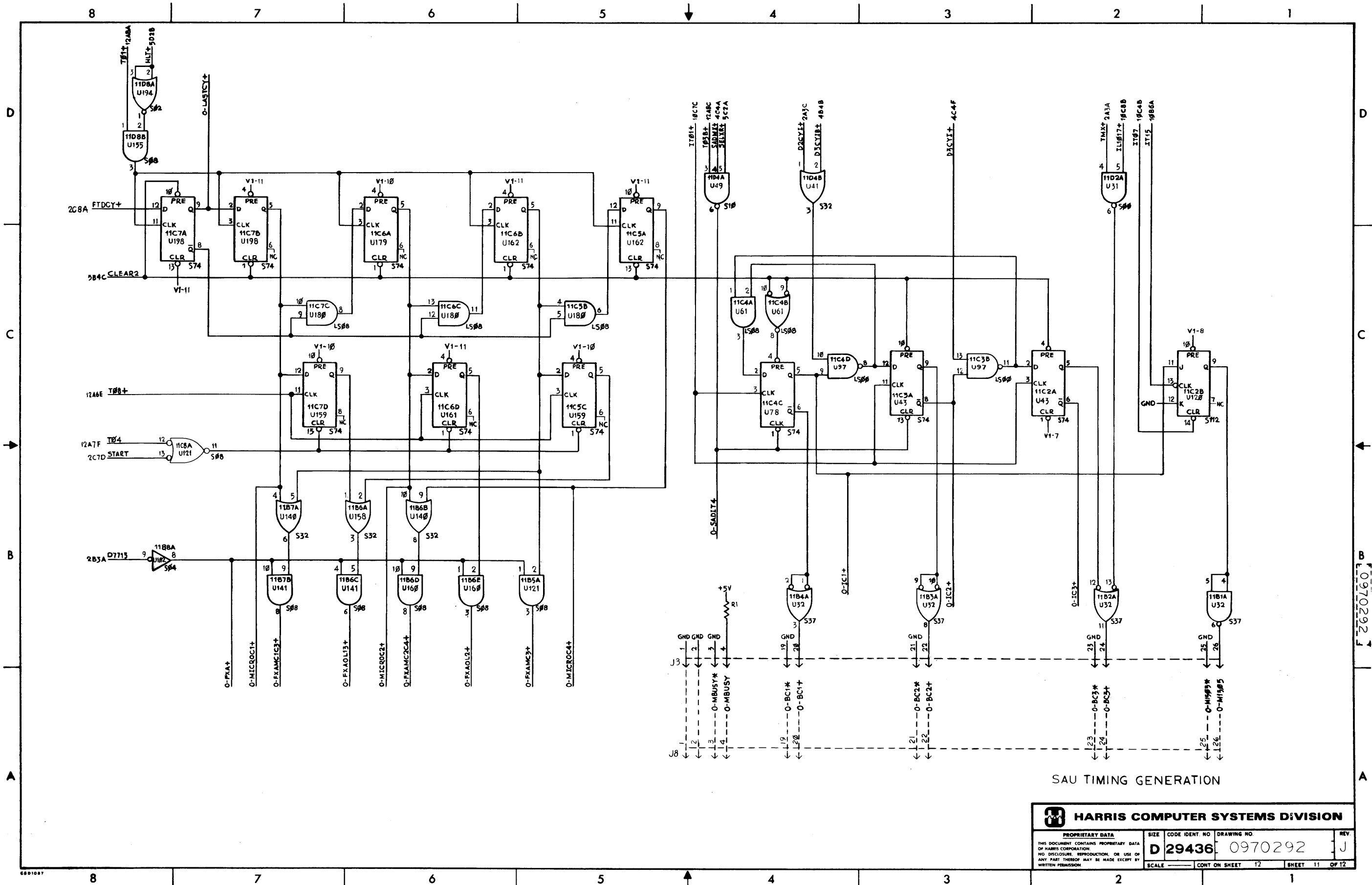
PROPRIETARY DATA
 THIS DOCUMENT CONTAINS PROPRIETARY DATA OF HARRIS CORPORATION. NO DISCLOSURE, REPRODUCTION, OR USE OF ANY PART THEREOF MAY BE MADE EXCEPT BY WRITTEN PERMISSION.

SIZE	CODE IDENT. NO.	DRAWING NO.	REV.
D	29436	0970292	J

SCALE: CONT ON SHEET 10 SHEET 9 OF 10

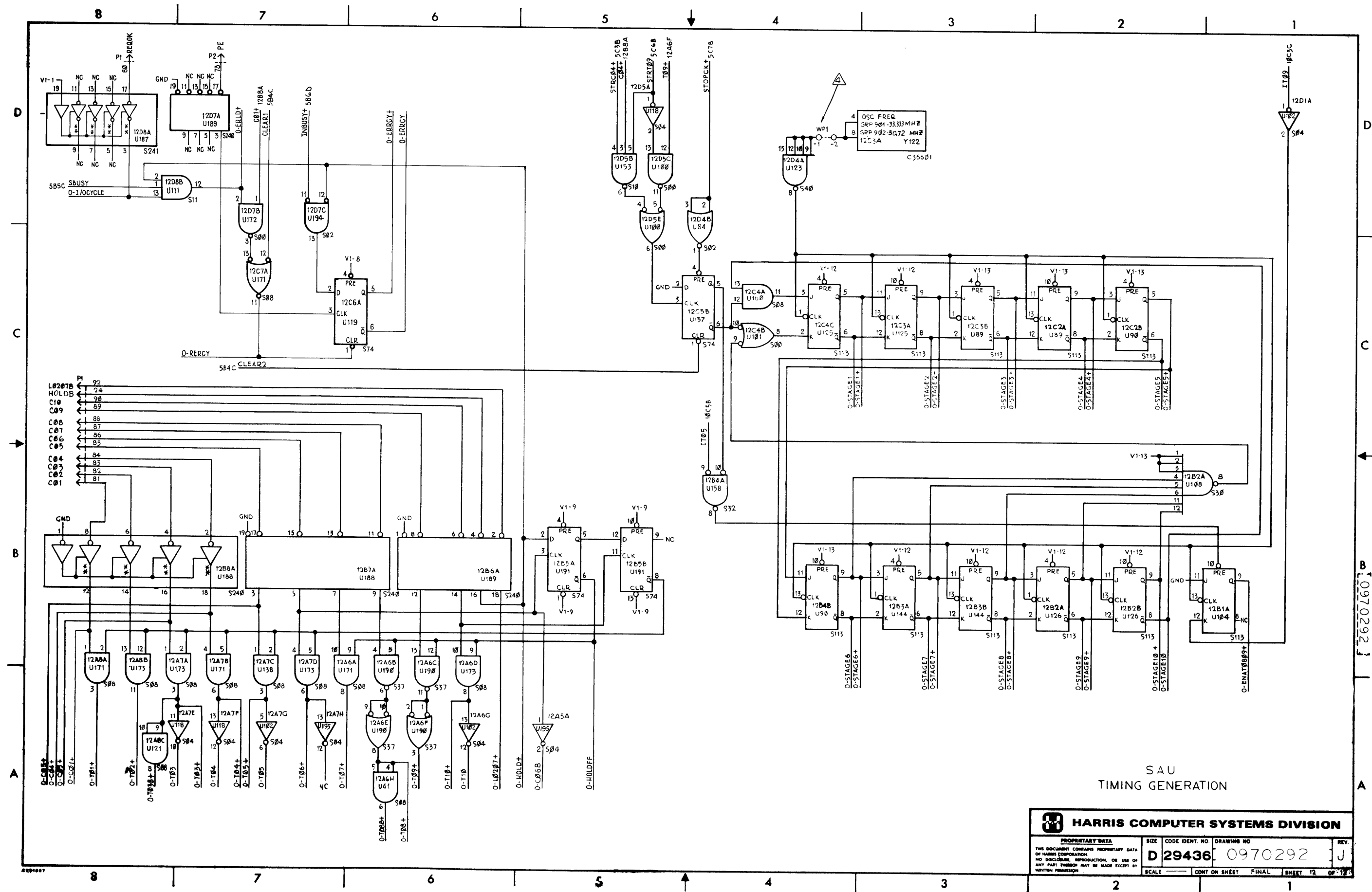


HARRIS COMPUTER SYSTEMS DIVISION			
PROPRIETARY DATA THIS DOCUMENT CONTAINS PROPRIETARY DATA OF HARRIS CORPORATION. NO DISCLOSURE, REPRODUCTION, OR USE OF ANY PART THEREOF MAY BE MADE EXCEPT BY WRITTEN PERMISSION.	SIZE D	CODE IDENT NO 29436	DRAWING NO 0970292
SCALE	CONT ON SHEET	SHEET	REV J



SAU TIMING GENERATION

HARRIS COMPUTER SYSTEMS DIVISION			
PROPRIETARY DATA THIS DOCUMENT CONTAINS PROPRIETARY DATA OF HARRIS CORPORATION. NO DISCLOSURE, REPRODUCTION, OR USE OF ANY PART THEREOF MAY BE MADE EXCEPT BY WRITTEN PERMISSION.			
SIZE	CODE IDENT. NO.	DRAWING NO.	REV.
D	29436	0970292	J
SCALE	CONT ON SHEET	12	SHEET 11 OF 12



SAU
TIMING GENERATION

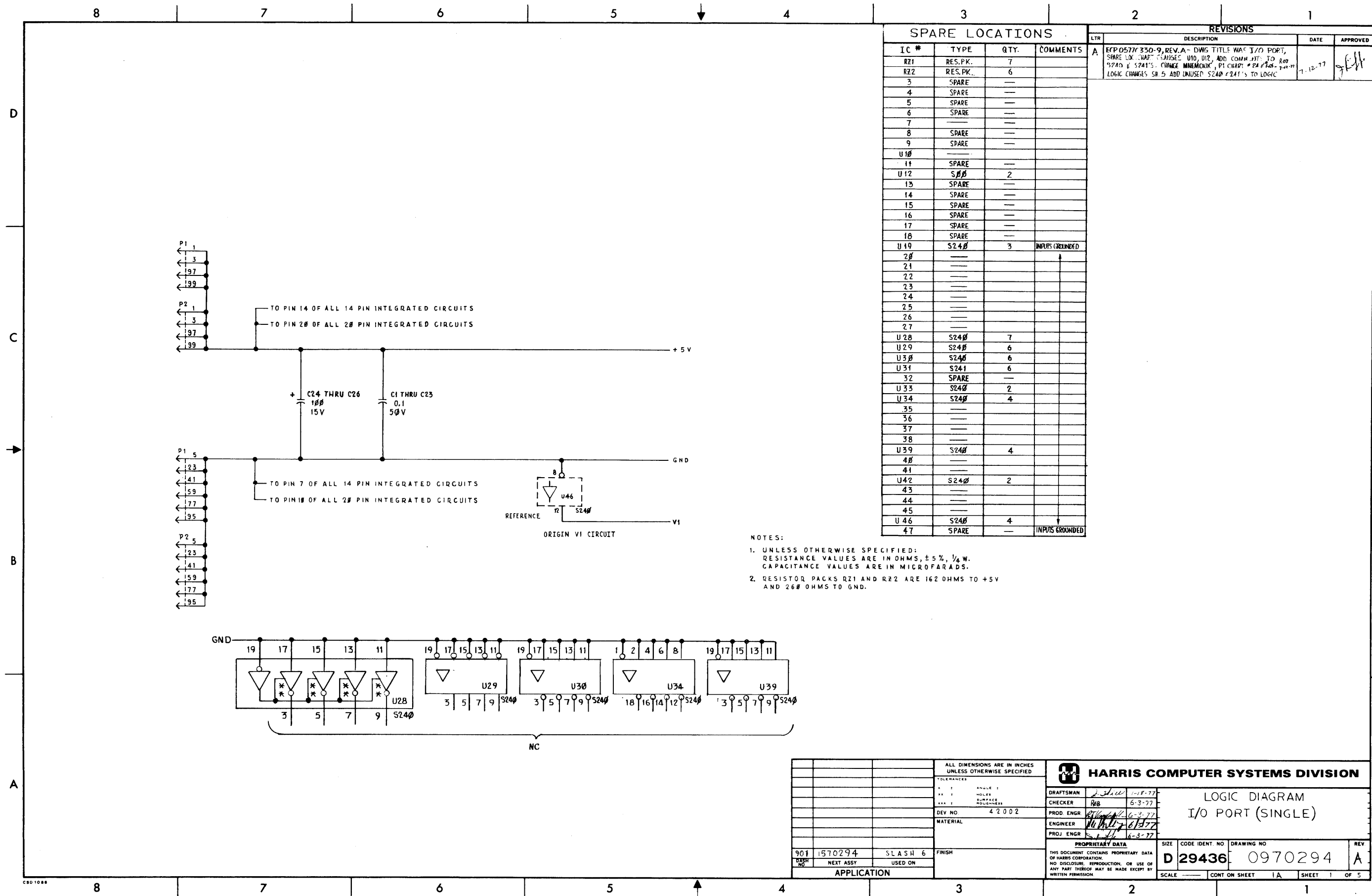
HARRIS COMPUTER SYSTEMS DIVISION

PROPRIETARY DATA

THIS DOCUMENT CONTAINS PROPRIETARY DATA OF HARRIS CORPORATION. NO DISCLOSURE, REPRODUCTION, OR USE OF ANY PART THEREOF MAY BE MADE EXCEPT BY WRITTEN PERMISSION.

SIZE	CODE IDENT NO	DRAWING NO	REV.
D	29436	0970292	J

SCALE: _____ CONT ON SHEET FINAL SHEET 12 OF 12

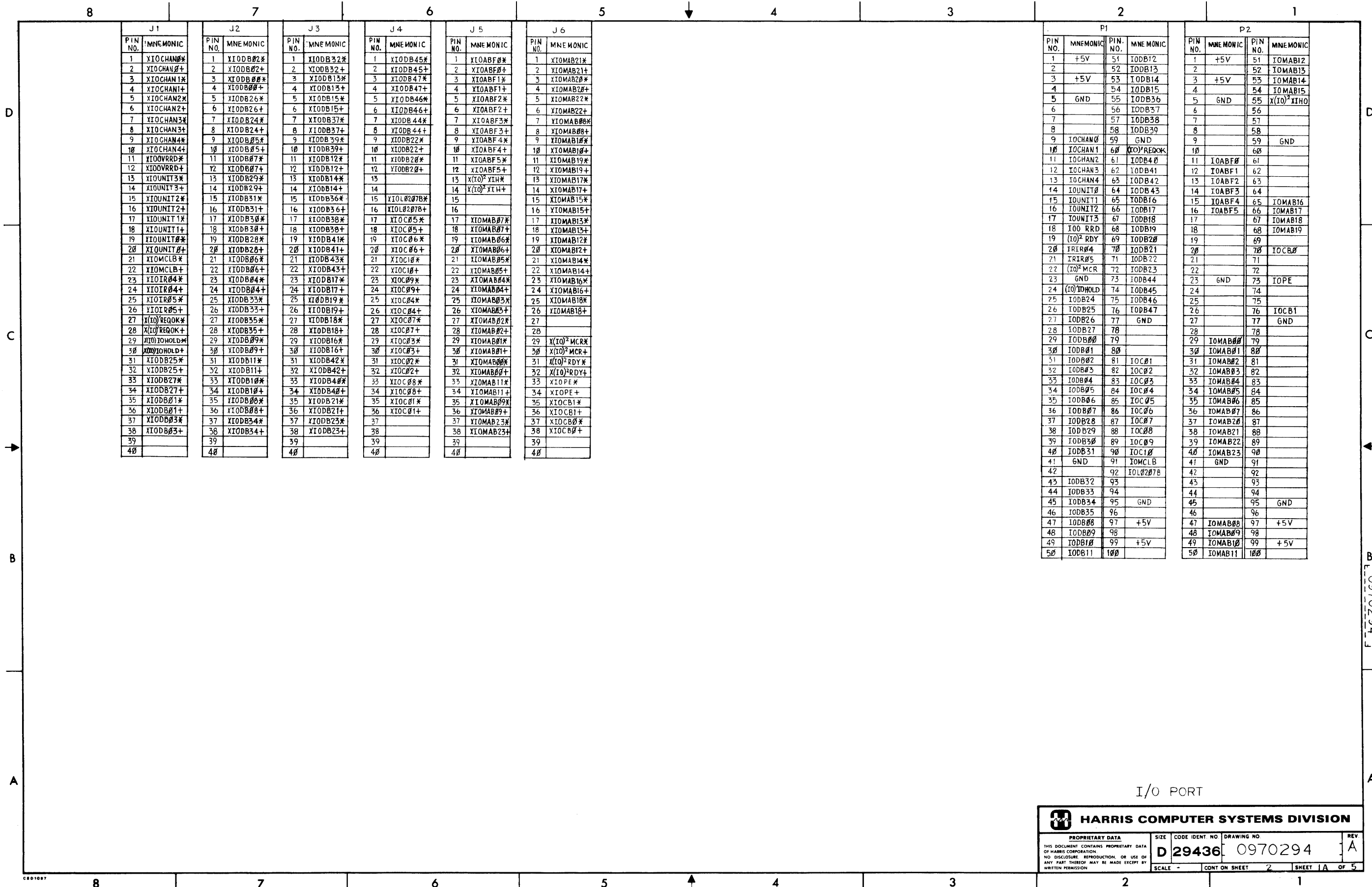


SPARE LOCATIONS			
IC #	TYPE	QTY.	COMMENTS
RZ1	RES.PK.	7	
RZ2	RES.PK.	6	
3	SPARE	---	
4	SPARE	---	
5	SPARE	---	
6	SPARE	---	
7	---	---	
8	SPARE	---	
9	SPARE	---	
U10	---	---	
11	SPARE	---	
U12	S240	2	
13	SPARE	---	
14	SPARE	---	
15	SPARE	---	
16	SPARE	---	
17	SPARE	---	
18	SPARE	---	
U19	S240	3	INPUTS GROUNDING
20	---	---	
21	---	---	
22	---	---	
23	---	---	
24	---	---	
25	---	---	
26	---	---	
27	---	---	
U28	S240	7	
U29	S240	6	
U30	S240	6	
U31	S241	6	
32	SPARE	---	
U33	S240	2	
U34	S240	4	
35	---	---	
36	---	---	
37	---	---	
38	---	---	
U39	S240	4	
40	---	---	
41	---	---	
U42	S240	2	
43	---	---	
44	---	---	
45	---	---	
U46	S240	4	
47	SPARE	---	INPUTS GROUNDING

REVISIONS		
LTR	DESCRIPTION	DATE
A	ECPO577-330-9, REV. A - DWG TITLE WAS I/O PORT, SPARE LOC. CHANGES U10, U12, ADD COM. JST TO RES S240 & S241'S. CHANGE MNEMONIC, P1 CHART # 24 # 24-77 LOGIC CHANGES SR 5 ADD UNUSED S240 # 241'S TO LOGIC	7-12-77

- NOTES:
- UNLESS OTHERWISE SPECIFIED:
RESISTANCE VALUES ARE IN OHMS, ± 5%, 1/4 W.
CAPACITANCE VALUES ARE IN MICROFARADS.
 - RESISTOR PACKS RZ1 AND RZ2 ARE 162 OHMS TO +5V AND 260 OHMS TO GND.

ALL DIMENSIONS ARE IN INCHES UNLESS OTHERWISE SPECIFIED		HARRIS COMPUTER SYSTEMS DIVISION	
TOLERANCES		DRAFTSMAN <i>J. S. W.</i> 1-18-77	
A ±		CHECKER <i>R.B.B.</i> 6-3-77	
XX ±		PROD ENGR <i>[Signature]</i> 6-3-77	
XXX ±		ENGINEER <i>[Signature]</i> 6-3-77	
MATERIAL		PROJ ENGR <i>[Signature]</i> 6-3-77	
DEV NO 42002		PROPRIETARY DATA	
FINISH		THIS DOCUMENT CONTAINS PROPRIETARY DATA OF HARRIS CORPORATION. NO DISCLOSURE, REPRODUCTION, OR USE OF ANY PART THEREOF MAY BE MADE EXCEPT BY WRITTEN PERMISSION.	
901	1570294	SLASH 6	FINISH
APPLICATION		SIZE	CODE IDENT NO
		D	29436
		DRAWING NO	0970294
		REV	A
		SCALE	CONT ON SHEET 1A
		SHEET 1 OF 5	



I/O PORT

HARRIS COMPUTER SYSTEMS DIVISION

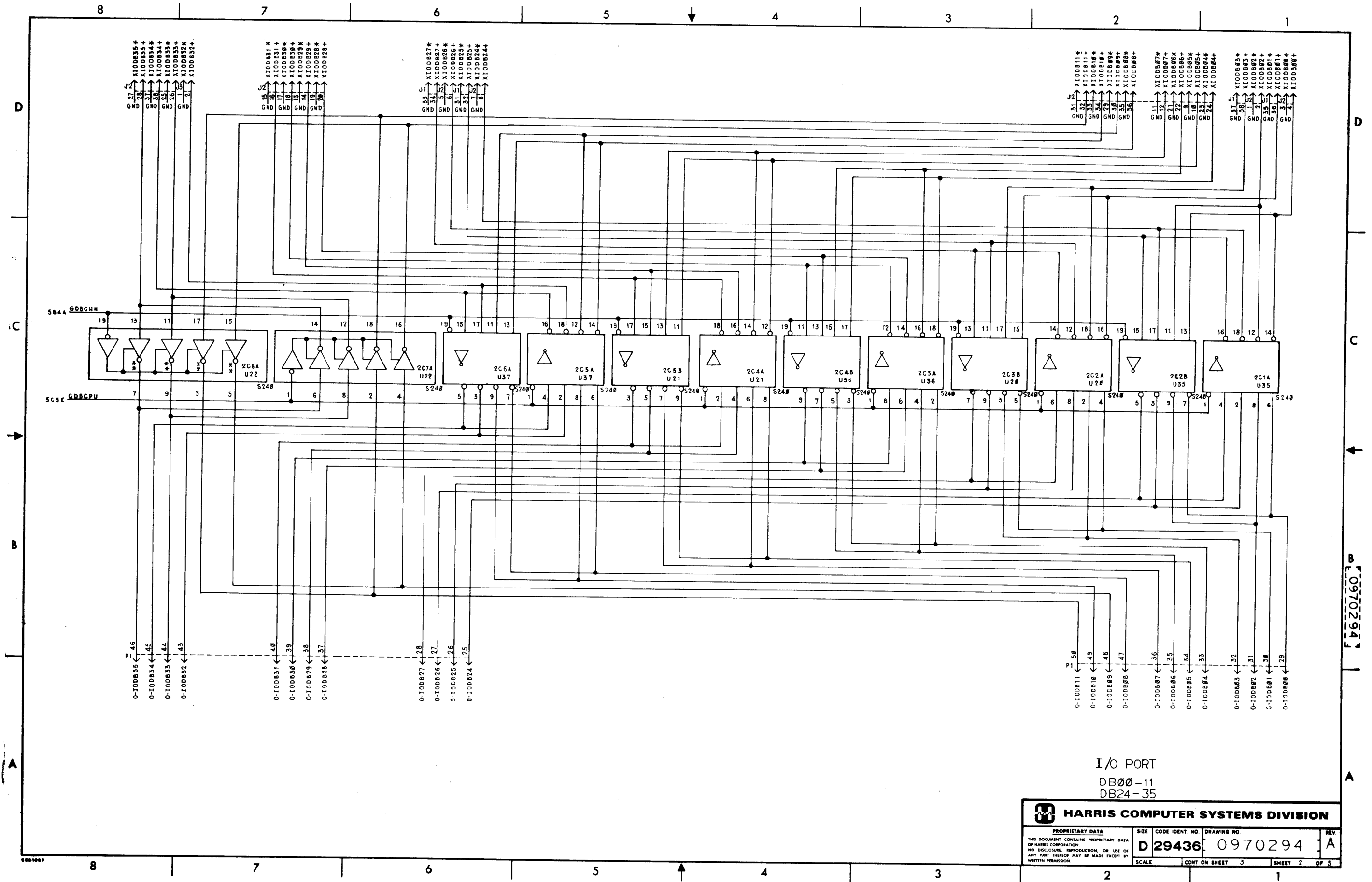
PROPRIETARY DATA

THIS DOCUMENT CONTAINS PROPRIETARY DATA OF HARRIS CORPORATION. NO DISCLOSURE, REPRODUCTION, OR USE OF ANY PART THEREOF MAY BE MADE EXCEPT BY WRITTEN PERMISSION.

SIZE: D
CODE IDENT NO: 29436
DRAWING NO: 0970294
REV: A

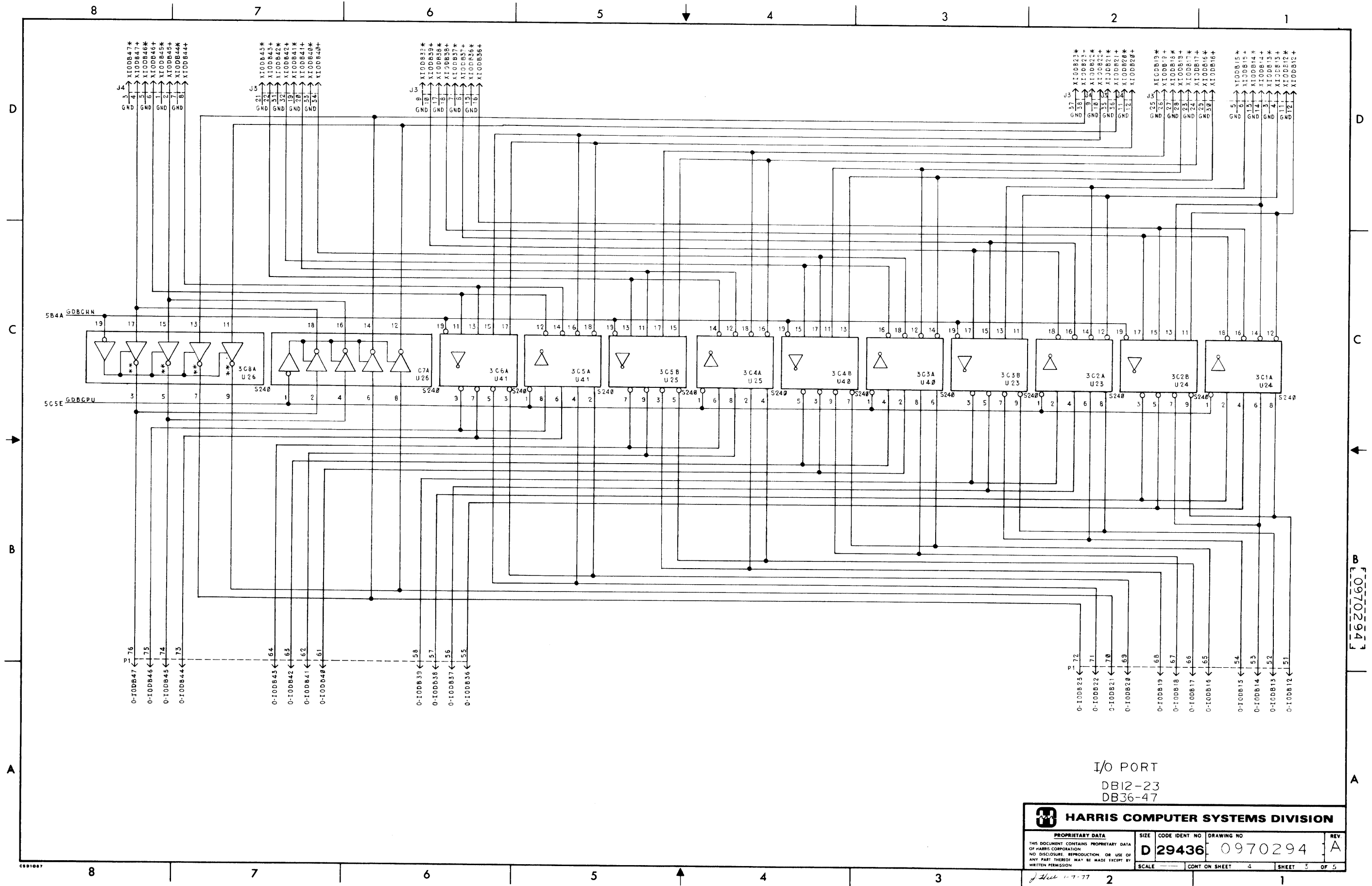
SCALE: CONT ON SHEET 2 SHEET 1A OF 5

0970294



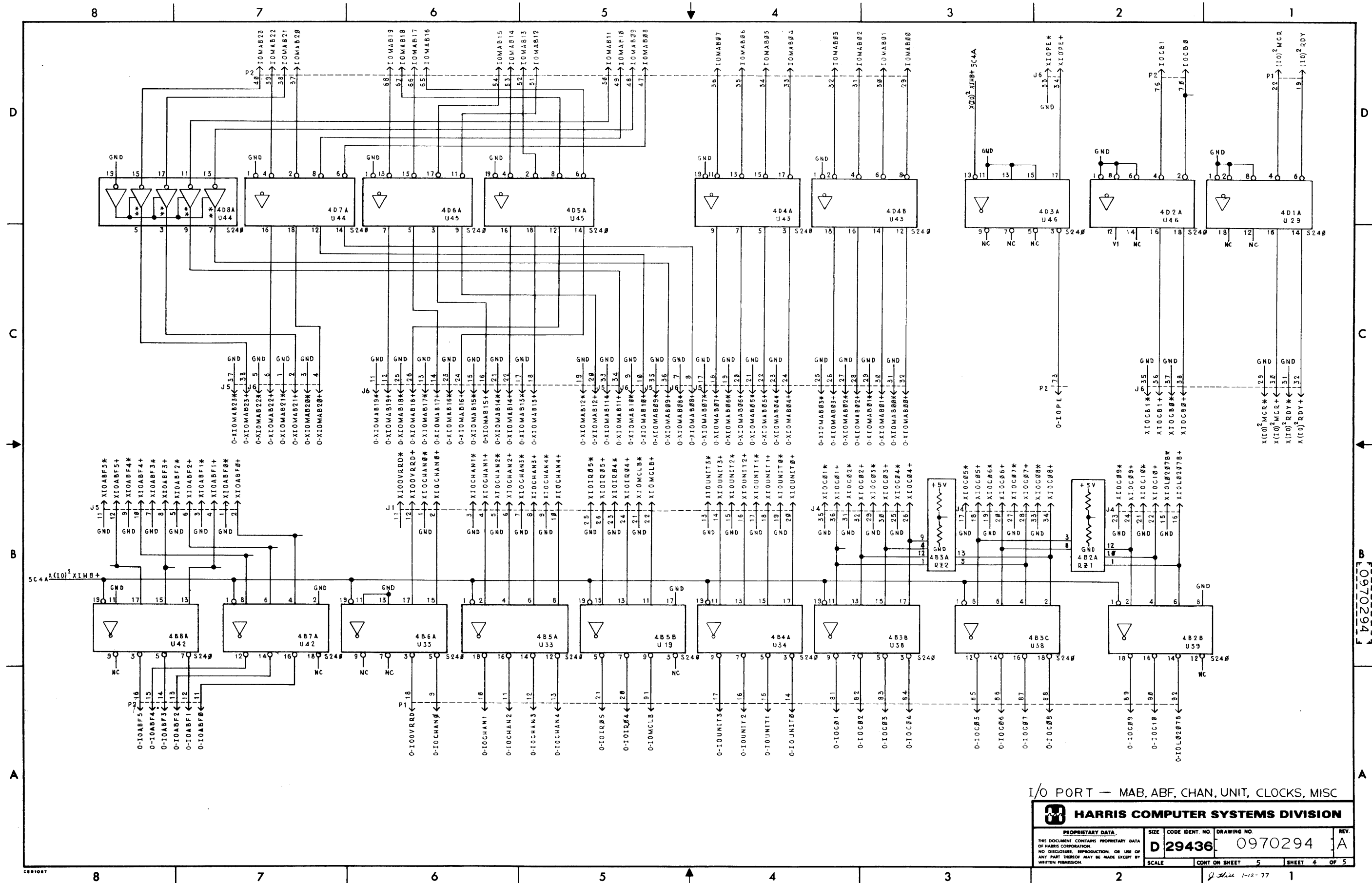
I/O PORT
DB00-11
DB24-35

HARRIS COMPUTER SYSTEMS DIVISION		
PROPRIETARY DATA THIS DOCUMENT CONTAINS PROPRIETARY DATA OF HARRIS CORPORATION NO DISCLOSURE, REPRODUCTION, OR USE OF ANY PART THEREOF MAY BE MADE EXCEPT BY WRITTEN PERMISSION		
SIZE	CODE IDENT NO.	DRAWING NO.
D	29436	0970294
SCALE	CONT ON SHEET	SHEET 2 OF 5
	3	A



I/O PORT
DB12-23
DB36-47

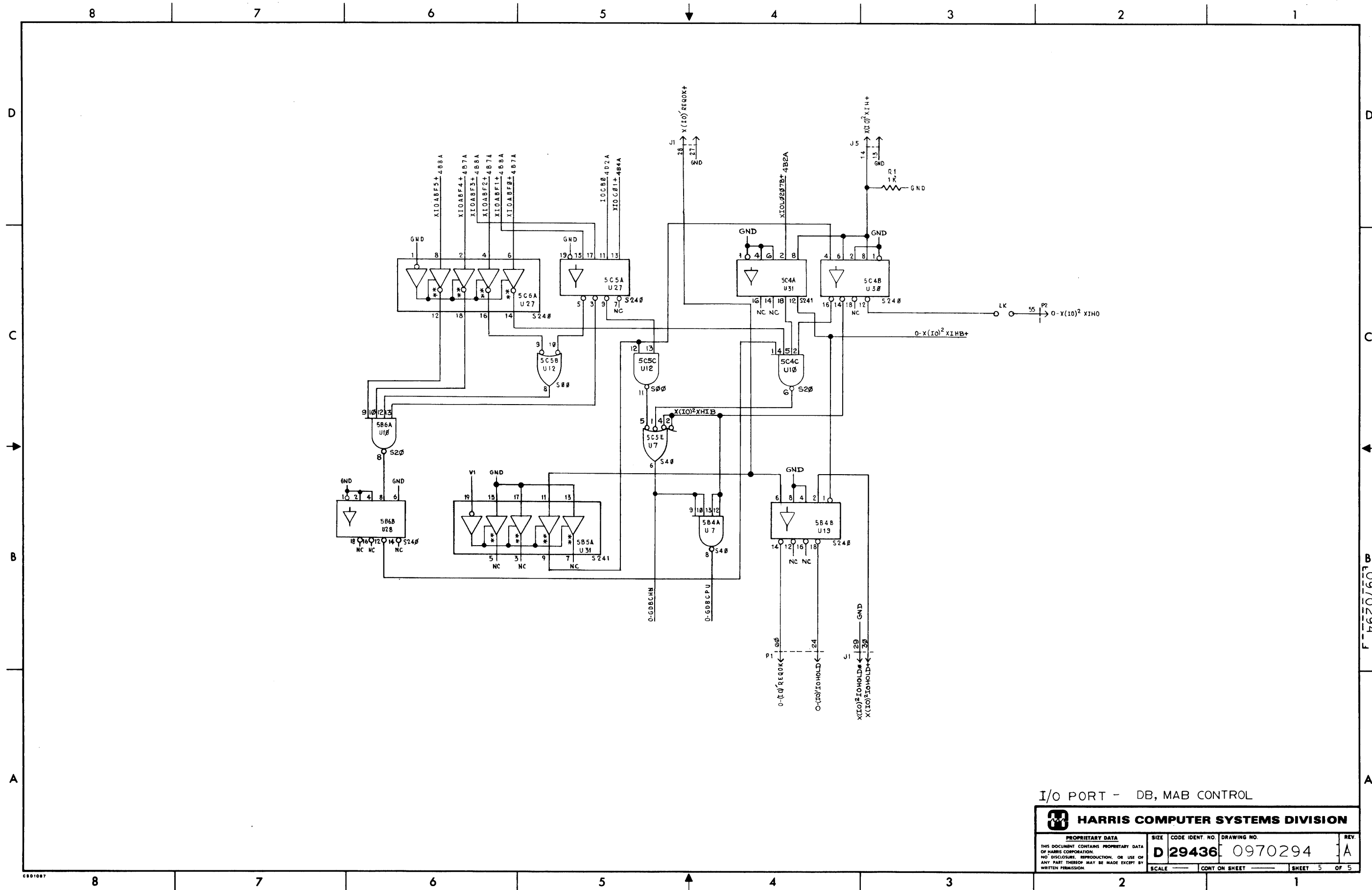
HARRIS COMPUTER SYSTEMS DIVISION			
PROPRIETARY DATA THIS DOCUMENT CONTAINS PROPRIETARY DATA OF HARRIS CORPORATION. NO DISCLOSURE, REPRODUCTION OR USE OF ANY PART THEREOF MAY BE MADE EXCEPT BY WRITTEN PERMISSION.			
SIZE	CODE IDENT NO	DRAWING NO	REV
D	29436	0970294	A
SCALE	CONT ON SHEET	SHEET	OF
	4	3	5



I/O PORT — MAB, ABF, CHAN, UNIT, CLOCKS, MISC

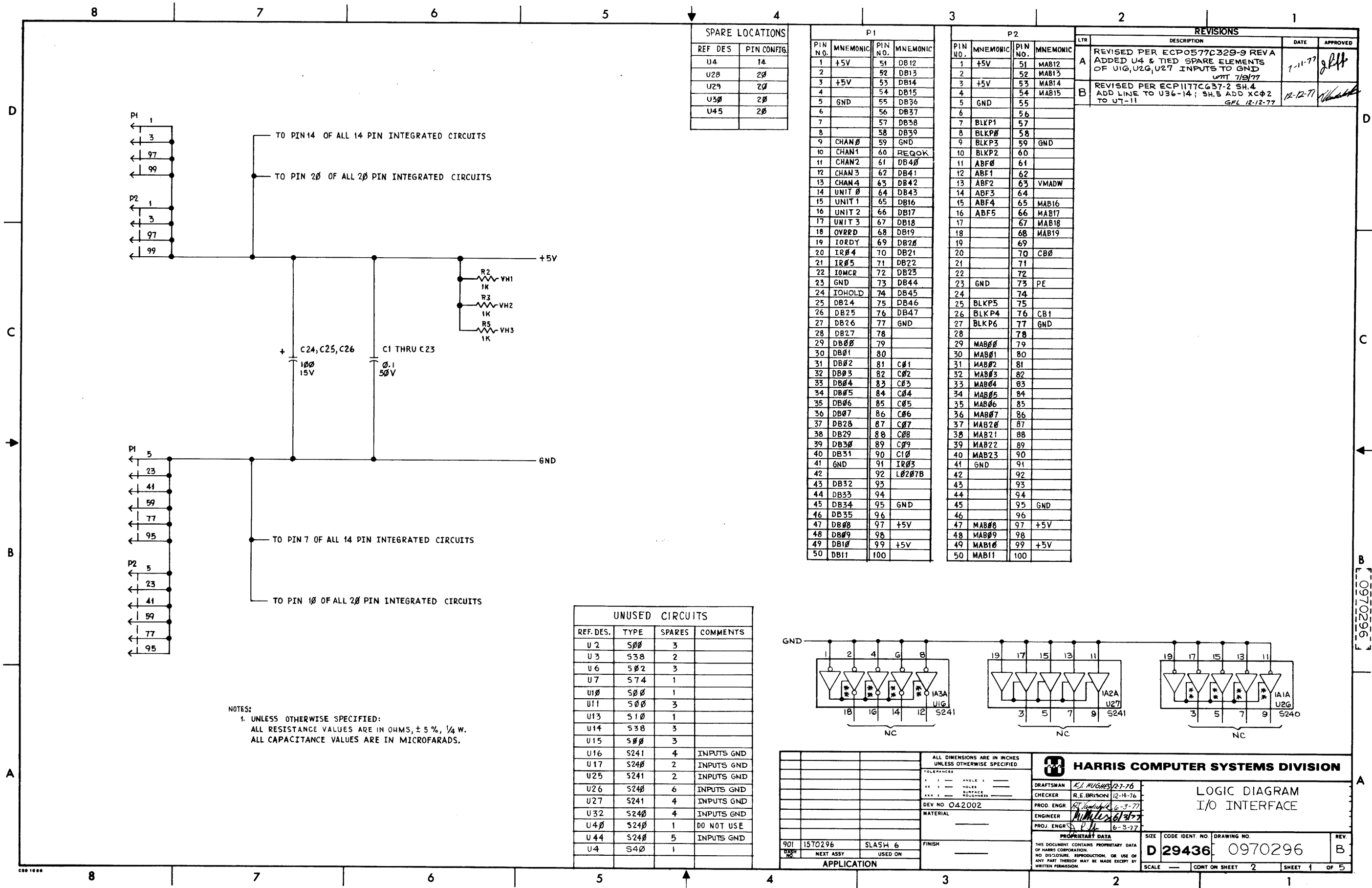
HARRIS COMPUTER SYSTEMS DIVISION	
PROPRIETARY DATA. THIS DOCUMENT CONTAINS PROPRIETARY DATA OF HARRIS CORPORATION. NO DISCLOSURE, REPRODUCTION, OR USE OF ANY PART THEREOF MAY BE MADE EXCEPT BY WRITTEN PERMISSION.	
SIZE D 29436	CODE IDENT. NO. DRAWING NO. 0970294
SCALE	CONT ON SHEET 5 SHEET 4 OF 5

1-12-77



I/O PORT - DB, MAB CONTROL

HARRIS COMPUTER SYSTEMS DIVISION			
PROPRIETARY DATA THIS DOCUMENT CONTAINS PROPRIETARY DATA OF HARRIS CORPORATION. NO DISCLOSURE, REPRODUCTION, OR USE OF ANY PART THEREOF MAY BE MADE EXCEPT BY WRITTEN PERMISSION.	SIZE D 29436	CODE IDENT NO. 0970294	DRAWING NO. A
SCALE	CONT ON SHEET	SHEET 5	OF 5



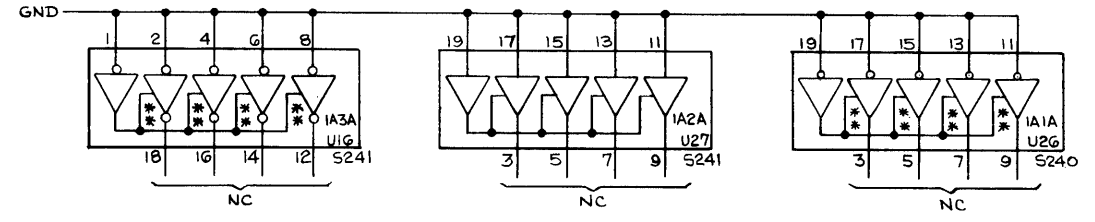
SPARE LOCATIONS	
REF DES	PIN CONFIG
U4	14
U28	20
U29	20
U30	20
U45	20

P1		P2	
PIN NO.	MNEMONIC	PIN NO.	MNEMONIC
1	+5V	51	DB12
2		52	DB13
3	+5V	53	DB14
4		54	DB15
5	GND	55	DB36
6		56	DB37
7		57	DB38
8		58	DB39
9	CHAN 0	59	GND
10	CHAN1	60	REQOK
11	CHAN2	61	DB40
12	CHAN3	62	DB41
13	CHAN4	63	DB42
14	UNIT 0	64	DB43
15	UNIT 1	65	DB16
16	UNIT 2	66	DB17
17	UNIT 3	67	DB18
18	OVRD	68	DB19
19	IORDY	69	DB20
20	IR04	70	DB21
21	IR05	71	DB22
22	IOMCR	72	DB23
23	GND	73	DB44
24	IOHOLD	74	DB45
25	DB24	75	DB46
26	DB25	76	DB47
27	DB26	77	GND
28	DB27	78	
29	DB00	79	
30	DB01	80	
31	DB02	81	C01
32	DB03	82	C02
33	DB04	83	C03
34	DB05	84	C04
35	DB06	85	C05
36	DB07	86	C06
37	DB28	87	C07
38	DB29	88	C08
39	DB30	89	C09
40	DB31	90	C10
41	GND	91	IR03
42		92	L0207B
43	DB32	93	
44	DB33	94	
45	DB34	95	GND
46	DB35	96	
47	DB08	97	+5V
48	DB09	98	
49	DB10	99	+5V
50	DB11	100	

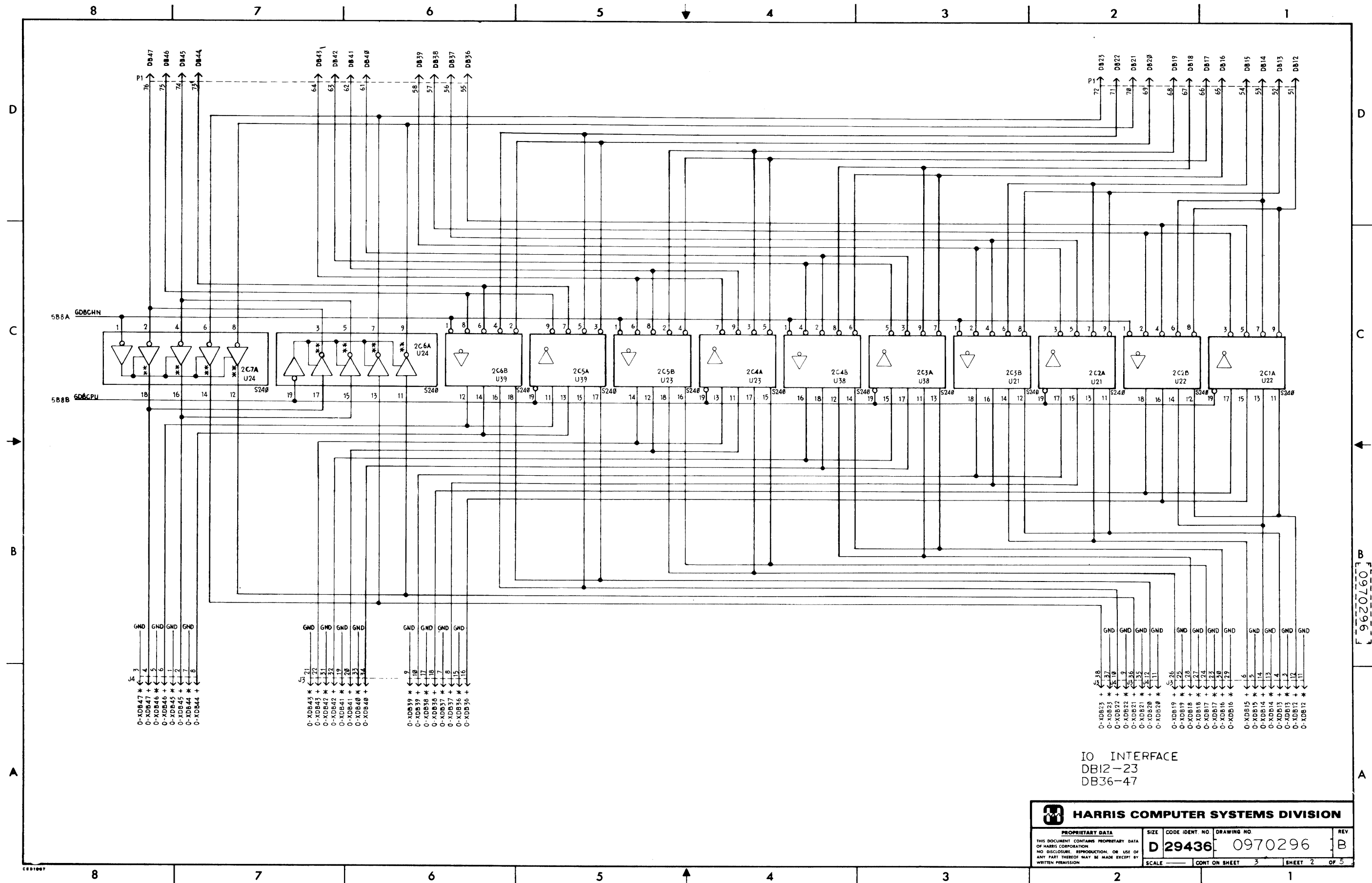
REVISIONS			
LTR	DESCRIPTION	DATE	APPROVED
A	REVISED PER ECP0577C329-9 REVA ADDED U4 & TIED SPARE ELEMENTS OF U1G, U2G, U27 INPUTS TO GND LWT 7/9/77	7-11-77	JRH
B	REVISED PER ECP1177C637-2 SH.4 ADD LINE TO U36-14; SH.5 ADD XC02 TO U7-11 GFL 12-12-77	12-12-77	W...

UNUSED CIRCUITS			
REF. DES.	TYPE	SPARES	COMMENTS
U 2	S00	3	
U 3	S38	2	
U 6	S02	3	
U 7	S74	1	
U10	S00	1	
U11	S00	3	
U13	S10	1	
U14	S38	3	
U15	S00	3	
U16	S241	4	INPUTS GND
U17	S240	2	INPUTS GND
U25	S241	2	INPUTS GND
U26	S240	6	INPUTS GND
U27	S241	4	INPUTS GND
U32	S240	4	INPUTS GND
U40	S240	1	DO NOT USE
U44	S240	5	INPUTS GND
U4	S40	1	

NOTES:
1. UNLESS OTHERWISE SPECIFIED:
ALL RESISTANCE VALUES ARE IN OHMS, ± 5%, 1/4 W.
ALL CAPACITANCE VALUES ARE IN MICROFARADS.

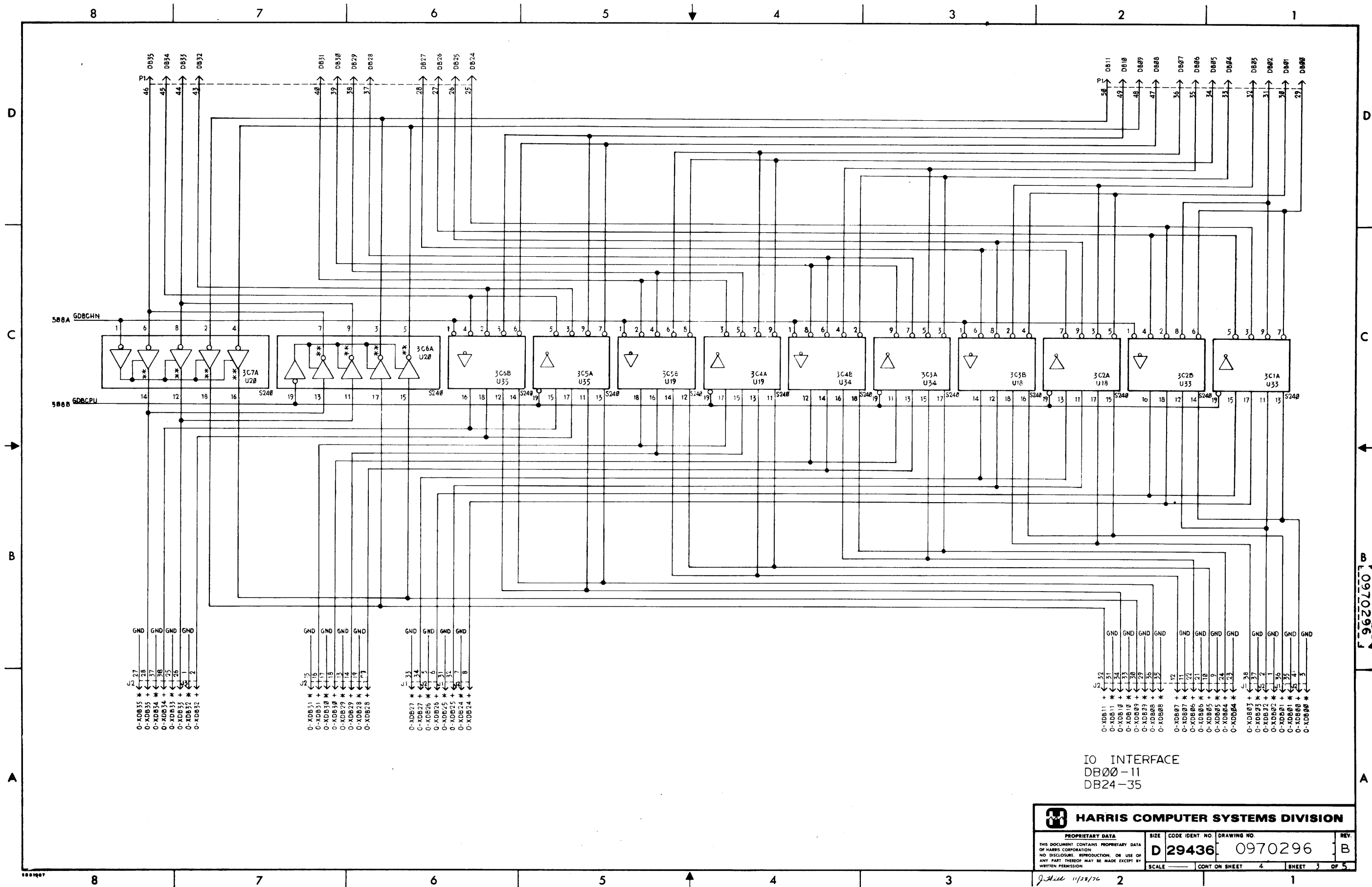


901 1570296 SLASH 6		ALL DIMENSIONS ARE IN INCHES UNLESS OTHERWISE SPECIFIED		HARRIS COMPUTER SYSTEMS DIVISION	
NEXT ASSY USED ON		FINISH			
APPLICATION		MATERIAL		DRAFTSMAN: K.J. NUGHS/27-76 CHECKER: R.E. BRIVSON 12-10-76 PROD. ENGR: K.J. NUGHS/26-3-77 ENGINEER: M.H. L.../6-3-77 PROJ. ENGR: P.J. .../6-3-77	
901 1570296		901 1570296		PROPRIETARY DATA THIS DOCUMENT CONTAINS PROPRIETARY DATA OF HARRIS CORPORATION. NO DISCLOSURE, REPRODUCTION, OR USE OF ANY PART THEREOF MAY BE MADE EXCEPT BY WRITTEN PERMISSION.	
SIZE		CODE IDENT. NO.		DRAWING NO.	
D 29436		0970296		B	
SCALE		CONT ON SHEET		SHEET 1 OF 5	



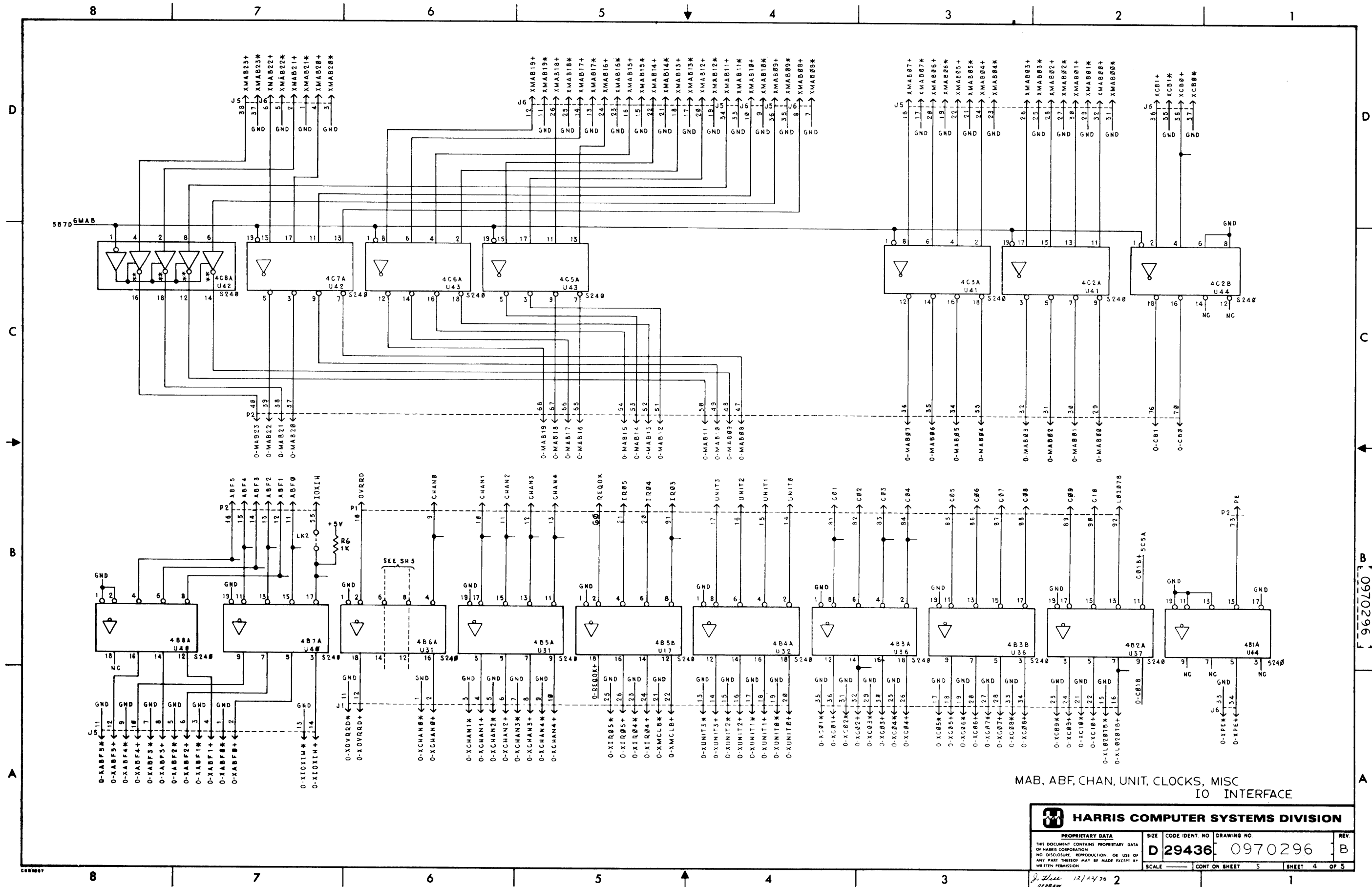
IO INTERFACE
DB12-23
DB36-47

HARRIS COMPUTER SYSTEMS DIVISION			
PROPRIETARY DATA THIS DOCUMENT CONTAINS PROPRIETARY DATA OF HARRIS CORPORATION. NO DISCLOSURE, REPRODUCTION, OR USE OF ANY PART THEREOF MAY BE MADE EXCEPT BY WRITTEN PERMISSION.			
SIZE	CODE IDENT. NO.	DRAWING NO.	REV.
D 29436	0970296	B	B
SCALE	CONT. ON SHEET	3	SHEET 2 OF 5



IO INTERFACE
 DB00-11
 DB24-35

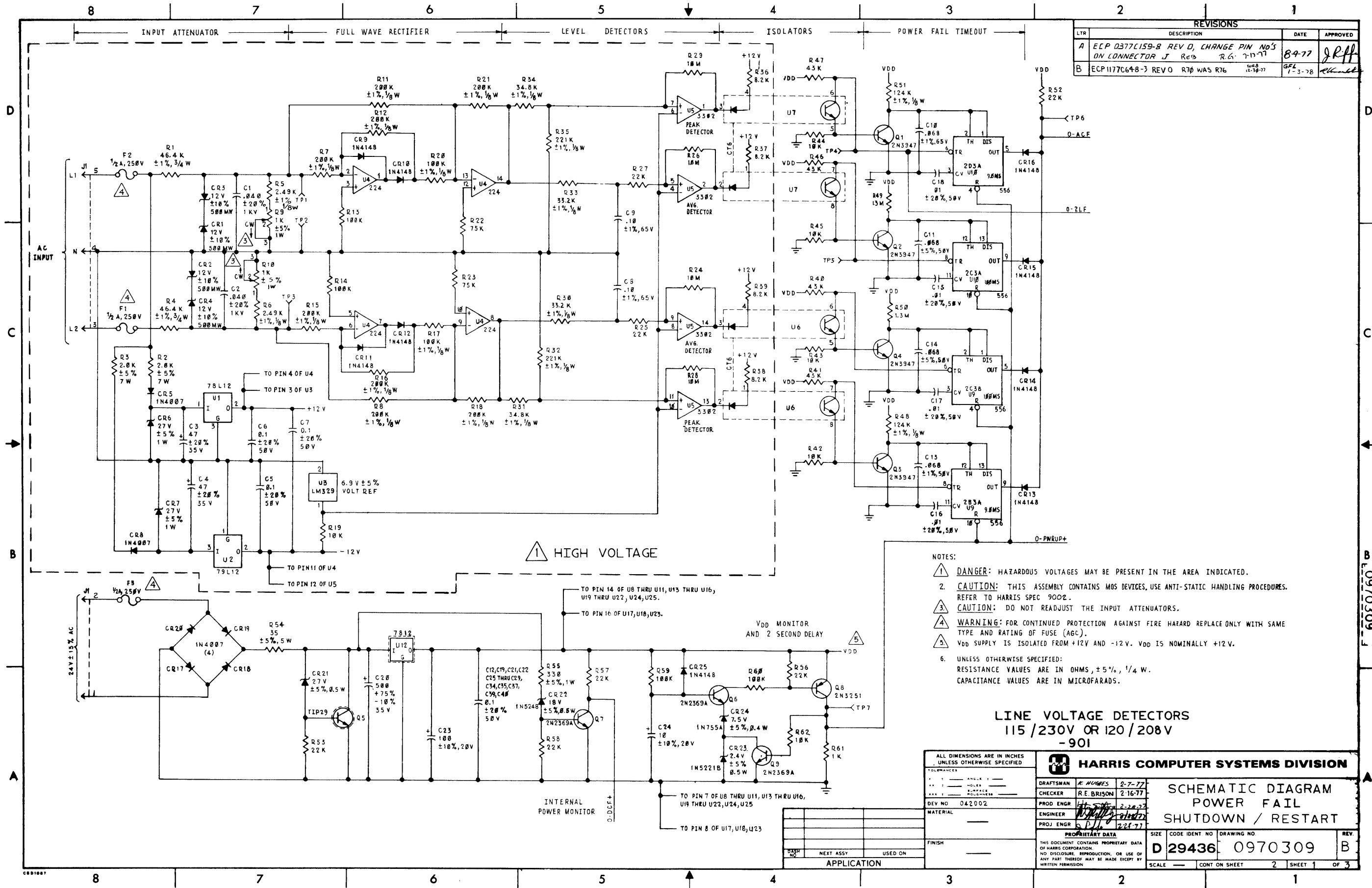
HARRIS COMPUTER SYSTEMS DIVISION			
PROPRIETARY DATA THIS DOCUMENT CONTAINS PROPRIETARY DATA OF HARRIS CORPORATION. NO DISCLOSURE, REPRODUCTION, OR USE OF ANY PART THEREOF MAY BE MADE EXCEPT BY WRITTEN PERMISSION.			
SIZE	CODE IDENT NO.	DRAWING NO.	REV.
D	29436	0970296	B
SCALE		CONT ON SHEET	SHEET 3 OF 5



MAB, ABF, CHAN, UNIT, CLOCKS, MISC
IO INTERFACE

HARRIS COMPUTER SYSTEMS DIVISION			
PROPRIETARY DATA THIS DOCUMENT CONTAINS PROPRIETARY DATA OF HARRIS CORPORATION. NO DISCLOSURE, REPRODUCTION, OR USE OF ANY PART THEREOF MAY BE MADE EXCEPT BY WRITTEN PERMISSION.			
SIZE	CODE IDENT NO	DRAWING NO.	REV
D	29436	0970296	B
SCALE	CONT ON SHEET	SHEET	OF
	5	4	5

J. Lee
REPAIR 12/27/76

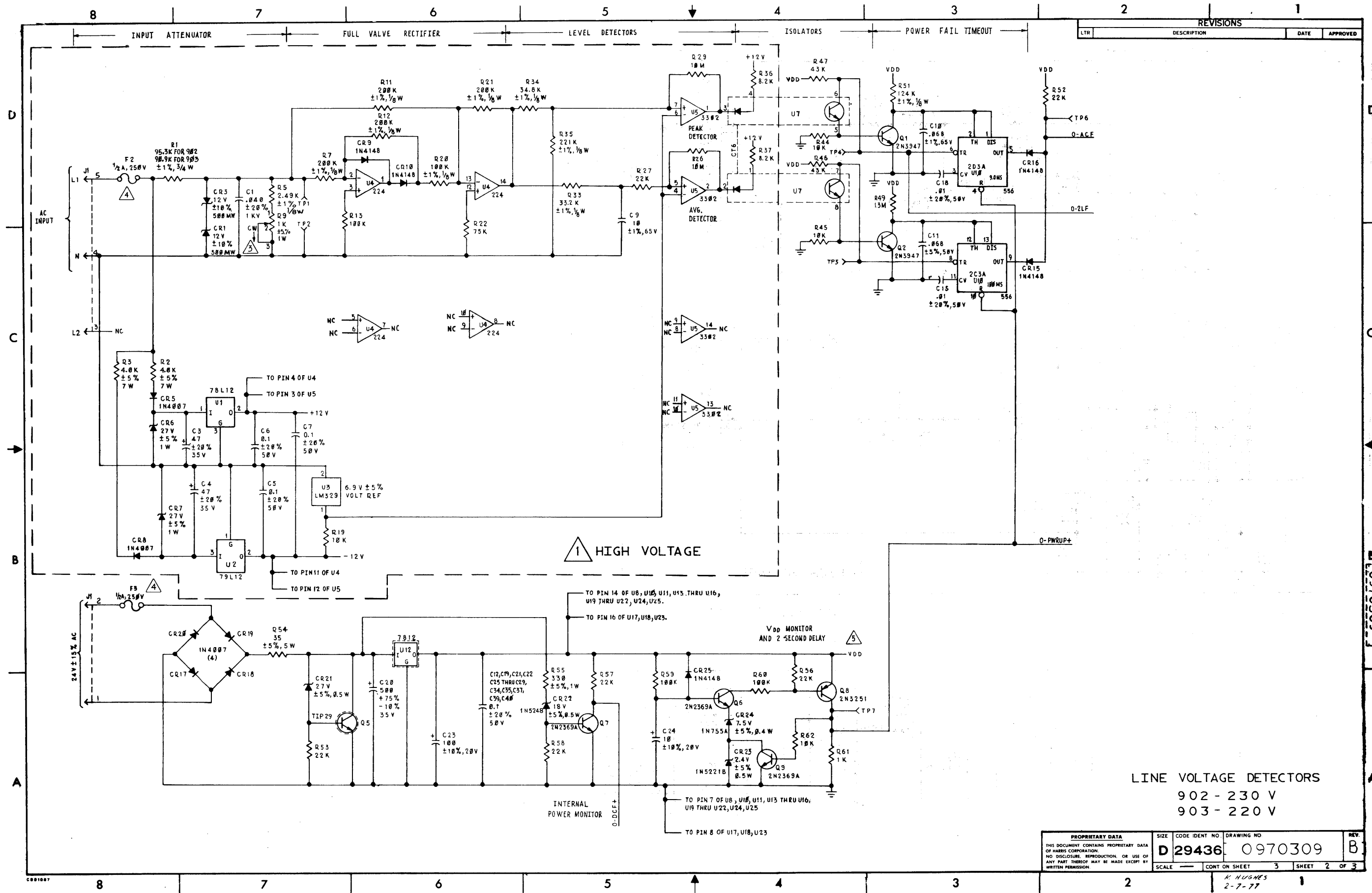


REVISIONS		
LTR	DESCRIPTION	DATE
A	ECP 0377C159-B REV D, CHANGE PIN NO'S ON CONNECTOR J	8-9-77
B	ECP1177C64-8-3 REV 0 R70 WAS R76	1-3-78

- NOTES:
- DANGER:** HAZARDOUS VOLTAGES MAY BE PRESENT IN THE AREA INDICATED.
 - CAUTION:** THIS ASSEMBLY CONTAINS MOS DEVICES. USE ANTI-STATIC HANDLING PROCEDURES. REFER TO HARRIS SPEC 9002.
 - CAUTION:** DO NOT READJUST THE INPUT ATTENUATORS.
 - WARNING:** FOR CONTINUED PROTECTION AGAINST FIRE HAZARD REPLACE ONLY WITH SAME TYPE AND RATING OF FUSE (AGC).
VDD SUPPLY IS ISOLATED FROM +12V AND -12V. VDD IS NOMINALLY +12V.
 - UNLESS OTHERWISE SPECIFIED:
RESISTANCE VALUES ARE IN OHMS, ±5%, 1/4 W.
CAPACITANCE VALUES ARE IN MICROFARADS.

LINE VOLTAGE DETECTORS
115 / 230V OR 120 / 208V
- 901

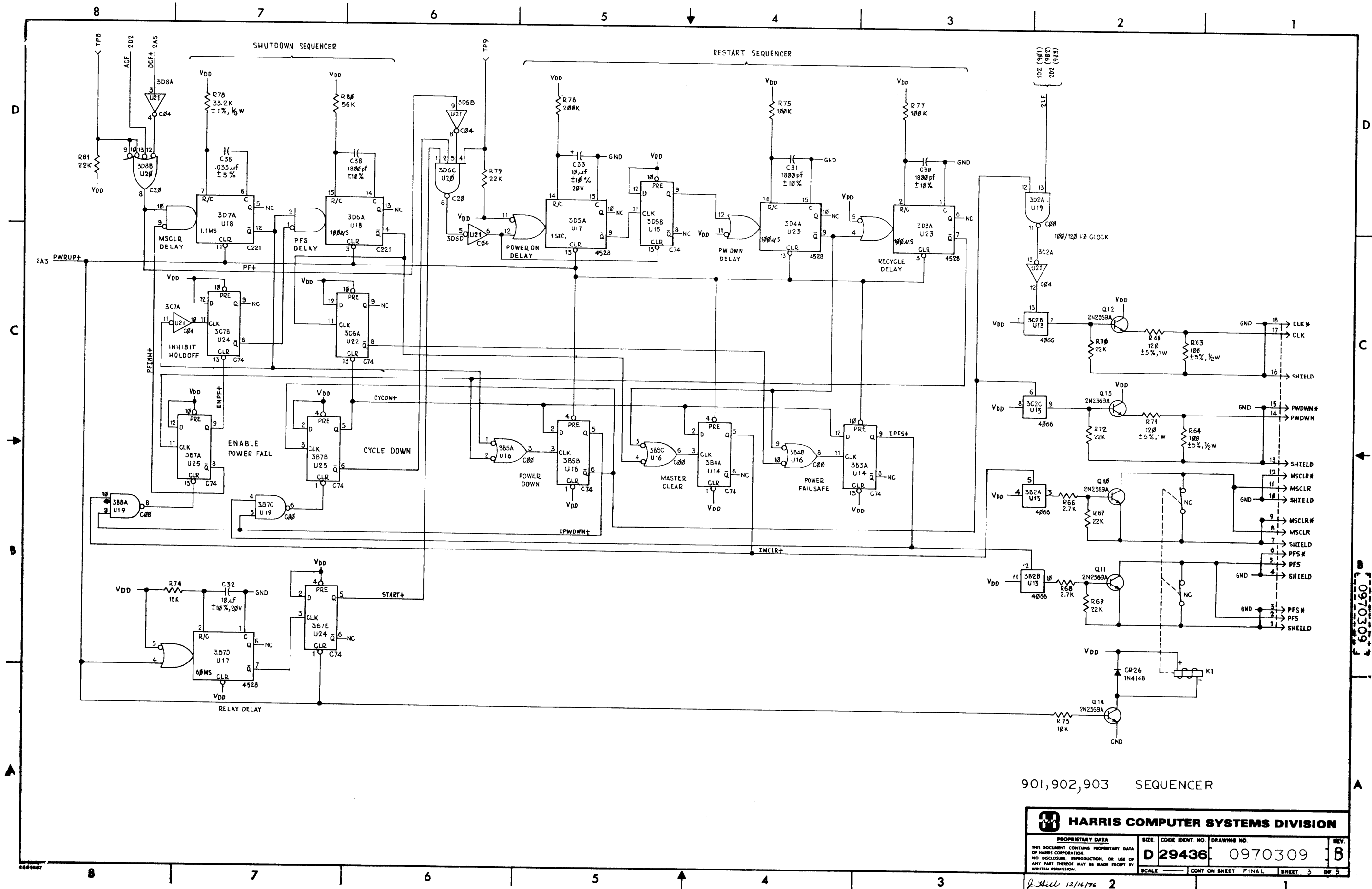
ALL DIMENSIONS ARE IN INCHES UNLESS OTHERWISE SPECIFIED.		HARRIS COMPUTER SYSTEMS DIVISION	
DRAFTSMAN	R. NUGES	2-7-77	SCHEMATIC DIAGRAM POWER FAIL SHUTDOWN / RESTART
CHECKER	R.E. BRISON	2-16-77	
DEV NO	042002	2-28-77	
ENGINEER	[Signature]	2-21-77	
PROJ ENGR	[Signature]	2-21-77	
FINISH		SIZE	CODE IDENT NO
APPLICATION		D 29436	0970309
NEXT ASSY		SCALE	CONT ON SHEET
USED ON		2	SHEET 1 OF 3



LINE VOLTAGE DETECTORS
902 - 230 V
903 - 220 V

PROPRIETARY DATA	SIZE	CODE IDENT NO.	DRAWING NO.	REV.
THIS DOCUMENT CONTAINS PROPRIETARY DATA OF HARRIS CORPORATION. NO DISCLOSURE, REPRODUCTION, OR USE OF ANY PART THEREOF MAY BE MADE EXCEPT BY WRITTEN PERMISSION.	D	29436	0970309	B
SCALE	CONT ON SHEET	3	SHEET	2 OF 3

K. HUGHES
2-7-77

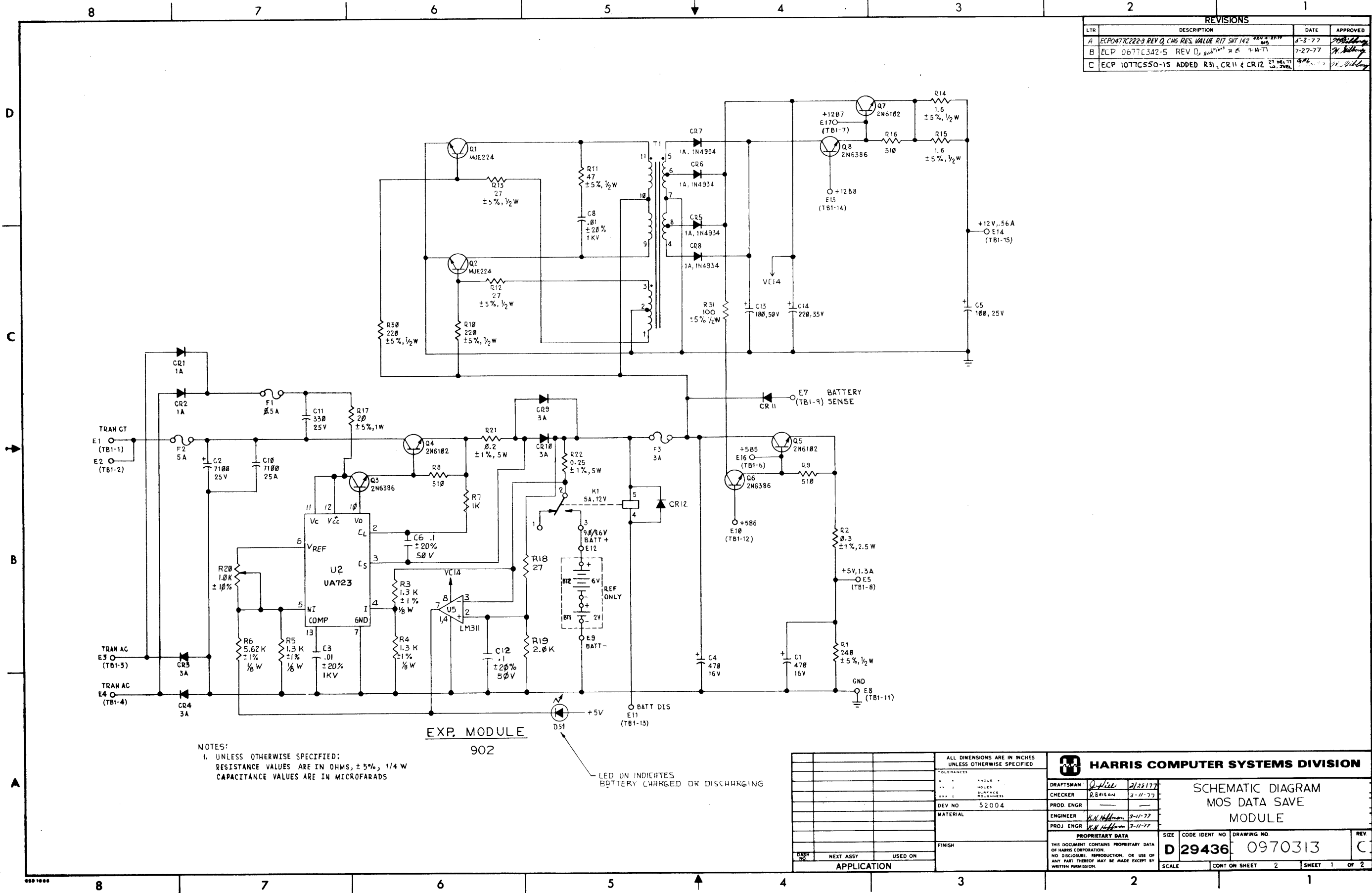


901, 902, 903 SEQUENCER

HARRIS COMPUTER SYSTEMS DIVISION			
PROPRIETARY DATA THIS DOCUMENT CONTAINS PROPRIETARY DATA OF HARRIS CORPORATION. NO DISCLOSURE, REPRODUCTION, OR USE OF ANY PART THEREOF MAY BE MADE WITHOUT WRITTEN PERMISSION.			
SIZE:	CODE IDENT. NO.:	DRAWING NO.:	REV.:
D 29436	0970309	B	
SCALE: CONT ON SHEET FINAL		SHEET 3	OF 3

J. Hill 12/16/76 2

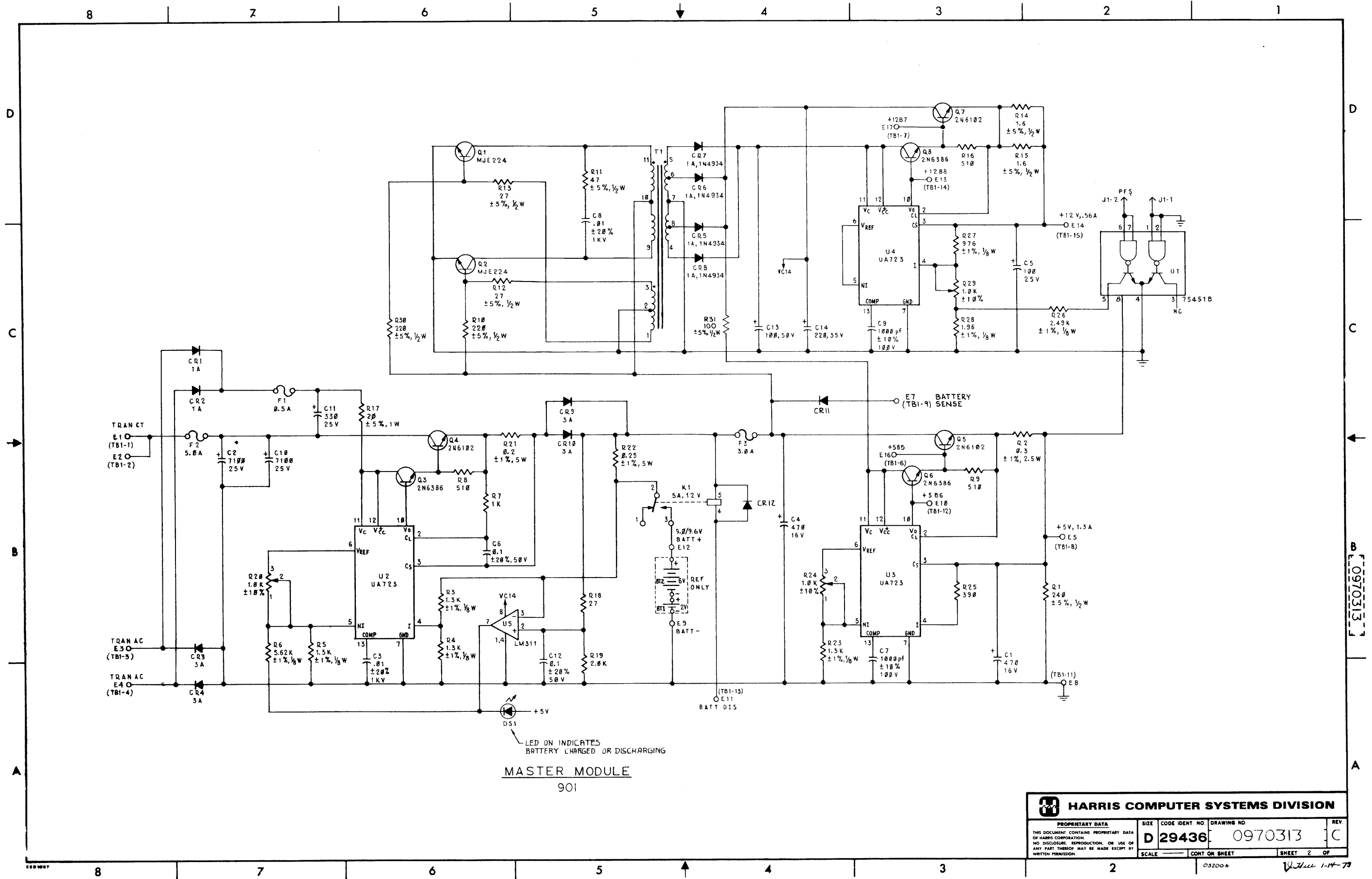
REVISIONS			
LTR	DESCRIPTION	DATE	APPROVED
A	ECP0477C222-3 REV Q, CHG RES VALUE R17 SMT 142	5-3-77	<i>[Signature]</i>
B	ECP 0677C342-5 REV D, R11, R12, R13, R14, R15, R16, R17, R18, R19, R20, R21, R22, R23, R24, R25, R26, R27, R28, R29, R30, R31, R32, R33, R34, R35, R36, R37, R38, R39, R40, R41, R42, R43, R44, R45, R46, R47, R48, R49, R50, R51, R52, R53, R54, R55, R56, R57, R58, R59, R60, R61, R62, R63, R64, R65, R66, R67, R68, R69, R70, R71, R72, R73, R74, R75, R76, R77, R78, R79, R80, R81, R82, R83, R84, R85, R86, R87, R88, R89, R90, R91, R92, R93, R94, R95, R96, R97, R98, R99, R100	7-27-77	<i>[Signature]</i>
C	ECP 1077C550-15 ADDED R31, CR11 & CR12	9-1-77	<i>[Signature]</i>



NOTES:
1. UNLESS OTHERWISE SPECIFIED:
RESISTANCE VALUES ARE IN OHMS, $\pm 5\%$, 1/4 W
CAPACITANCE VALUES ARE IN MICROFARADS

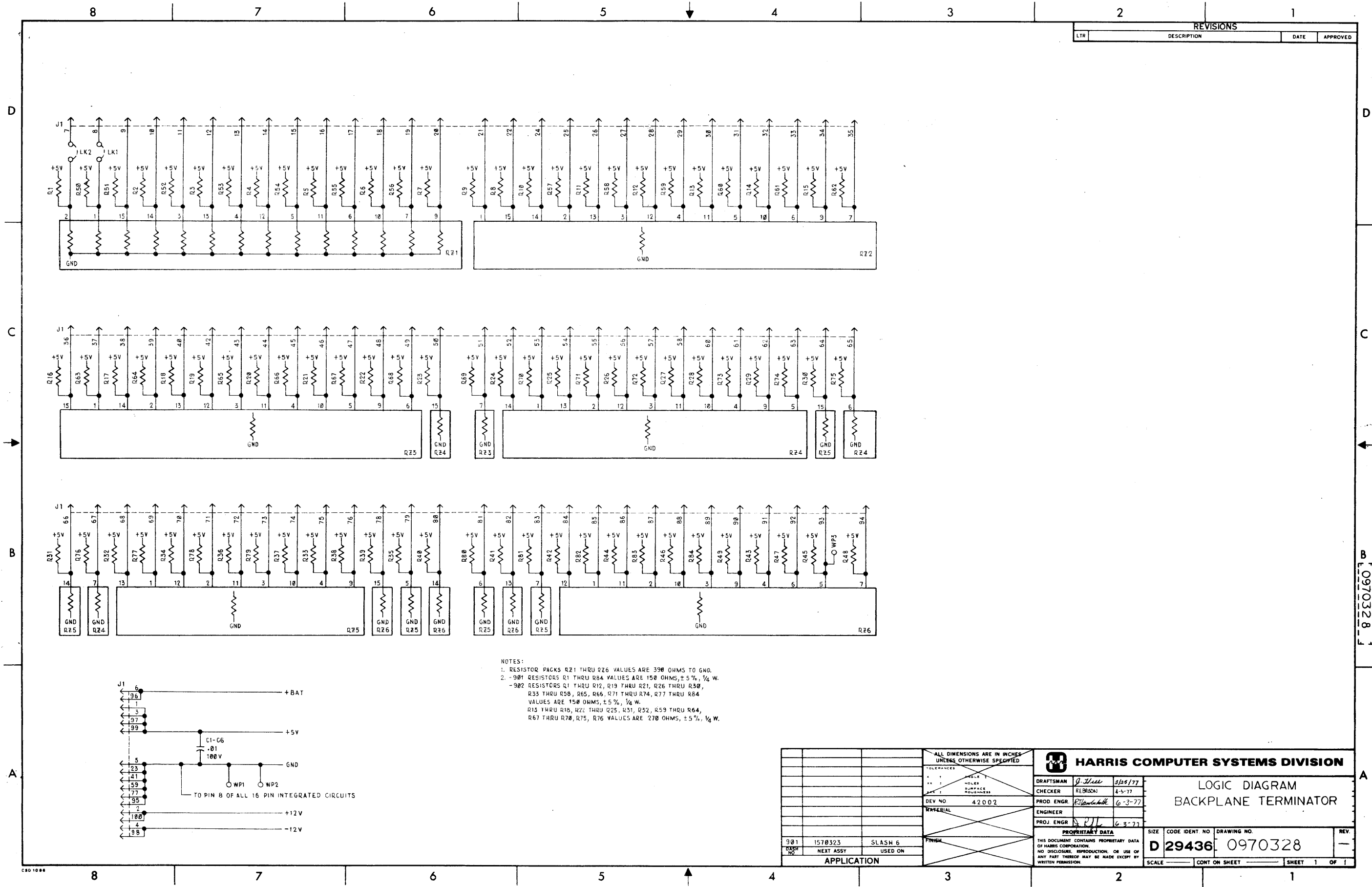
LED ON INDICATES BATTERY CHARGED OR DISCHARGING

TOLERANCES		HARRIS COMPUTER SYSTEMS DIVISION	
∞	ANGLE	DRAFTSMAN	3/23/77
∞	HOLE	CHECKER	3-11-77
∞	SLIPFIT	PROD. ENGR.	
∞	TOLERANCE	ENGINEER	3-11-77
∞		PROJ. ENGR.	3-11-77
PROPRIETARY DATA			
THIS DOCUMENT CONTAINS PROPRIETARY DATA OF HARRIS CORPORATION. NO DISCLOSURE, REPRODUCTION, OR USE OF ANY PART THEREOF MAY BE MADE EXCEPT BY WRITTEN PERMISSION.		SIZE	CODE IDENT NO.
APPLICATION		D	29436
		DRAWING NO.	0970313
		SCALE	CONT ON SHEET 2
		SHEET	1 OF 2



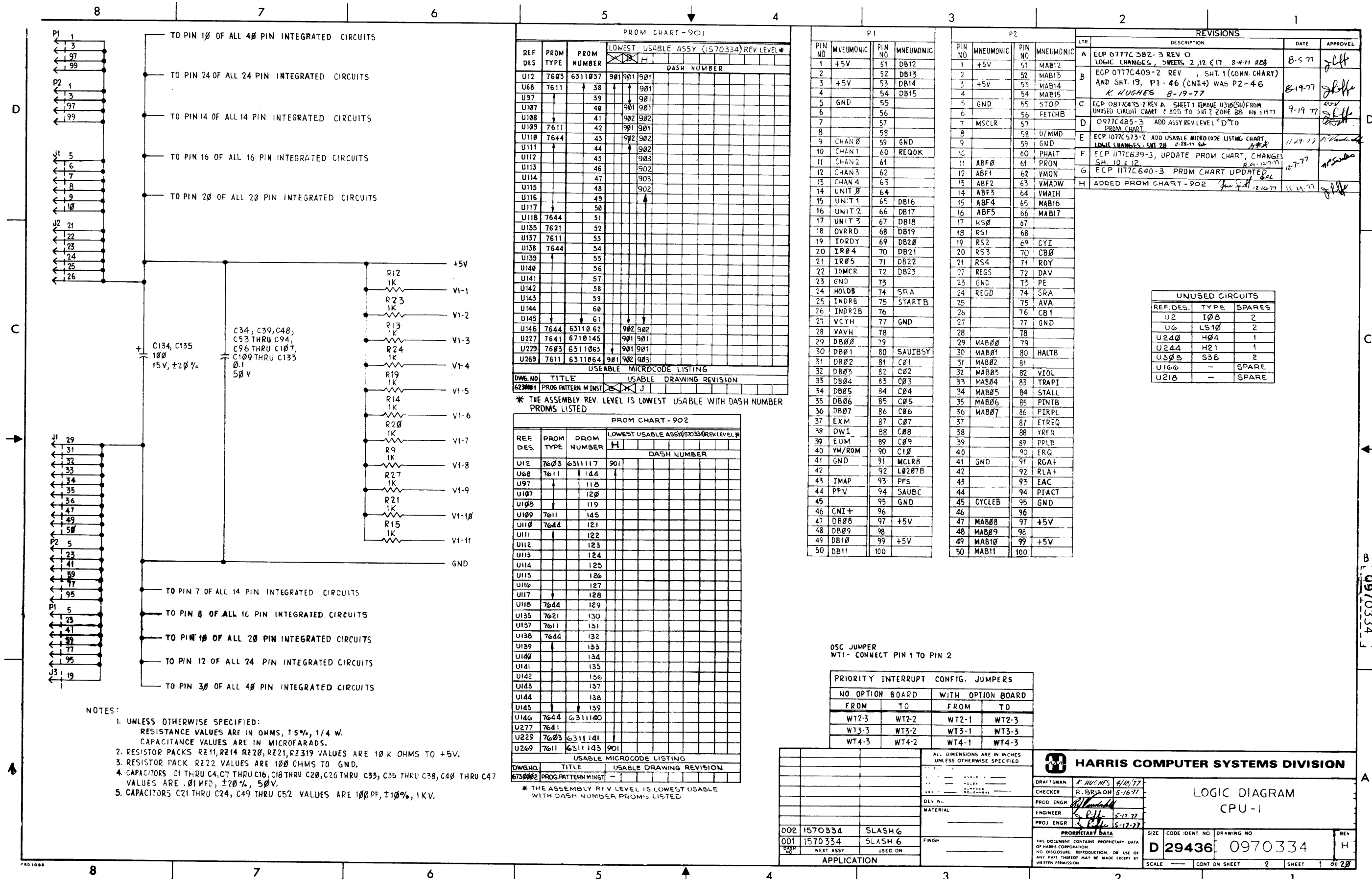
HARRIS COMPUTER SYSTEMS DIVISION			
PROPRIETARY DATA THIS DOCUMENT CONTAINS PROPRIETARY DATA OF HARRIS CORPORATION. NO DISCLOSURE, REPRODUCTION, OR USE OF ANY PART THEREOF MAY BE MADE EXCEPT BY WRITTEN PERMISSION.	SIZE	CODE IDENT. NO.	DRAWING NO.
	D	29436	0970313
SCALE	CONT ON SHEET	SHEET	2 OF

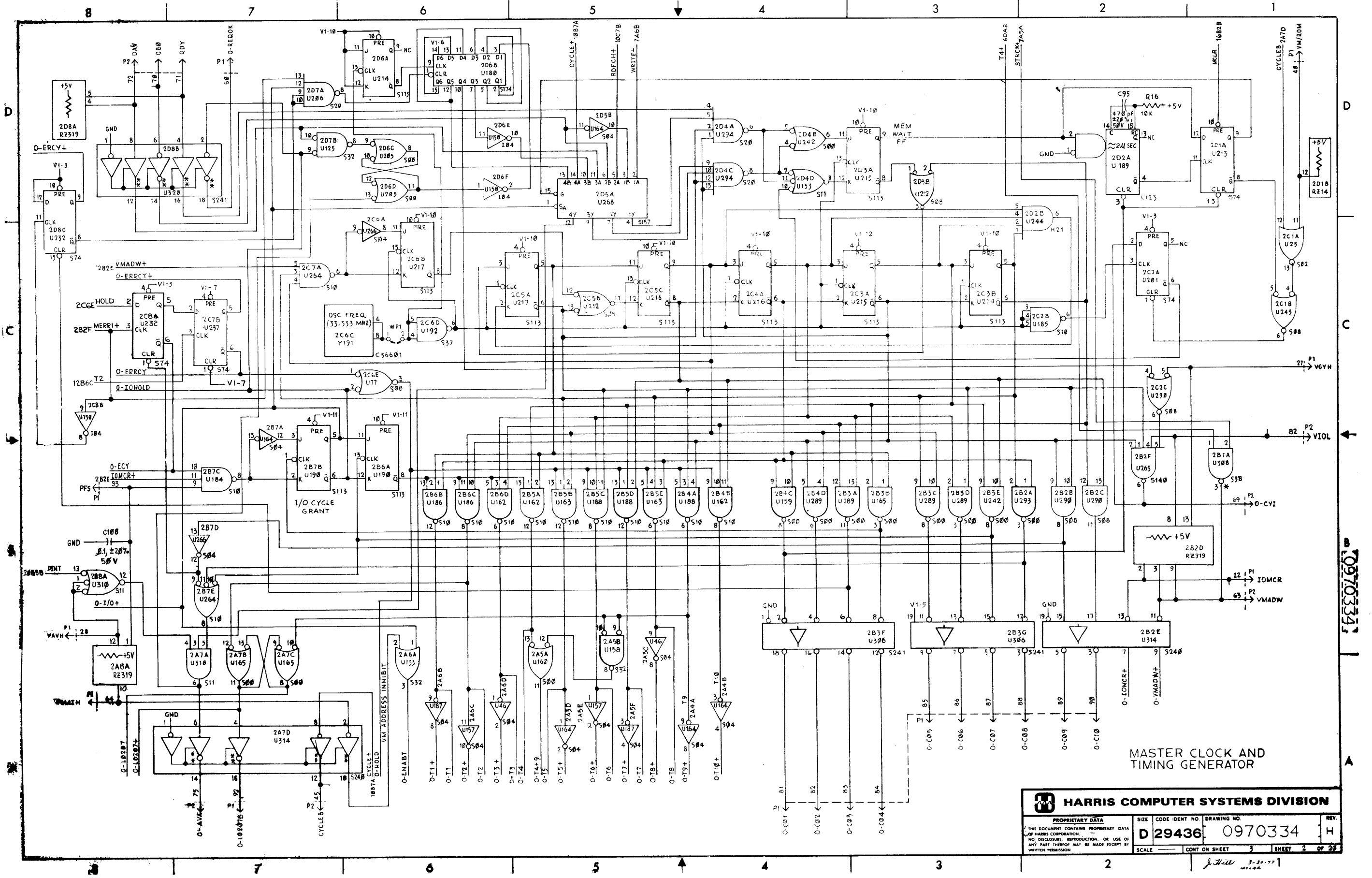
REVISIONS			
LTR	DESCRIPTION	DATE	APPROVED



NOTES:
 1. RESISTOR PACKS R21 THRU R26 VALUES ARE 390 OHMS TO GND.
 2. -901 RESISTORS R1 THRU R84 VALUES ARE 150 OHMS, ±5%, 1/4 W.
 -902 RESISTORS R1 THRU R12, R19 THRU R21, R26 THRU R30,
 R33 THRU R58, R65, R66, R71 THRU R74, R77 THRU R84
 VALUES ARE 150 OHMS, ±5%, 1/4 W.
 R13 THRU R18, R22 THRU R25, R31, R32, R59 THRU R64,
 R67 THRU R70, R75, R76 VALUES ARE 270 OHMS, ±5%, 1/4 W.

ALL DIMENSIONS ARE IN INCHES UNLESS OTHERWISE SPECIFIED		HARRIS COMPUTER SYSTEMS DIVISION	
TOLERANCES	FINISH	DRAFTSMAN	3/28/77
±.010		CHECKER	REBRISON 4-5-77
±.005	HOLE	DEV NO	42002
±.002	SURFACE	PROJ ENGR	6-3-77
±.001	ROUGHNESS	ENGINEER	6-3-77
		PROJ ENGR	6-3-77
MATERIAL		PROPRIETARY DATA	
		SIZE	CODE IDENT NO
		D	29436
		DRAWING NO.	0970328
		REV.	
		SCALE	CONT ON SHEET
		SHEET	1 OF 1

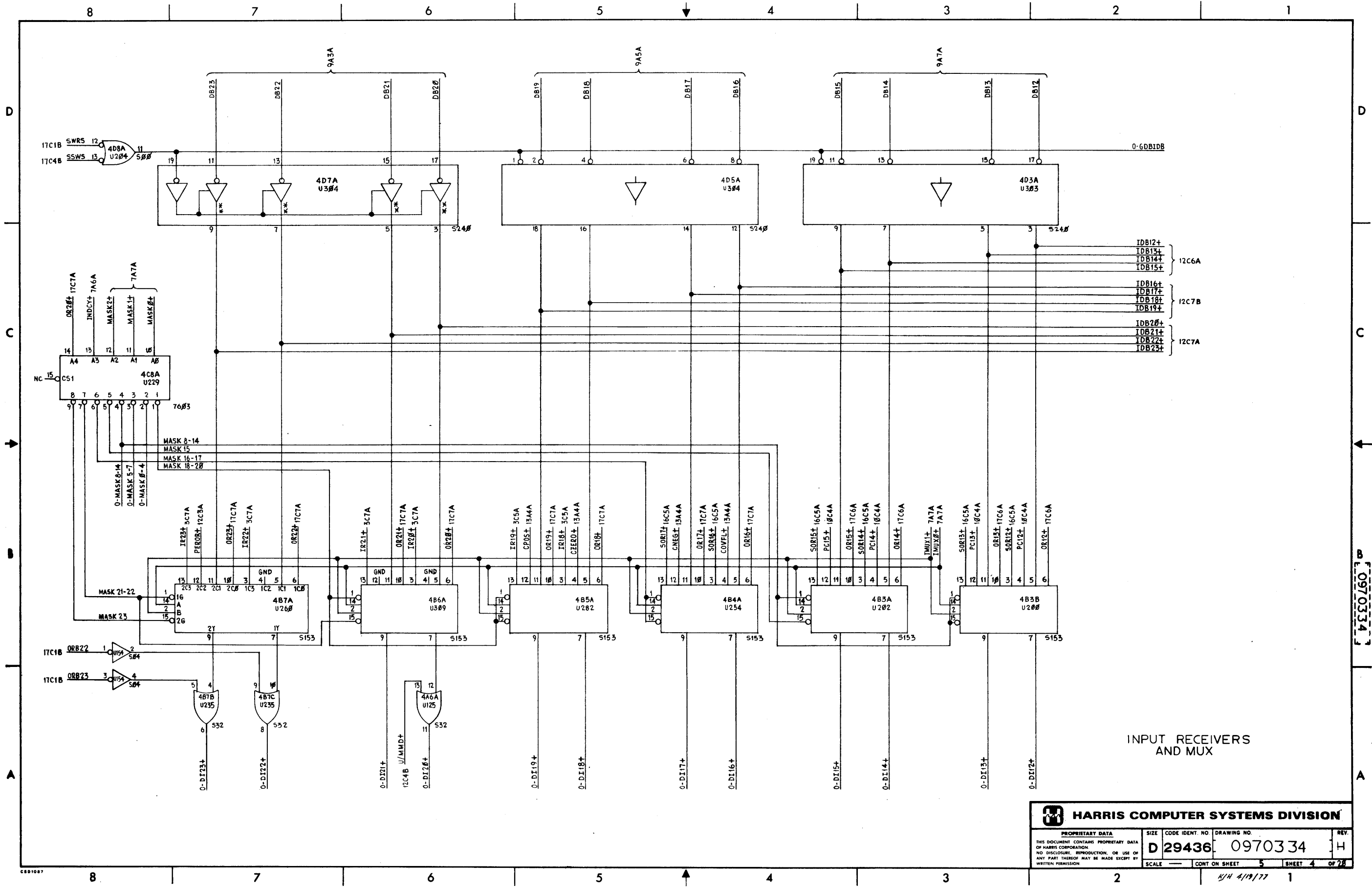




MASTER CLOCK AND
TIMING GENERATOR

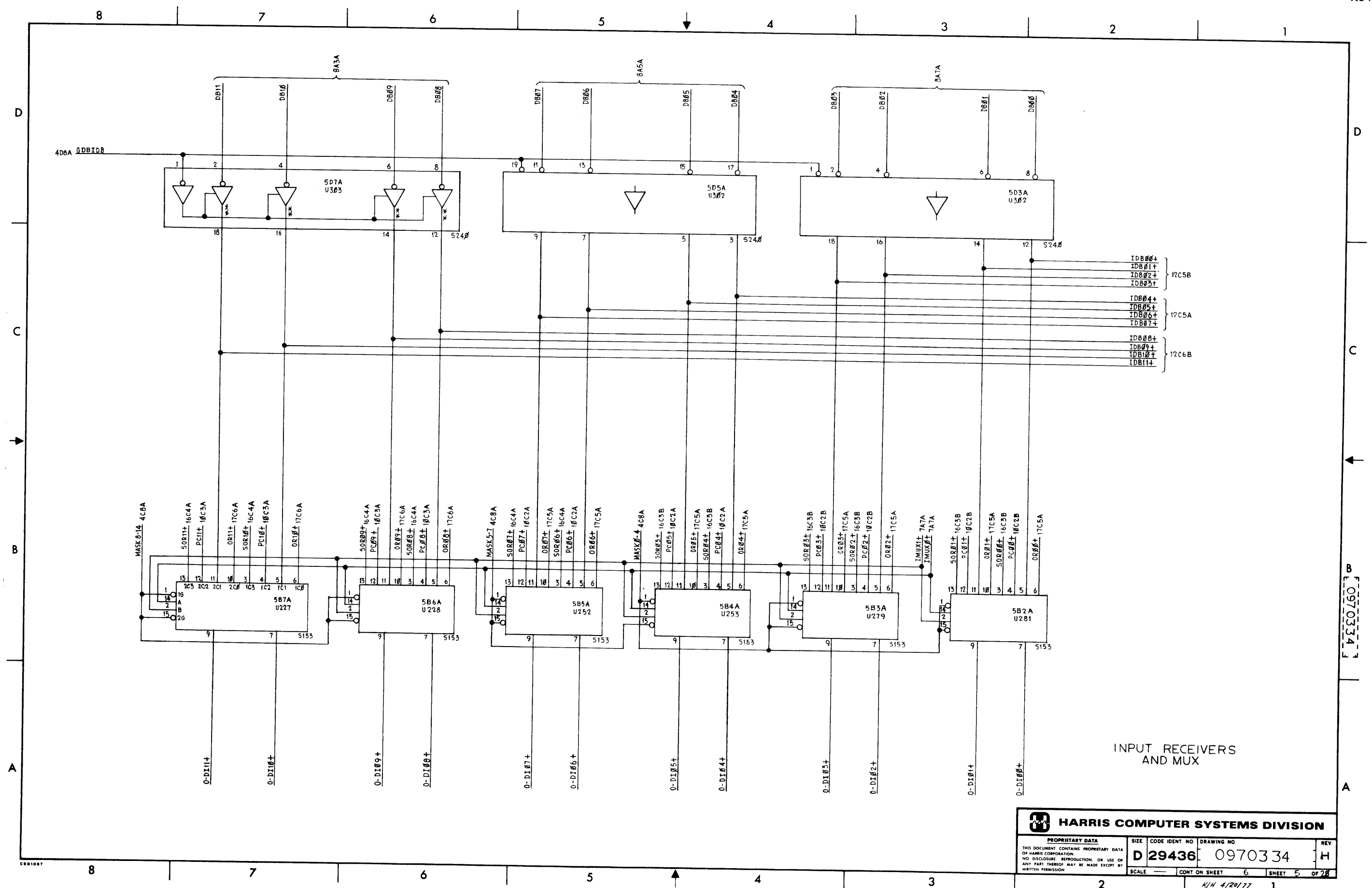
HARRIS COMPUTER SYSTEMS DIVISION			
PROPRIETARY DATA	SIZE	CODE IDENT NO.	DRAWING NO.
THIS DOCUMENT CONTAINS PROPRIETARY DATA OF HARRIS CORPORATION. NO DISCLOSURE, REPRODUCTION, OR USE OF ANY PART THEREOF MAY BE MADE EXCEPT BY WRITTEN PERMISSION.		D 29436	0970334
SCALE	CONT ON SHEET	SHEET	REV.
	3	2	H

J Hill 3-30-77



INPUT RECEIVERS AND MUX

HARRIS COMPUTER SYSTEMS DIVISION			
PROPRIETARY DATA THIS DOCUMENT CONTAINS PROPRIETARY DATA OF HARRIS CORPORATION. NO DISCLOSURE, REPRODUCTION, OR USE OF ANY PART THEREOF MAY BE MADE EXCEPT BY WRITTEN PERMISSION.			
SIZE	CODE IDENT. NO.	DRAWING NO.	REV.
D 29436	0970334	H	H
SCALE	CONT. ON SHEET	5	SHEET 4 OF 28



INPUT RECEIVERS
AND MUX

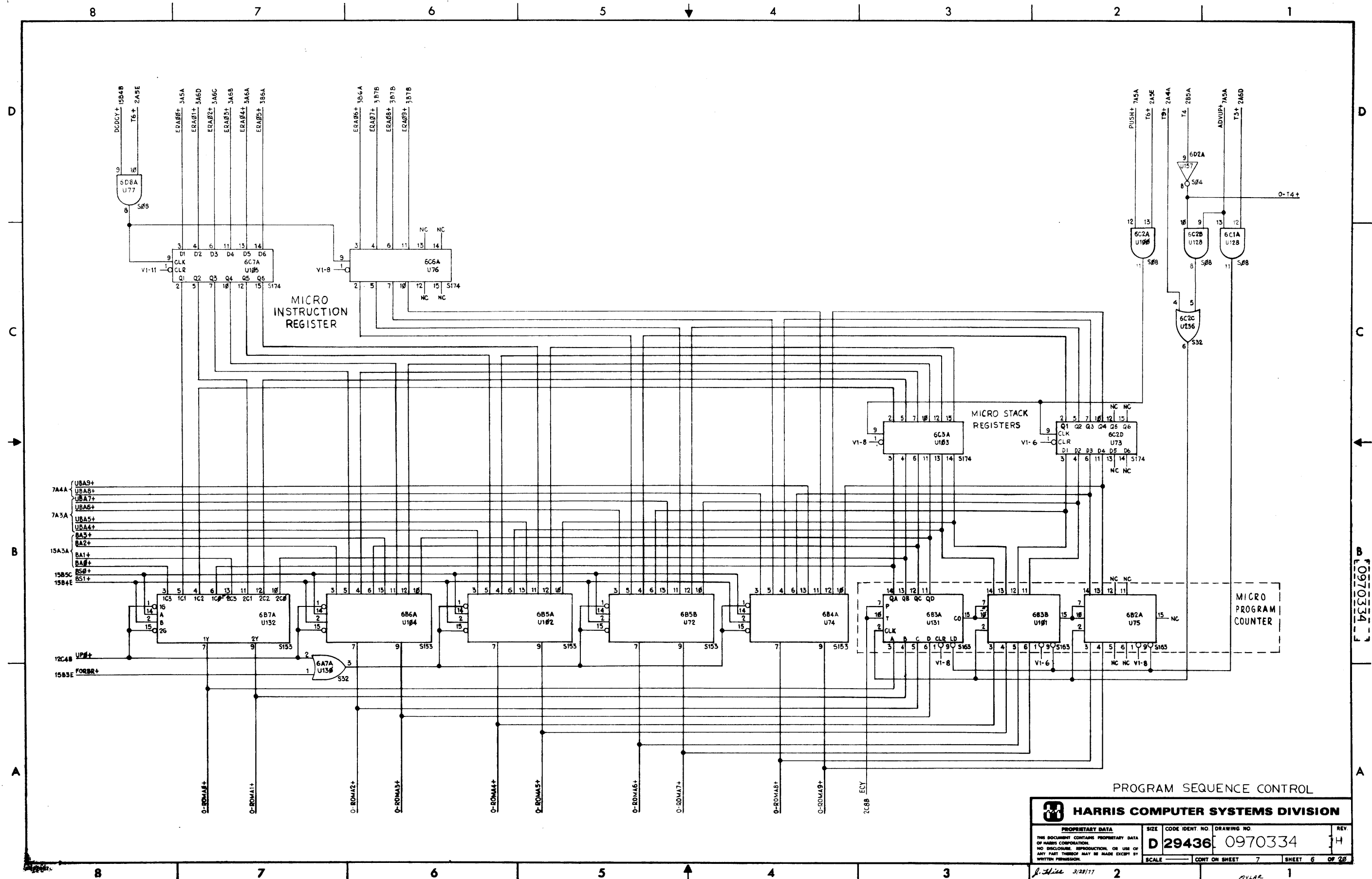
HARRIS COMPUTER SYSTEMS DIVISION

PROPRIETARY DATA

THIS DOCUMENT CONTAINS PROPRIETARY DATA OF HARRIS CORPORATION. NO DISCLOSURE, REPRODUCTION, OR USE OF ANY PART THEREOF MAY BE MADE EXCEPT BY WRITTEN PERMISSION.

SIZE	CODE IDENT NO	DRAWING NO	REV
D	29436	0970334	H
SCALE	CONT ON SHEET	SHEET	OF
	6	5	28

K/JH 4/20/77 1

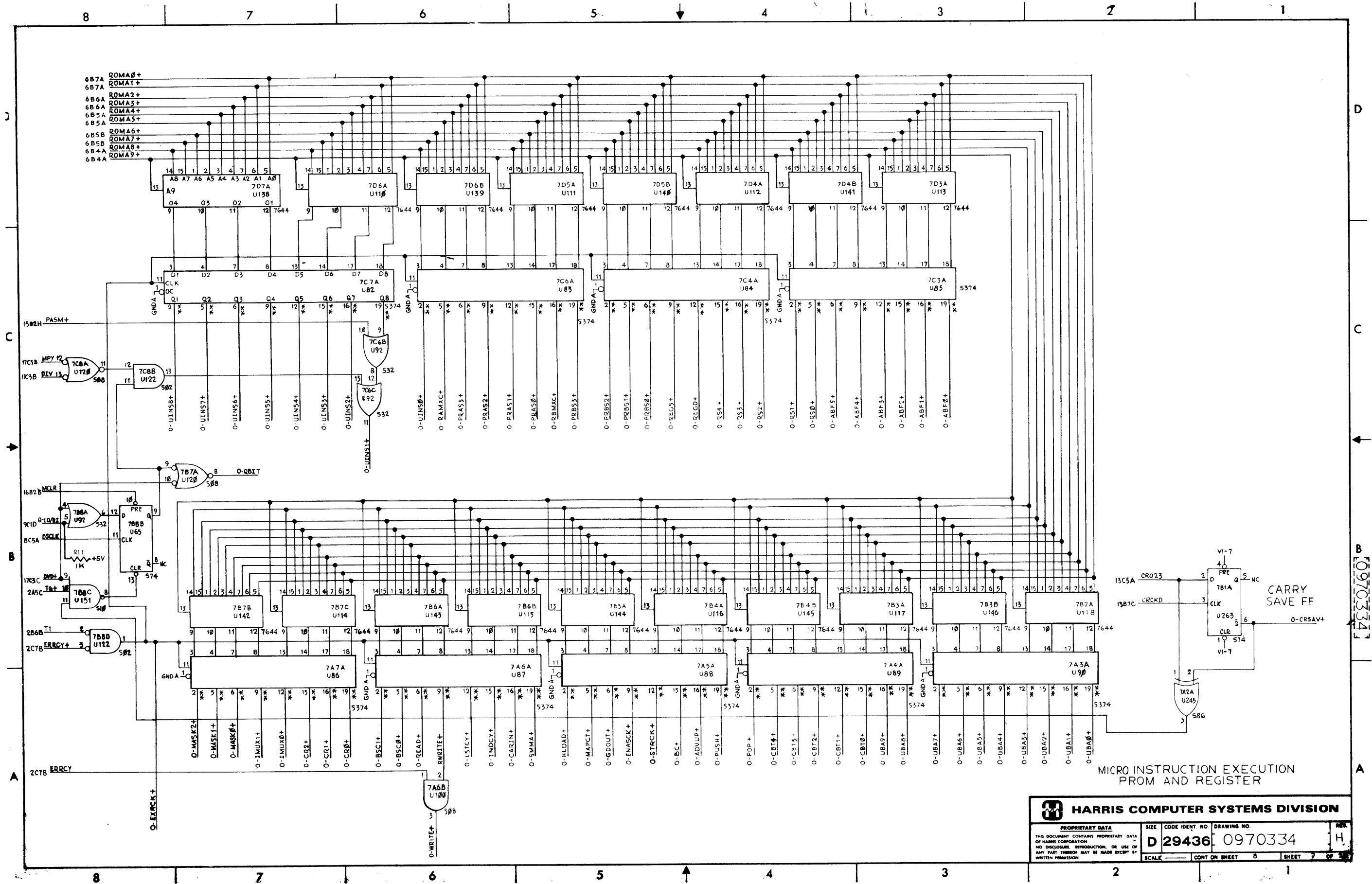


PROGRAM SEQUENCE CONTROL

HARRIS COMPUTER SYSTEMS DIVISION	
PROPRIETARY DATA THIS DOCUMENT CONTAINS PROPRIETARY DATA OF HARRIS CORPORATION. NO DISCLOSURE, REPRODUCTION, OR USE OF ANY PART THEREOF MAY BE MADE EXCEPT BY WRITTEN PERMISSION.	SIZE CODE IDENT. NO. DRAWING NO. D 29436 0970334
SCALE CONT ON SHEET 7	SHEET 6 OF 25

J. Hill 3/28/77

AVLAR



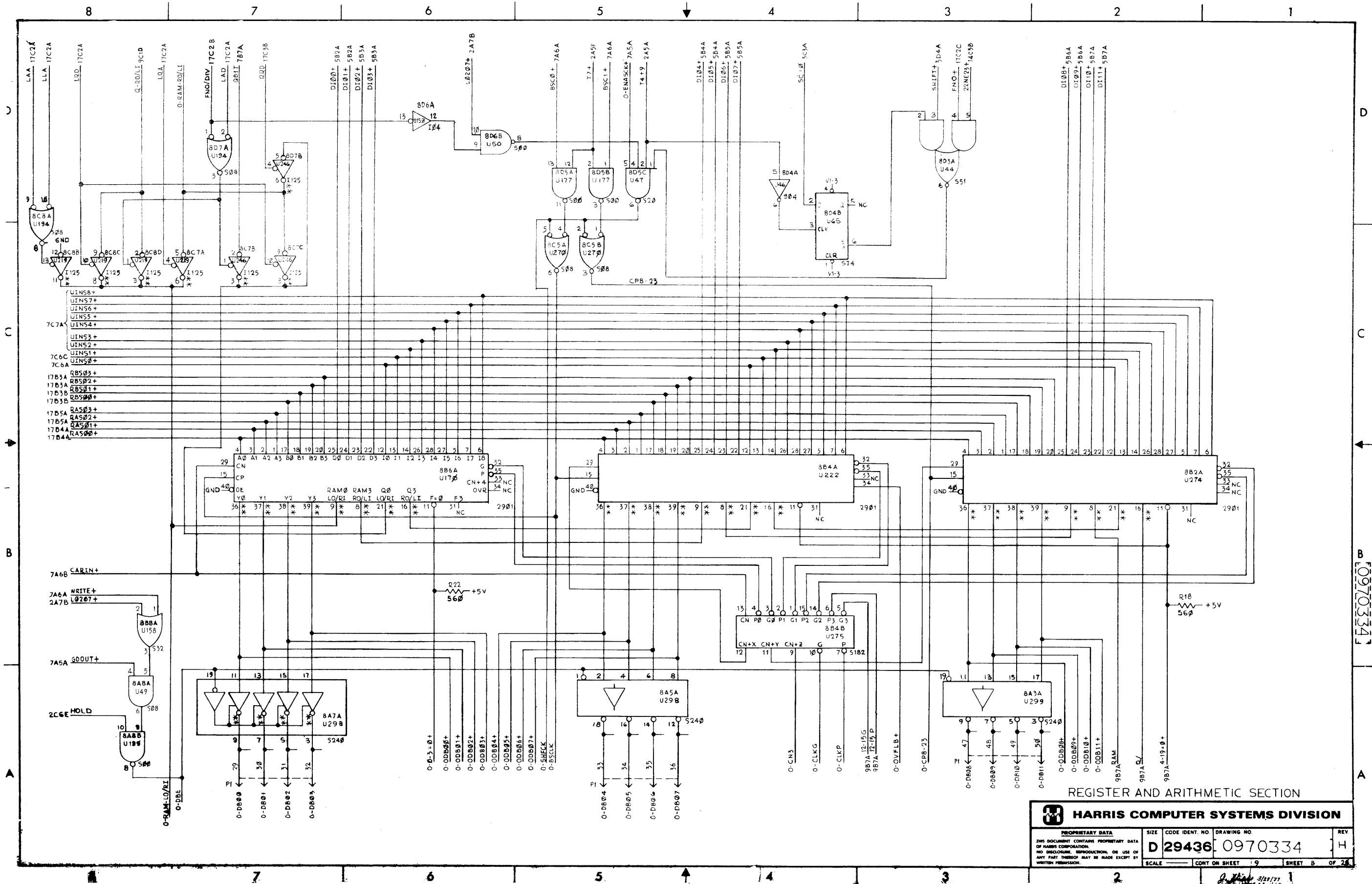
HARRIS COMPUTER SYSTEMS DIVISION

PROPRIETARY DATA

THIS DOCUMENT CONTAINS PROPRIETARY DATA OF HARRIS CORPORATION. NO DISCLOSURE, REPRODUCTION, OR USE OF ANY PART THEREOF MAY BE MADE EXCEPT BY WRITTEN PERMISSION.

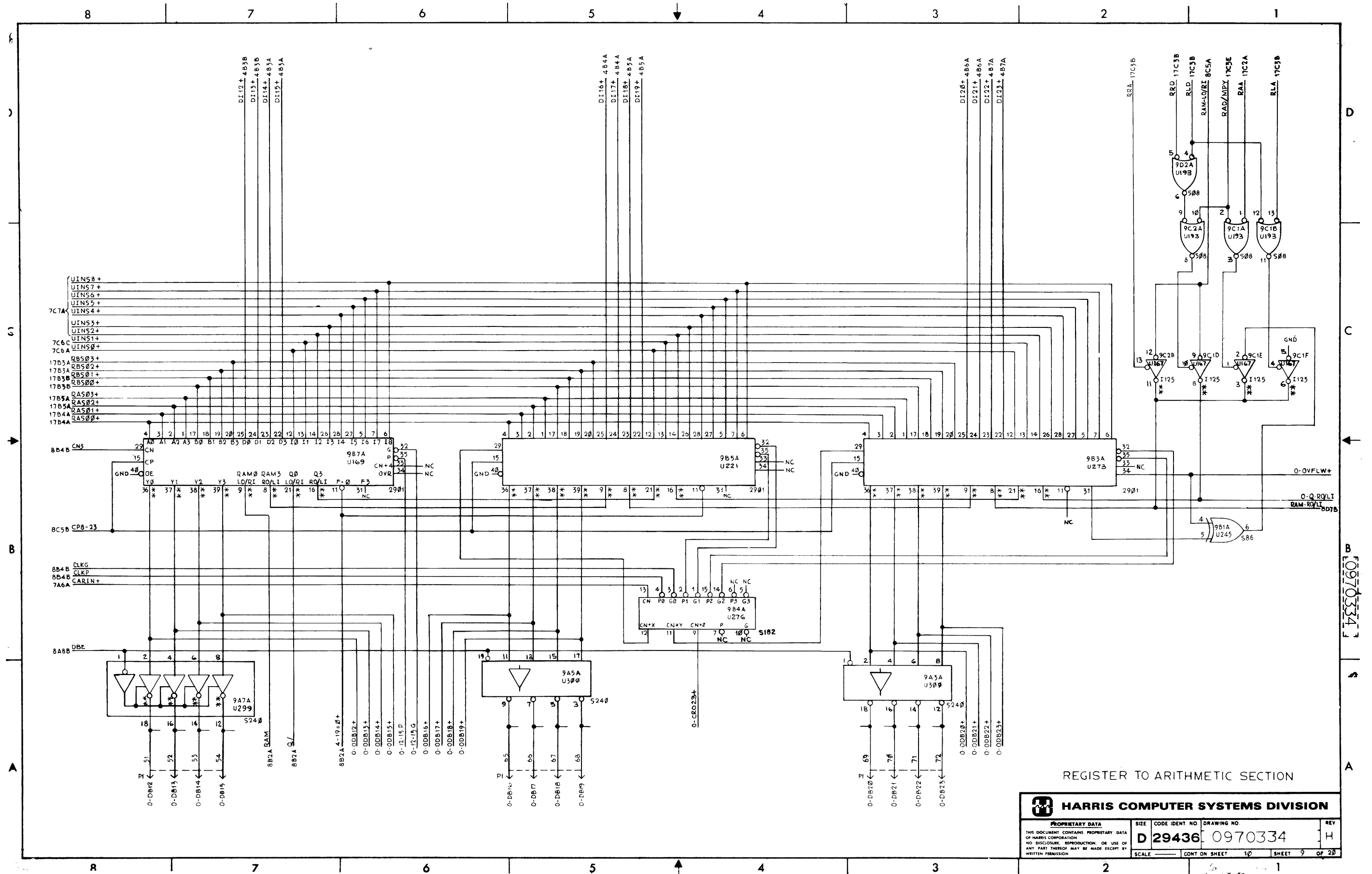
SIZE	CODE IDENT NO	DRAWING NO.	REV.
D	29436	0970334	H

SCALE: CONT ON SHEET 5 SHEET 7 OF 8



REGISTER AND ARITHMETIC SECTION

HARRIS COMPUTER SYSTEMS DIVISION			
PROPRIETARY DATA THIS DOCUMENT CONTAINS PROPRIETARY DATA OF HARRIS CORPORATION. NO DISCLOSURE, REPRODUCTION, OR USE OF ANY PART THEREOF MAY BE MADE EXCEPT BY WRITTEN PERMISSION.			
SIZE	CODE IDENT. NO.	DRAWING NO.	REV.
D 29436	0970334		H
SCALE	CONT. ON SHEET	SHEET NO.	OF 24
	9	8	

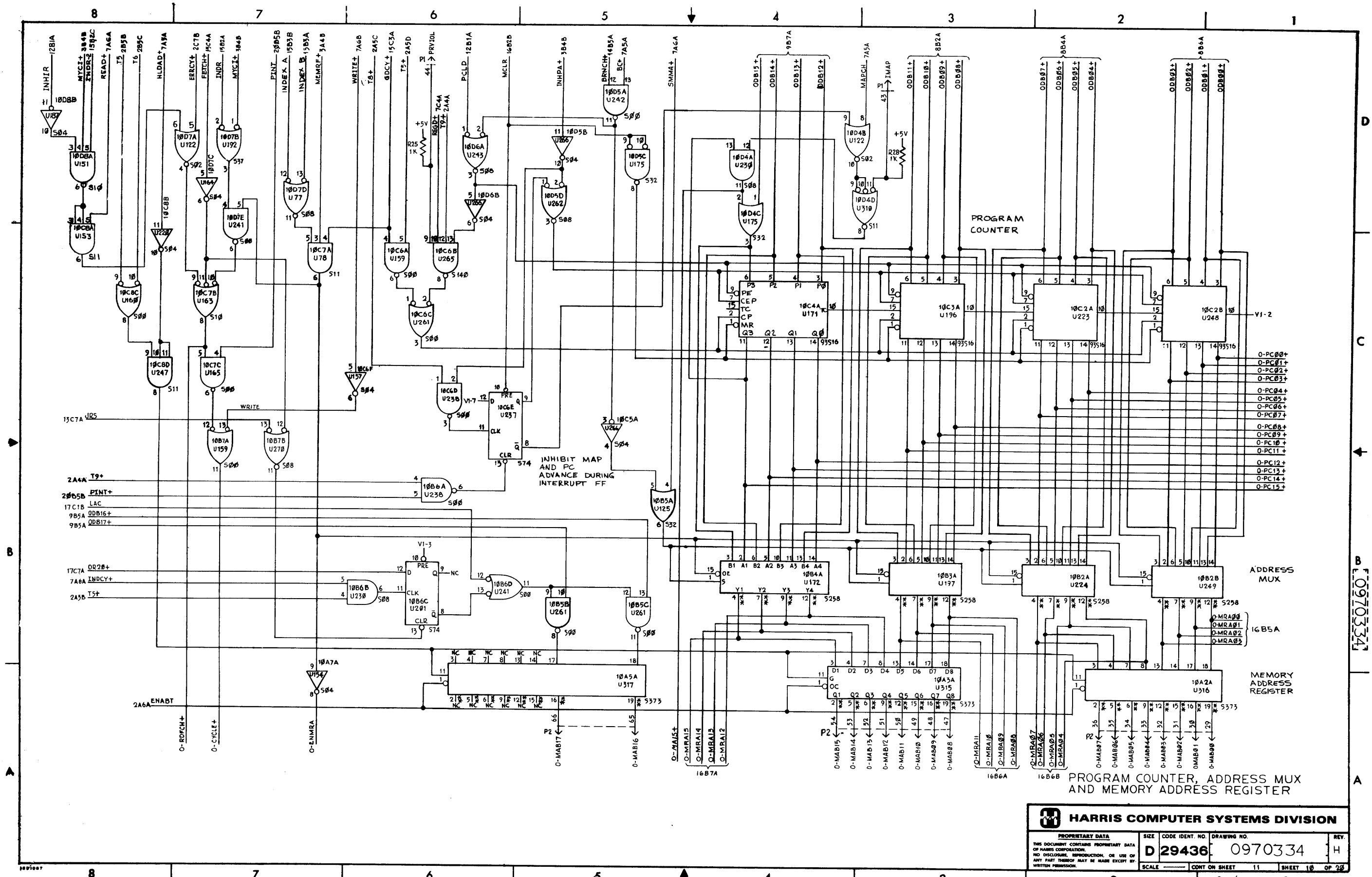


REGISTER TO ARITHMETIC SECTION

HARRIS COMPUTER SYSTEMS DIVISION

PROPRIETARY DATA
THIS DOCUMENT CONTAINS PROPRIETARY DATA OF HARRIS CORPORATION. NO DISCLOSURE, REPRODUCTION, OR USE OF ANY PART THEREOF MAY BE MADE EXCEPT BY WRITTEN PERMISSION.

SIZE	CODE IDENT NO	DRAWING NO	REV
D 29436	0970334		H
SCALE	CONT ON SHEET	10	SHEET 9 OF 20



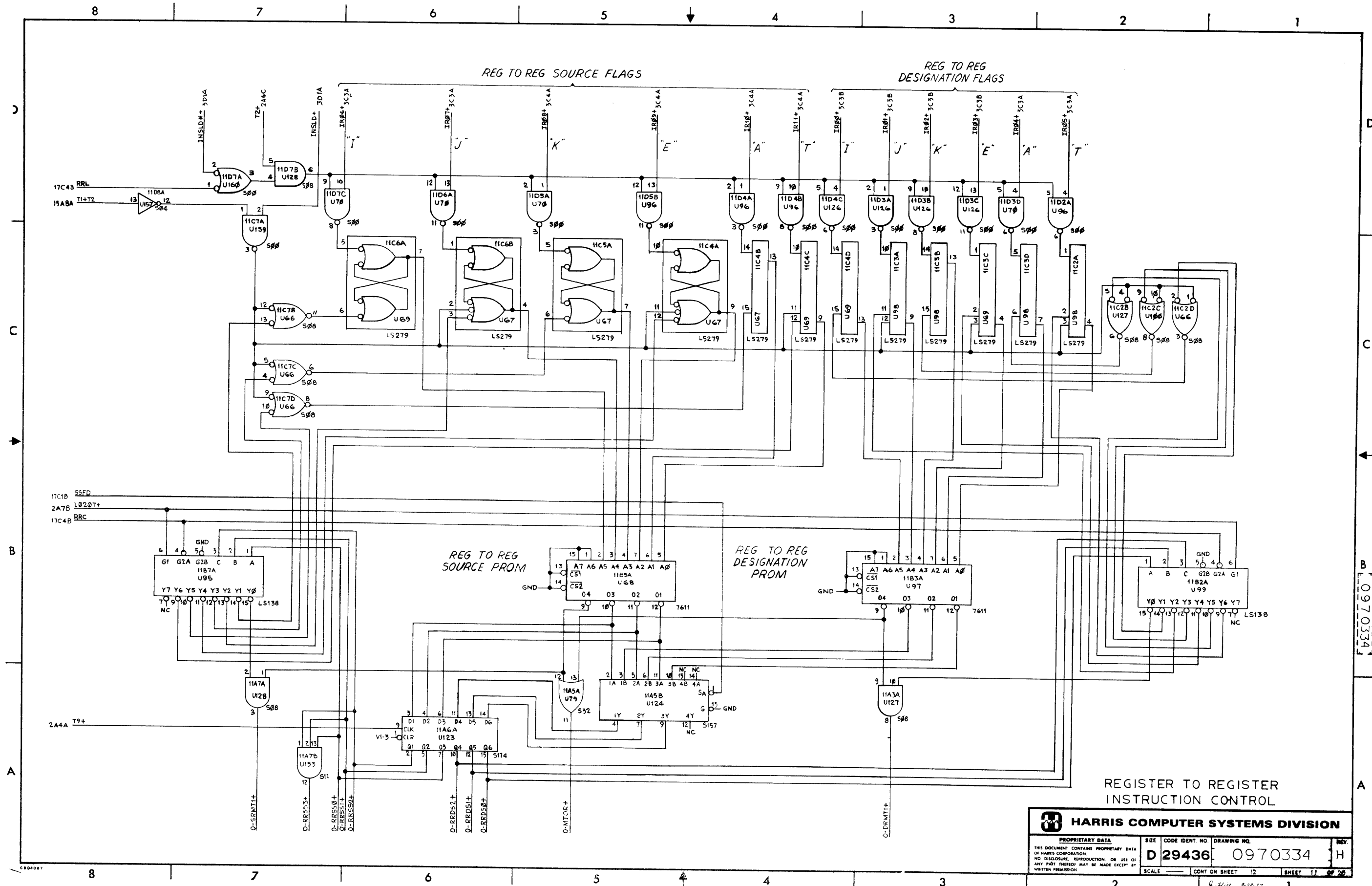
HARRIS COMPUTER SYSTEMS DIVISION

PROPRIETARY DATA
 THIS DOCUMENT CONTAINS PROPRIETARY DATA OF HARRIS CORPORATION. NO DISCLOSURE, REPRODUCTION, OR USE OF ANY PART THEREOF MAY BE MADE EXCEPT BY WRITTEN PERMISSION.

SIZE CODE IDENT. NO. DRAWING NO. REV.
D 29436 0970334 H

SCALE CONT ON SHEET 11 SHEET 10 OF 20

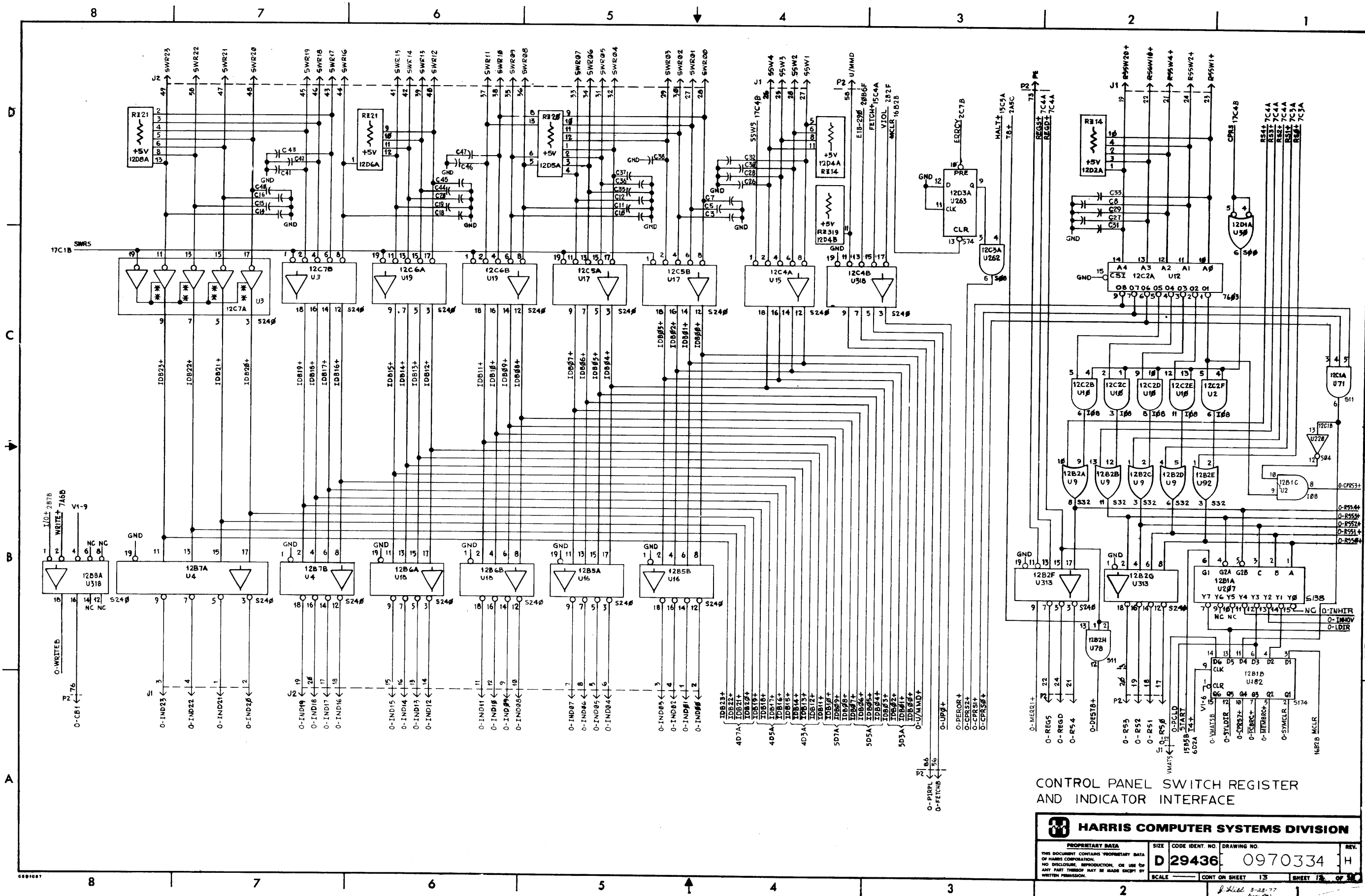
J. Hill 3/28/77



HARRIS COMPUTER SYSTEMS DIVISION

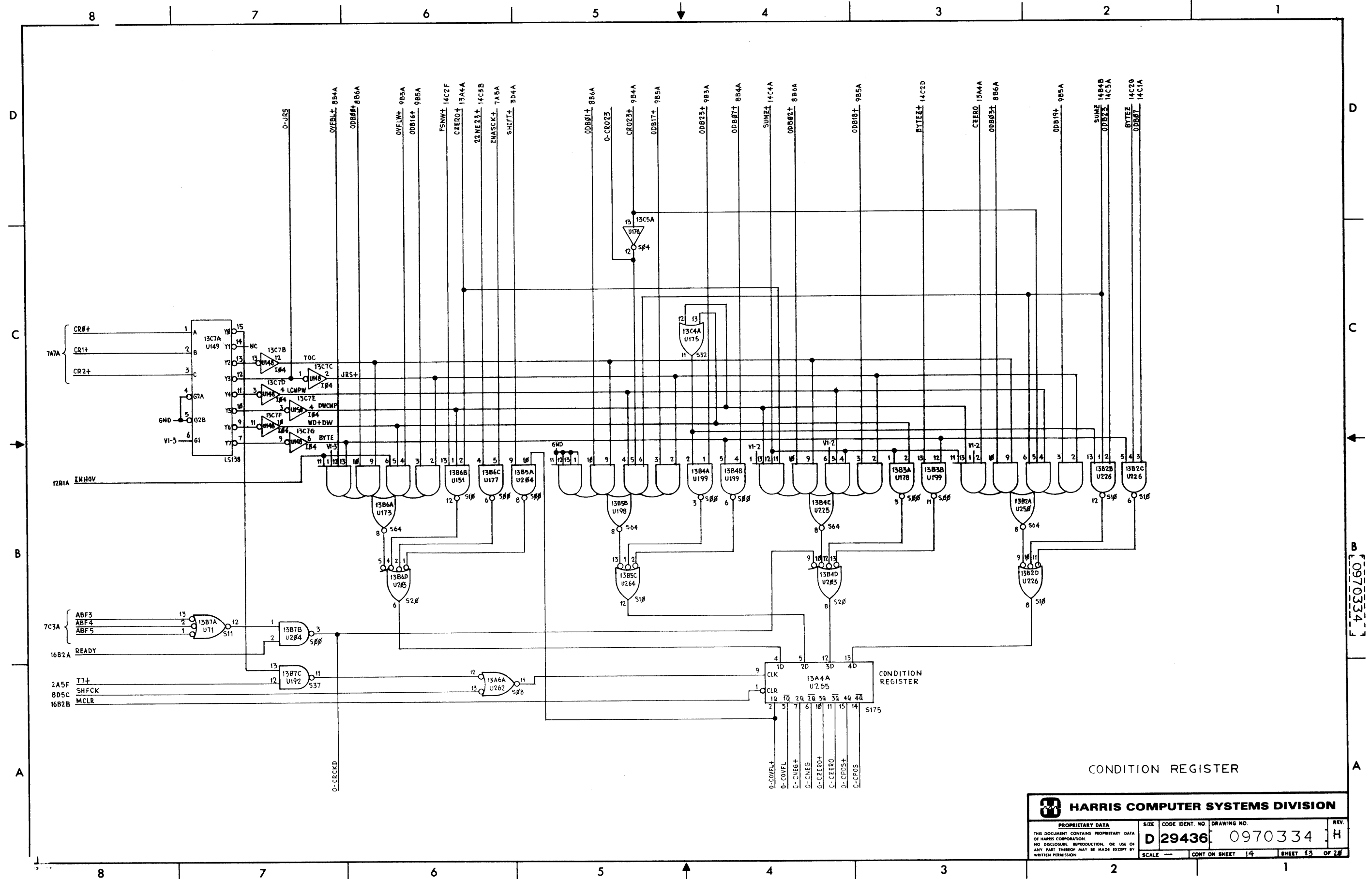
PROPRIETARY DATA	SIZE	CODE IDENT NO	DRAWING NO.	REV
THIS DOCUMENT CONTAINS PROPRIETARY DATA OF HARRIS CORPORATION. NO DISCLOSURE, REPRODUCTION, OR USE OF ANY PART THEREOF MAY BE MADE EXCEPT BY WRITTEN PERMISSION.	D 29436	0970334	H	
SCALE	CONT ON SHEET	12	SHEET	17

9 JUL 3 2017



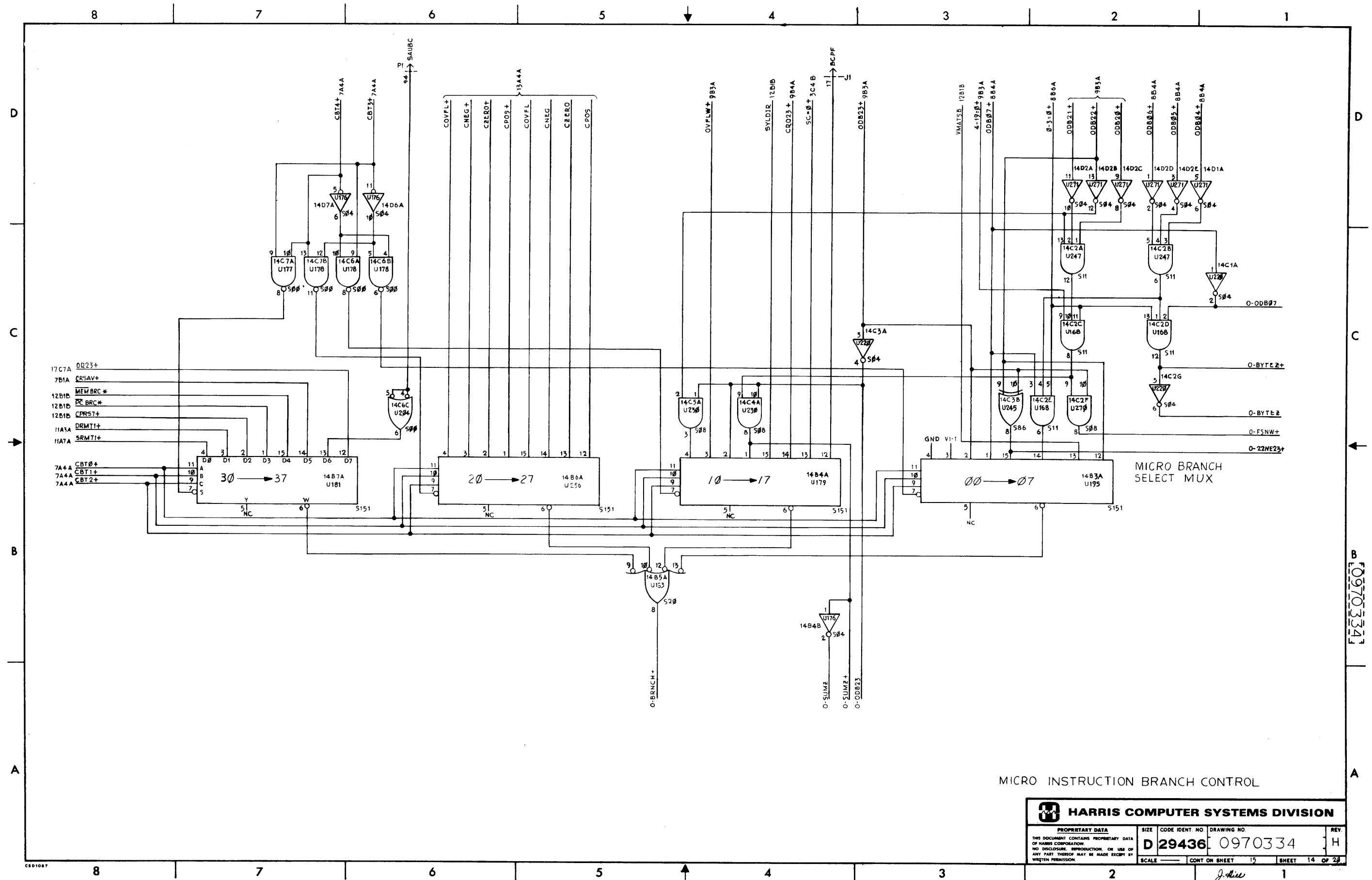
CONTROL PANEL SWITCH REGISTER AND INDICATOR INTERFACE

HARRIS COMPUTER SYSTEMS DIVISION		
PROPRIETARY DATA	SIZE	CODE IDENT. NO. DRAWING NO.
NO DISCLOSURE, REPRODUCTION, OR USE OF ANY PART THEREOF MAY BE MADE WITHOUT WRITTEN PERMISSION.	D 29436	0970334
SCALE	CONT ON SHEET 13	SHEET 13 OF 20

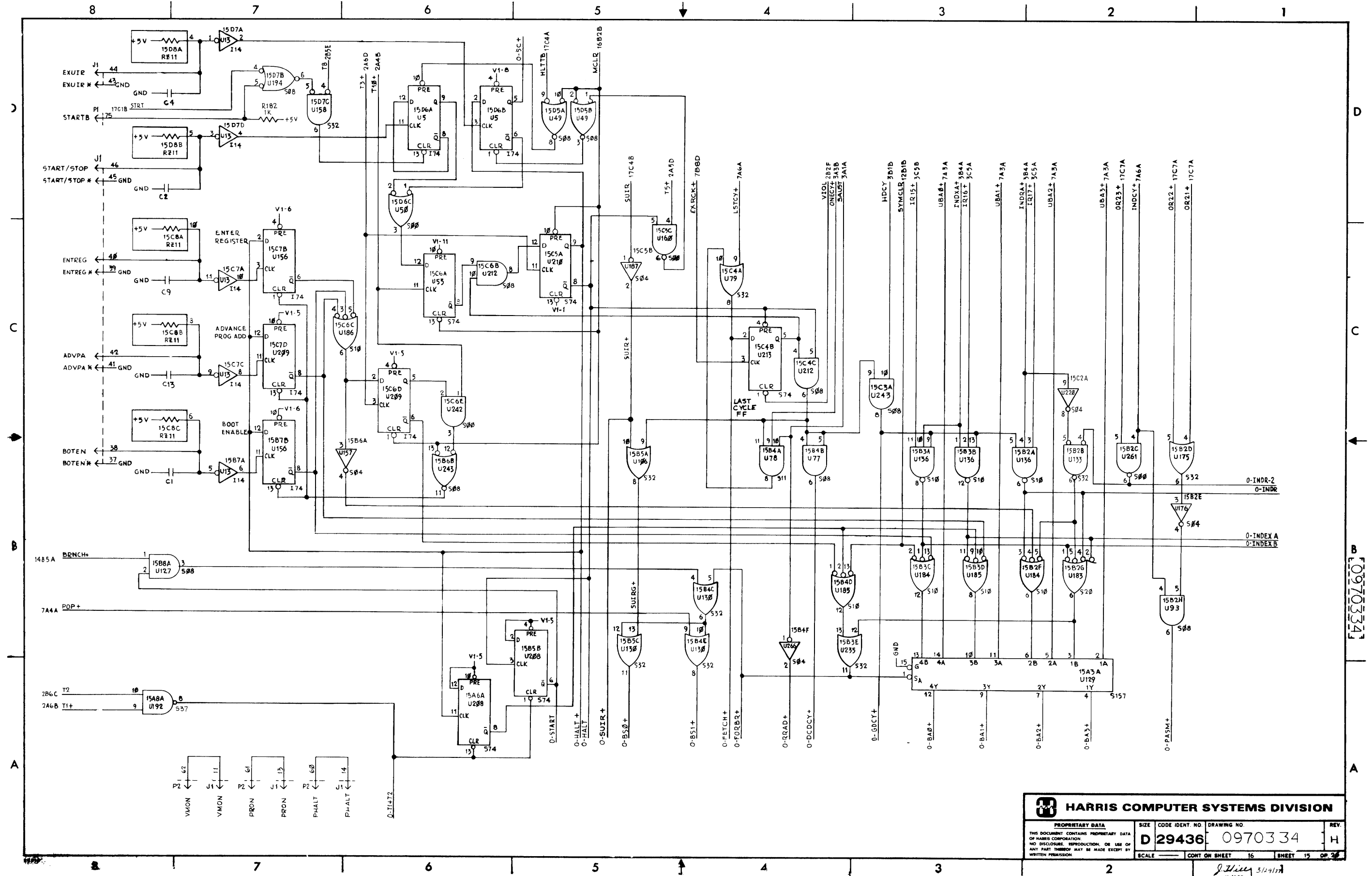


HARRIS COMPUTER SYSTEMS DIVISION

PROPRIETARY DATA	SIZE	CODE IDENT. NO.	DRAWING NO.	REV.
THIS DOCUMENT CONTAINS PROPRIETARY DATA OF HARRIS CORPORATION. NO DISCLOSURE, REPRODUCTION, OR USE OF ANY PART THEREOF MAY BE MADE EXCEPT BY WRITTEN PERMISSION.	D	29436	0970334	H
SCALE	CONT. ON SHEET	14	SHEET	13 OF 28



HARRIS COMPUTER SYSTEMS DIVISION			
PROPRIETARY DATA THIS DOCUMENT CONTAINS PROPRIETARY DATA OF HARRIS CORPORATION. NO DISCLOSURE, REPRODUCTION, OR USE OF ANY PART THEREOF MAY BE MADE EXCEPT BY WRITTEN PERMISSION.	SIZE D 29436	CODE IDENT. NO. 0970334	DRAWING NO. 0970334
SCALE	CONT ON SHEET 15	SHEET 14	OF 28



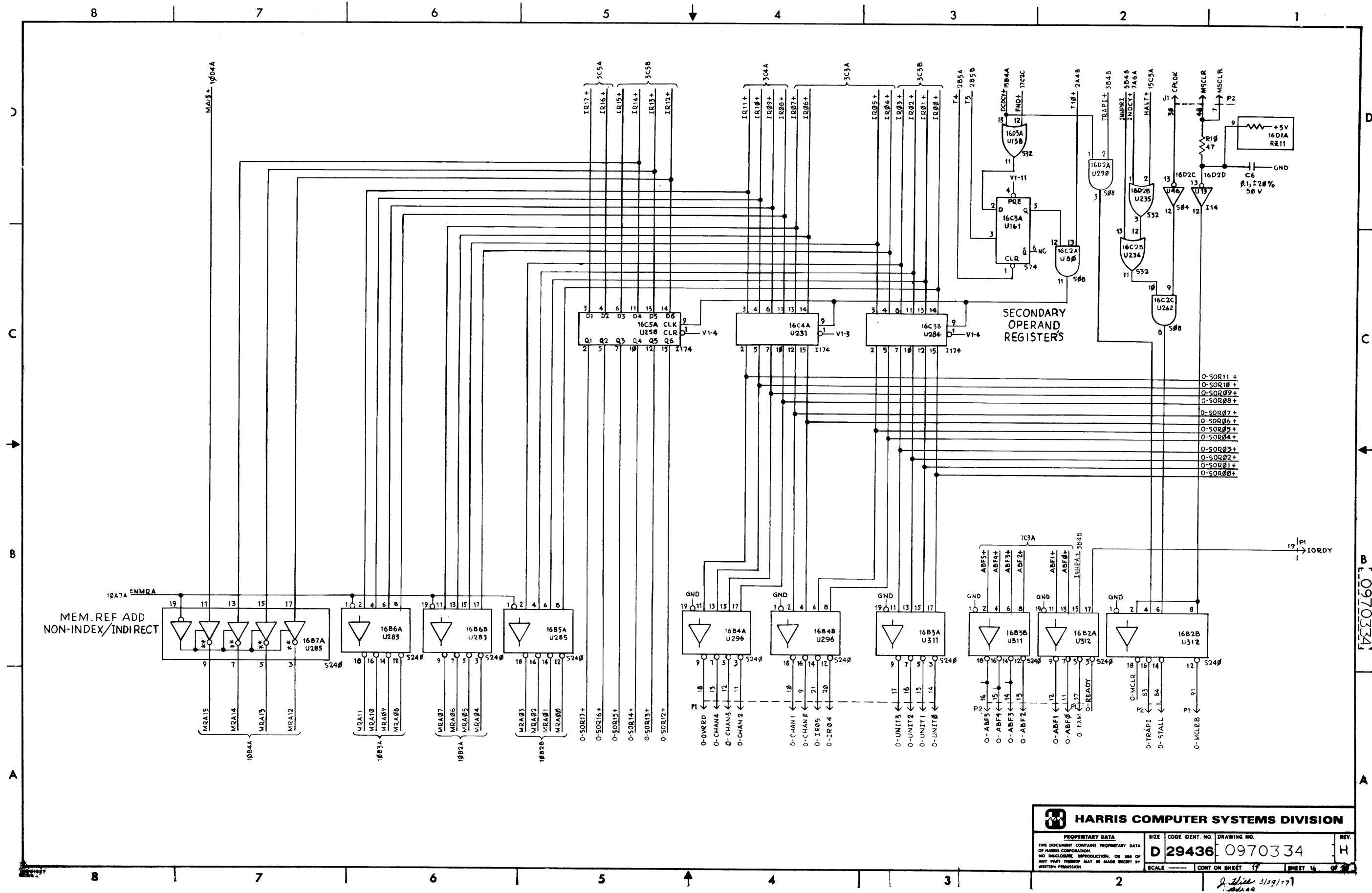
HARRIS COMPUTER SYSTEMS DIVISION

PROPRIETARY DATA
THIS DOCUMENT CONTAINS PROPRIETARY DATA OF HARRIS CORPORATION. NO DISCLOSURE, REPRODUCTION, OR USE OF ANY PART THEREOF MAY BE MADE EXCEPT BY WRITTEN PERMISSION.

SIZE	CODE IDENT. NO.	DRAWING NO.	REV.
D 29436	0970334		H

SCALE: CONT ON SHEET 16 SHEET 15 OF 30

J. Wiley 3/29/78



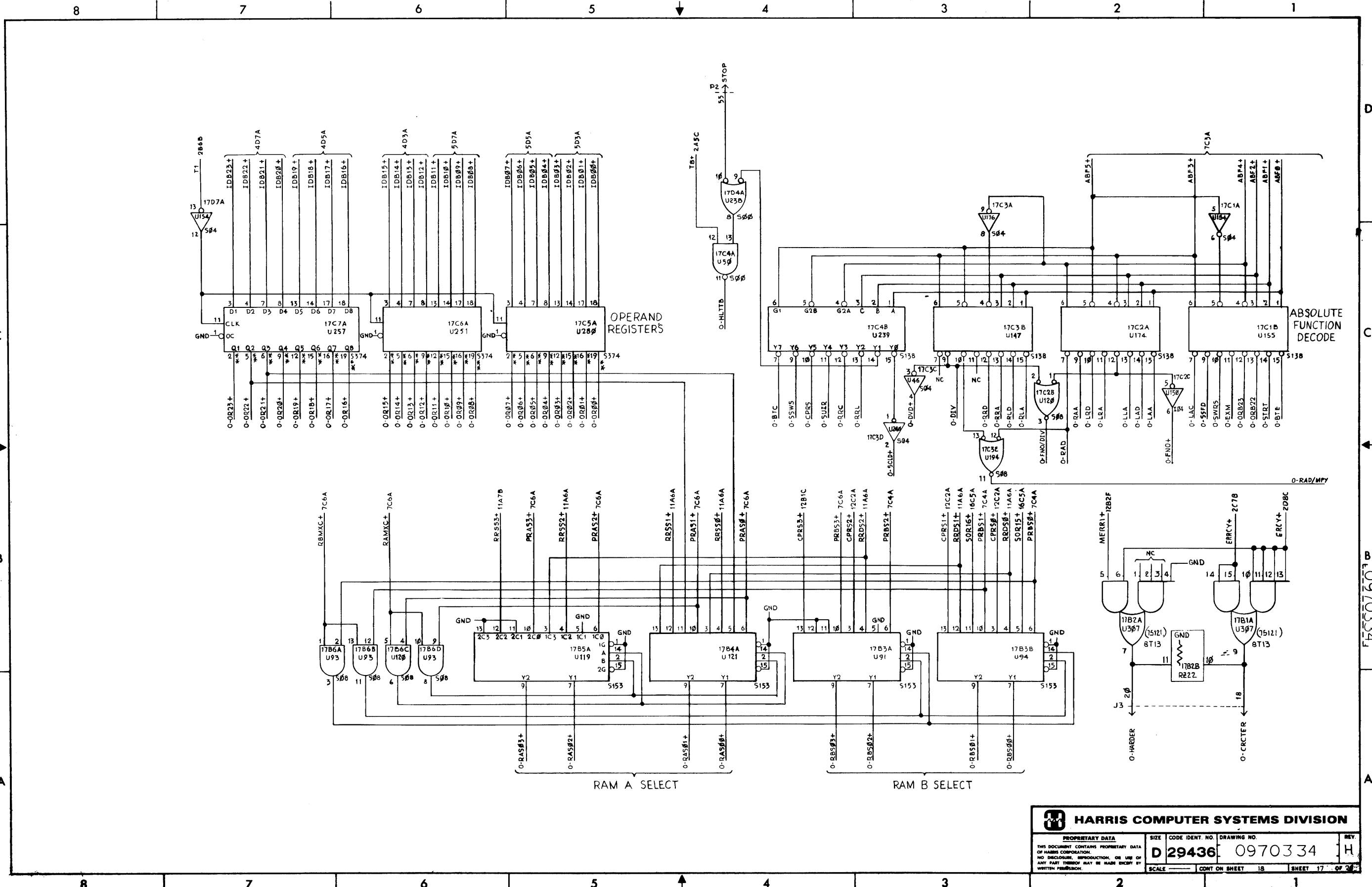
HARRIS COMPUTER SYSTEMS DIVISION

PROPRIETARY DATA
THIS DOCUMENT CONTAINS PROPRIETARY DATA OF HARRIS CORPORATION.
NO DISCLOSURE, REPRODUCTION, OR USE OF ANY PART THEREOF MAY BE MADE WITHOUT WRITTEN PERMISSION.

SIZE CODE IDENT. NO. DRAWING NO. REV.
D 29436 0970334 H

SCALE CONT ON SHEET 17 SHEET 16 OF 20

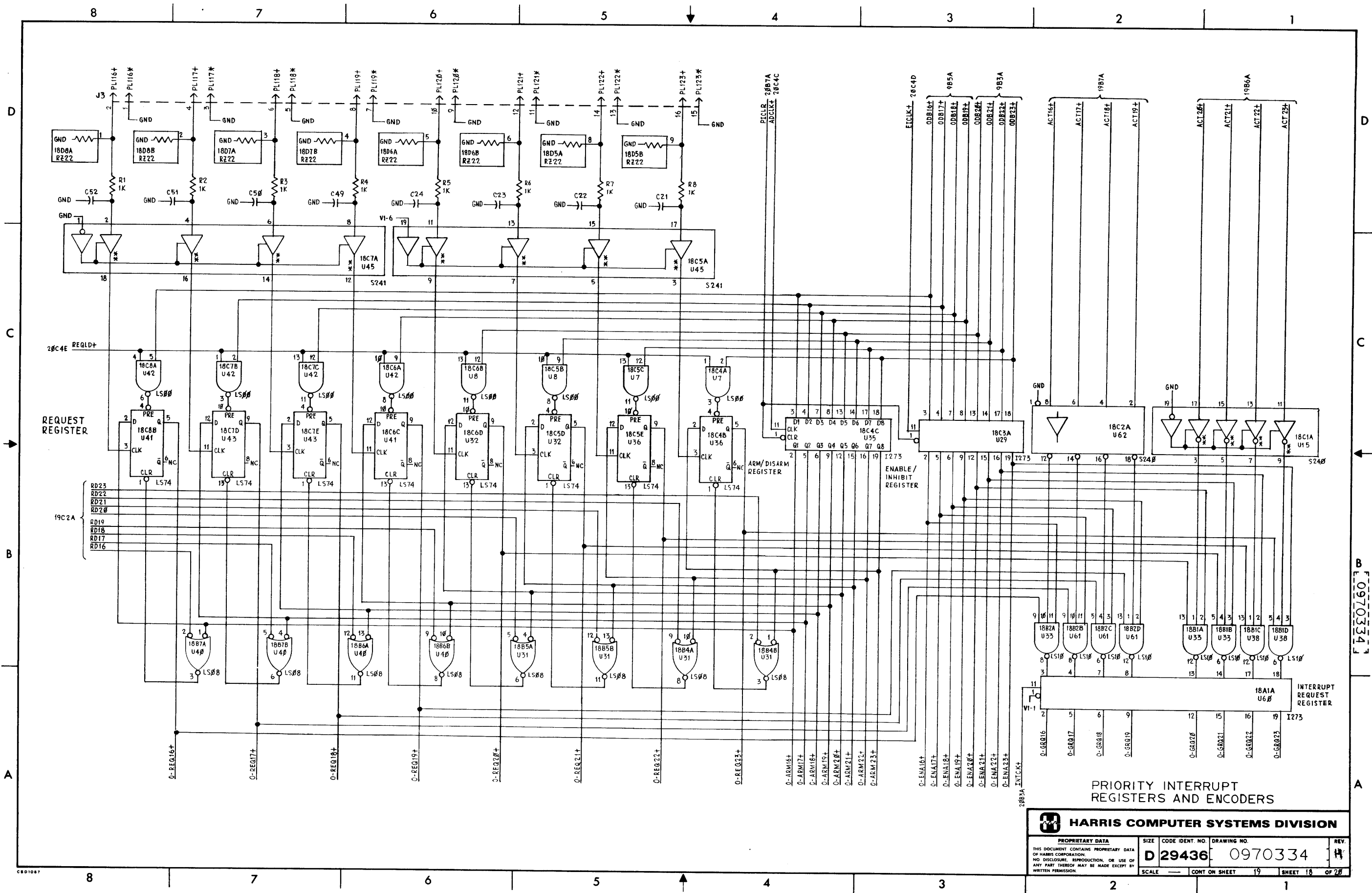
3/19/77
ADA 42



HARRIS COMPUTER SYSTEMS DIVISION

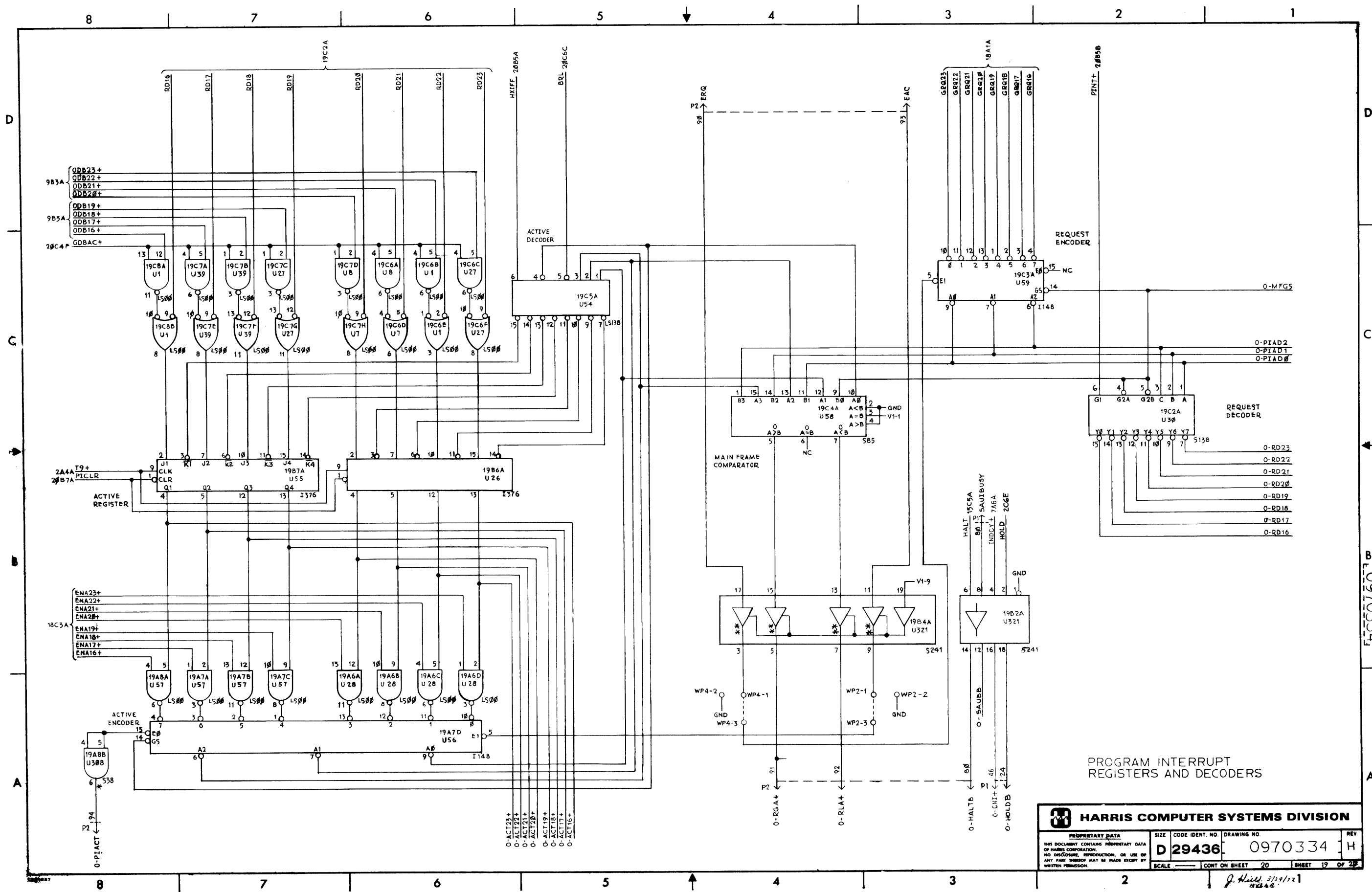
PROPRIETARY DATA
THIS DOCUMENT CONTAINS PROPRIETARY DATA OF HARRIS CORPORATION. NO REPRODUCTION, REPRODUCTION, OR USE OF ANY PART THEREOF MAY BE MADE EXCEPT BY WRITTEN PERMISSION.

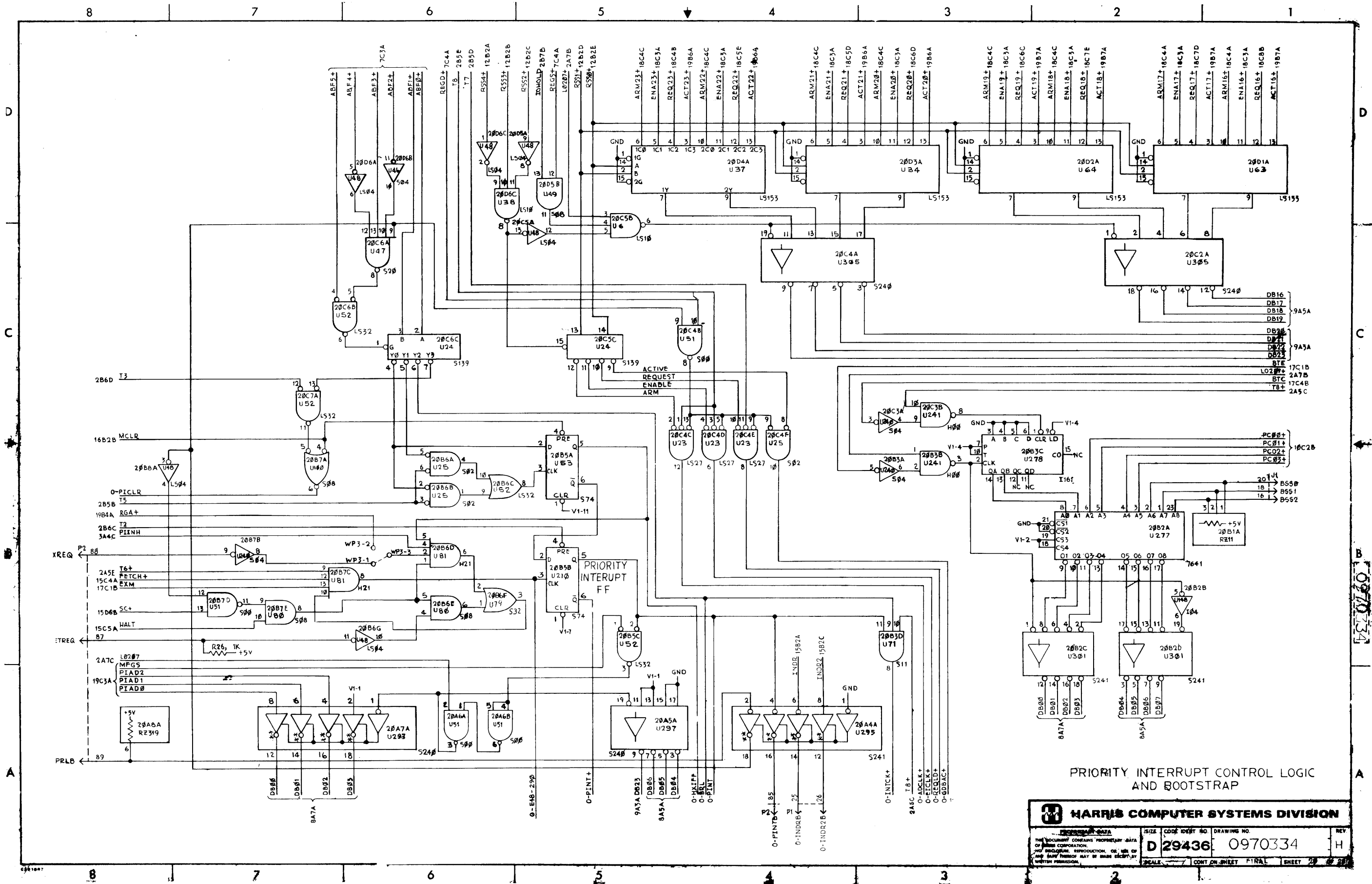
SIZE	CODE IDENT. NO.	DRAWING NO.	REV.
D	29436	0970334	H
SCALE		CONT ON SHEET 18	SHEET 17 OF 34



PRIORITY INTERRUPT
REGISTERS AND ENCODERS

HARRIS COMPUTER SYSTEMS DIVISION			
PROPRIETARY DATA THIS DOCUMENT CONTAINS PROPRIETARY DATA OF HARRIS CORPORATION. NO DISCLOSURE, REPRODUCTION, OR USE OF ANY PART THEREOF MAY BE MADE EXCEPT BY WRITTEN PERMISSION.			
SIZE	CODE IDENT. NO.	DRAWING NO.	REV.
D 29436	0970334		1
SCALE	CONT ON SHEET	19	SHEET 18 OF 28





HARRIS COMPUTER SYSTEMS DIVISION

PROPERTY DATA SIZE CODE IDENT NO DRAWING NO REV
 THE DOCUMENT CONTAINS PROPRIETARY DATA OF HARRIS CORPORATION. REPRODUCTION OR USE OF THIS DATA WITHOUT WRITTEN PERMISSION IS STRICTLY PROHIBITED.
 D 29436 0970334 H

SCALE CONT ON SHEET FINAL SHEET 20

SECTION III
CABLE DRAWINGS

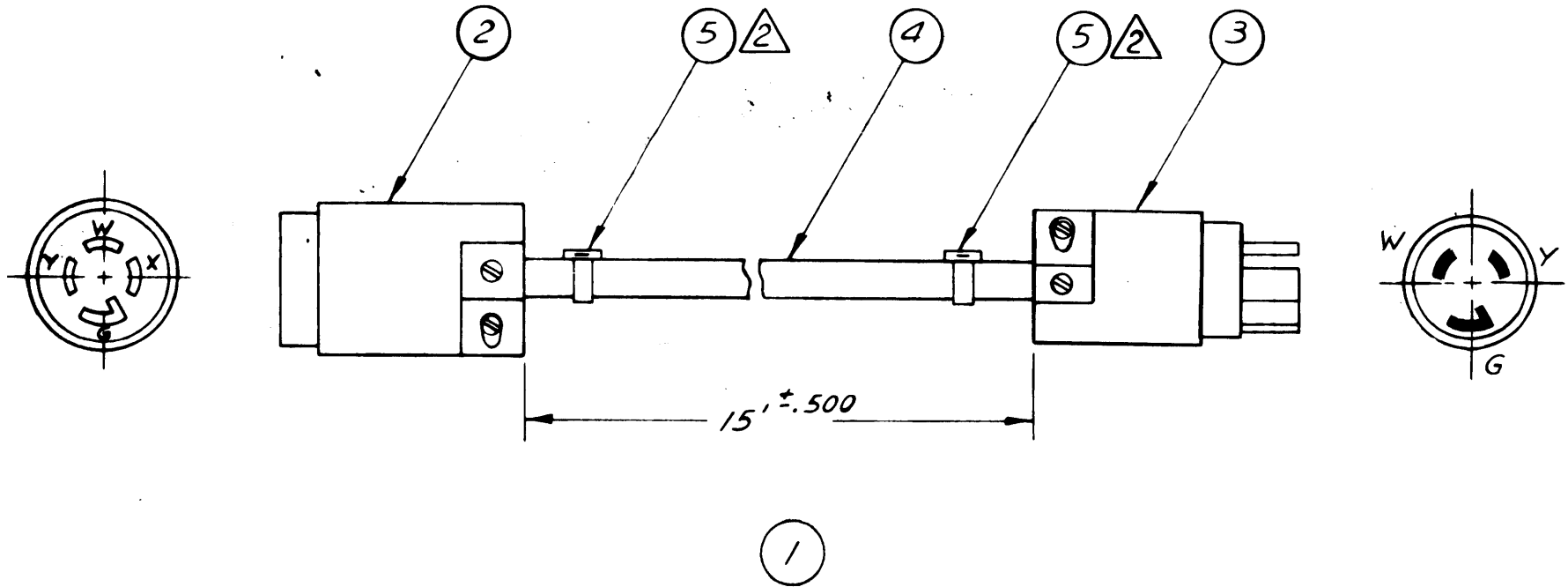
3-1 CABLE DRAWING INDEX

The following drawings are included in this section. Cable assemblies associated with specific I/O channels are shown in the Technical Manuals covering the various I/O channel options.

Drawing Number	Title/Description	Drawing Sheets / Revision	Manual Revision	Page Number
1830022	Cable Assembly; Line Cord (3 wire)	1 -	101	3-3
1830023	Cable Assembly; Line Cord (4 wire)	1 A	103	3-4
1830025	Cable Assembly; Power Fail-Signals	1 F	103	3-5
1830026	Cable Assembly; Power and Sense Out	1 -	101	3-6
1830027	Cable Assembly; Power Fail-Clock	1 F	102	3-7
1830036	Cable Assembly; Virtual Memory to Option	1 A	102	3-8
1830107	Cable Assembly, Power Fail Board	1 C	103	3-9
1850013	Cable Assembly; Fan, AC Power	1 A	101	3-10
1850023	Cable Assembly; 4 Fan, AC Power	1 A	102	3-11
1850038	Cable Assembly, I/O Interface to I/O Port	1 A	102	3-12
1870016	Cable Assembly; CPU 1 to Programmers Panel (18 pos.)	2 A	102	3-13
1870019	Cable Assembly; CPU 1 to Programmers Panel (10 Pos.)	2 A	102	3-15
1870020	Cable Assembly; Remote SAU to Interface	2 C	102	3-17
1870024	Cable Assembly; Turnkey Flat	1 -	102	3-19

WIRE CHART			
WIRE No	FROM	TO	COLOR
1	G	G	GRN
2	W	W	WHT
3	Y	Y	BLK
4			

REVISIONS			
LTR	DESCRIPTION	DATE	APPROVED



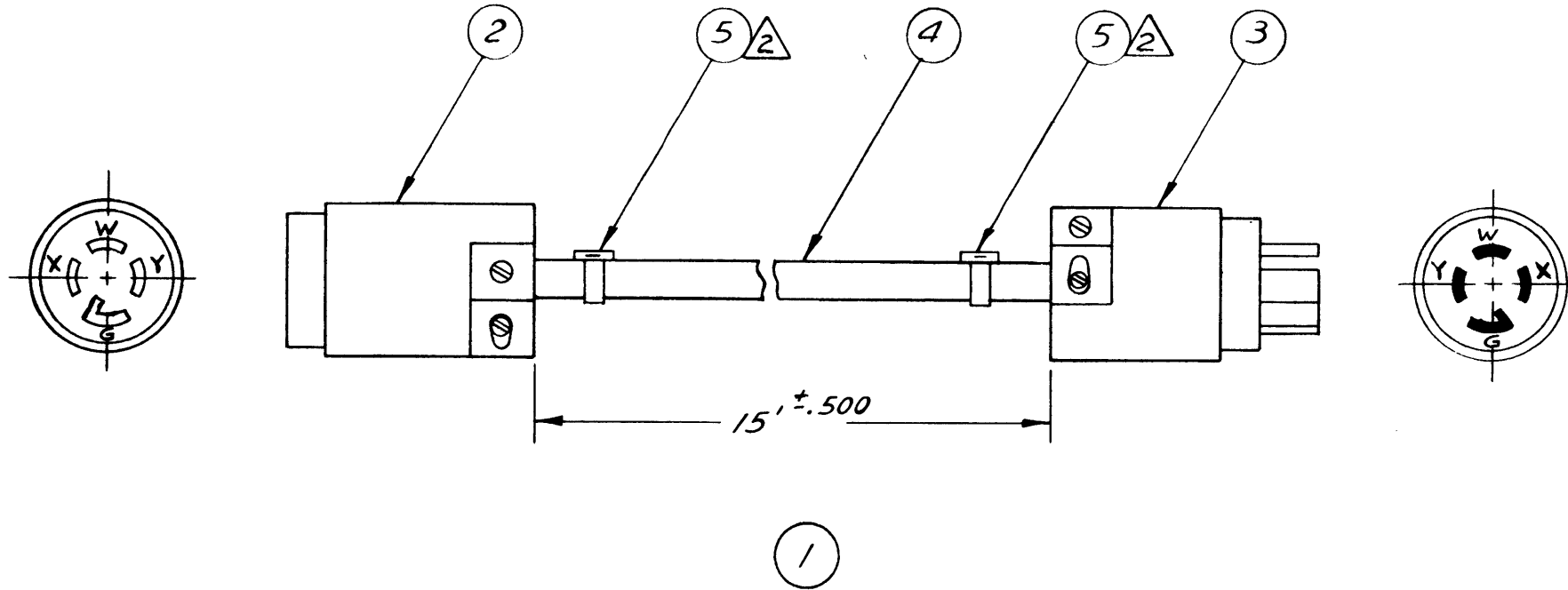
NOTES
 1 WORKMANSHIP TO BE PER HARRIS SPEC 9002
 2 MARK HARRIS CSD ASSY NO. 1830022 APPLICABLE DASH NO. AND REVISION PER HARRIS SPEC 9004-5 BLACK.

2	6				
15 FT	5		2810202-007		CABLE TIE IDENT
1	4		6010109-014		ST-TYPE CABLE, 1/3 STRANDED
1	3		2125001-006		PLUG, TWIST-LOCK
1	2		2125004-002		RECEPTACLE, TWIST-LOCK
X	1		THIS DWG		CABLE ASSY, LINE CORD(3 WIRE) 30 A
901	ITEM QTY	CODE No	PART No.	HARRIS REF No.	DESCRIPTION

ALL DIMENSIONS ARE IN INCHES UNLESS OTHERWISE SPECIFIED			CONTRACT NO.		HARRIS COMPUTER SYSTEMS DIVISION
TOLERANCES X ± — ANGLE — XX ± — HOLES — XXX ± — SURFACE ROUGHNESS —			DRAFTSMAN <i>P. S. 7-8-76</i> CHECKER <i>H. J. 8-17-76</i> PROD. ENGR <i>S. J. 8-21-76</i> ENGINEER <i>J. P. 8-23-76</i> PROJ ENGR <i>S. P. 8-22-76</i>		
DEV NO. 042002.			CABLE ASSEMBLY LINE CORD (3 WIRE) 125V, 30A		
MATERIAL _____			PROPRIETARY DATA THIS DOCUMENT CONTAINS PROPRIETARY DATA OF HARRIS CORPORATION. NO DISCLOSURE, REPRODUCTION, OR USE OF ANY PART THEREOF MAY BE MADE EXCEPT BY WRITTEN PERMISSION.		SIZE B
FINISH _____			CODE IDENT. NO. 29436		DRAWING NO. 1830022
APPLICATION			SCALE NONE		CONT ON SHEET 1 OF 1

WIRE CHART			
WIRE No	FROM	TO	COLOR
1	G	G	GRN
2	W	W	WHT
3	X	X	RED
4	Y	Y	BLK

REVISIONS			
LTR	DESCRIPTION	DATE	APPROVED
A	ECPI077C562-3 REV O	11/1/77	B. Noel



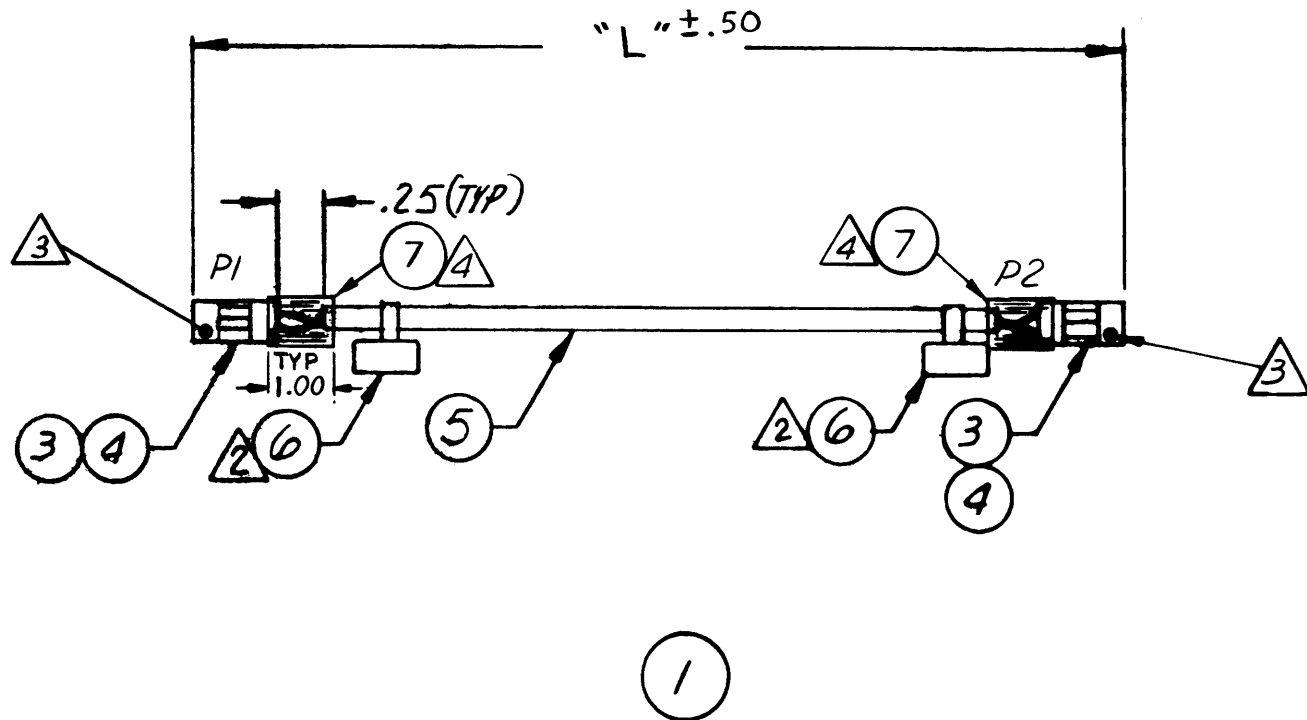
NOTES

1 WORKMANSHIP TO BE PER HARRIS SPEC 9002

2 MARK HARRIS CSD ASSY NO. 1830023 APPLICABLE DASH NO. AND REVISION PER HARRIS SPEC 9004-5 BLACK.

QTY	ITEM No	CODE IDENT	PART No.	HARRIS REF No.	DESCRIPTION
2	5		2810202-007		CABLE TIE IDENT
15 FT	4		6010109-015		ST-TYPE CABLE, 1/4 STRANDED
1	3		2125004-001		PLUG, TWIST-LOCK
1	2		2125004-002		RECEPTACLE, TWIST-LOCK
X	1		THIS DWG		CABLE ASSY, LINE CORD (4 WIRE) 30 A

ALL DIMENSIONS ARE IN INCHES UNLESS OTHERWISE SPECIFIED			CONTRACT NO.		 HARRIS COMPUTER SYSTEMS DIVISION
TOLERANCES			DRAFTSMAN <i>Jim G. 7-8-76</i> CHECKER <i>H.K. 8-17-76</i> PROD ENGR <i>R.H. 8-12-76</i> ENGINEER <i>R.H. 8-12-76</i> PROJ ENGR <i>R.H. 8-22-76</i>		
X ± — ANGLE ± — XX ± — HOLES — XXX ± — SURFACE ROUGHNESS —			DEV NO 042002		CABLE ASSEMBLY LINE CORD (4 WIRE) 125/250V, 30A
901 1270043 SLASH 6 YM 901 1270140 SLASH 6 901 1270139 SLASH 6			MATERIAL _____		
DASH NO. NEXT ASSY USED ON			FINISH _____		SIZE B CODE IDENT. NO. 29436 DRAWING NO. 1830023 REV. A
APPLICATION			PROPRIETARY DATA THIS DOCUMENT CONTAINS PROPRIETARY DATA OF HARRIS CORPORATION. NO DISCLOSURE, REPRODUCTION, OR USE OF ANY PART THEREOF MAY BE MADE EXCEPT BY WRITTEN PERMISSION.		SCALE NONE CONT ON SHEET SHEET 1 OF 1



REVISIONS			
LTR	DESCRIPTION	DATE	APPROVED
A	ECP1276C518-4 REV.A ADDED DASH CHART & NOTES 5 & 6	3-11-77	H
B	ECP 0177C060-2 REV. 0, ITEM 7 WAS -004, QTY 1; CHANGED NOTE 3 & 4 ADDED DASH NO'S. -903 THRU-907 (A & B RELEASED SIMULTANEOUSLY)	3-15-77	Ehrensam
C	ECPO377C170-5 REV 0, CHG DWG TITLE & ITEM 1. 3-23-77	4-5-77	Helen Saitley
D	ADDED - 908 & -909	4-15-77	H. J. Holding
E	ECPO677C338-2 REV 0, CHG. DIM WAS. 75	6-20-77	R. J. Holding
F	ADDED GROUP 910	8-11-77	R. J. Holding

DASH CHART			
DASH No.	"L" ±.50 INCHES	DASH No.	"L" ±.50 INCHES
901	28.0	908	64.0
902	32.0	909	109.0
903	60.0	910	75.0
904	34.0		
905	36.0		
906	80.0		
907	19.0		

3 1/2"	7	3710007-006		SHRINKABLE TUBING 1/4" DIA.
2	6	2810202-007		CABLE TIE, IDENT
6	5	6010118-001		WIRE, TWISTED PAIR, 28 AWG, PVC JACKET
2	4	2110001-002		CONNECTOR (2 POS)
4	3	2110001-301		CONTACT
	2	2110006-108		CONTACT, TWIN LEAF
X	1	THIS DWG		CABLE ASSY, POWER FAIL - SIGNALS
QTY	ITEM No.	PART No.	HARRIS REF No.	DESCRIPTION

NOTES...

- WORKMANSHIP TO BE PER HARRIS SPEC 9002
- MARK ASSY No 1830025 WITH APPLICABLE DASH No AND REVISION PER HARRIS SPEC 9004-5 BLK.
- MARK CONNECTORS P1 & P2 WITH WHITE DOT TO INDICATE RED WIRE POSITION
- MARK ITEM 7 P1 & P2 PER HARRIS SPEC 9004-5, BLACK.
- QUANTITIES APPLICABLE TO ALL DASH No.s.
- SEE DASH CHART FOR CABLE LENGTH.

909	1270176	SLASH 6
908	1270176	SLASH 6
909	1270141	SLASH 6
908	1270141	SLASH 6
902	1270140	SLASH 6
902	1270139	SLASH 6
902	1270140	SLASH 6
901	1270139	SLASH 6
DASH No.	NEXT ASSY	USED ON
APPLICATION		

ALL DIMENSIONS ARE IN INCHES UNLESS OTHERWISE SPECIFIED

TOLERANCES
 X 1 - ANGLE
 XX 1 - HOLES
 XXX 1 - SURFACE ROUGHNESS

DEV NO. 42002

MATERIAL _____

FINISH _____

CONTRACT NO. _____

DRAFTSMAN _____
 CHECKER _____
 PROD ENGR _____
 ENGINEER _____
 PROJ ENGR _____

PROPRIETARY DATA
 THIS DOCUMENT CONTAINS PROPRIETARY DATA OF HARRIS CORPORATION. NO REPRODUCTION, REPRODUCTION, OR USE OF ANY PART THEREOF MAY BE MADE WITHOUT THE WRITTEN PERMISSION.

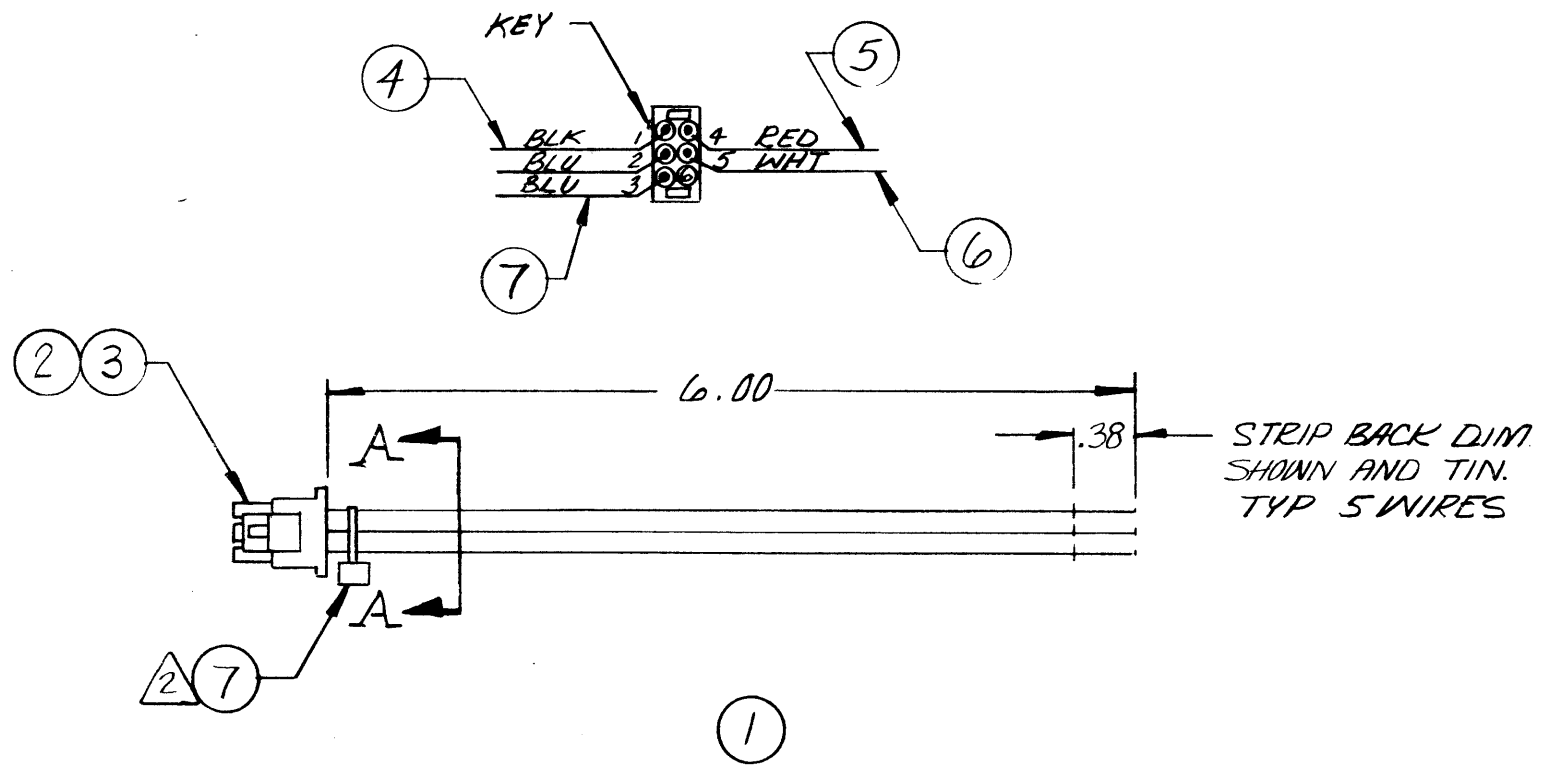
HARRIS COMPUTER SYSTEMS DIVISION

CABLE ASSEMBLY
POWER FAIL - SIGNALS

SIZE **B** CODE IDENT. NO. **29436** DRAWING NO. **1830025** REV. **F**

SCALE **NONE** CONT ON SHEET SHEET **1** OF **1**

REVISIONS			
LTR	DESCRIPTION	DATE	APPROVED

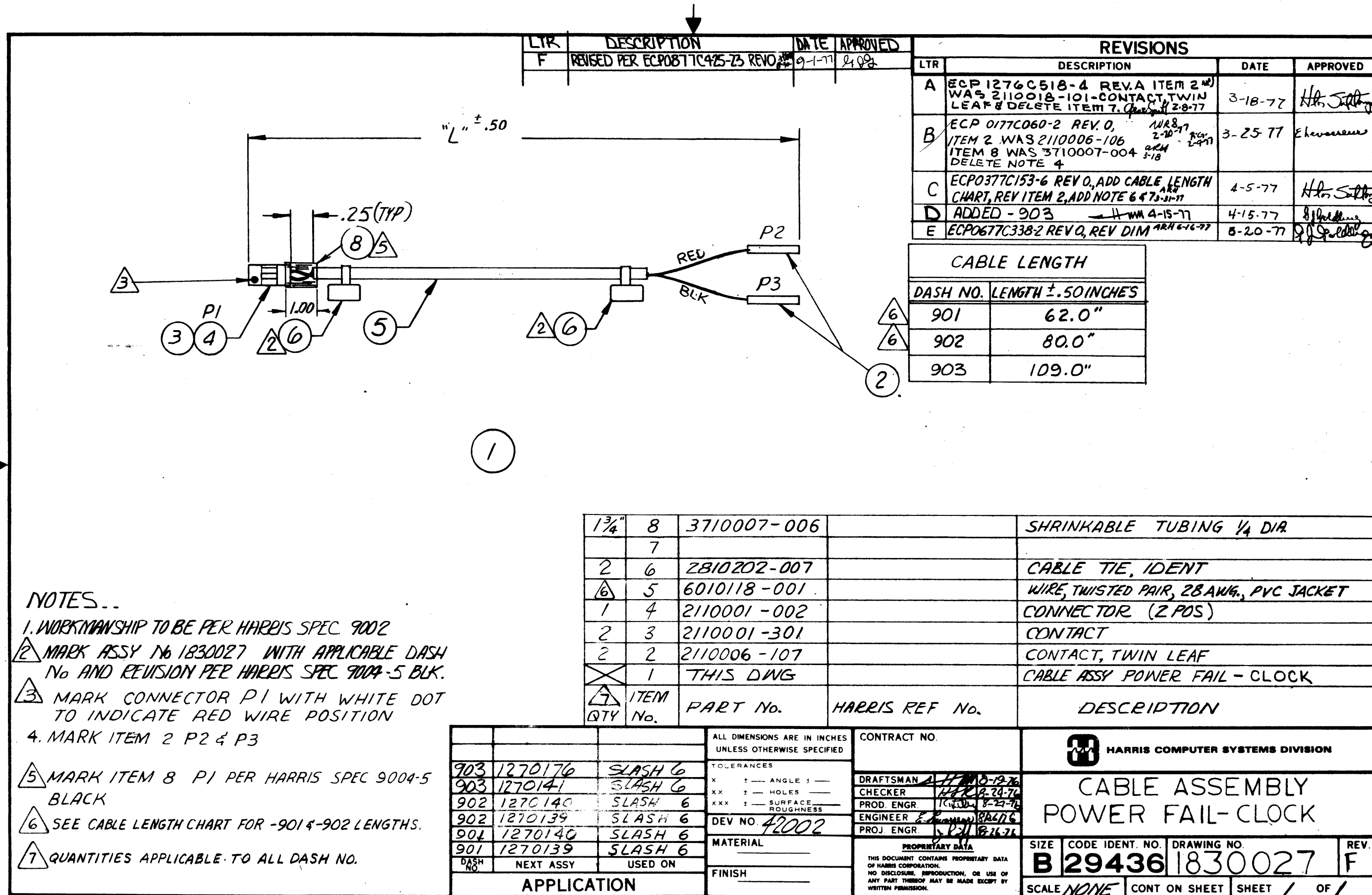


NOTES--

- 1. WORKMANSHIP TO BE PER HARRIS SPEC 9002
- 2. MARK ASSY No 1830026 WITH APPLICABLE DASH No AND REVISION PER HARRIS SPEC 9004-5 BLACK

1	8	2810202-007		CABLE TIE IDENT.
6.00	7	6010106-405		WIRE STRANDED #14 AWG BLU
6.00	6	6010106-305		WIRE STRANDED #14 AWG WHT
6.00	5	6010106-105		WIRE STRANDED #14 AWG RED
6.00	4	6010106-005		WIRE STRANDED #14 AWG BLK
5	3	Z115009-301		PIN (MALE)
1	2	Z115009-001		CONNECTOR PLUG (6 POS)
X	1	THIS DWG		CABLE ASSY POWER AND SENSE OUT.
901 QTY	ITEM No	PART No	HARRIS REF No	DESCRIPTION

ALL DIMENSIONS ARE IN INCHES UNLESS OTHERWISE SPECIFIED			CONTRACT NO.		 HARRIS COMPUTER SYSTEMS DIVISION
TOLERANCES X ± ANGLE ± XX ±.25 HOLES ± XXX ± SURFACE ROUGHNESS ±			DRAFTSMAN: <i>[Signature]</i> CHECKER: <i>[Signature]</i> PROD. ENGR: <i>[Signature]</i> ENGINEER: <i>[Signature]</i> PROJ. ENGR: <i>[Signature]</i>		
DEV NO. 042002 MATERIAL: _____ FINISH: _____			PROPRIETARY DATA THIS DOCUMENT CONTAINS PROPRIETARY DATA OF HARRIS CORPORATION. NO DISCLOSURE, REPRODUCTION, OR USE OF ANY PART THEREOF MAY BE MADE EXCEPT BY WRITTEN PERMISSION.		CABLE ASSEMBLY POWER AND SENSE OUT
901 1270140 SLASH 6 901 1270139 SLASH 6 DASH No NEXT ASSY USED ON			SIZE CODE IDENT. NO. DRAWING NO. REV. B 29436 1830026 -		SCALE NONE CONT ON SHEET SHEET 1 OF 1
APPLICATION					



LTR	DESCRIPTION	DATE	APPROVED
F	REVISED PER ECPO877C425-23 REV 0	9-1-77	408

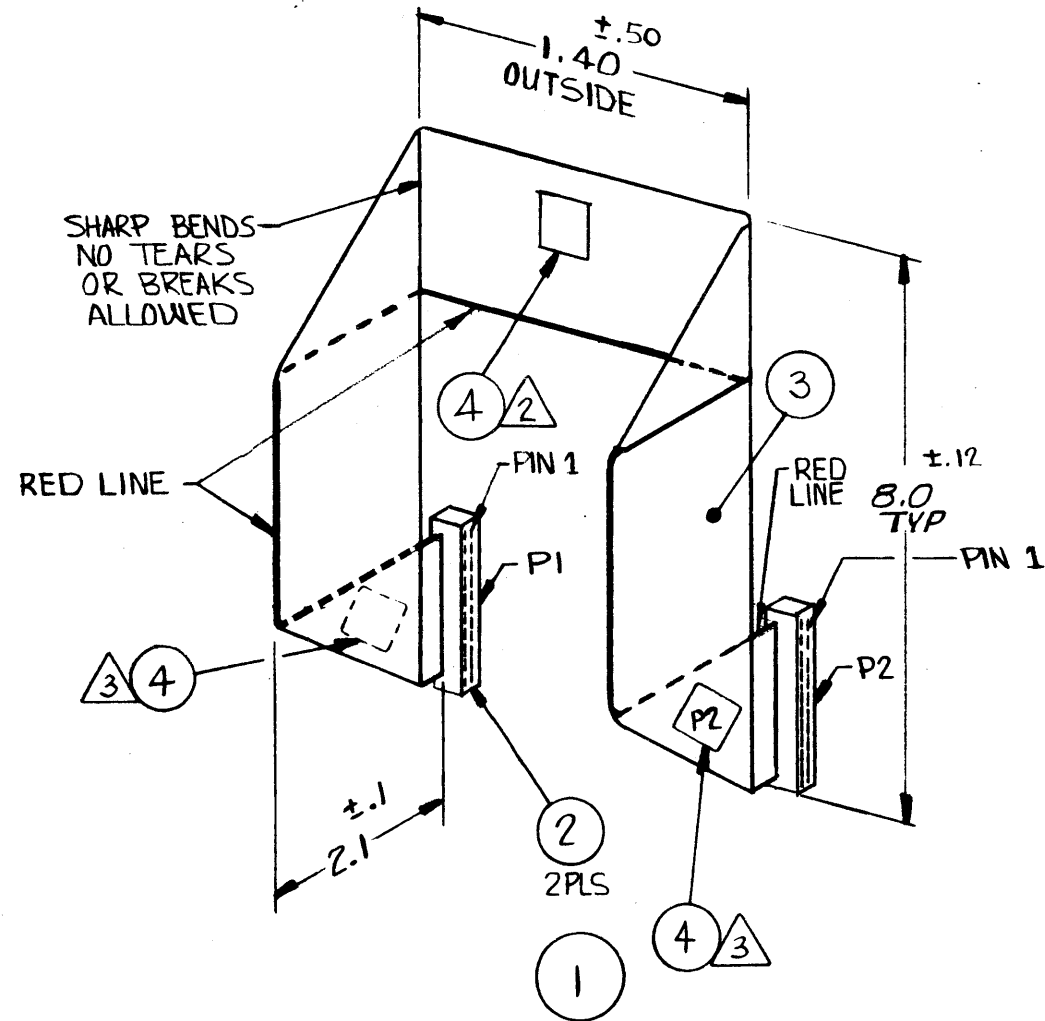
REVISIONS			
LTR	DESCRIPTION	DATE	APPROVED
A	ECP 1276C518-4 REV. A ITEM 2 WAS 2110018-101-CONTACT, TWIN LEAF & DELETE ITEM 7. <i>ARH 2-8-77</i>	3-18-77	<i>H. S. Sully</i>
B	ECP 0177C060-2 REV. 0, <i>WAR 8-77</i> ITEM 2 WAS 2110006-106 <i>2-20-77</i> ITEM 8 WAS 3710007-004 <i>ARH 2-27-77</i> DELETE NOTE 4	3-25-77	<i>E. H. Sweeney</i>
C	ECPO377C153-6 REV 0, ADD CABLE LENGTH CHART, REV ITEM 2, ADD NOTE 6 & 7. <i>ARH 3-31-77</i>	4-5-77	<i>H. S. Sully</i>
D	ADDED - 903 <i>WAR 4-15-77</i>	4-15-77	<i>H. S. Sully</i>
E	ECPO677C338-2 REV 0, REV DIM <i>ARH 6-16-77</i>	8-20-77	<i>H. S. Sully</i>

- NOTES..
- WORKMANSHIP TO BE PER HARRIS SPEC 9002
 - MARK ASSY NO 1830027 WITH APPLICABLE DASH NO AND REVISION PER HARRIS SPEC 9004-5 BLK.
 - MARK CONNECTOR P1 WITH WHITE DOT TO INDICATE RED WIRE POSITION
 - MARK ITEM 2 P2 & P3
 - MARK ITEM 8 P1 PER HARRIS SPEC 9004-5 BLACK
 - SEE CABLE LENGTH CHART FOR -901 & -902 LENGTHS.
 - QUANTITIES APPLICABLE TO ALL DASH NO.

QTY	ITEM No.	PART No.	HARRIS REF No.	DESCRIPTION
1 3/4"	8	3710007-006		SHRINKABLE TUBING 1/4 DIA
	7			
2	6	2810202-007		CABLE TIE, IDENT
6	5	6010118-001		WIRE, TWISTED PAIR, 28 AWG., PVC JACKET
1	4	2110001-002		CONNECTOR (2 POS)
2	3	2110001-301		CONTACT
2	2	2110006-107		CONTACT, TWIN LEAF
X	1	THIS DING		CABLE ASSY POWER FAIL - CLOCK

ALL DIMENSIONS ARE IN INCHES UNLESS OTHERWISE SPECIFIED		CONTRACT NO.		HARRIS COMPUTER SYSTEMS DIVISION CABLE ASSEMBLY POWER FAIL-CLOCK	
TOLERANCES X ± ANGLE ± XX ± HOLES ± XXX ± SURFACE ROUGHNESS		DRAFTSMAN <i>A. H. 10-12-76</i> CHECKER <i>WAR 8-24-76</i> PROD. ENGR <i>TCW 8-27-76</i> ENGINEER <i>E. Sweeney 8-24-76</i> PROJ ENGR <i>H. S. Sully 8-26-76</i>			
DEV NO. 42002		MATERIAL		SIZE B	CODE IDENT. NO. 29436
FINISH		PROPRIETARY DATA THIS DOCUMENT CONTAINS PROPRIETARY DATA OF HARRIS CORPORATION. NO DISCLOSURE, REPRODUCTION, OR USE OF ANY PART THEREOF MAY BE MADE EXCEPT BY WRITTEN PERMISSION.		DRAWING NO. 1830027	REV. F
APPLICATION		SCALE NONE		CONT ON SHEET	SHEET 1 OF 1

REVISIONS			
LTR	DESCRIPTION	DATE	APPROVED
A	ECP0477C257-1 REV 0, CHG FOLD PATTERN ARN 4-29-77	5/12/77	B. Noel



3	4	0610109 - 001		LABEL, SELF ADHESIVE (1/2 x 3/4)
18.0"	3	6010104 - 003		CABLE FLAT BONDED ROUND CONDUCTORS
2	2	2110008 - 104		FLAT CABLE CONNECTOR (34 CONTACT)
X	1	THIS DWG - 1		CABLE ASSY VIRTUAL MEMORY TO OPTION
901 QTY	ITEM No	PART NO.	HARRIS REF No	DESCRIPTION

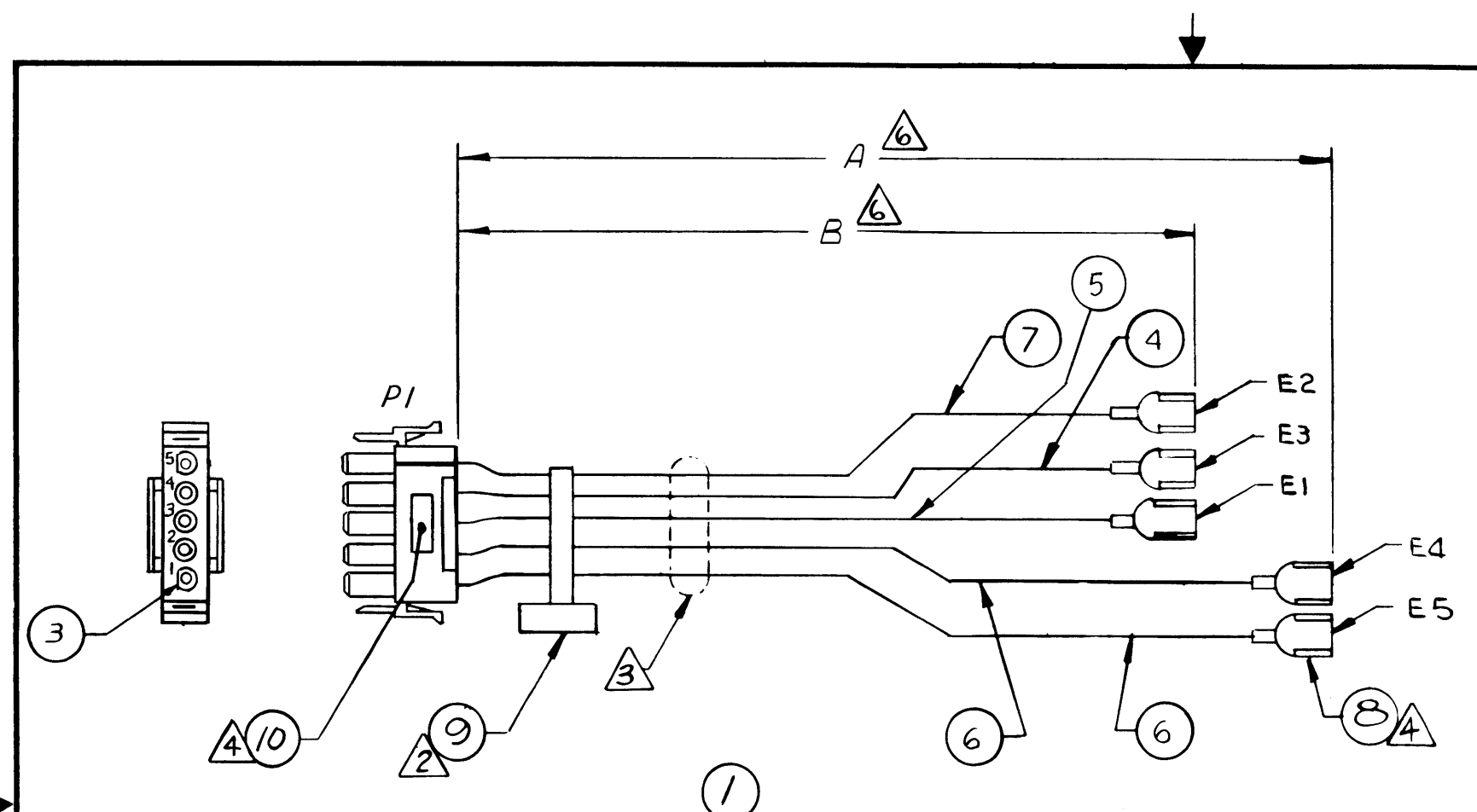
3 MANUFACTURING TO IDENTIFY EACH END OF CABLE TO SHOW REFERENCE DESIGNATIONS BLACK.

2 MARK ASSY No 1830036 APPLICABLE DASH No AND REVISION PER HARRIS SPEC 9004-5 BLK.

1 WORKMANSHIP TO BE PER HARRIS SPEC 9002.

NOTES:

ALL DIMENSIONS ARE IN INCHES UNLESS OTHERWISE SPECIFIED		CONTRACT NO.			
TOLERANCES		DRAFTSMAN <i>[Signature]</i> 3-1-77 CHECKER <i>[Signature]</i> 3-9-77 PROD. ENGR. <i>[Signature]</i> ENGINEER <i>[Signature]</i> 3/2/77 PROJ. ENGR. <i>[Signature]</i> 3/9/77		CABLE ASSY VIRT. MEM. TO OPT.	
DEV NO 042002		MATERIAL		SIZE B CODE IDENT. NO. 29436 DRAWING NO. 1830036 REV. A	
FINISH		PROPRIETARY DATA THIS DOCUMENT CONTAINS PROPRIETARY DATA OF HARRIS CORPORATION. NO DISCLOSURE, REPRODUCTION, OR USE OF ANY PART THEREOF MAY BE MADE EXCEPT BY WRITTEN PERMISSION.		SCALE <i>None</i> CONT ON SHEET SHEET 1 OF 1	
APPLICATION					



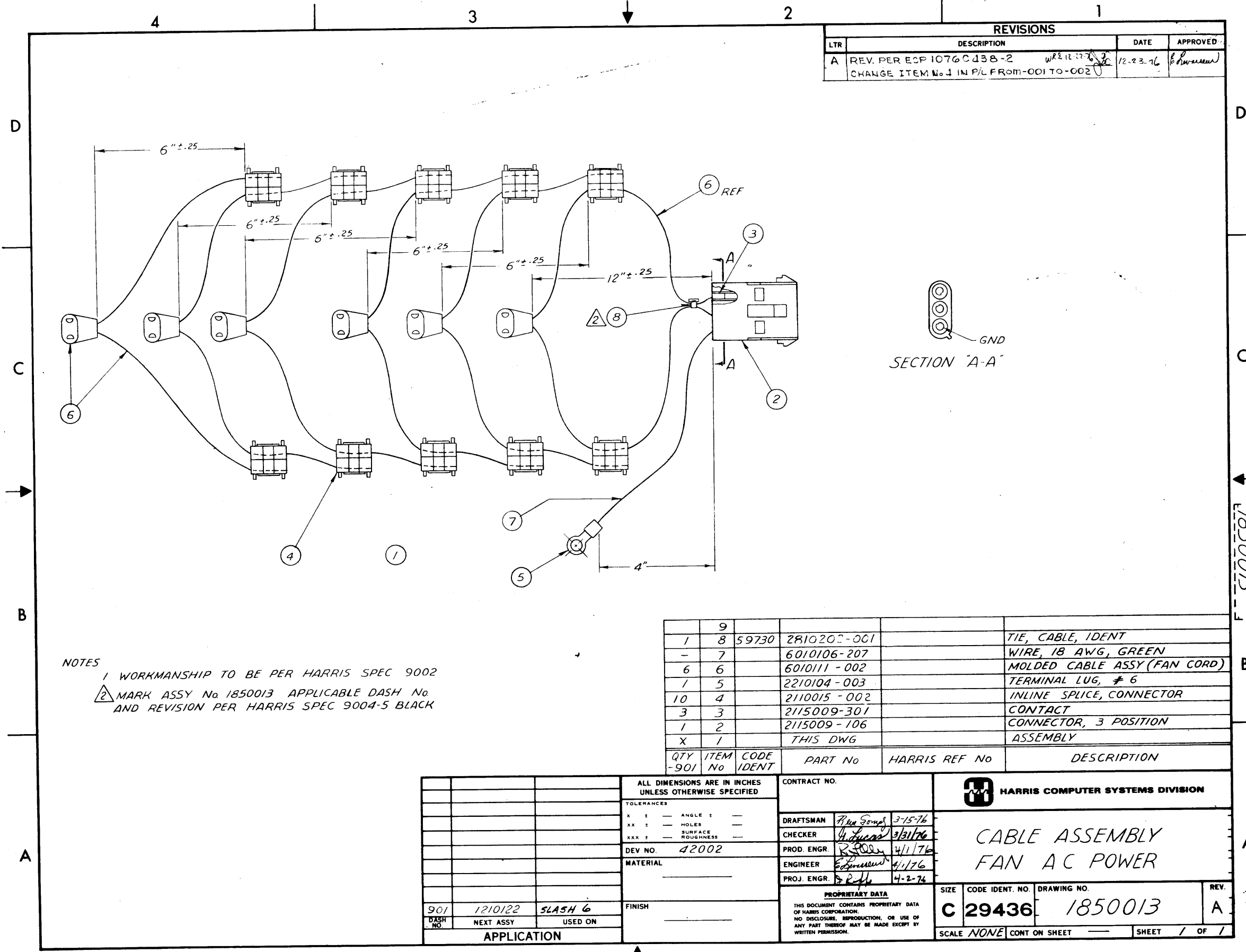
REVISIONS			
LTR	DESCRIPTION	DATE	APPROVED
A	ECPO577C310-1 REV 0, REV PER ECP <i>ARR 6-6-77</i>	6-6-77	<i>[Signature]</i>
B	ECPO877C421-1 E1 WAS P2, E2-P3, E3-P4, 9% E4-P5 & E5-P6 <i>(QTY) 1/77</i>	9-9-77	<i>[Signature]</i>
C	ADDED - 903 12/16/77 <i>[Signature]</i>	12-20-77	<i>[Signature]</i>

DASH CHART		
LENGTH ±.50 (INCH)		
DASH No	A	B
901	24	22
902	32	32
903	60	58

- NOTES --
- 1. WORKMANSHIP TO BE PER HARRIS SPEC 9002
 - 2. MARK ASSY No 1830107 WITH APPLICABLE DASH No AND REVISION PER HARRIS SPEC 9004-5 BLACK
 - 3. TWIST ALL 5 CONDUCTORS PRIOR TO ASSY.
 - 4. MANUFACTURING TO IDENTIFY EACH END OF CABLE TO SHOW LOCATION DESIGNATION PER HARRIS SPEC 9004-2 (BLACK)
 - 5. QTY APPLICABLE TO ALL DASH NUMBERS
 - 6. SEE DASH CHART FOR LENGTH

1	10	6610109-001		LABEL, MARKING 3/4 x 1/2
1	9	2810202-007		CABLE TIE, IDENT.
5	8	2115015-101		TERMINAL (QUICK DISCONNECT) BLUE
6	7	6010106-005		WIPE, STRANDED, BLK #14 AWG
6	6	6010106-405		WIPE, STRANDED, BLUE #14 AWG
6	5	6010106-105		WIPE, STRANDED, RED #14 AWG
6	4	6010106-305		WIPE, STRANDED, WHT #14 AWG
5	3	2115009-401		CONTACT (FEMALE)
1	2	2115009-008		CONNECTOR, CAP (5 POS)
X	1	THIS DING-1		CABLE ASSY, POWER FAIL BOARD
QTY	ITEM No.	PART No.	HARRIS REF. No.	DESCRIPTION

ALL DIMENSIONS ARE IN INCHES UNLESS OTHERWISE SPECIFIED			CONTRACT NO		 HARRIS COMPUTER SYSTEMS DIVISION
TOLERANCES X ± ANGLE ± XX ± HOLES ± XXX ± SURFACE ROUGHNESS ±			DRAFTSMAN <i>[Signature]</i> 2-11-77 CHECKER <i>[Signature]</i> 2-14-77 PROD ENGR <i>[Signature]</i> 2-1-77 ENGINEER <i>[Signature]</i> 3-1-77 PROJ ENGR <i>[Signature]</i> 3-3-77		
DEV NO 042002 MATERIAL _____ FINISH _____			PROPRIETARY DATA THIS DOCUMENT CONTAINS PROPRIETARY DATA OF HARRIS CORPORATION. NO DISCLOSURE, REPRODUCTION, OR USE OF ANY PART THEREOF MAY BE MADE EXCEPT BY WRITTEN PERMISSION.		CABLE ASSEMBLY POWER FAIL BOARD
DASH No NEXT ASSY USED ON APPLICATION			SIZE CODE IDENT. NO. DRAWING NO. REV. B 29436 1830107 C		
			SCALE NONE		CONT ON SHEET SHEET / OF /



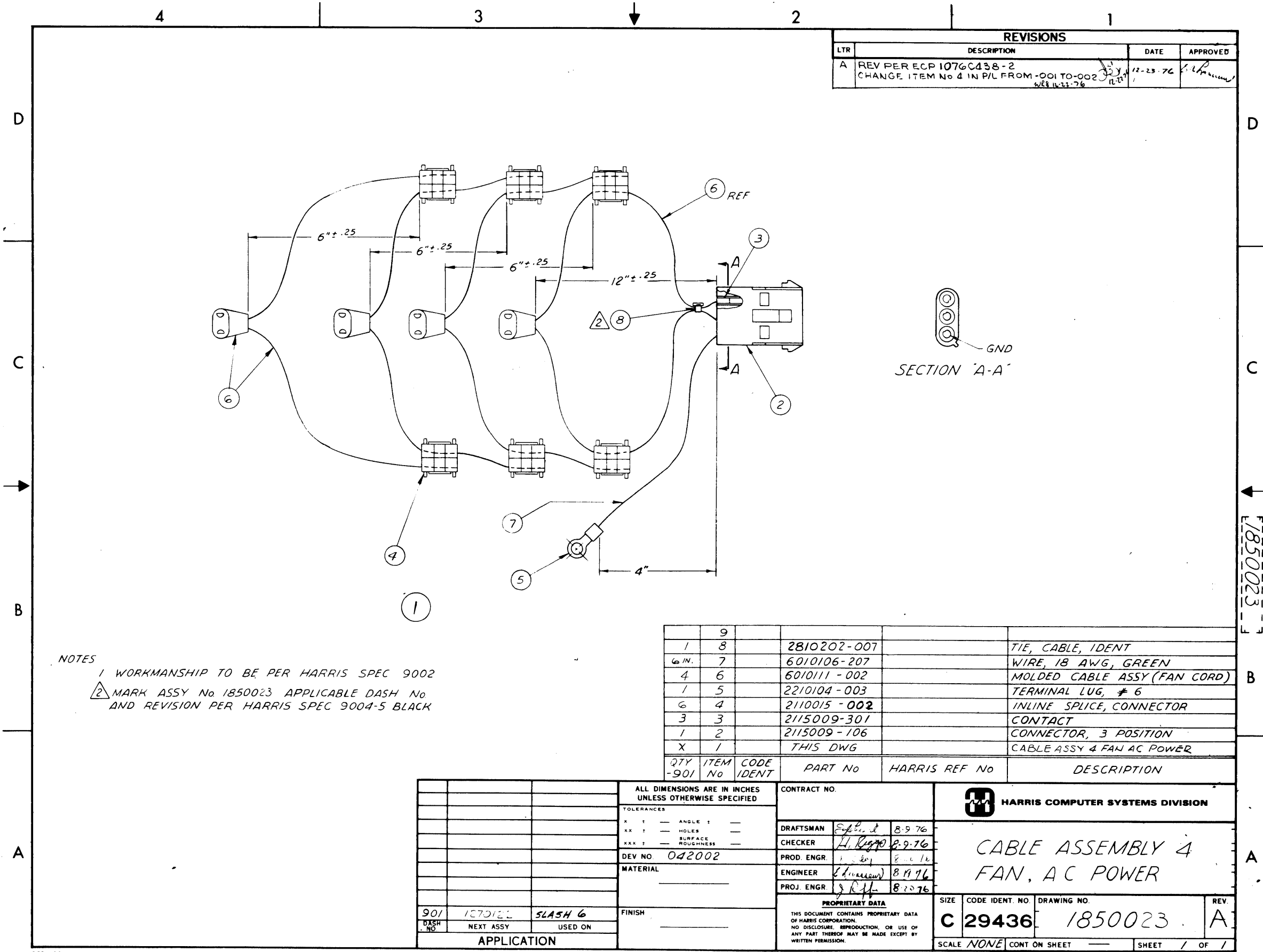
REVISIONS			
LTR	DESCRIPTION	DATE	APPROVED
A	REV. PER ECF 1076 C438-2 CHANGE ITEM No 4 IN P/L FROM -001 TO -002	12-23-76	[Signature]

NOTES
1 WORKMANSHIP TO BE PER HARRIS SPEC 9002
2 MARK ASSY No 1850013 APPLICABLE DASH No AND REVISION PER HARRIS SPEC 9004-5 BLACK

QTY	ITEM No	CODE IDENT	PART No	HARRIS REF No	DESCRIPTION
1	8	59730	2810202-001		TIE, CABLE, IDENT
-	7		6010106-207		WIRE, 18 AWG, GREEN
6	6		6010111-002		MOLDED CABLE ASSY (FAN CORD)
1	5		2210104-003		TERMINAL LUG, # 6
10	4		2110015-002		INLINE SPLICE, CONNECTOR
3	3		2115009-301		CONTACT
1	2		2115009-106		CONNECTOR, 3 POSITION
X	1				THIS DWG

ALL DIMENSIONS ARE IN INCHES UNLESS OTHERWISE SPECIFIED			CONTRACT NO.		HARRIS COMPUTER SYSTEMS DIVISION
TOLERANCES X ± — ANGLE ± — XX ± — HOLES — XXX ± — SURFACE ROUGHNESS —			DRAFTSMAN	3-15-76	
DEV NO. 42002			CHECKER	3/31/76	
MATERIAL			PROD. ENGR.	4/1/76	
FINISH			ENGINEER	4/1/76	
PROPRIETARY DATA THIS DOCUMENT CONTAINS PROPRIETARY DATA OF HARRIS CORPORATION. NO DISCLOSURE, REPRODUCTION, OR USE OF ANY PART THEREOF MAY BE MADE EXCEPT BY WRITTEN PERMISSION.			PROJ. ENGR.	4-2-76	SIZE CODE IDENT. NO. DRAWING NO. REV. C 29436 1850013 A
APPLICATION			SCALE NONE CONT ON SHEET		SHEET 1 OF 1

C8D1100



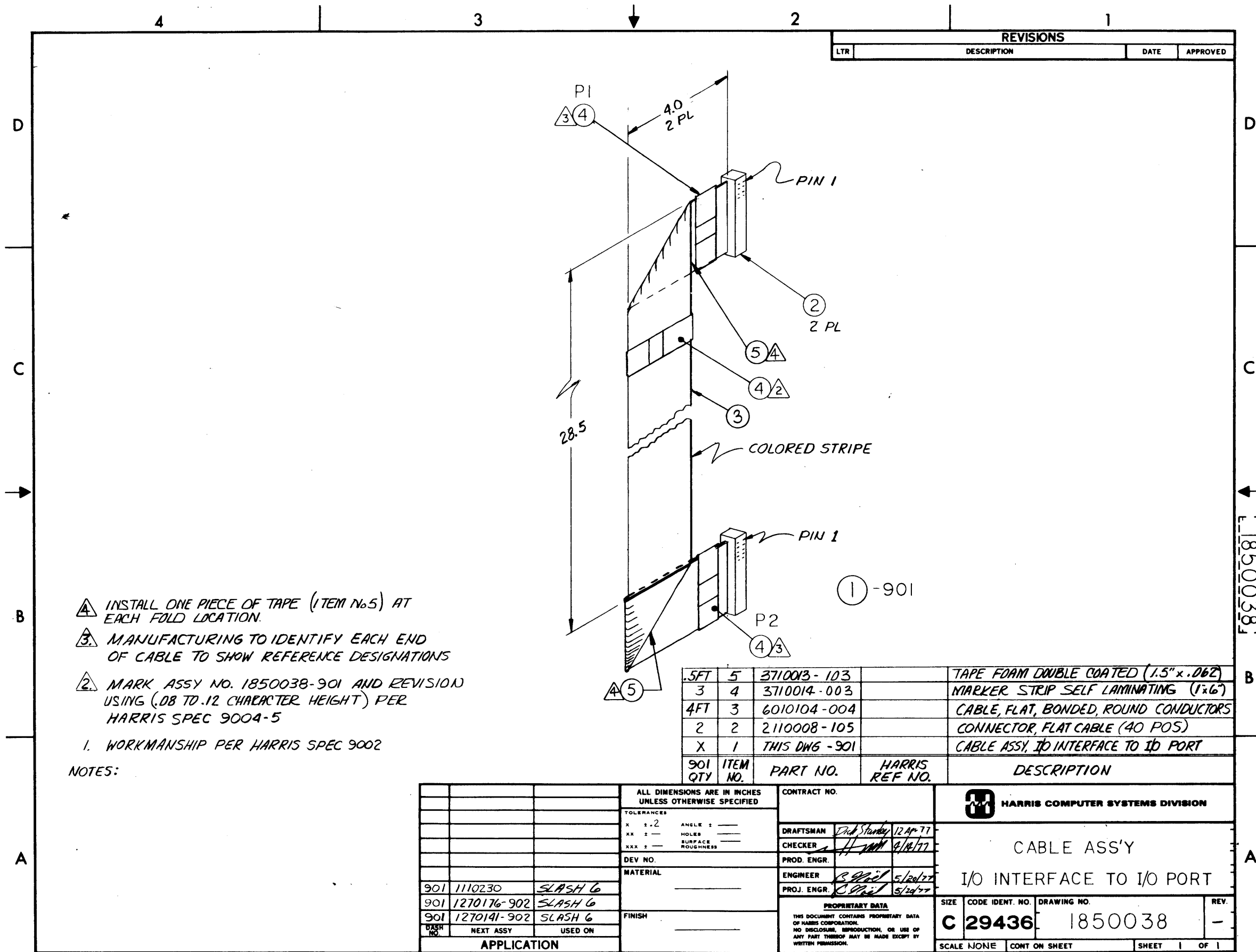
REVISIONS			
LTR	DESCRIPTION	DATE	APPROVED
A	REV PER ECP 1076C438-2 CHANGE ITEM No 4 IN P/L FROM -001 TO -002 4/89 11-23-76	12-23-76	[Signature]

NOTES
1 WORKMANSHIP TO BE PER HARRIS SPEC 9002
2 MARK ASSY No 1850023 APPLICABLE DASH No
AND REVISION PER HARRIS SPEC 9004-5 BLACK

QTY	ITEM No	CODE IDENT	PART No	HARRIS REF No	DESCRIPTION
	9				
1	8		2810202-007		TIE, CABLE, IDENT
6 IN.	7		6010106-207		WIRE, 18 AWG, GREEN
4	6		6010111-002		MOLDED CABLE ASSY (FAN CORD)
1	5		2210104-003		TERMINAL LUG, # 6
6	4		2110015-002		INLINE SPLICE, CONNECTOR
3	3		2115009-301		CONTACT
1	2		2115009-106		CONNECTOR, 3 POSITION
X	1		THIS DWG		CABLE ASSY 4 FAN AC POWER

ALL DIMENSIONS ARE IN INCHES UNLESS OTHERWISE SPECIFIED			CONTRACT NO.		HARRIS COMPUTER SYSTEMS DIVISION
TOLERANCES X ± — ANGLE ± — XX ± — HOLES — XXX ± — SURFACE FINISH —			DRAFTSMAN	8-9-76	
DEV NO 042002			CHECKER	8-9-76	CABLE ASSEMBLY 4 FAN, AC POWER
MATERIAL			PROD ENGR	8-9-76	
FINISH			ENGINEER	8-9-76	
DASH NO 901			PROJ ENGR	8-20-76	SIZE C
APPLICATION			PROPRIETARY DATA THIS DOCUMENT CONTAINS PROPRIETARY DATA OF HARRIS CORPORATION. NO DISCLOSURE, REPRODUCTION, OR USE OF ANY PART THEREOF MAY BE MADE EXCEPT BY WRITTEN PERMISSION.		CODE IDENT. NO 29436
NEXT ASSY USED ON			DRAWING NO 1850023		REV A
			SCALE NONE		SHEET 1 OF 1

CSD1100



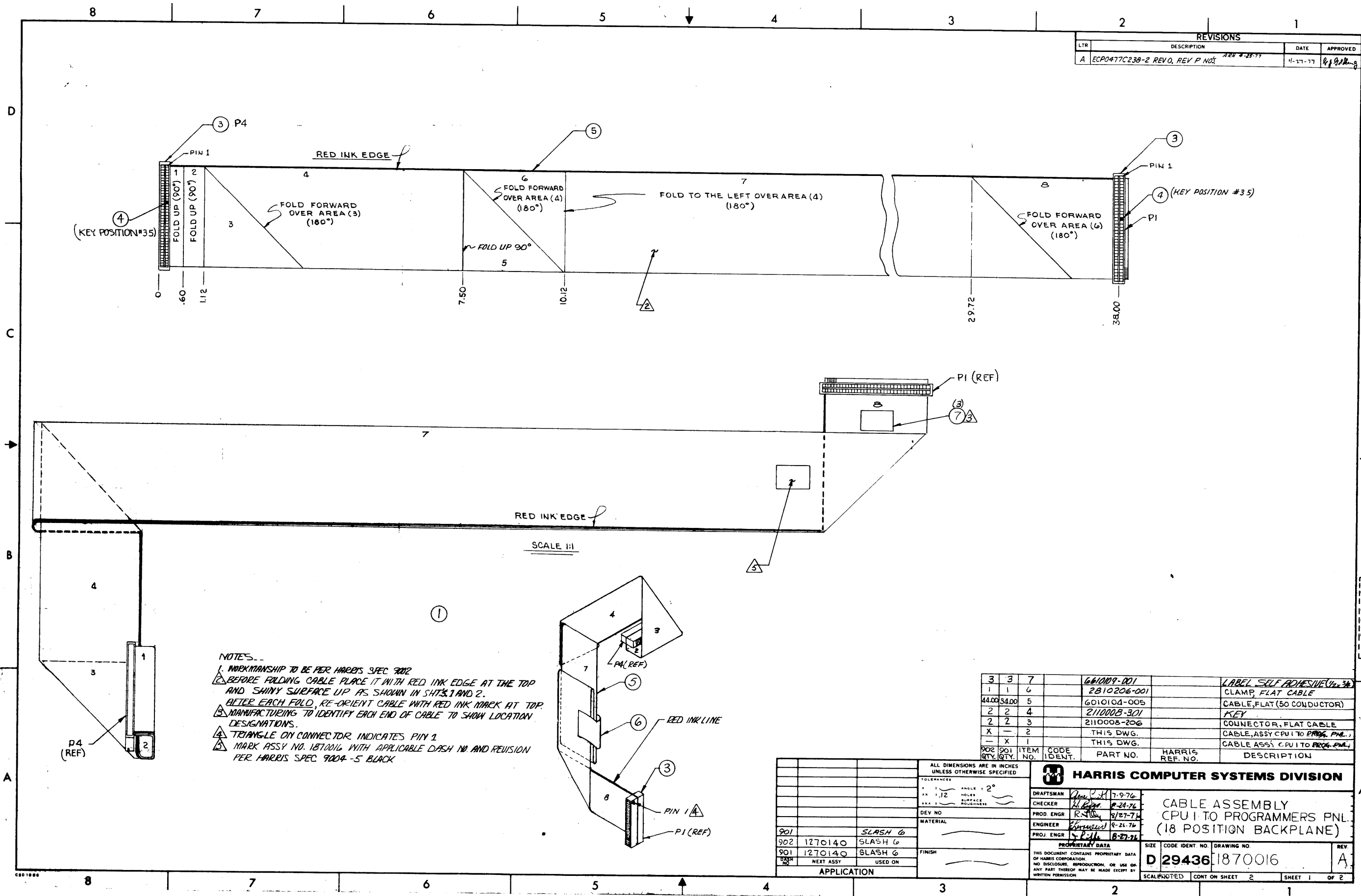
- NOTES:
- 1. WORKMANSHIP PER HARRIS SPEC 9002
 - 2. MARK ASSY NO. 1850038-901 AND REVISION USING (.08 TO .12 CHARACTER HEIGHT) PER HARRIS SPEC 9004-5
 - 3. MANUFACTURING TO IDENTIFY EACH END OF CABLE TO SHOW REFERENCE DESIGNATIONS
 - 4. INSTALL ONE PIECE OF TAPE (ITEM No.5) AT EACH FOLD LOCATION.

QTY	ITEM NO.	PART NO.	HARRIS REF NO.	DESCRIPTION
5	5	3710013-103		TAPE FOAM DOUBLE COATED (1.5" x .062)
3	4	3710014-003		MARKER STRIP SELF LAMINATING (1x6")
4	3	6010104-004		CABLE, FLAT, BONDED, ROUND CONDUCTORS
2	2	2110008-105		CONNECTOR, FLAT CABLE (40 POS)
X	1	THIS DWG - 901		CABLE ASSY, I/O INTERFACE TO I/O PORT

ALL DIMENSIONS ARE IN INCHES UNLESS OTHERWISE SPECIFIED			CONTRACT NO.		HARRIS COMPUTER SYSTEMS DIVISION
TOLERANCES X ±.2 ANGLE ± XX ± HOLE ± XXX ± SURFACE ROUGHNESS ±			DRAFTSMAN <i>Paul Stanley</i> 12/1/77	CHECKER <i>H. Hill</i> 4/14/77	
DEV NO.			PROD. ENGR.	ENGINEER <i>R. Gail</i> 5/20/77	I/O INTERFACE TO I/O PORT
MATERIAL			PROJ. ENGR. <i>R. Gail</i> 5/20/77	PROPRIETARY DATA THIS DOCUMENT CONTAINS PROPRIETARY DATA OF HARRIS CORPORATION. NO DISCLOSURE, REPRODUCTION, OR USE OF ANY PART THEREOF MAY BE MADE EXCEPT BY WRITTEN PERMISSION.	
901	1110230	SLASH 6	SIZE C 29436 CODE IDENT. NO. 1850038 DRAWING NO. 1850038		REV. -
901	1270176-902	SLASH 6	SCALE NONE CONT ON SHEET		SHEET 1 OF 1
901	1270141-902	SLASH 6	APPLICATION		
DASH NO.	NEXT ASSY	USED ON			

CB01100

REVISIONS			
LTR	DESCRIPTION	DATE	APPROVED
A	ECPO477C238-2 REV 0, REV P NO. 1	4-17-77	[Signature]

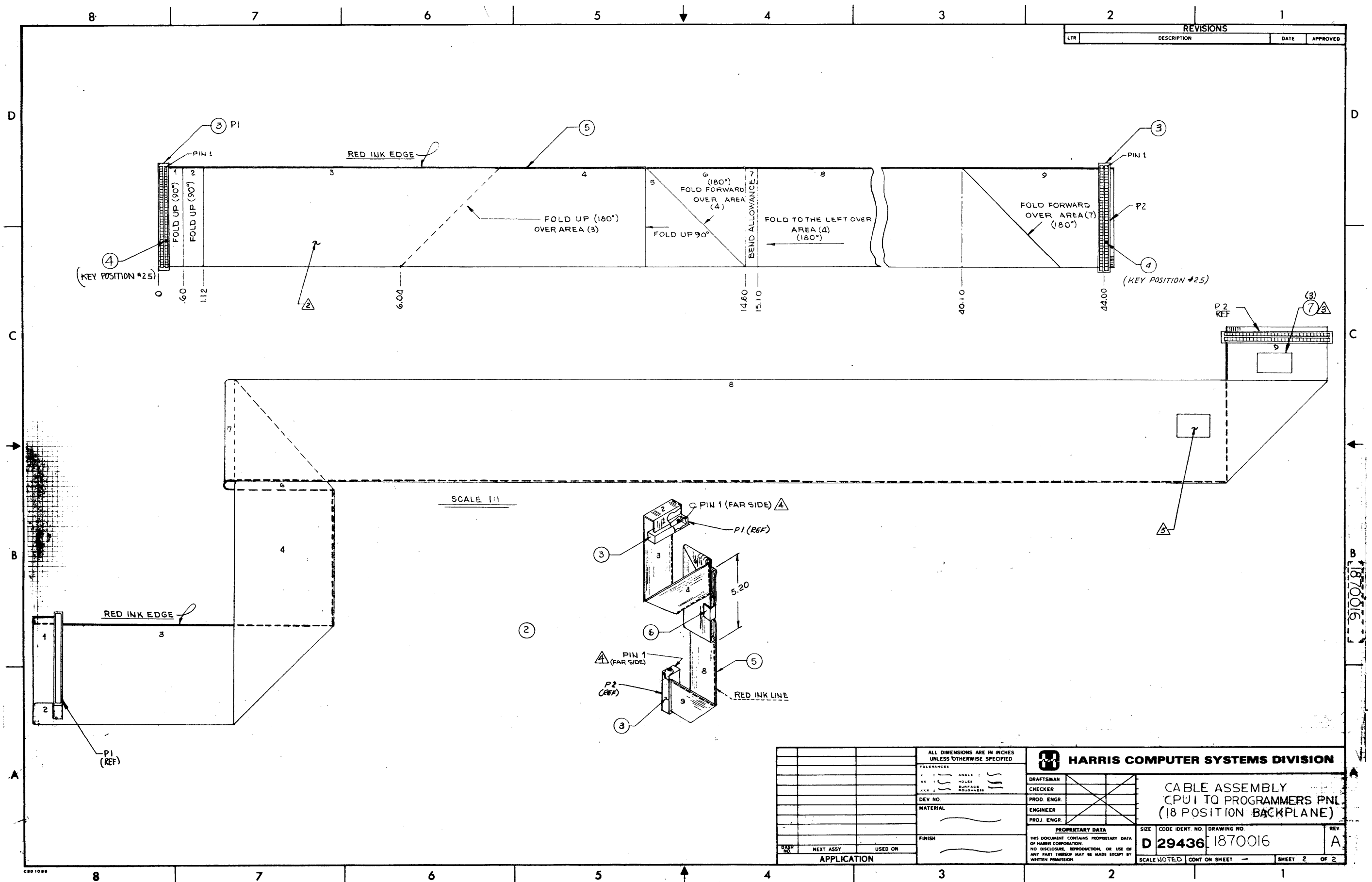


NOTES--
 1. DIMENSIONS TO BE PER HARRIS SPEC 9002
 2. BEFORE FOLDING CABLE PLACE IT WITH RED INK EDGE AT THE TOP AND SHINY SURFACE UP AS SHOWN IN SHTS 1 AND 2.
 3. AFTER EACH FOLD, RE-ORIENT CABLE WITH RED INK MARK AT TOP.
 4. MANUFACTURING TO IDENTIFY EACH END OF CABLE TO SHOW LOCATION DESIGNATIONS.
 5. TRIANGLE ON CONNECTOR INDICATES PIN 1
 6. MARK ASSY NO. 1870016 WITH APPLICABLE DASH NO AND REVISION PER HARRIS SPEC 9004-5 BLACK

QTY.	QTY.	ITEM NO.	CODE IDENT.	PART NO.	HARRIS REF. NO.	DESCRIPTION
3	3	7		661009-001		LABEL SELF ADHESIVE (1/2" x 3/8")
1	1	6		2810206-001		CLAMP, FLAT CABLE
44.00	34.00	5		6010104-005		CABLE, FLAT (50 CONDUCTOR)
2	2	4		2110008-301		KEY
2	2	3		2110008-206		CONNECTOR, FLAT CABLE
X	-	2		THIS DWG.		CABLE ASSY CPU1 TO PROGRAMMERS PNL
-	X	1		THIS DWG.		CABLE ASSY CPU1 TO PROGRAMMERS PNL

ALL DIMENSIONS ARE IN INCHES UNLESS OTHERWISE SPECIFIED TOLERANCES: .012 ANGLE ± 2° .012 HOLE SURFACE ROUGHNESS		HARRIS COMPUTER SYSTEMS DIVISION DRAFTSMAN [Signature] 7-9-76 CHECKER [Signature] 8-24-76 PROD ENGR [Signature] 8-27-76 ENGINEER [Signature] 8-21-76 PROJ ENGR [Signature] 8-27-76	
DEV NO MATERIAL FINISH		THIS DOCUMENT CONTAINS PROPRIETARY DATA OF HARRIS CORPORATION. NO DISCLOSURE, REPRODUCTION, OR USE OF ANY PART THEREOF MAY BE MADE EXCEPT BY WRITTEN PERMISSION. SIZE CODE IDENT. NO. DRAWING NO. REV D 29436 1870016 A	
APPLICATION 901 1270140 SLASH G 902 1270140 SLASH G 901 1270140 SLASH G		SCALE NOTED CONT ON SHEET 2 SHEET 1 OF 2	

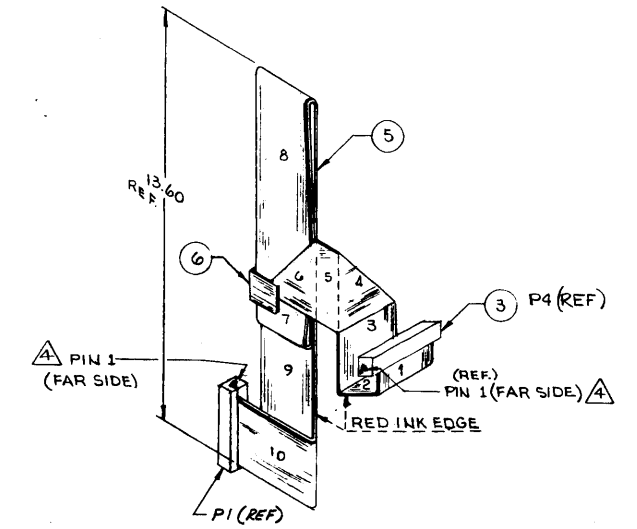
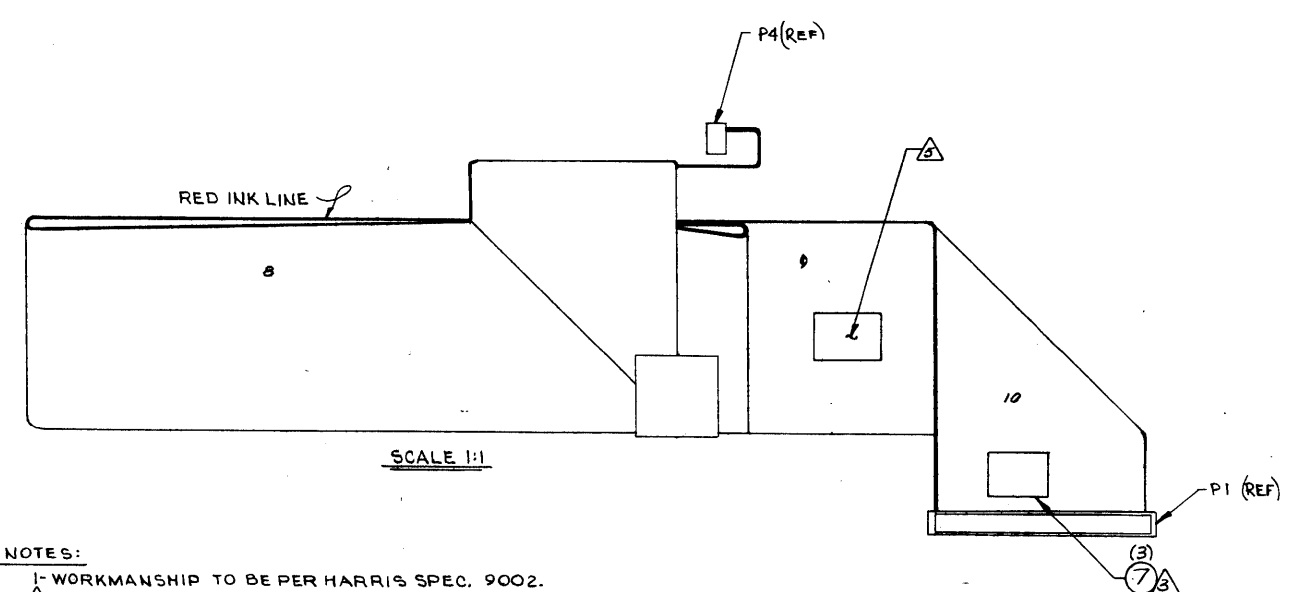
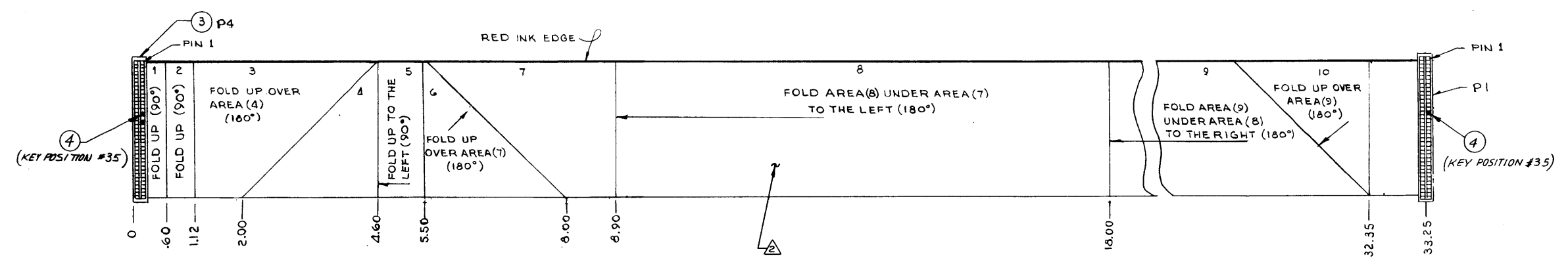
1870016-1



1870016

ALL DIMENSIONS ARE IN INCHES UNLESS OTHERWISE SPECIFIED		HARRIS COMPUTER SYSTEMS DIVISION	
TOLERANCES	ANGLE	DRAFTSMAN	CABLE ASSEMBLY CPU1 TO PROGRAMMERS PNL (18 POSITION BACKPLANE)
± .01	± .01	CHECKER	
± .005	HOLE	PROD ENGR	
± .002	SURFACE ROUGHNESS	ENGINEER	
± .001		PROJ ENGR	
DEV NO	MATERIAL	<small>PROPRIETARY DATA</small> THIS DOCUMENT CONTAINS PROPRIETARY DATA OF HARRIS CORPORATION. NO DISCLOSURE, REPRODUCTION, OR USE OF ANY PART THEREOF MAY BE MADE EXCEPT BY WRITTEN PERMISSION.	
FINISH		SIZE	CODE IDENT NO D 29436
DRAW NO	NEXT ASSY	USED ON	DRAWING NO. 1870016
APPLICATION			SCALE NOTED CONT ON SHEET - SHEET 2 OF 2

REVISIONS			
LTR	DESCRIPTION	DATE	APPROVED
A	ECPO47C238-2 REV'D, REV P NOS. A AND B-25-77	4-27-77	[Signature]

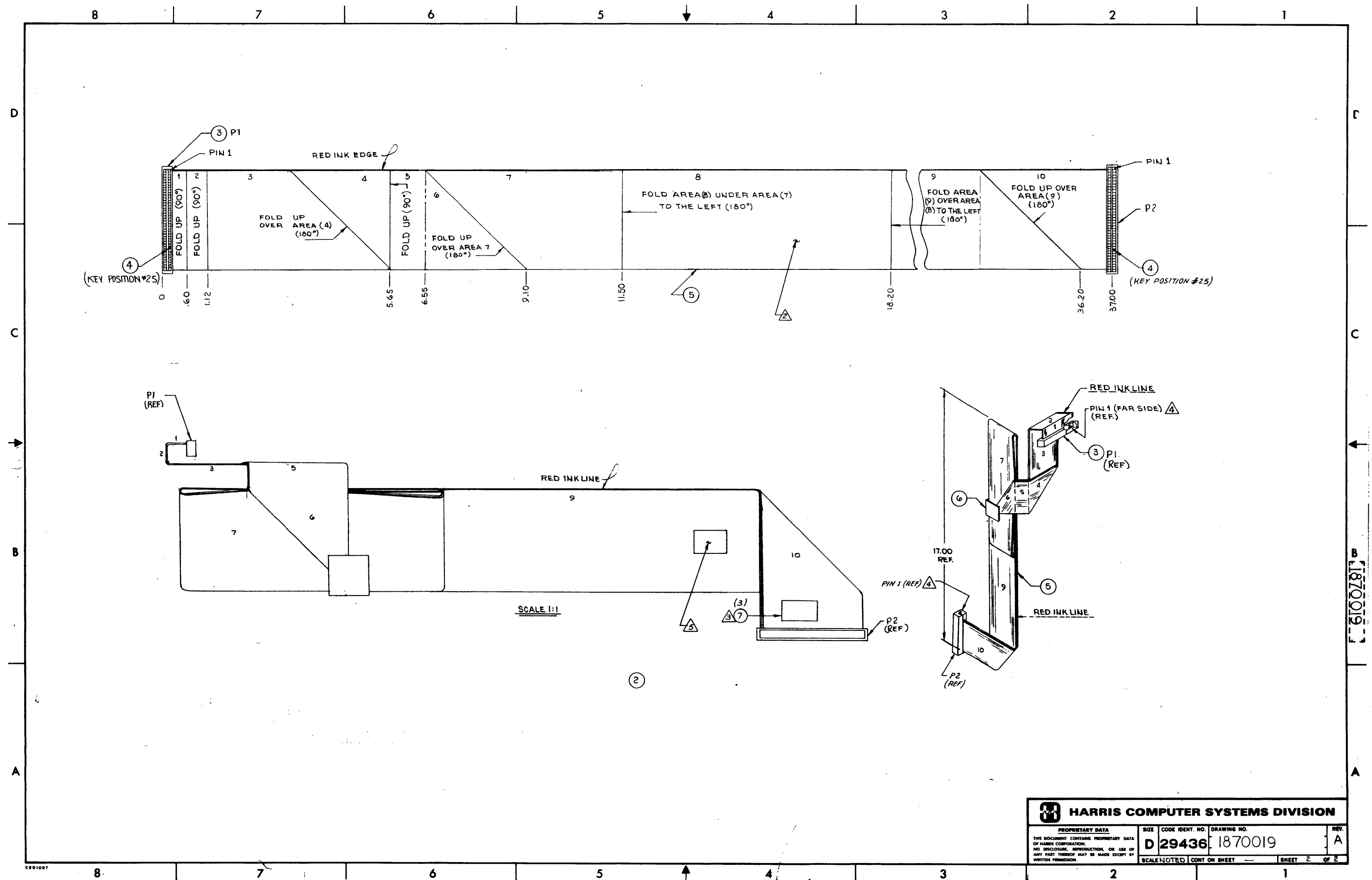


- NOTES:
- 1- WORKMANSHIP TO BE PER HARRIS SPEC. 9002.
 - 2- BEFORE FOLDING CABLE, PLACE IT WITH RED INK EDGE AS SHOWN IN SHY'S 1 & 2 AT THE TOP, WITH SHINY SURFACE UP. AFTER EACH FOLD, RE-ORIENT CABLE WITH RED INK EDGE AT THE TOP.
 - 3- MANUFACTURING TO IDENTIFY EACH END OF CABLE TO SHOW LOCATION DESIGNATIONS (BLACK).
 - 4- TRIANGLE ON CONNECTOR INDICATES PIN 1.
 - 5- MARK ASSY NO. 1870019 WITH APPLICABLE DASH NO. AND REVISION PER HARRIS SPEC. 9004-5 BLACK.

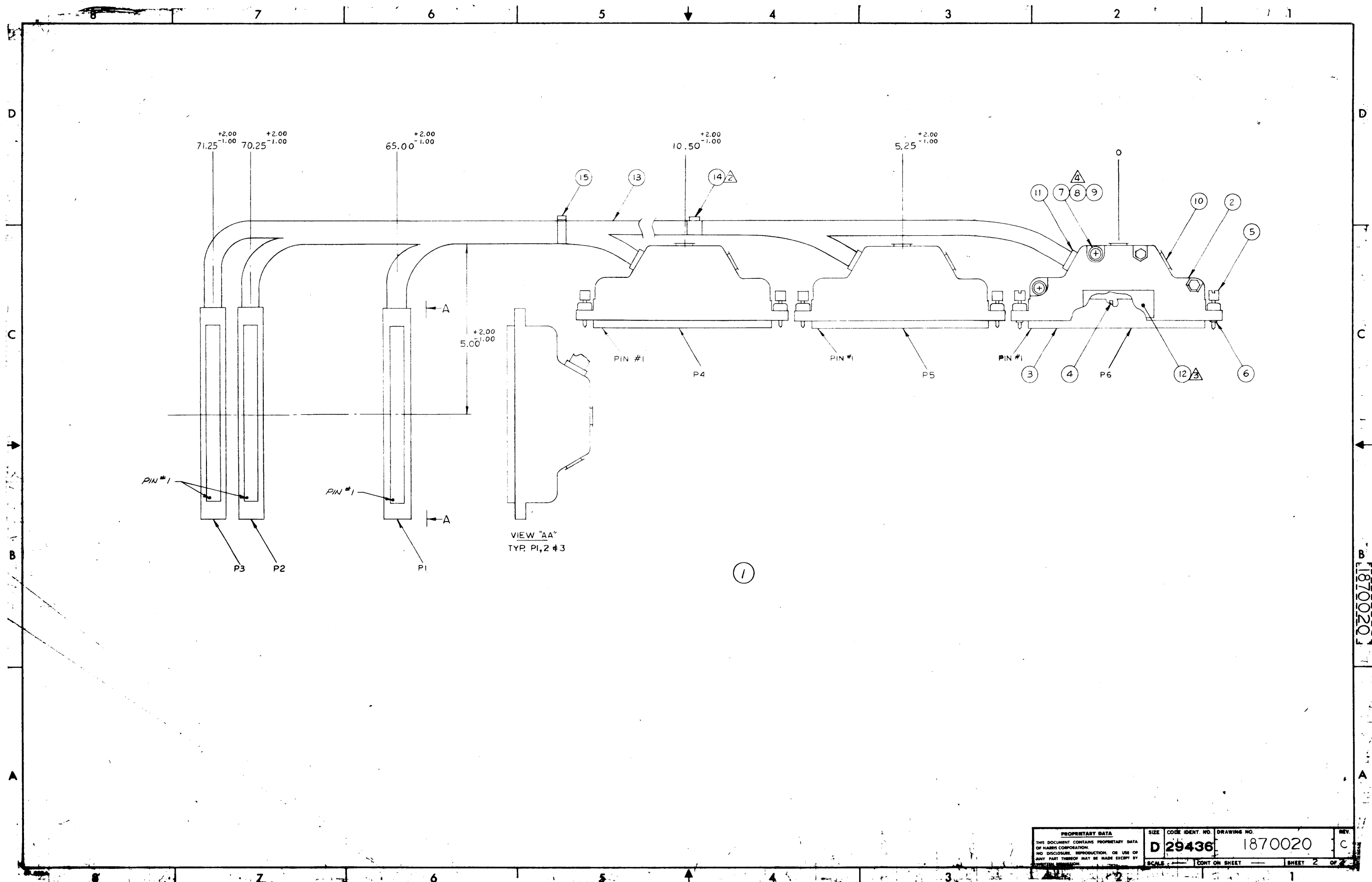
QTY.	QTY.	ITEM NO.	CODE IDENT.	PART NO.	HARRIS REF. NO.	DESCRIPTION
3	3	7		6610109-001		LABEL SELF ADHESIVE (1/2 x 3/4)
1	1	6		2810206-001		CLAMP, FLAT CABLE
37.00	33.25	5		6010104-005		CABLE, FLAT (50 CONDUCTOR)
2	2	4		2110008-301		KEY
2	2	3		2110008-206		CONNECTOR, FLAT CABLE
X	-	2		THIS DWG.		CABLE ASSY CPU 1 TO PROGRAMMERS PNL
-	X	1		THIS DWG.		CABLE ASSY CPU 1 TO PROGRAMMERS PNL

ALL DIMENSIONS ARE IN INCHES UNLESS OTHERWISE SPECIFIED TOLERANCES: .005 ANGLE 1/2° .012 HOLES .010 SURFACE FINISH .010 DIMENSIONS			HARRIS COMPUTER SYSTEMS DIVISION DRAFTSMAN: [Signature] 7-28-76 CHECKER: [Signature] 8-20-76 PROD ENGR: [Signature] 8/27-76 ENGINEER: [Signature] 8/24/76 PROJ ENGR: [Signature] 8-28-76		
DEV NO 042002 MATERIAL: _____ FINISH: _____			CABLE ASSEMBLY CPU: 1 TO PROGRAMMERS PNL (10 POSITION BACKPLANE)		
PROPRIETARY DATA THIS DOCUMENT CONTAINS PROPRIETARY DATA OF HARRIS CORPORATION. NO DISCLOSURE, REPRODUCTION, OR USE OF ANY PART THEREOF MAY BE MADE EXCEPT BY WRITTEN PERMISSION.			SIZE: _____ CODE IDENT NO: _____ DRAWING NO: D 29436 1870019 SCALE: _____ CONT ON SHEET: 2 SHEET: 1 OF 2		

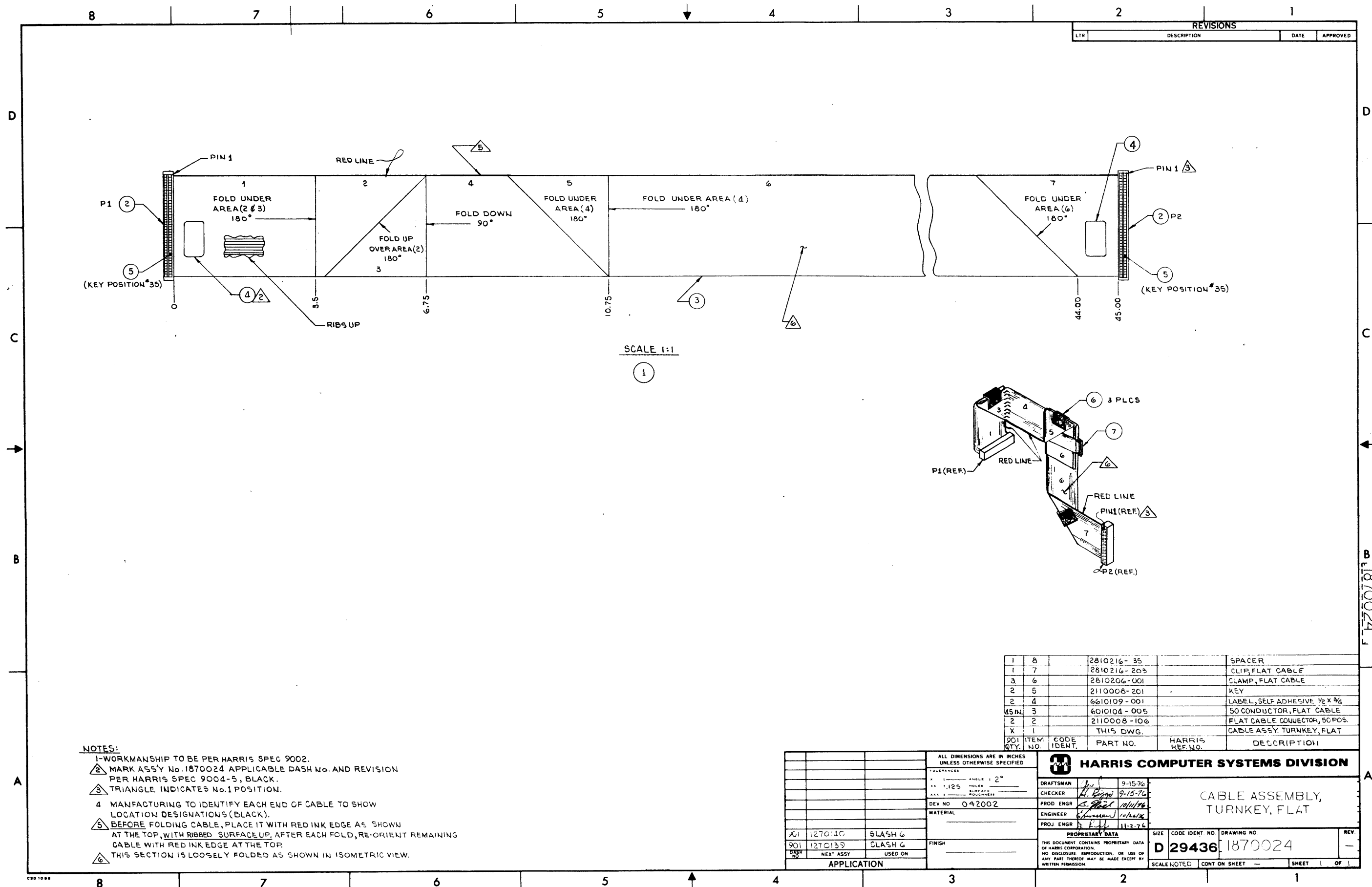
1870019



HARRIS COMPUTER SYSTEMS DIVISION			
PROPRIETARY DATA THIS DOCUMENT CONTAINS PROPRIETARY DATA OF HARRIS CORPORATION. NO DISCLOSURE, REPRODUCTION, OR USE OF ANY PART THEREOF MAY BE MADE EXCEPT BY WRITTEN PERMISSION.	SIZE	CODE IDENT. NO.	DRAWING NO.
	D	29436	1870019
SCALE NOTED	CONT ON SHEET	SHEET	2 OF 2



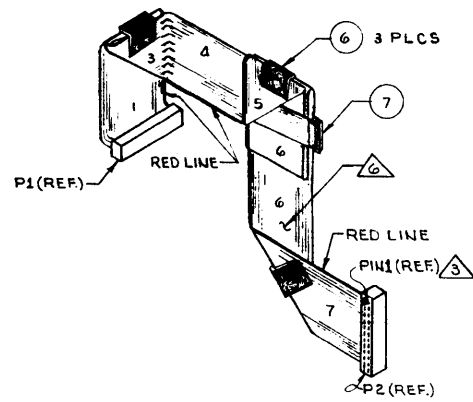
PROPRIETARY DATA		SIZE	CODE IDENT. NO.	DRAWING NO.	REV.
THIS DOCUMENT CONTAINS PROPRIETARY DATA OF HARRIS CORPORATION. NO DISCLOSURE, REPRODUCTION, OR USE OF ANY PART THEREOF MAY BE MADE EXCEPT BY AUTHORIZED PERSONNEL.		D 29436		1870020	C
SCALE		CONT. ON SHEET		SHEET 2 OF 2	



REVISIONS		
TR	DESCRIPTION	DATE

SCALE 1:1

①



NOTES:

- 1- WORKMANSHIP TO BE PER HARRIS SPEC 9002.
- ② MARK ASSY No. 1870024 APPLICABLE DASH No. AND REVISION PER HARRIS SPEC 9004-5, BLACK.
- ③ TRIANGLE INDICATES No. 1 POSITION.
- 4 MANUFACTURING TO IDENTIFY EACH END OF CABLE TO SHOW LOCATION DESIGNATIONS (BLACK).
- ⑤ BEFORE FOLDING CABLE, PLACE IT WITH RED INK EDGE AS SHOWN AT THE TOP, WITH RIBBED SURFACE UP. AFTER EACH FOLD, RE-ORIENT REMAINING CABLE WITH RED INK EDGE AT THE TOP.
- ⑥ THIS SECTION IS LOOSELY FOLDED AS SHOWN IN ISOMETRIC VIEW.

QTY.	ITEM NO.	CODE IDENT.	PART NO.	HARRIS REF. NO.	DESCRIPTION
1	8		2810216-35		SPACER
1	7		2810216-203		CLIP, FLAT CABLE
3	6		2810206-001		CLAMP, FLAT CABLE
2	5		2110008-201		KEY
2	4		6610109-001		LABEL, SELF ADHESIVE 1/2 X 3/4
45 IN.	3		6010104-005		50 CONDUCTOR, FLAT CABLE
2	2		2110008-106		FLAT CABLE CONNECTOR, 50 POS.
X	1		THIS DWG.		CABLE ASSY TURNKEY, FLAT

ALL DIMENSIONS ARE IN INCHES UNLESS OTHERWISE SPECIFIED		HARRIS COMPUTER SYSTEMS DIVISION	
TOLERANCES			
* 1	ANGLE 2°	DRAFTSMAN	9-15-76
** 1.125	HOLE	CHECKER	9-15-76
*** 1	SURFACE FINISH	PROD ENGR	10/1/76
DEV NO 042002		ENGINEER	10/2/76
MATERIAL		PROJ ENGR	11-2-76
FINISH		PROPRIETARY DATA THIS DOCUMENT CONTAINS PROPRIETARY DATA OF HARRIS CORPORATION. NO DISCLOSURE, REPRODUCTION, OR USE OF ANY PART THEREOF MAY BE MADE EXCEPT BY WRITTEN PERMISSION.	
X01 1270110 SLASH 6		SIZE	CODE IDENT NO
901 1270139 SLASH 6		DRAWING NO	REV
DASH NO	NEXT ASSY USED ON	D 29436	1870024
APPLICATION		SCALE NOTED	CONT ON SHEET
		SHEET	OF

1870024

SECTION IV
PC ASSEMBLY DRAWINGS

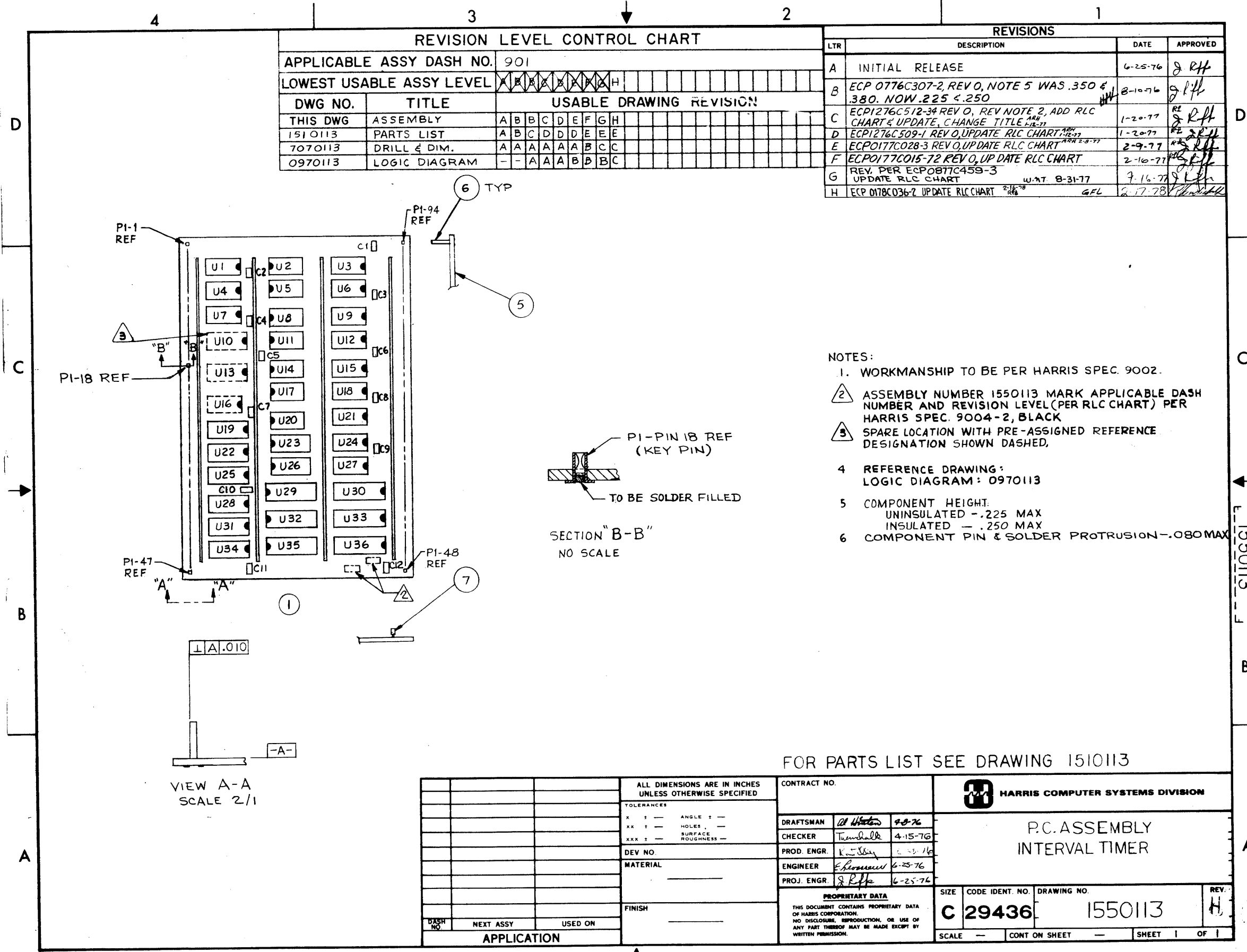
4-1 PC ASSEMBLY DRAWING INDEX

The following drawings are included in this section. Corresponding parts lists are contained in Section VI of this manual.

Drawing Number	Title/Description	Drawing Sheet / Revision	Manual Revision	Page Number
1550113	P.C. Assembly; Interval Timer	1 H	103	4-3
1550117	P.C. Assembly; Program Restrict	1 K	103	4-4
1550119	P.C. Assembly; 8 Level Priority Interrupt	1 E	103	4-5
1550120	P.C. Assembly; Address Trap	1 F	102	4-6
1550146	P.C. Assembly; Priority Interrupt Terminator	1 A	102	4-7
1550250	P.C. Assembly; Turnkey Control Panel	1 C	102	4-8
1570115	P.C. Assembly; Option Board	1 P	103	4-9
1570125	P.C. Assembly; Programmers Control Panel	1 F	103	4-10
1570127	P.C. Backplane Assembly (18 slot) (4 Layer)	1 D	103	4-11
1570129	P.C. Assembly; Extender Board	1 G	103	4-12
1570149	P.C. Backplane Assembly (18 slot) (5 Layer)	1 G	103	4-13
1570223	P.C. Assembly; Virtual Memory (See Note 1)	1 J	103	4-14
1570236	P.C. Assembly; CPU 1	1 T	103	4-15
1570242	P.C. Assembly; Power Control/Line Clock	1 D	102	4-16
1570244	P.C. Backplane 10 Slot (5 Layer)	1 E	103	4-17
1570249	P.C. Assembly; Backplane Terminator	1 B	102	4-18
1570283	P.C. Assembly; 22 Position Backplane CPU	1 B	103	4-19
1570292	P.C. Assembly; SAU Interface	1 P	103	4-20
1570294	P.C. Assembly; I/O Port (Single)	1 D	103	4-21
1570296	P.C. Assembly; I/O Interface	1 C	103	4-22
1570309	P.C. Assembly; Power Fail Shutdown/Restart	2 F	103	4-23
1570313	P.C. Assembly; MOS Data Save	3 C	103	4-25
1570322	P.C. Assembly; +5V & +12V Calmp (MOS Data Save)	1 A	103	4-28
1570328	P.C. Assembly; Backplane Terminator	1 B	103	4-29
1570334	P.C. Assembly; CPU-1 (See Note 1)	1 L	103	4-30

Note 1: Last 3 digits of PC assembly drawings must correspond to the last 3 digits of number marked on CPU Printed - Circuit Assembly





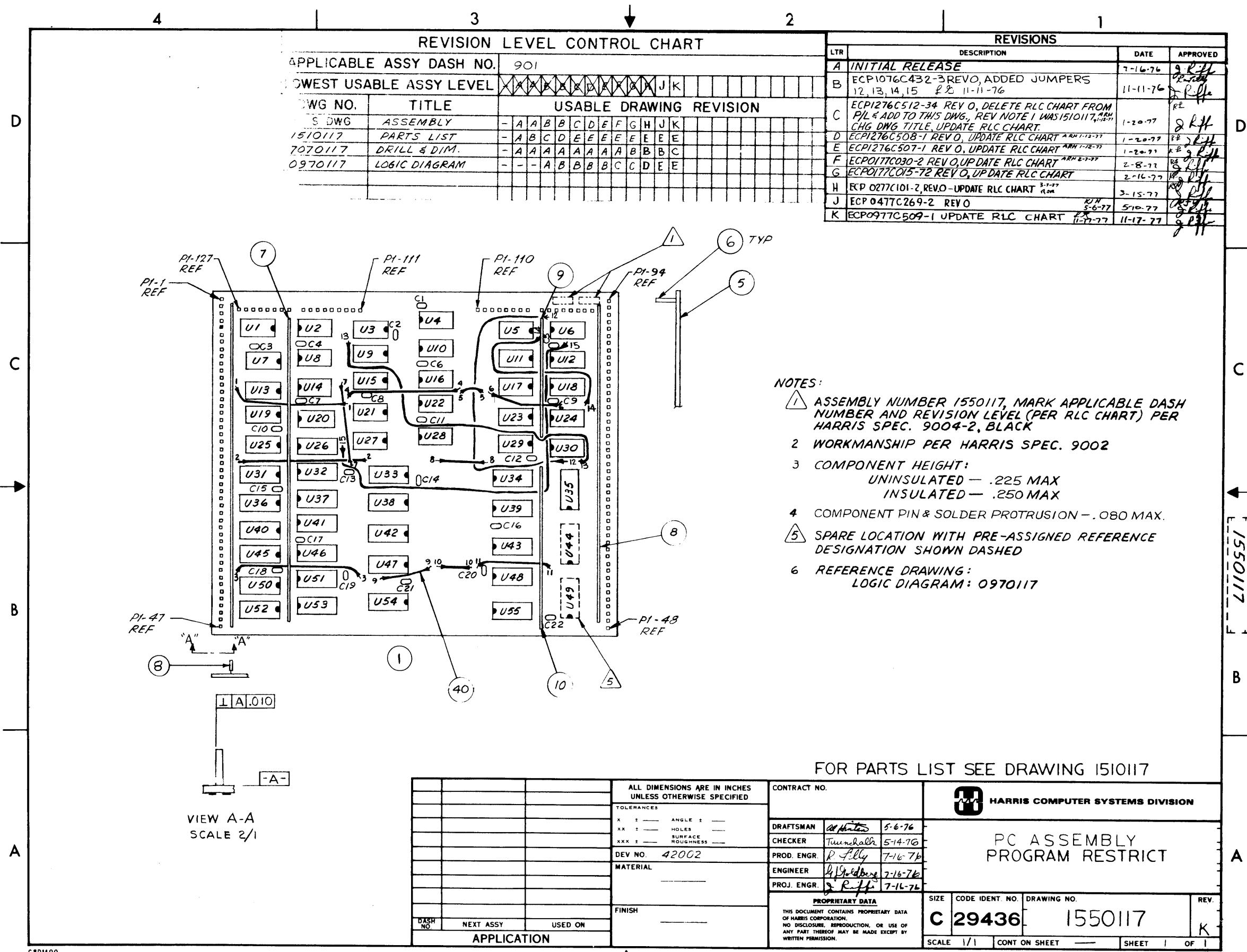
REVISION LEVEL CONTROL CHART									
APPLICABLE ASSY DASH NO.		901							
LOWEST USABLE ASSY LEVEL		A B C D E F G H							
DWG NO.	TITLE	USABLE DRAWING REVISION							
THIS DWG	ASSEMBLY	A	B	C	D	E	F	G	H
1510113	PARTS LIST	A	B	C	D	D	E	E	
7070113	DRILL & DIM.	A	A	A	A	A	B	C	
0970113	LOGIC DIAGRAM	-	-	A	A	B	B	C	

REVISIONS			
LTR	DESCRIPTION	DATE	APPROVED
A	INITIAL RELEASE	6-25-76	JRH
B	ECPI 0776C307-2, REV 0, NOTE 5 WAS .350 & .380. NOW .225 & .250	8-10-76	JRH
C	ECPI 276C512-34 REV 0, REV NOTE 2, ADD RLC CHART & UPDATE, CHANGE TITLE	1-20-77	JRH
D	ECPI 276C509-1 REV 0, UPDATE RLC CHART	1-20-77	JRH
E	ECPO177C028-3 REV 0, UPDATE RLC CHART	2-9-77	JRH
F	ECPO177C015-72 REV 0, UP DATE RLC CHART	2-10-77	JRH
G	REV. PER ECPO877C458-3 UPDATE RLC CHART	U.N.T. 8-31-77 7-16-77	JRH
H	ECPI 0178C036-2 UPDATE RLC CHART	2-16-78 GFL	2-17-78

- NOTES:
- WORKMANSHIP TO BE PER HARRIS SPEC. 9002.
 - ASSEMBLY NUMBER 1550113 MARK APPLICABLE DASH NUMBER AND REVISION LEVEL (PER RLC CHART) PER HARRIS SPEC. 9004-2, BLACK
 - SPARE LOCATION WITH PRE-ASSIGNED REFERENCE DESIGNATION SHOWN DASHED.
 - REFERENCE DRAWING: LOGIC DIAGRAM: 0970113
 - COMPONENT HEIGHT:
UNINSULATED -- .225 MAX
INSULATED -- .250 MAX
 - COMPONENT PIN & SOLDER PROTRUSION -- .080 MAX

FOR PARTS LIST SEE DRAWING 1510113

ALL DIMENSIONS ARE IN INCHES UNLESS OTHERWISE SPECIFIED			CONTRACT NO.		 HARRIS COMPUTER SYSTEMS DIVISION	
TOLERANCES			DRAFTSMAN	DATE		
X ±	ANGLE ±	---	AL. Watson	9-8-76	P.C. ASSEMBLY INTERVAL TIMER	
XX ±	HOLES ±	---	CHECKER	4-15-76		
XXX ±	SURFACE ROUGHNESS	---	PROD. ENGR.	6-25-76		
DEV NO.			ENGINEER	6-25-76		
MATERIAL			PROJ. ENGR.	6-25-76		
FINISH			PROPRIETARY DATA THIS DOCUMENT CONTAINS PROPRIETARY DATA OF HARRIS CORPORATION. NO DISCLOSURE, REPRODUCTION, OR USE OF ANY PART THEREOF MAY BE MADE EXCEPT BY WRITTEN PERMISSION.			
DASH NO.	NEXT ASSY	USED ON	SIZE	CODE IDENT. NO.	DRAWING NO.	REV.
			C	29436	1550113	H
APPLICATION			SCALE	CONT ON SHEET	SHEET	OF
					1	1

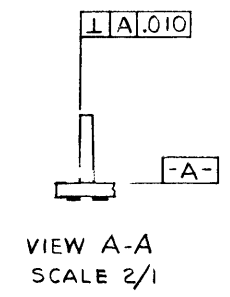


APPLICABLE ASSY DASH NO.		901											
LOWEST USABLE ASSY LEVEL		XXXXXXJJK											
DWG NO.	TITLE	USABLE DRAWING REVISION											
S DWG	ASSEMBLY	-	A	B	B	C	D	E	F	G	H	J	K
1510117	PARTS LIST	-	A	B	C	D	E	E	E	E	E	E	E
7070117	DRILL & DIM.	-	A	A	A	A	A	A	A	B	B	B	C
0970117	LOGIC DIAGRAM	-	-	A	B	B	B	C	C	D	E	E	E

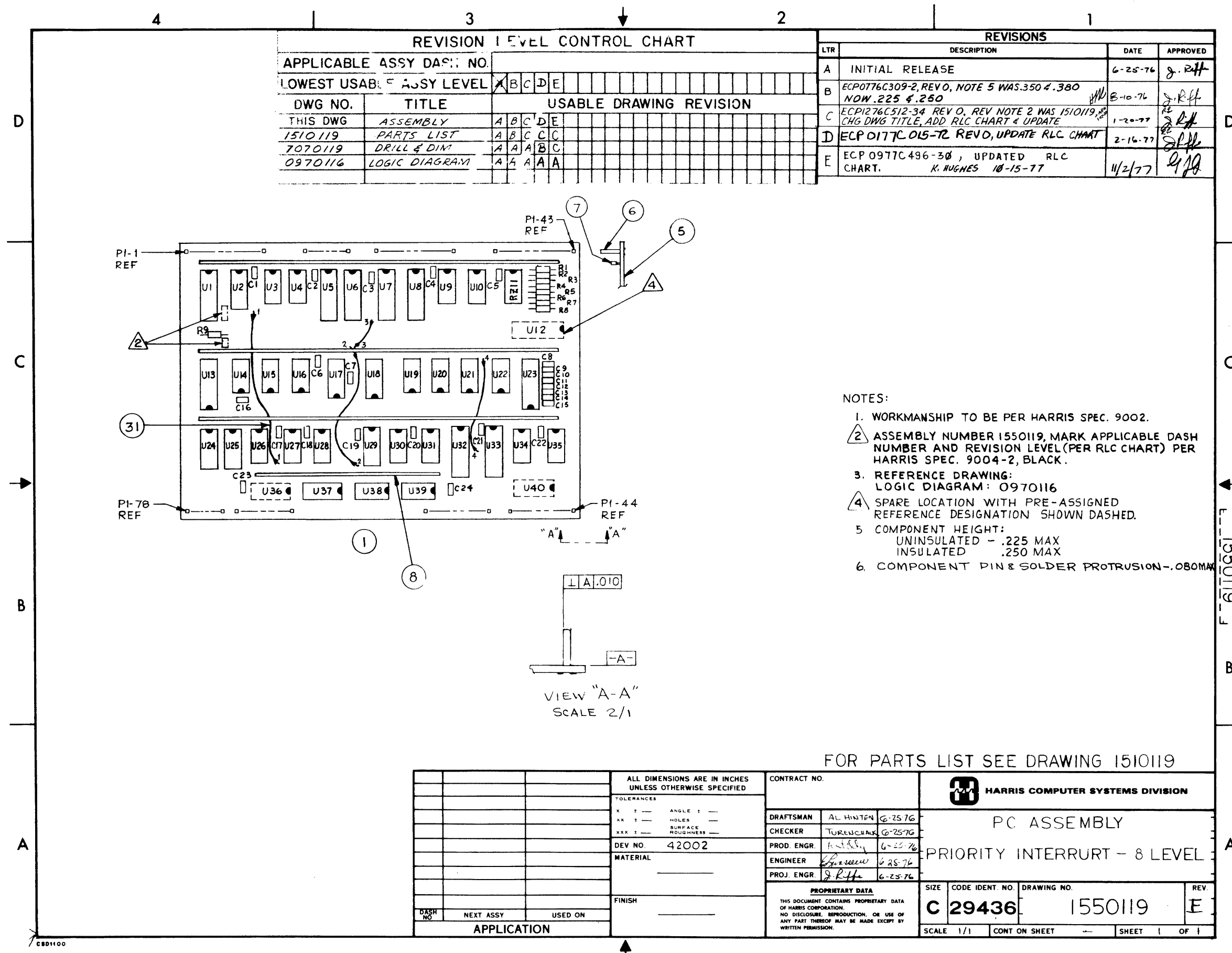
REVISIONS			
LTR	DESCRIPTION	DATE	APPROVED
A	INITIAL RELEASE	7-16-76	<i>[Signature]</i>
B	ECP1076C432-3 REVO, ADDED JUMPERS 12, 13, 14, 15 $\frac{1}{2}$ " 11-11-76	11-11-76	<i>[Signature]</i>
C	ECP1276C512-34 REV O, DELETE RLC CHART FROM P/L & ADD TO THIS DWG., REV NOTE 1 WAS 1510117, ^{ARM} CHG DWG TITLE, UPDATE RLC CHART.	1-20-77	<i>[Signature]</i>
D	ECP1276C508-1 REV O, UPDATE RLC CHART ^{ARM} 1-12-77	1-20-77	<i>[Signature]</i>
E	ECP1276C507-1 REV O, UPDATE RLC CHART ^{ARM} 1-12-77	1-20-77	<i>[Signature]</i>
F	ECP0177C030-2 REV O, UPDATE RLC CHART ^{ARM} 2-7-77	2-8-77	<i>[Signature]</i>
G	ECP0177C015-72 REV O, UPDATE RLC CHART	2-16-77	<i>[Signature]</i>
H	ECP 0277C101-2, REVO-UPDATE RLC CHART ^{ARM}	3-15-77	<i>[Signature]</i>
J	ECP 0477C269-2 REV O	5-6-77	<i>[Signature]</i>
K	ECP0977C509-1 UPDATE RLC CHART ^{ARM}	11-17-77	<i>[Signature]</i>

- NOTES:
- 1 ASSEMBLY NUMBER 1550117, MARK APPLICABLE DASH NUMBER AND REVISION LEVEL (PER RLC CHART) PER HARRIS SPEC. 9004-2, BLACK
 - 2 WORKMANSHIP PER HARRIS SPEC. 9002
 - 3 COMPONENT HEIGHT:
UNINSULATED — .225 MAX
INSULATED — .250 MAX
 - 4 COMPONENT PIN & SOLDER PROTRUSION — .080 MAX.
 - 5 SPARE LOCATION WITH PRE-ASSIGNED REFERENCE DESIGNATION SHOWN DASHED
 - 6 REFERENCE DRAWING:
LOGIC DIAGRAM: 0970117

FOR PARTS LIST SEE DRAWING 1510117



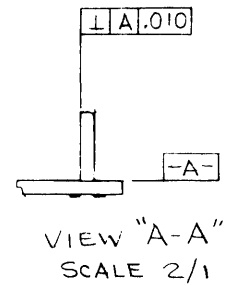
ALL DIMENSIONS ARE IN INCHES UNLESS OTHERWISE SPECIFIED		CONTRACT NO.		HARRIS COMPUTER SYSTEMS DIVISION	
TOLERANCES		DRAFTSMAN <i>[Signature]</i> 5-6-76		PC ASSEMBLY PROGRAM RESTRICT	
X ± — ANGLE ± —	HOLES ± —	CHECKER <i>[Signature]</i> 5-14-76			
XXX ± — SURFACE ROUGHNESS	—	PROD. ENGR. <i>[Signature]</i> 7-16-76		DEV NO. 42002	
MATERIAL		ENGINEER <i>[Signature]</i> 7-16-76		MATERIAL	
FINISH		PROJ. ENGR. <i>[Signature]</i> 7-16-76		PROPRIETARY DATA	
APPLICATION		THIS DOCUMENT CONTAINS PROPRIETARY DATA OF HARRIS CORPORATION. NO DISCLOSURE, REPRODUCTION, OR USE OF ANY PART THEREOF MAY BE MADE EXCEPT BY WRITTEN PERMISSION.		SIZE CODE IDENT. NO. DRAWING NO. REV.	
		C 29436		1550117 K	
		SCALE 1/1		CONT ON SHEET — SHEET 1 OF 1	



REVISION LEVEL CONTROL CHART										
APPLICABLE ASSY DASH NO.										
LOWEST USABLE ASSY LEVEL										
DWG NO.	TITLE	A	B	C	D	E				
THIS DWG	ASSEMBLY	A	B	C	D	E				
1510119	PARTS LIST	A	B	C	C					
7070119	DRILL & DIM	A	A	A	B	C				
0970116	LOGIC DIAGRAM	A	A	A	A	A				

REVISIONS			
LTR	DESCRIPTION	DATE	APPROVED
A	INITIAL RELEASE	6-25-76	J. R. H.
B	ECP0776C309-2, REV 0, NOTE 5 WAS 3504.380 NOW .225 & .250	8-10-76	J. R. H.
C	ECP1276C512-34 REV 0, REV NOTE 2 WAS 1510119, CHG DWG TITLE, ADD RLC CHART & UPDATE	1-20-77	J. R. H.
D	ECP0177C 015-72 REV 0, UPDATE RLC CHART	2-16-77	J. R. H.
E	ECP 0977C 496-30, UPDATED RLC CHART. K. HUGHES 10-15-77	11/2/77	K. H.

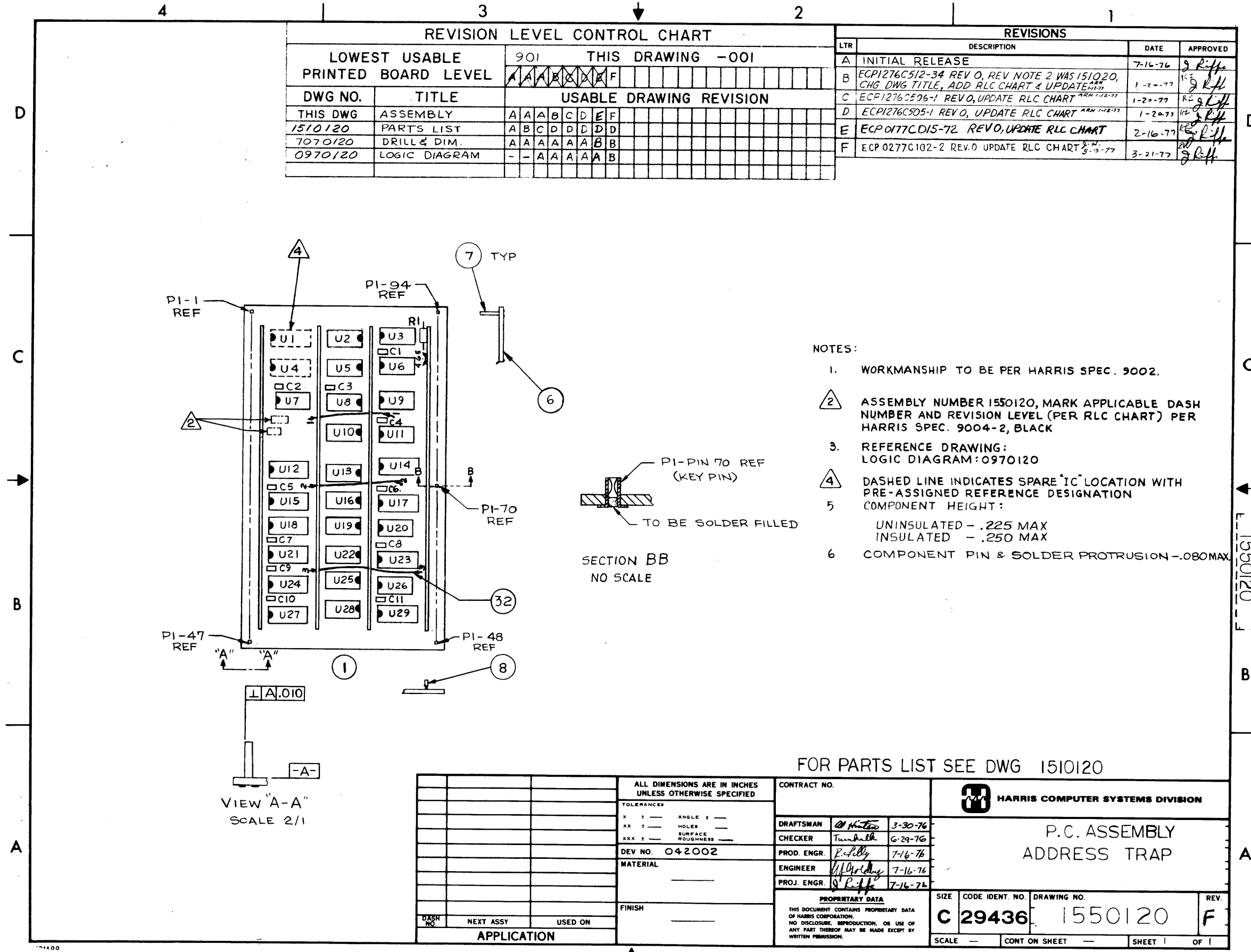
- NOTES:
- WORKMANSHIP TO BE PER HARRIS SPEC. 9002.
 - ASSEMBLY NUMBER 1550119, MARK APPLICABLE DASH NUMBER AND REVISION LEVEL (PER RLC CHART) PER HARRIS SPEC. 9004-2, BLACK.
 - REFERENCE DRAWING: LOGIC DIAGRAM: 0970116
 - SPARE LOCATION WITH PRE-ASSIGNED REFERENCE DESIGNATION SHOWN DASHED.
 - COMPONENT HEIGHT:
UNINSULATED - .225 MAX
INSULATED .250 MAX
 - COMPONENT PIN & SOLDER PROTRUSION - .080 MAX



FOR PARTS LIST SEE DRAWING 1510119

ALL DIMENSIONS ARE IN INCHES UNLESS OTHERWISE SPECIFIED			CONTRACT NO.			HARRIS COMPUTER SYSTEMS DIVISION		
TOLERANCES			DRAFTSMAN AL HINTEN 6-25-76			PC ASSEMBLY		
X ±	ANGLE ±		CHECKER TURECHAK 6-25-76			PRIORITY INTERRUPT - 8 LEVEL		
XX ±	HOLES		PROD. ENGR. 6-25-76			SIZE CODE IDENT. NO. DRAWING NO. REV.		
XXX ±	SURFACE ROUGHNESS		ENGINEER 6-25-76			C 29436 1550119 E		
DEV NO. 42002			PROJ. ENGR. J. R. H. 6-25-76			SCALE 1/1 CONT ON SHEET SHEET 1 OF 1		
MATERIAL			PROPRIETARY DATA					
FINISH			THIS DOCUMENT CONTAINS PROPRIETARY DATA OF HARRIS CORPORATION. NO DISCLOSURE, REPRODUCTION, OR USE OF ANY PART THEREOF MAY BE MADE EXCEPT BY WRITTEN PERMISSION.					
DASH NO.	NEXT ASSY	USED ON						
APPLICATION								

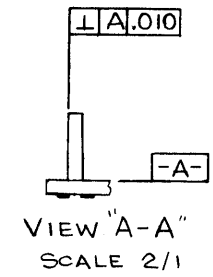
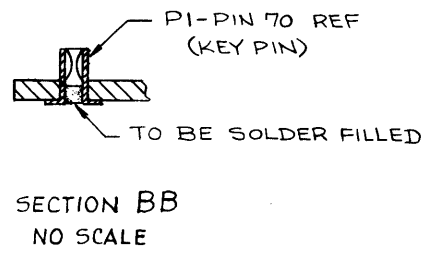
CSD1100



REVISION LEVEL CONTROL CHART		901 THIS DRAWING -001															
LOWEST USABLE PRINTED BOARD LEVEL		A	A	A	B	C	D	E	F								
DWG NO.	TITLE	USABLE DRAWING REVISION															
THIS DWG	ASSEMBLY	A	A	A	B	C	D	E	F								
1510120	PARTS LIST	A	B	C	D	D	D	D	D								
7070120	DRILL & DIM.	A	A	A	A	A	A	B	B								
0970120	LOGIC DIAGRAM	-	-	A	A	A	A	B	B								

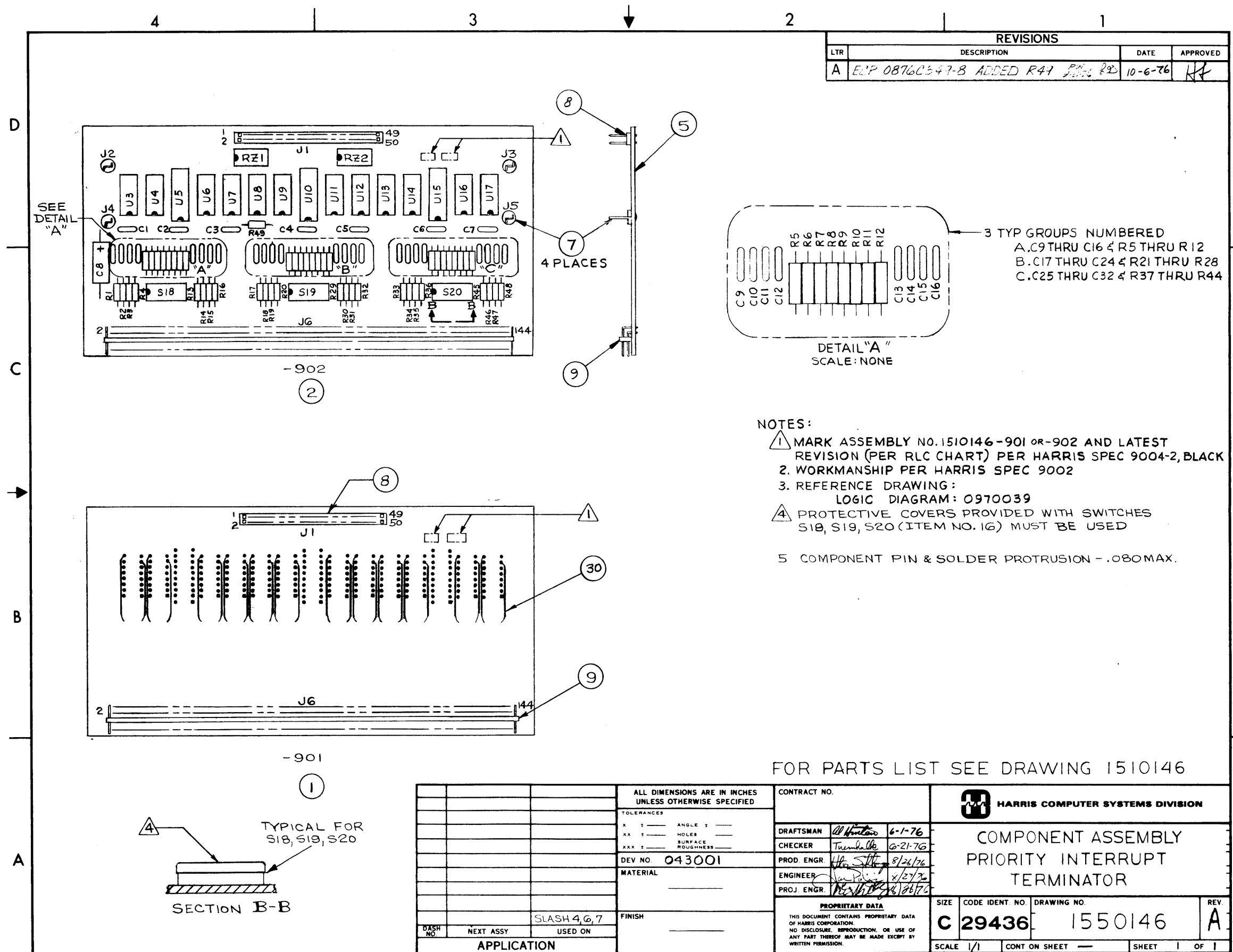
REVISIONS			
LTR	DESCRIPTION	DATE	APPROVED
A	INITIAL RELEASE	7-16-76	<i>J. R. H.</i>
B	ECPI276C512-34 REV 0, REV NOTE 2 WAS 1510120, CHG DWG TITLE, ADD RLC CHART & UPDATE	1-2-77	<i>J. R. H.</i>
C	ECPI276C506-1 REV 0, UPDATE RLC CHART	1-20-77	<i>J. R. H.</i>
D	ECPI276C505-1 REV 0, UPDATE RLC CHART	1-20-77	<i>J. R. H.</i>
E	ECPO177C015-72 REV 0, UPDATE RLC CHART	2-16-77	<i>J. R. H.</i>
F	ECP0277C102-2 REV 0 UPDATE RLC CHART	3-21-77	<i>J. R. H.</i>

- NOTES:
- WORKMANSHIP TO BE PER HARRIS SPEC. 9002.
 - ASSEMBLY NUMBER 1550120, MARK APPLICABLE DASH NUMBER AND REVISION LEVEL (PER RLC CHART) PER HARRIS SPEC. 9004-2, BLACK
 - REFERENCE DRAWING: LOGIC DIAGRAM: 0970120
 - DASHED LINE INDICATES SPARE 'IC' LOCATION WITH PRE-ASSIGNED REFERENCE DESIGNATION
 - COMPONENT HEIGHT:
UNINSULATED - .225 MAX
INSULATED - .250 MAX
 - COMPONENT PIN & SOLDER PROTRUSION -.080 MAX

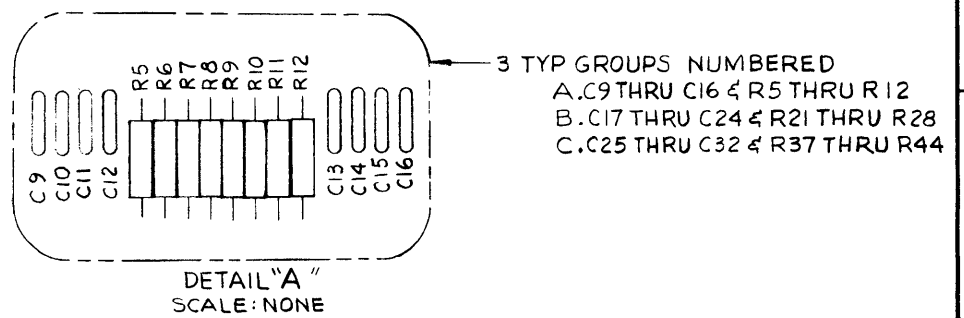


FOR PARTS LIST SEE DWG 1510120

ALL DIMENSIONS ARE IN INCHES UNLESS OTHERWISE SPECIFIED		CONTRACT NO.		HARRIS COMPUTER SYSTEMS DIVISION	
TOLERANCES	ANGLE	DRAFTSMAN	3-30-76	P.C. ASSEMBLY ADDRESS TRAP	
X ± —	—	CHECKER	6-29-76		
XX ± —	HOLES	PROD. ENGR.	7-16-76		
XXX ± —	SURFACE ROUGHNESS	ENGINEER	7-16-76		
		PROJ. ENGR.	7-16-76		
DEV NO. 042002	MATERIAL	PROPRIETARY DATA		SIZE	CODE IDENT. NO.
		THIS DOCUMENT CONTAINS PROPRIETARY DATA OF HARRIS CORPORATION. NO DISCLOSURE, REPRODUCTION, OR USE OF ANY PART THEREOF MAY BE MADE EXCEPT BY WRITTEN PERMISSION.		C	29436
DASH NO.	NEXT ASSY	USED ON	FINISH	DRAWING NO.	REV.
				1550120	F
APPLICATION			SCALE	CONT ON SHEET	SHEET 1 OF 1

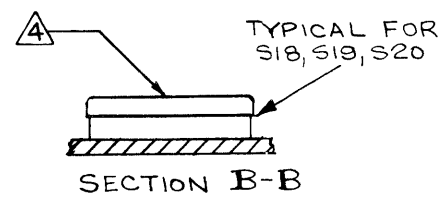


REVISIONS			
LTR	DESCRIPTION	DATE	APPROVED
A	ELP 0876C347-B ADDED R49 PIN 22	10-6-76	HT



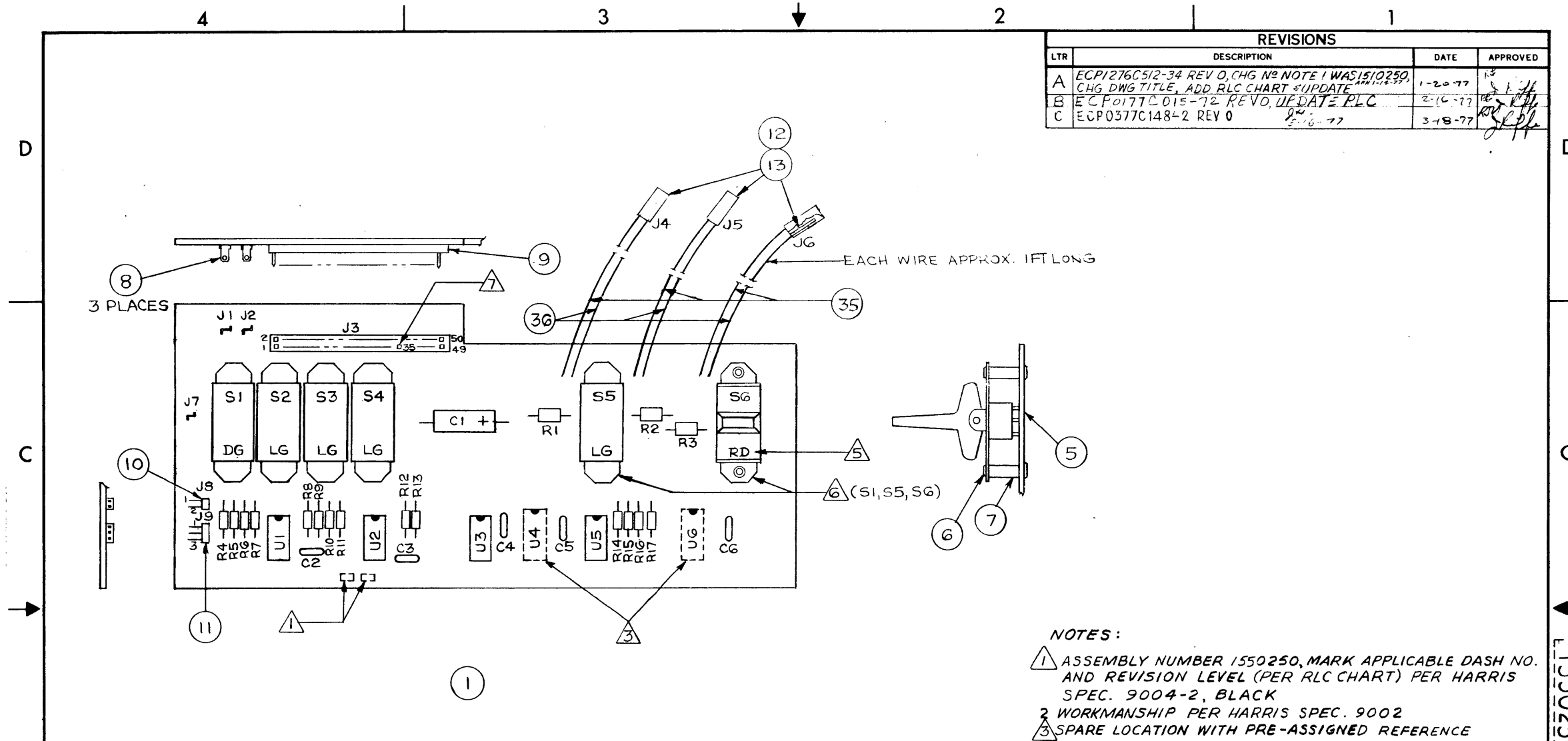
- NOTES:
- 1 MARK ASSEMBLY NO. 1510146-901 OR-902 AND LATEST REVISION (PER RLC CHART) PER HARRIS SPEC 9004-2, BLACK
 - 2. WORKMANSHIP PER HARRIS SPEC 9002
 - 3. REFERENCE DRAWING:
LOGIC DIAGRAM: 0970039
 - 4 PROTECTIVE COVERS PROVIDED WITH SWITCHES S18, S19, S20 (ITEM NO. 16) MUST BE USED
 - 5 COMPONENT PIN & SOLDER PROTRUSION - .080 MAX.

FOR PARTS LIST SEE DRAWING 1510146



ALL DIMENSIONS ARE IN INCHES UNLESS OTHERWISE SPECIFIED		CONTRACT NO.			
TOLERANCES		DRAFTSMAN <i>W. Hunter</i> 6-1-76 CHECKER <i>Tremblay</i> 6-21-76 PROD. ENGR <i>H. S. King</i> 8/26/76 ENGINEER <i>W. P. King</i> 8/27/76 PROJ. ENGR <i>W. P. King</i> 8/28/76			
X ±	ANGLE ±	DEV NO. 043001		COMPONENT ASSEMBLY PRIORITY INTERRUPT TERMINATOR	
XX ±	HOLE	MATERIAL			
XXX ±	SURFACE ROUGHNESS	FINISH		SIZE C 29436 CODE IDENT. NO. 1550146 DRAWING NO. A	
DASH NO.		APPLICATION		SCALE 1/1 CONT ON SHEET — SHEET 1 OF 1	

REVISIONS			
LTR	DESCRIPTION	DATE	APPROVED
A	ECPI276C512-34 REV 0, CHG NO NOTE 1 WAS 1510250, CHG DWG TITLE, ADD RLC CHART & UPDATE	1-20-77	[Signature]
B	ECF0177C015-72 REV 0, UPDATE PLC	2-16-77	[Signature]
C	ECF0377C148-2 REV 0	3-18-77	[Signature]



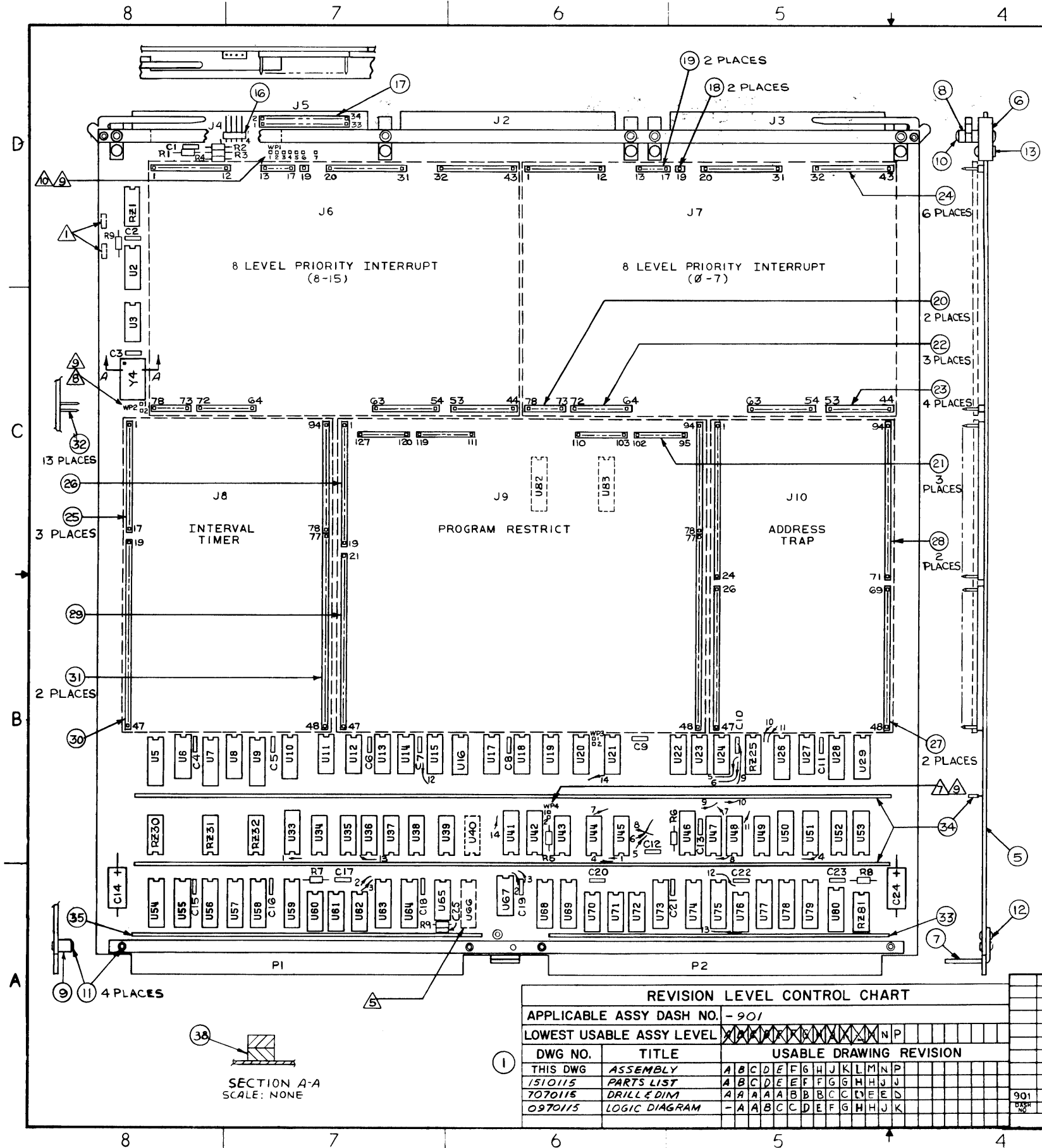
- NOTES:**
- ① ASSEMBLY NUMBER 1550250, MARK APPLICABLE DASH NO. AND REVISION LEVEL (PER RLC CHART) PER HARRIS SPEC. 9004-2, BLACK
 - ② WORKMANSHIP PER HARRIS SPEC. 9002
 - ③ SPARE LOCATION WITH PRE-ASSIGNED REFERENCE DESIGNATION SHOWN DASHED
 - ④ REFERENCE DRAWING:
LOGIC DIAGRAM: 0970250
 - ⑤ DESIGNATIONS: DG, LG, RD INDICATE SWITCH LEVER COLORS, DARK GRAY, LIGHT GRAY & RED
 - ⑥ INDICATES DIRECTION OF MOMENTARY ACTION OF SWITCH
 - ⑦ CLIP PIN NO. 35 FROM J3 (ITEM NO. 9) BEFORE INSTALLATION. TO DETERMINE PIN LOCATION USE PC BOARD MARKING AS A GUIDE

REVISION LEVEL CONTROL CHART			
APPLICABLE ASSY DASH NO.	-901		
LOWEST USABLE ASSY LEVEL	X	X	C
DWG NO.	TITLE	USABLE DRAWING REVISION	
THIS DWG	ASSEMBLY	-A	B C
1510250	PARTS LIST	-A	A A
7070250	DRILL & DIM	-A	B B
0970250	LOGIC DIAGRAM	-	- A

FOR PARTS LIST SEE DRAWING 1510250

<p>ALL DIMENSIONS ARE IN INCHES UNLESS OTHERWISE SPECIFIED</p> <p>TOLERANCES</p> <p>X ± — ANGLE ± —</p> <p>XX ± — HOLES —</p> <p>XXX ± — SURFACE ROUGHNESS —</p> <p>DEV NO. 042002</p> <p>MATERIAL —</p> <p>FINISH —</p>	CONTRACT NO.		HARRIS COMPUTER SYSTEMS DIVISION	
	DRAFTSMAN	<i>[Signature]</i>	8-3-76	P.C. ASSEMBLY TURNKEY CONTROL PANEL
	CHECKER	<i>[Signature]</i>	8-6-76	
	PROD. ENGR.	<i>[Signature]</i>	8-6-76	
ENGINEER	<i>[Signature]</i>	8-6-76		
PROJ. ENGR.	<i>[Signature]</i>	8-6-76	PROPRIETARY DATA THIS DOCUMENT CONTAINS PROPRIETARY DATA OF HARRIS CORPORATION. NO DISCLOSURE, REPRODUCTION, OR USE OF ANY PART THEREOF MAY BE MADE EXCEPT BY WRITTEN PERMISSION.	SIZE CODE IDENT. NO. DRAWING NO. REV. C 29436 1550250 C
DASH NO.	NEXT ASSY USED ON	SCALE 1/1		CONT ON SHEET — SHEET 1 OF 1

CSD1100



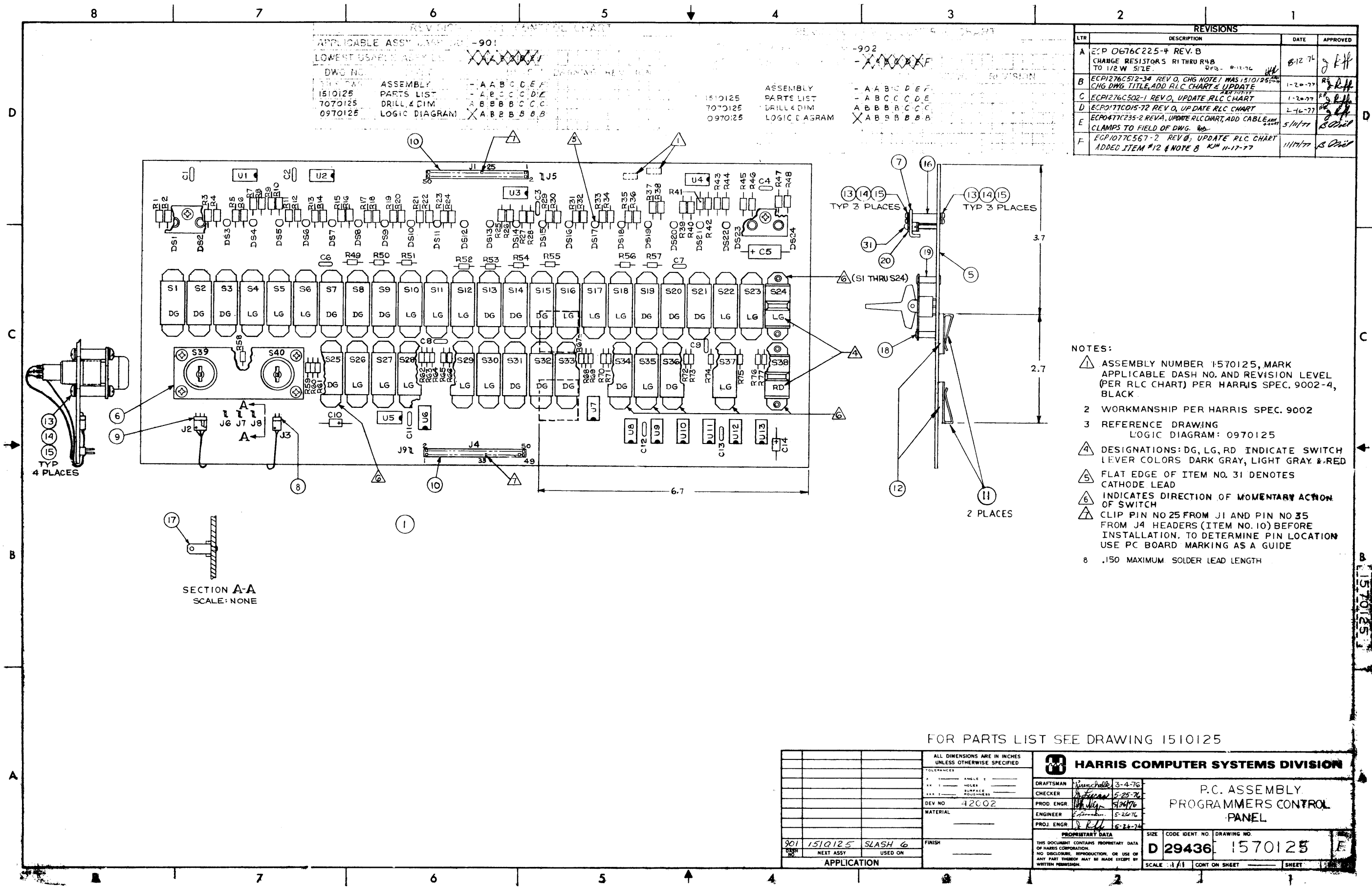
REVISIONS				REVISIONS			
LTR	DESCRIPTION	DATE	APPROVED	LTR	DESCRIPTION	DATE	APPROVED
N	ECP 1177C661-3 UPDATED RLC CHART, CHANGE U65 TO 14 PIN CONFIGURATION ADD R9 & C25 29 DEC 77 W. JAE	12-29-77	[Signature]	A	INITIAL RELEASE	7-30-76	[Signature]
P	ECP 1277C696-2 UPDATED RLC CHART	1-16-78	[Signature]	B	ECP 1077C430-3, REV C, J C CHART UPDATED, ITEMS 33 & 35 REVERSED, IC SOCKET ADDED AND NOTE 11	1-11-77	[Signature]
				C	ECP 1277C512-34 REV. REV NOTE 1 WAS 1510115, CHG TITLE, ADD RLC CHARTS AND REVERSE ITEM 33 & 35	1-20-77	[Signature]
				D	ECP 0177C001-3 REV. Q, UPDATE RLC CHART, REV JUMPER CON. CHART, ARN 2-17-77	2-9-77	[Signature]
				E	ECP 0177C029-3 REV. Q, DELETE -902, UPDATE RLC CHART, ARN 2-16-77	2-18-77	[Signature]
				F	ECP 0177C015-72 UPDATE RLC CHART, ARN 2-25-77	2-25-77	[Signature]
				G	ECP 0177C048-4, REV. Q - UPDATE RLC CHART, 3P, CHANGE U16 FROM "SPARE" TO "USED"	3-14-77	[Signature]
				H	ECP 0377C151-2 REV. Q UPDATED RLC CHART, ARN 3-24-77	3-24-77	[Signature]
				J	ECP 0377C209-4 REV. A, LMO NOW SPARE, UPDATE RLC CHART, ARN 4-28-77	5-3-77	[Signature]
				K	ECP 0477C270-2 REV. Q, UPDATED RLC CHART, ARN 5-7-77	5-10-77	[Signature]
				L	ECP 0777C383, UPDATED RLC CHART, ADD JUMPERS 1 THRU 14, SPARES U82, U83, R9 AND U65, ARN 12-14-77	12-14-77	[Signature]
				M	ECP 0977C496-30 RLC CHART UPDATED, ARN 12-14-77		[Signature]

- NOTES:
- 1 ASSEMBLY NUMBER 1570115, MARK APPLICABLE DASH NUMBER AND REVISION LEVEL (PER RLC CHART) PER HARRIS SPEC. 9004-2, BLACK
 - 2 WORKMANSHIP PER HARRIS SPEC. 9002
 - 3 COMPONENT HEIGHT:
UNINSULATED -.350 MAX
INSULATED -.380 MAX
 - 4 COMPONENT PIN & SOLDER PROTRUSION - .080 MAX
 - 5 SPARE LOCATION WITH PRE-ASSIGNED REFERENCE DESIGNATION SHOWN DASHED
 - 6 REFERENCE DRAWING:
LOGIC DIAGRAM: 0970115
 - 7 FOR DISABLE STALL ALARM CONNECT JUMPER WP4-1 TO WP4-2
 - 8 FOR INTERVAL TIMER OPTION CONNECT JUMPER WP2-1 TO WP2-2
 - 9 USE ITEM NO. 90 FOR ALL JUMPER CONNECTIONS TO WIREWRAP PINS
 - 10 JUMPER CONNECTION CHART
- | 0-7 LEVEL IN | 8-15 LEVEL IN | WPI-1 TO | WPI-2 TO | WPI-3 TO | WPI-4 TO |
|--------------|---------------|----------|----------|----------|----------|
| NO | NO | WPI-6 | WPI-5 | --- | --- |
| NO | YES | --- | --- | WPI-6 | WPI-5 |
| YES | NO | WPI-3 | WPI-4 | --- | --- |
| YES | YES | --- | --- | --- | --- |
- 11 PROGRAM RESTRICT OPERATION JUMPER WP3-1 TO WP3-2

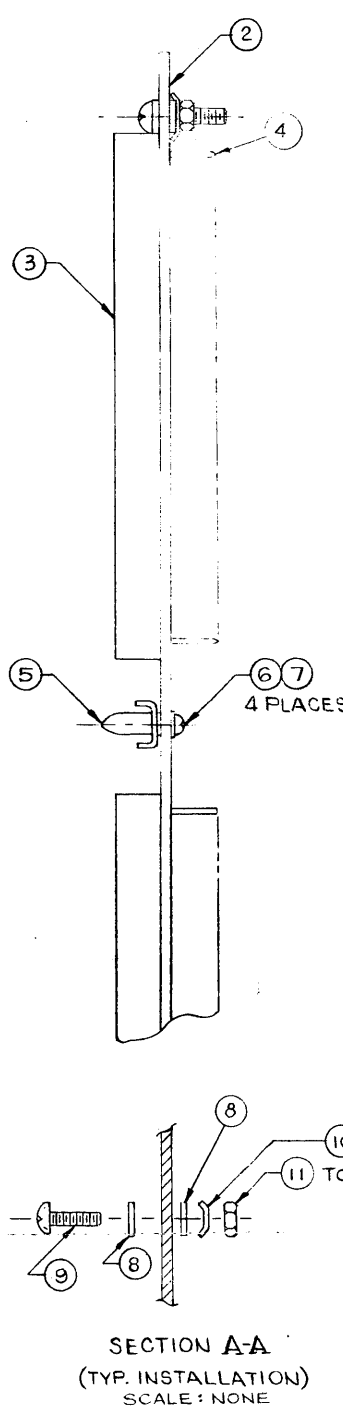
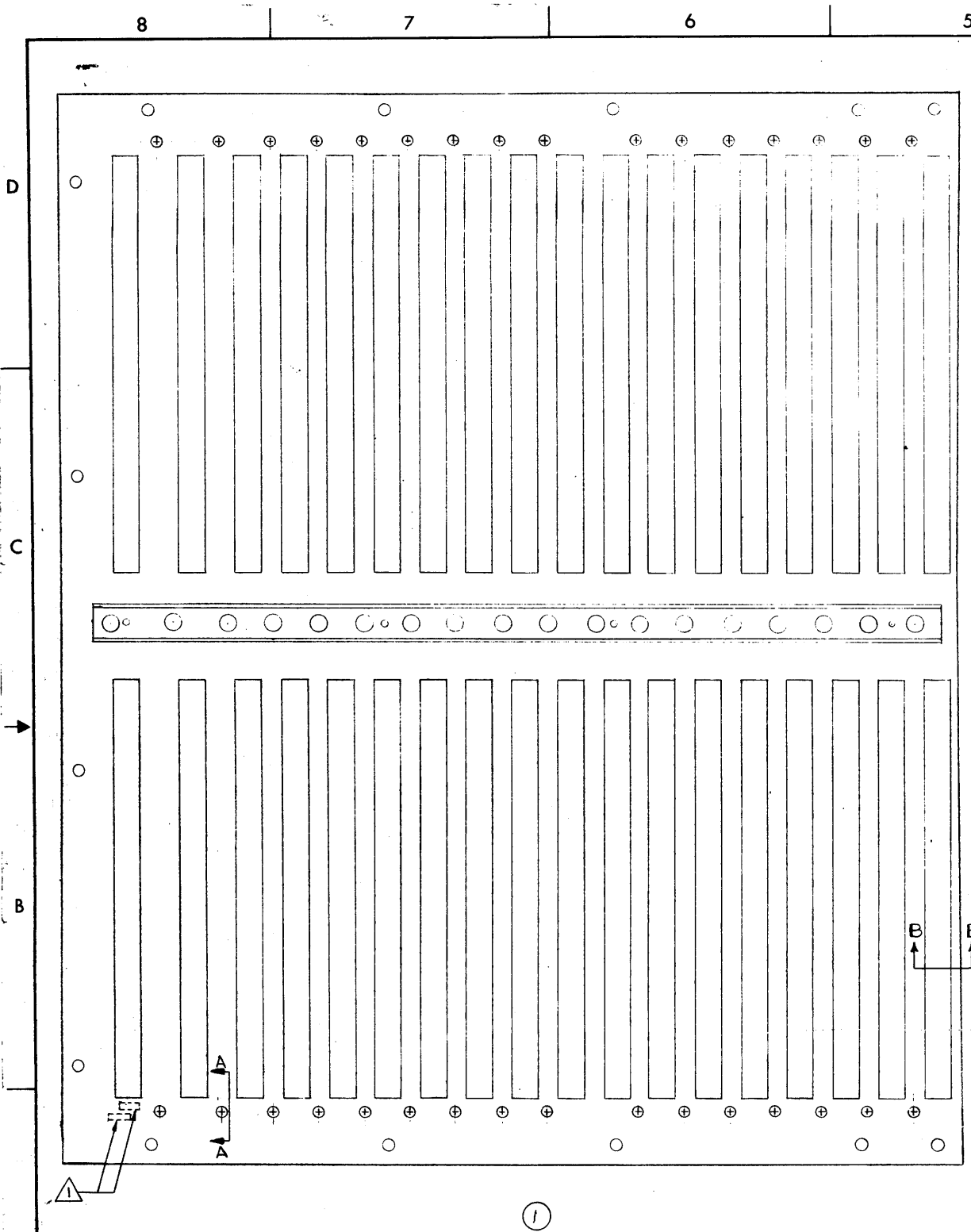
FOR PARTS LIST SEE DRAWING 1510115

REVISION LEVEL CONTROL CHART															
APPLICABLE ASSY DASH NO. - 901															
LOWEST USABLE ASSY LEVEL X X X X X X X X X X X X N P															
DWG NO.	TITLE	USABLE DRAWING REVISION													
THIS DWG	ASSEMBLY	A	B	C	D	E	F	G	H	J	K	L	M	N	P
1510115	PARTS LIST	A	B	C	D	E	F	G	H	J	K	L	M	N	P
7070115	DRILL & DIM	A	A	A	A	B	B	B	C	C	D	E	E	E	E
0970115	LOGIC DIAGRAM	-	A	A	B	C	D	E	F	G	H	H	J	K	

ALL DIMENSIONS ARE IN INCHES UNLESS OTHERWISE SPECIFIED				HARRIS COMPUTER SYSTEMS DIVISION			
DRAFTSMAN	TURENCHALK	7-27-76		P.C. ASSEMBLY OPTION BOARD			
CHECKER	[Signature]	7-30-76					
DEV NO							
MATERIAL							
ENGINEER	[Signature]	7-30-76					
PROJ ENGR	[Signature]	7-30-76					
PROPRIETARY DATA				SIZE	CODE IDENT NO	DRAWING NO	REV
THIS DOCUMENT CONTAINS PROPRIETARY DATA OF HARRIS CORPORATION. NO DISCLOSURE, REPRODUCTION, OR USE OF ANY PART THEREOF MAY BE MADE EXCEPT BY WRITTEN PERMISSION.				D	29436	1570115	P
APPLICATION				SCALE	1/1	CONT ON SHEET	SHEET



ALL DIMENSIONS ARE IN INCHES UNLESS OTHERWISE SPECIFIED		HARRIS COMPUTER SYSTEMS DIVISION	
TOLERANCES:		DRAFTSMAN: <i>[Signature]</i> 3-4-76	
.010 ANGLE		CHECKER: <i>[Signature]</i> 5-25-76	
.005 HOLE		PROD ENGR: <i>[Signature]</i> 5-24-76	
.005 SURFACE FINISH		ENGINEER: <i>[Signature]</i> 5-26-76	
DEV NO: 42002		PROJ ENGR: <i>[Signature]</i> 6-26-74	
MATERIAL:		PROPRIETARY DATA	
FINISH:		THIS DOCUMENT CONTAINS PROPRIETARY DATA OF HARRIS CORPORATION. NO DISCLOSURE, REPRODUCTION, OR USE OF ANY PART THEREOF MAY BE MADE EXCEPT BY WRITTEN PERMISSION.	
301	1510125	SLASH 6	SIZE CODE IDENT NO. DRAWING NO.
NEXT ASSY USED ON:		D 29436 1570125	
APPLICATION:		SCALE: 1:1 CONT. ON SHEET SHEET	



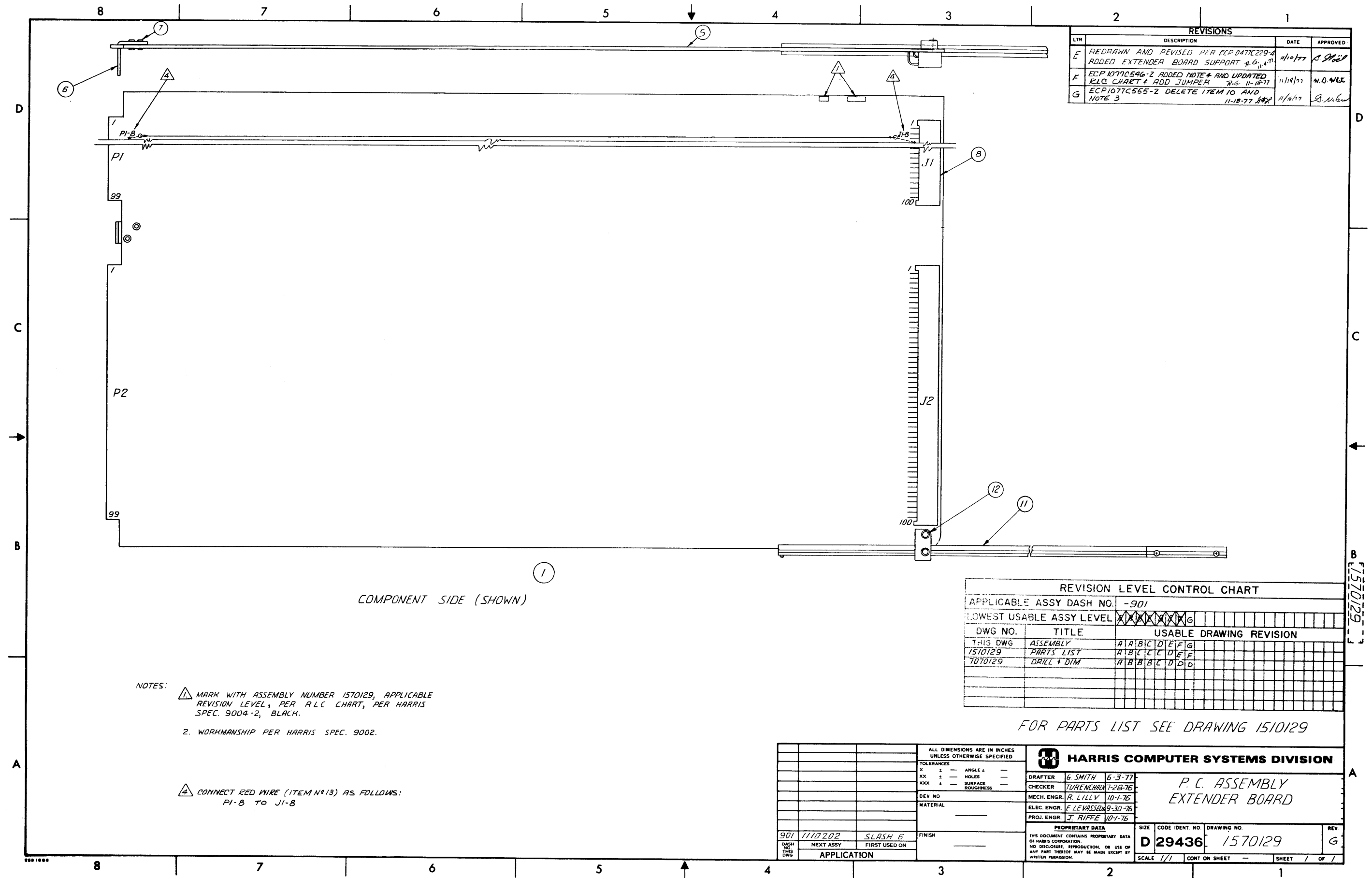
REVISIONS			
LTR	DESCRIPTION	DATE	APPROVED
A	REV PER ECP 0176C-313-2 REV 0 UP-DATED RLC CHART	2-23-78	J. L. H.
B	ECP 1176C-465-3, REV 0, ITEM 10, PART NO CHANGED. P.L.C. CHART UP DATED.	12-7-76	EA X
C	REV PER ECP 1271C-697-5 ITEM 8 WAS 2810101-006 WASHER, SM. PAT. #8	2-8-78	AFB
D	ECP 0176C-313, REV RLC CHART, ITEM 10 WAS PT. NO. 310031-002, DESCRIPTION - WASHER, SM. PAT. #8	2-23-78	J. L. H.

REVISION LEVEL CONTROL CHART	
APPLICABLE ASSY DASH NO.	901
LOWEST USABLE ASSY LEVEL	X B C D
DWG NO.	TITLE
THIS DWG	ASSEMBLY
7070127	DRILL & DIM

ITEM NO	QTY	REQD	CODE	HARRIS IDENT	PART NO.	DESCRIPTION
12						
11		32			2810093-004	NUT, HEX, # 8-32
10		32			3110018-003	SPRING, WASHER
9		32			2810123-209	SCREW, PAN HD, PHIL, # 8-32 x 3/4
8		64			2810137-004	WASHER, FLAIN #8
7		4			2810127-205	SCREW, PAN HD, PHIL, SLF TAP # (138) x 3/8
6		4			2810101-004	WASHER, FLAT, SM. PAT. #6
5		1			1230101-903	STIFFENER ASSY
4		3600			2110016-002	CONTACT
3		36			2110016-001	CONNECTOR, 50 DUAL POS.
2		1			7070127-001	DRILL & DIM., BACKPLANE ASSY, 16 SLOT
1		X			THIS DWG.	BACKPLANE ASSY, 16 SLOT

NOTES:
 1. ASSEMBLY NO. 1570127, MARK APPLICABLE DASH NO. AND REVISION LEVEL (PER RLC CHART) PER HARRIS SPEC 9004-2, BLACK.
 2. WORKMANSHIP TO BE PER HARRIS SPEC. 9002.

ALL DIMENSIONS ARE IN INCHES UNLESS OTHERWISE SPECIFIED		HARRIS COMPUTER SYSTEMS DIVISION	
TOLERANCES		DRAFTSMAN	3-29-76
± .010	ANGLE ± .005	CHECKER	4-15-76
± .005	HOLE ± .005	PROD ENGR	5-24-76
± .002	SURFACE ± .005	ENGINEER	5-26-76
± .001	ROUNDED ± .005	PROJ ENGR	5-26-76
DEVT NO.		PROPRIETARY DATA THIS DOCUMENT CONTAINS PROPRIETARY DATA OF HARRIS CORPORATION. NO DISCLOSURE, REPRODUCTION, OR USE OF ANY PART THEREOF MAY BE MADE EXCEPT BY WRITTEN PERMISSION.	
MATERIAL		SIZE	CODE IDENT. NO.
		D	29436
FINISH		DRAWING NO.	1570127
		REV.	D
APPLICATION		SCALE	1/1
		CONT ON SHEET	1
		SHEET	1
		OF	1



REVISIONS			
LTR	DESCRIPTION	DATE	APPROVED
E	REDRAWN AND REVISED PER ECP 0477C29-2 ADDED EXTENDER BOARD SUPPORT R.G. 11-4-77	11/10/77	S. J. Smith
F	ECP 1077C546-2 ADDED NOTE + AND UPDATED ELC CHART + ADD JUMPER R.G. 11-18-77	11/18/77	M.D. WILK
G	ECP 1077C555-2 DELETE ITEM 10 AND NOTE 3 11-18-77 R.G.	11/18/77	S. J. Smith

COMPONENT SIDE (SHOWN)

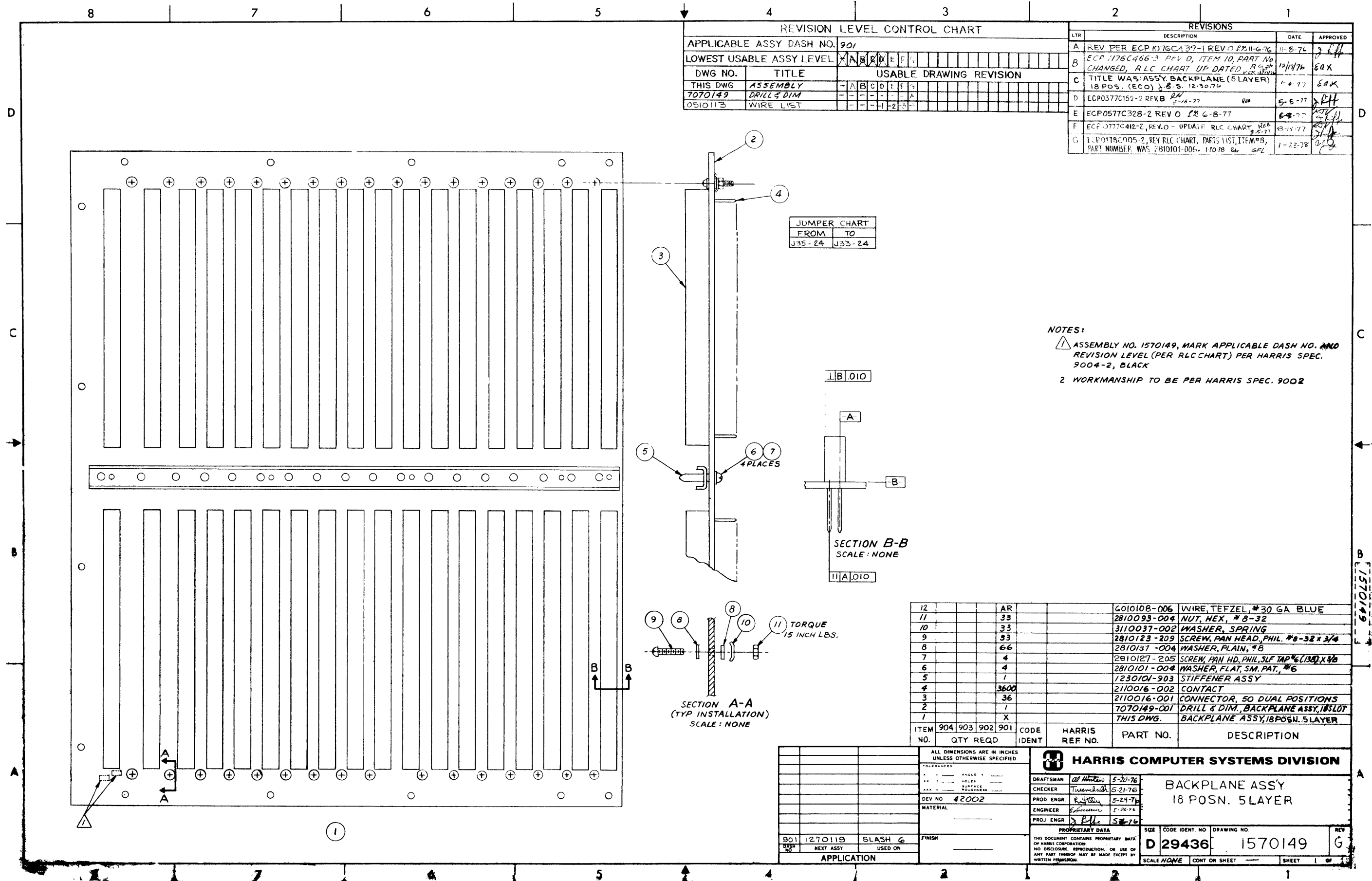
NOTES:
 1. MARK WITH ASSEMBLY NUMBER 1570129, APPLICABLE REVISION LEVEL, PER RLC CHART, PER HARRIS SPEC. 9004-2, BLACK.
 2. WORKMANSHIP PER HARRIS SPEC. 9002.

4. CONNECT RED WIRE (ITEM #13) AS FOLLOWS:
 PI-B TO JI-B

REVISION LEVEL CONTROL CHART	
APPLICABLE ASSY DASH NO.	-901
LOWEST USABLE ASSY LEVEL	X X X X X X X X G
DWG NO.	TITLE
1570129	ASSEMBLY
7070129	PARTS LIST
	DRILL & DIM

FOR PARTS LIST SEE DRAWING 1570129

ALL DIMENSIONS ARE IN INCHES UNLESS OTHERWISE SPECIFIED		HARRIS COMPUTER SYSTEMS DIVISION	
TOLERANCES	ANGLE ±	DRAFTER	G. SMITH 6-3-77
X ±	HOLES	CHECKER	TURENCHAK 7-28-76
XX ±	SURFACE ROUGHNESS	MECH. ENGR.	R. LILLY 10-1-76
XXX ±		ELEC. ENGR.	E. LEVASSOR 9-30-76
		PROJ. ENGR.	J. RIFFE 10-1-76
DEV NO	MATERIAL	PROPRIETARY DATA THIS DOCUMENT CONTAINS PROPRIETARY DATA OF HARRIS CORPORATION. NO DISCLOSURE, REPRODUCTION, OR USE OF ANY PART THEREOF MAY BE MADE EXCEPT BY WRITTEN PERMISSION.	
901	1110202 SLASH 6	SIZE	D 29436
DASH NO.	NEXT ASSY	CODE IDENT NO	1570129
	APPLICATION	DRAWING NO	
		SCALE	1/1
		CONT ON SHEET	
		SHEET	1 OF 1



REVISION LEVEL CONTROL CHART									
APPLICABLE ASSY DASH NO.	901								
LOWEST USABLE ASSY LEVEL	X	A	B	C	D	E	F	G	
DWG NO.	TITLE	USABLE DRAWING REVISION							
THIS DWG	ASSEMBLY	-	A	B	C	D	E	F	G
7070149	DRILL & DIM	-	-	-	-	-	-	-	-
0510113	WIRE LIST	-	-	-	-	-	-	-	-

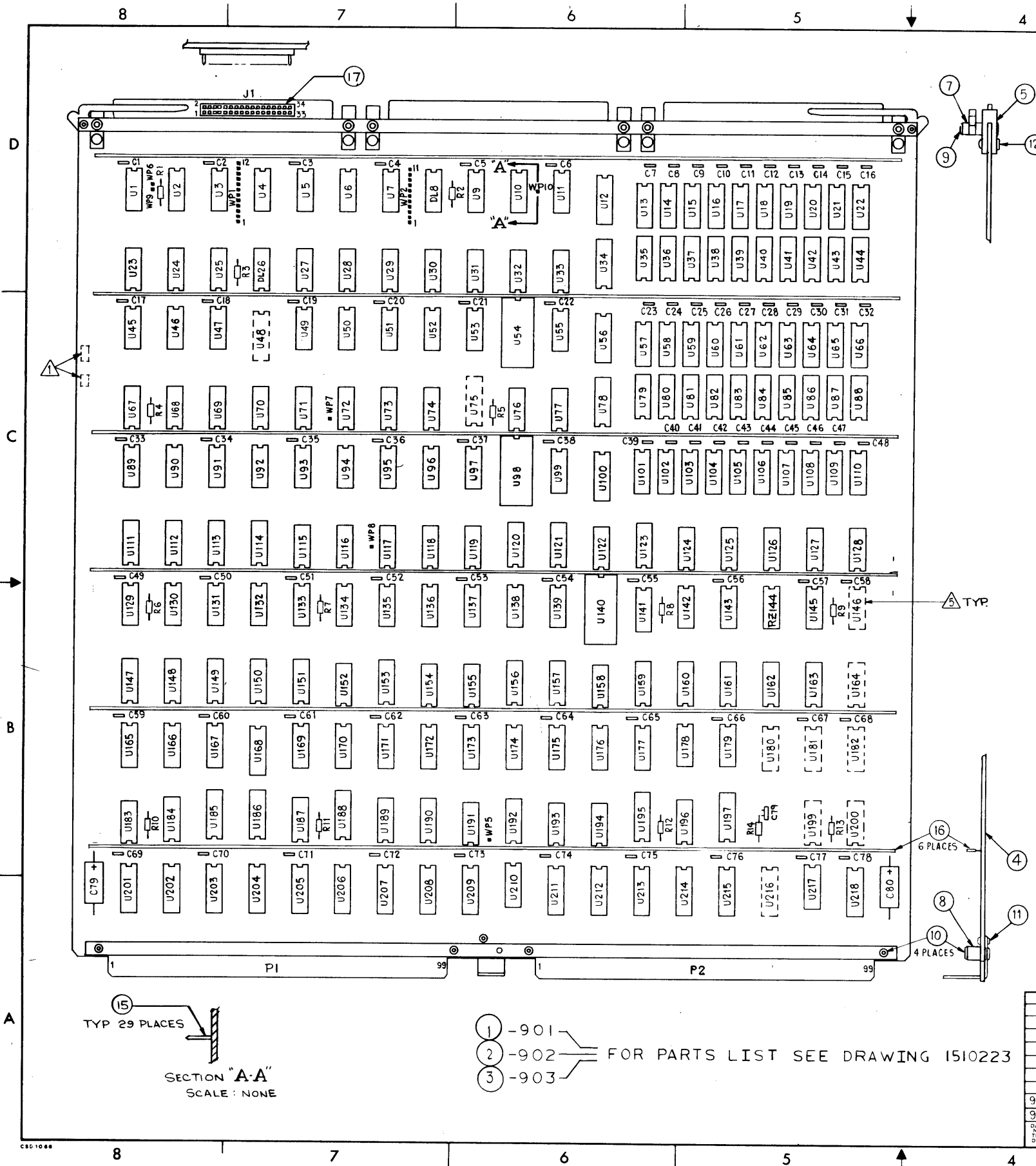
REVISIONS			
LTR	DESCRIPTION	DATE	APPROVED
A	REV PER ECP1076CA39-1 REV O 12-11-76	11-8-76	[Signature]
B	ECP 1176C466-3 REV O, ITEM 10, PART NO CHANGED, RLC CHART UP DATED 12/17/76	12/17/76	GAH
C	TITLE WAS: ASSY BACKPLANE (5 LAYER) 18 POS. (ECO) 8.3. 12-30-76	1-6-77	GAH
D	ECP0377C152-2 REV B 2/16-77	5-5-77	[Signature]
E	ECP0577C328-2 REV O 12-6-8-77	6-9-77	[Signature]
F	ECP0777C412-2, REV O - UPDATE RLC CHART 2-5-77	2-5-77	[Signature]
G	ECP0179C005-2, REV RLC CHART, PARTS LIST, ITEM #8, PART NUMBER WAS 7810101-006. 1-10-78	1-22-78	[Signature]

JUMPER CHART	
FROM	TO
J35 - 24	J33 - 24

NOTES:
 1 ASSEMBLY NO. 1570149, MARK APPLICABLE DASH NO. AND REVISION LEVEL (PER RLC CHART) PER HARRIS SPEC. 9004-2, BLACK
 2 WORKMANSHIP TO BE PER HARRIS SPEC. 9002

ITEM NO.	QTY REQD	CODE IDENT	HARRIS REF NO.	PART NO.	DESCRIPTION
12		AR		2010108-006	WIRE, TEFLON, #30 GA BLUE
11		33		2810093-004	NUT, HEX, #8-32
10		33		3110037-002	WASHER, SPRING
9		93		2810123-209	SCREW, PAN HEAD, PHIL. #8-32 x 3/4
8		66		2810137-004	WASHER, FLAIN, #8
7		4		2810127-205	SCREW, PAN HD, PHIL, SLF TAP #6 (130) X 1/2
6		4		2810101-004	WASHER, FLAT, SM. PAT., #6
5		1		1230101-903	STIFFENER ASSY
4		3600		2110016-002	CONTACT
3		36		2110016-001	CONNECTOR, 50 DUAL POSITIONS
2		1		7070149-001	DRILL & DIM, BACKPLANE ASSY, 18 SLOT
1		X		THIS DWG.	BACKPLANE ASSY, 18 POS, 5 LAYER

ALL DIMENSIONS ARE IN INCHES UNLESS OTHERWISE SPECIFIED TOLERANCES: * 1 ANGLE ** 2 HOLE *** 3 SURFACE **** 4 FINISHNESS		HARRIS COMPUTER SYSTEMS DIVISION DRAFTSMAN: [Signature] 5-20-76 CHECKER: [Signature] 5-21-76 DEV NO: 42002 MATERIAL: FINISH: PROJ ENGR: [Signature] 5-26-76	
APPLICATION: 901 1270119 SLASH 6 NEXT ASSY USED ON:		THIS DOCUMENT CONTAINS PROPRIETARY DATA OF HARRIS CORPORATION. NO DISCLOSURE, REPRODUCTION OR USE OF ANY PART THEREOF MAY BE MADE EXCEPT BY WRITTEN PERMISSION. SIZE: D 29436 CODE IDENT NO: 1570149 DRAWING NO: 1570149 SCALE: NONE CONT ON SHEET: 1 SHEET: 1 OF 1	



REVISIONS			
LTR	DESCRIPTION	DATE	APPROVED
D	REVISED AND REDRAWN PER ECP0377C217-2 REV B		
E	REVISED PER ECP0577C299-11 REV 0 BOTH REVISIONS SIMULTANEOUSLY. K. HUGHES 02/27/77 WPT		
F	REVISED PER ECP0877C462-1 REV A UP-DATE RLC CHART G. LUCAS 9/16/77	9/16/77	DB
G	ECP 0977C496-30, UPDATED RLC CHART K. HUGHES 10-15-77	11/17/77	DB
H	REVISED PER ECP0977C523-3 UPDATED RLC CHART HUGHES 11-15-77	11/17/77	DB
J	ECP0178C047-3, UPDATE RLC CHART; ADD C79 & R14 AT U198.	2/1/78	DB

- NOTES
- ASSEMBLY NUMBER 1570223, MARK APPLICABLE DASH NUMBER AND REVISION LEVEL (PER RLC CHART) PER HARRIS SPEC. 9004-2, BLACK
 - WORKMANSHIP PER HARRIS SPEC. 9002
 - COMPONENT HEIGHT:
UNINSULATED: .350 MAX
INSULATED: .380 MAX
 - COMPONENT PIN AND SOLDER PROTRUSION: .080 MAX
- SPARE LOCATION WITH PRE-ASSIGNED REFERENCE DESIGNATION SHOWN DASHED
- FOR DELAY LINE JUMPER CONNECTIONS SEE CHART 1, USE ITEM NO. 78 FOR JUMPER CONNECTIONS

CHART 1
CONNECT JUMPERS

FROM	TO
WPI-2	WPI-7
WPI-4	WPI-9
WP2-2	WP8
WPI-9	WP7
WPI-6	WP6
WPI-8	WP9
WPI-10	WPI0

REVISION LEVEL CONTROL CHART		
APPLICABLE ASSY DASH NO.	901	
LOWEST USABLE ASSY LEVEL	XXXXXXXXXXJ	
DWG NO.	TITLE	USABLE DRAWING REVISION
1510223	P.C. ASSY. (P.L.)	A B C D D D D E F
7070223	P.W. BD., DRILL & DIM.	- A A B C C D D D
0970223	LOGIC DIAGRAM	- A A B C C C C D E

REVISION LEVEL CONTROL CHART		
APPLICABLE ASSY DASH NO.	902	
LOWEST USABLE ASSY LEVEL	XXXXXXXXXXJ	
DWG NO.	TITLE	USABLE DRAWING REVISION
1510223	P.C. ASSY. (P.L.)	A B C D D D D E F
7070223	P.W. BD., DRILL & DIM.	- A A B C C D D D
0970223	LOGIC DIAGRAM	- A A B C C C C D E

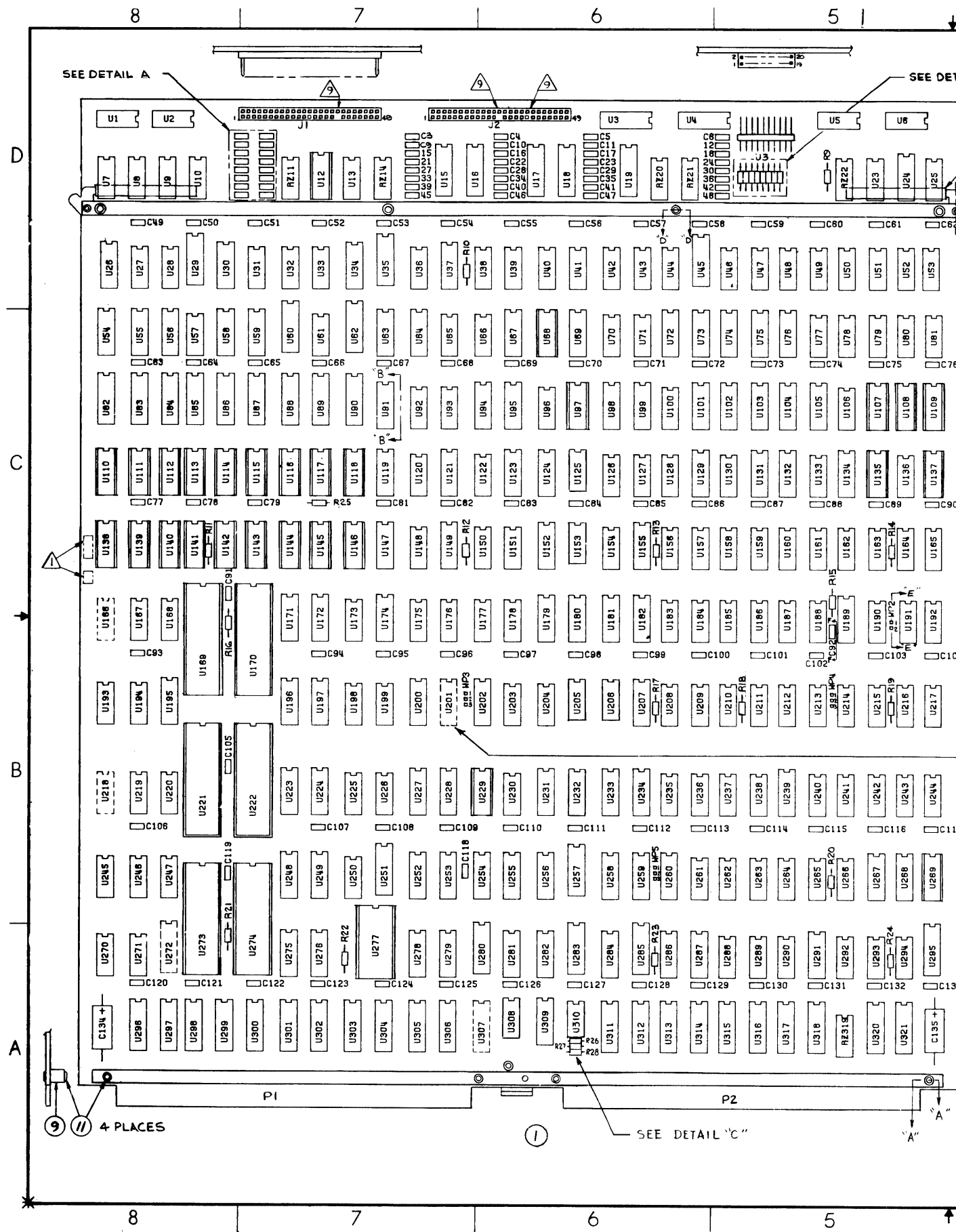
REVISION LEVEL CONTROL CHART		
APPLICABLE ASSY DASH NO.	903	
LOWEST USABLE ASSY LEVEL	XXXXXXXXXXJ	
DWG NO.	TITLE	USABLE DRAWING REVISION
1510223	P.C. ASSY. (P.L.)	A B C D D D D E F
7070223	P.W. BD., DRILL & DIM.	- A A B C C D D D
0970223	LOGIC DIAGRAM	- A A B C C C C D E

SECTION "A-A"
SCALE: NONE

1 -901
2 -902
3 -903
FOR PARTS LIST SEE DRAWING 1510223

APPLICATION		FINISH	
902	1270032 SLASH 6		
901	1270031 SLASH 6		
DASH NO. THIS DWG	NEXT ASSY	FIRST USED ON	

HARRIS COMPUTER SYSTEMS DIVISION			
DRAFTER	TURENCHALK 9-9-76	P.C. ASSEMBLY VIRTUAL MEMORY	
CHECKER	TURENCHALK 11-18-76		
MECH ENGR.	R. LILLY 11-29-76		
ELEC ENGR.	E.A.L. B.B. 11-29-76		
PROJ ENGR.	J. RIFFE 12-1-76		
PROPRIETARY DATA		SIZE	CODE IDENT NO
THIS DOCUMENT CONTAINS PROPRIETARY DATA OF HARRIS CORPORATION. NO DISCLOSURE, REPRODUCTION, OR USE OF ANY PART THEREOF MAY BE MADE EXCEPT BY WRITTEN PERMISSION.		D	29436
DRAWING NO		1570223	
REV		J	



EXTERNAL INTERRUPTS		INTERNAL INTERRUPTS	
FROM	TO	FROM	TO
WP3-1	WP3-3	WP3-1	WP3-2
WP4-1	WP4-3	WP4-1	WP4-2
WP5-1	WP5-3	WP5-1	WP5-2

REVISIONS			
LTR	DESCRIPTION	DATE	APPROVED
A	ECPI076C407-3 REV A, REMOVE PIN 35-J1, 25-J2, ADD TUBING TO C92, ADD NOTE 9 & 10 <i>M.H. 10-17-76</i>	11-3-76	<i>R.H.</i>
B	ECPI276C482-4 <i>GGV 10-17-76</i>		
C	ECPI276C483-4 <i>GGV 10-17-76</i>	1-12-77	<i>R.H.</i>
RELEASED SIMULTANEOUSLY			
D	ECPI276C512-34 REV 0, REV NOTE 1 WAS 1510236, CHANGE DWG TITLE, ADD RLC CHART & UPDATE	1-20-77	<i>R.H.</i>
E	ECPO177C032-4 REV A, UPDATE RLC CHART	2-14-77	<i>R.H.</i>
F	ECPO177C015-72 REV 0, UPDATE RLC CHART	2-16-77	<i>R.H.</i>
G	ECPO177C049-4 REV 0 <i>R.H. 2-16-77</i>	2-28-77	<i>R.H.</i>
H	ECPO177C073-4 REV 0 <i>R.H. 2-16-77</i>	3-18-77	<i>R.H.</i>
J	ECPO177C074-4 REV 0 <i>R.H. 4-4-77</i>	4-22-77	<i>R.H.</i>
K	ECPO277C105-3 REV 0 <i>R.H. 4-27-77</i>	4-28-77	<i>R.H.</i>
L	ECPO377C160-3 REV 0 <i>R.H. 4-28-77</i>	4-29-77	<i>R.H.</i>
M	ECPO377C171-3 REV 0 <i>R.H. 5-2-77</i>	5-3-77	<i>R.H.</i>
N	ECPO377C207-1 REV 0 <i>R.H. 5-7-77</i>	5-13-77	<i>R.H.</i>
P	ECPO377C301-3 REV 0 UPDATE RLC CHART <i>R.H. 8-4-77</i>	8-5-77	<i>R.H.</i>
R	ECPO377C452-3 REV B REV RLC CHART CHANGE U310 FROM "SPARE" TO "USED" <i>R.H. 9-19-77</i>	9-19-77	<i>R.H.</i>
S	ECPO377C496-30 UPDATED RLC CHART <i>R.H. 10-17-77</i>	11-4-77	<i>R.H.</i>
T	ECPI076C571-3 REV RLC CHART <i>R.H. 11-22-77</i>	12-1-77	<i>R.H.</i>

- NOTES:
- ASSEMBLY NUMBER 1570236, MARK APPLICABLE DASH NUMBER AND REVISION LEVEL (PER RLC CHART) PER HARRIS SPEC. 9004-2, BLACK
 - WORKMANSHIP PER HARRIS SPEC. 9002
 - COMPONENT HEIGHT: UNINSULATED -.350 MAX INSULATED -.380 MAX
 - COMPONENT PIN & SOLDER PROTRUSION -.080 MAX
 - SPARE LOCATION WITH PRE-ASSIGNED REFERENCE DESIGNATION SHOWN DASHED
 - ASSEMBLY REFERENCE: FOR ADDITIONAL REWORK INSTRUCTIONS OF CUT LANDS AND JUMPERS SEE DWG. 0670025.
 - OSC. OPERATION JUMPER WP2-1 TO WP2-2
 - FOR EXTERNAL AND INTERNAL INTERRUPT JUMPERS SEE CHART
 - CLIP PIN 35 FROM J1 AND PIN 25 FROM J2 HEADERS BEFORE INSTALLATION. TO DETERMINE PIN LOCATION USE PC BOARD MARKING AS A GUIDE.
 - INSTALL TUBING, ITEM 14, ON CAPACITOR C92 LEADS.

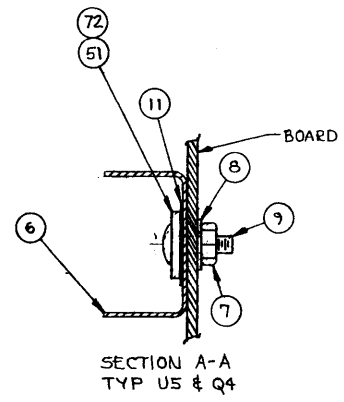
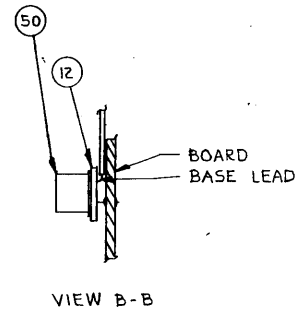
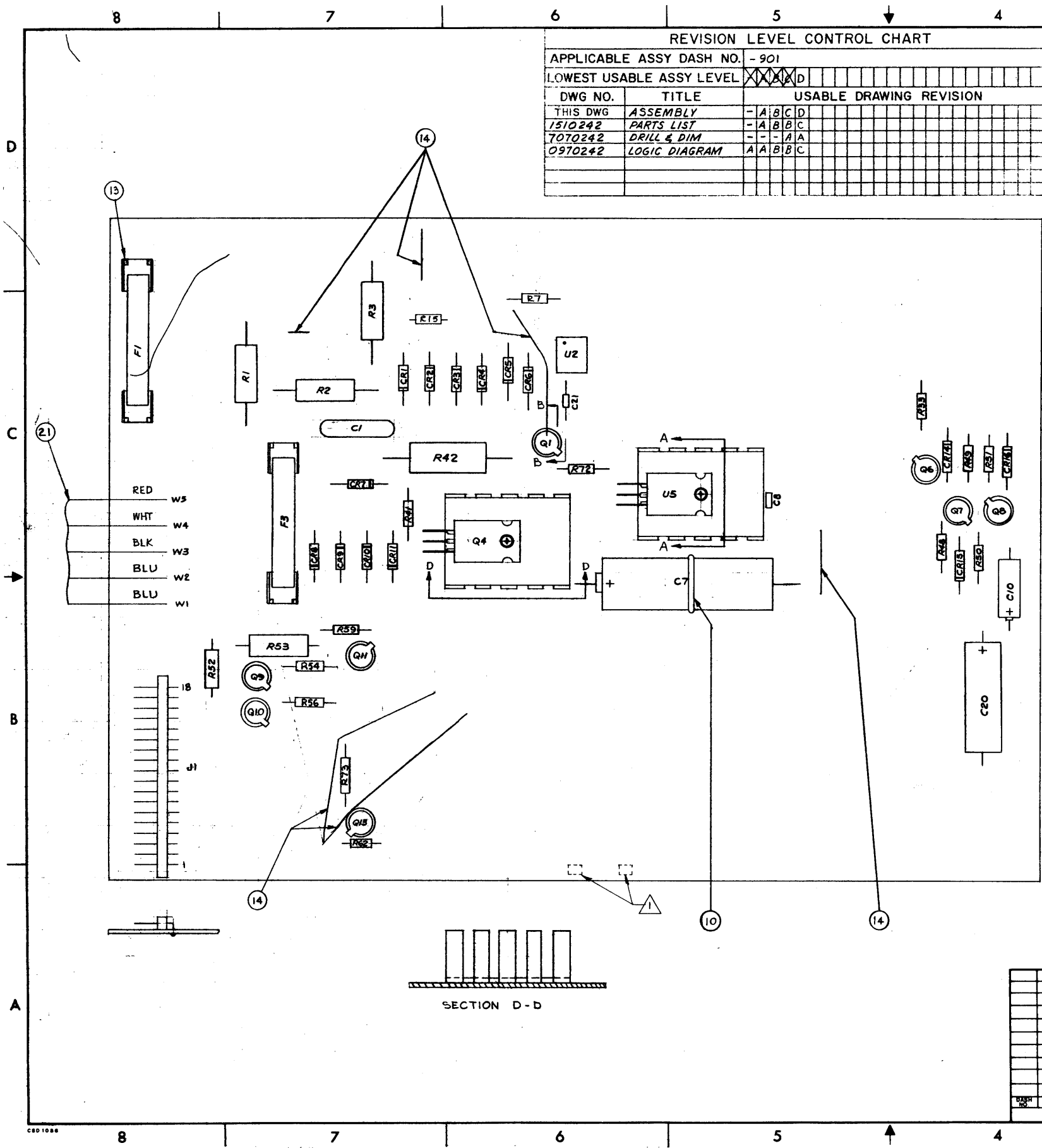
REVISION LEVEL CONTROL CHART			
APPLICABLE ASSY DASH NO.		901	
LOWEST USABLE ASSY LEVEL		XXXXXXXXXXXXXXXXXX	
DWG NO.	TITLE	USABLE DRAWING REVISION	
THIS DWG	ASSEMBLY	-	A B C D E F G H J K L M N P R S T
1510236	PARTS LIST	-	A B C D E F G H J K L M M N
7070236	DRILL & DIM	-	- - - - - A A A A A A A A B B
0970236	LOGIC DIAGRAM	-	A B C C D D E F G H J K L M N P
0670025	ASSY, REF	-	A B B C C D E F G H J J J J J J

FOR PARTS LIST SEE DRAWING 1510236

ALL DIMENSIONS ARE IN INCHES UNLESS OTHERWISE SPECIFIED			HARRIS COMPUTER SYSTEMS DIVISION												
TOLERANCES			DRAFTSMAN <i>W. J. 8/29/76</i>												
CHECKER <i>W. J. 8/29/76</i>			ENGINEER <i>W. J. 8/29/76</i>												
DEV NO			PROJ ENGR <i>W. J. 8-21-76</i>												
MATERIAL			PROJ ENGR <i>W. J. 8-21-76</i>												
901 1270140 SLASH 6			FINISH												
901 1270139 SLASH 6			NEXT ASSY USED ON												
APPLICATION			<table border="1"> <tr> <td>PROPRIETARY DATA</td> <td>SIZE</td> <td>CODE IDENT NO</td> <td>DRAWING NO</td> <td>REV</td> </tr> <tr> <td>THIS DOCUMENT CONTAINS PROPRIETARY DATA OF HARRIS CORPORATION. NO DISCLOSURE, REPRODUCTION, OR USE OF ANY PART THEREOF MAY BE MADE EXCEPT BY WRITTEN PERMISSION.</td> <td>D 29436</td> <td>1570236</td> <td>T</td> <td></td> </tr> </table>			PROPRIETARY DATA	SIZE	CODE IDENT NO	DRAWING NO	REV	THIS DOCUMENT CONTAINS PROPRIETARY DATA OF HARRIS CORPORATION. NO DISCLOSURE, REPRODUCTION, OR USE OF ANY PART THEREOF MAY BE MADE EXCEPT BY WRITTEN PERMISSION.	D 29436	1570236	T	
PROPRIETARY DATA	SIZE	CODE IDENT NO	DRAWING NO	REV											
THIS DOCUMENT CONTAINS PROPRIETARY DATA OF HARRIS CORPORATION. NO DISCLOSURE, REPRODUCTION, OR USE OF ANY PART THEREOF MAY BE MADE EXCEPT BY WRITTEN PERMISSION.	D 29436	1570236	T												

REVISION LEVEL CONTROL CHART			
APPLICABLE ASSY DASH NO.	- 901		
LOWEST USABLE ASSY LEVEL	XXXXD		
DWG NO.	TITLE	USABLE DRAWING REVISION	
THIS DWG	ASSEMBLY	- A	B C D
1510242	PARTS LIST	- A	B B C
7070242	DRILL & DIM	- -	A A
0970242	LOGIC DIAGRAM	A	A B B C

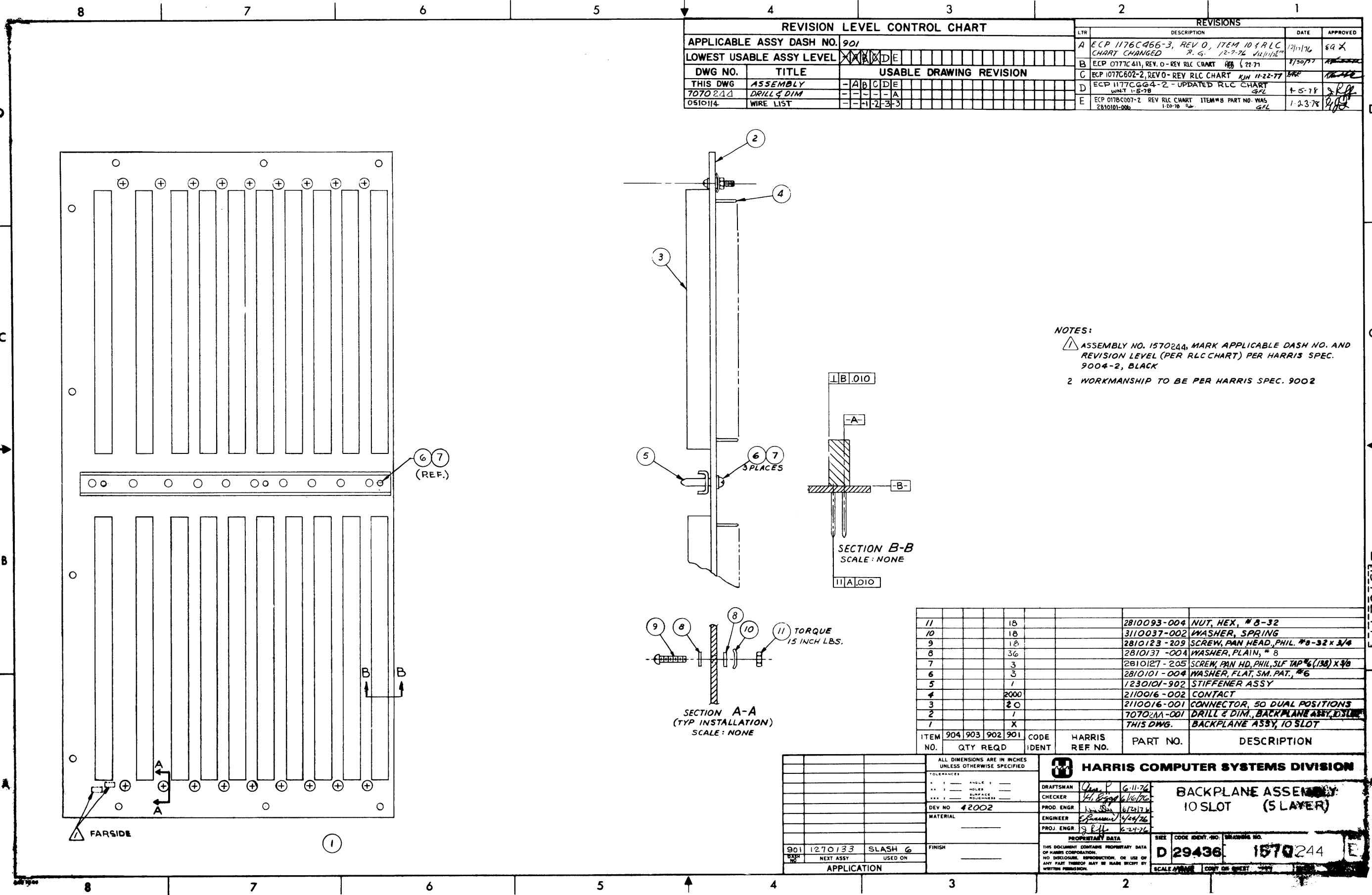
REVISIONS			
LTR	DESCRIPTION	DATE	APPROVED
A	EPC1276CS12-3A REV O, CHG N° NOTE 1 WAS 1510242, REV DWG TITLE WAS 'COMPR ASSY, PWR/FAIL SHUT-DOWN/RESTART/100/120 HZ CLOCK', ADD RLC CHART AND UPDATE ARH 1-14-77	1-20-77	J. R. H.
B	EPC1276CS18-4 REV O, REV PER ECP UPDATE RLC CHART. ARH 1-27-77	1-31-77	W. S. S.
C	ECP0177CO15-72 REV O, UP DATE RLC CHART	1-16-77	J. R. H.
D	ECP 0277C100-3 REV O UPDATE RLC CHART ADD CAP C21 ADD 1 JUMPER LABEL JUMPERS ITEM 14	3-11-77	W. S. S.



- NOTES:
- MARK ASSEMBLY NUMBER 1570242, APPLICABLE DASH NUMBER AND REVISION LEVEL (PER RLC CHART) PER HARRIS SPEC. 9004-2. BLACK
 - WORKMANSHIP PER HARRIS SPEC. 9002
 - COMPONENT HEIGHT:
UNINSULATED - .650 MAX
INSULATED - .750 MAX
 - COMPONENT PIN & SOLDER PROTRUSION - .080 MAX
 - REFERENCE DRAWING SCHEMATIC DIAGRAM 0970242

- 901
FOR PARTS LIST SEE DRAWING 1510242

ALL DIMENSIONS ARE IN INCHES UNLESS OTHERWISE SPECIFIED		HARRIS COMPUTER SYSTEMS DIVISION	
DRAFTSMAN	8/23/76	P.C. ASSEMBLY	
CHECKER	8/23/76	POWER CONTROL/LINE CLOCK	
DEV NO.		SIZE CODE IDENT NO. DRAWING NO.	
MATERIAL		D 29436 1570242	
FINISH	SLASH G	SCALE 2/1 CONT ON SHEET SHEET OF	
APPLICATION		REV. D	

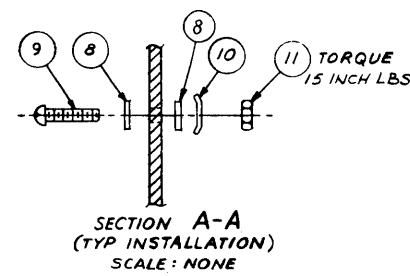
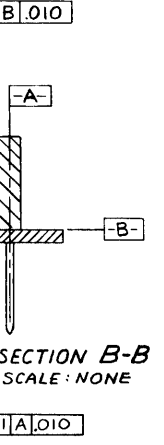


REVISION LEVEL CONTROL CHART			
APPLICABLE ASSY DASH NO.		901	
LOWEST USABLE ASSY LEVEL		XXXXDE	
DWG NO.	TITLE	USABLE DRAWING REVISION	
THIS DWG	ASSEMBLY	-A	B C D E
7070244	DRILL & DIM	-	- - - A
0510114	WIRE LIST	-	- - 1 - 2 - 3 - 3

REVISIONS			
LTR	DESCRIPTION	DATE	APPROVED
A	ECP 1176C466-3, REV 0, ITEM 10 & RLC CHART CHANGED R.G. 12-7-76 VIL/11/HE	12/11/76	89 X
B	ECP 0777C411, REV. 0 - REV RLC CHART 11/11/76	11/20/77	<i>[Signature]</i>
C	ECP 1077C602-2, REV. 0 - REV RLC CHART KJM 11-22-77	MAR	<i>[Signature]</i>
D	ECP 1177C664-2 - UPDATED RLC CHART WNT. 1-5-78	1-5-78	<i>[Signature]</i>
E	ECP 0178C007-2 REV RLC CHART ITEM# B PART NO. WAS 2810101-006 1-20-78	1-23-78	<i>[Signature]</i>

NOTES:

- △ ASSEMBLY NO. 1570244, MARK APPLICABLE DASH NO. AND REVISION LEVEL (PER RLC CHART) PER HARRIS SPEC. 9004-2, BLACK
- 2 WORKMANSHIP TO BE PER HARRIS SPEC. 9002



11		18		2810093-004	NUT, HEX, #8-32
10		18		3110037-002	WASHER, SPRING
9		18		2810123-209	SCREW, PAN HEAD, PHIL. #8-32 x 3/4
8		3/6		2810137-004	WASHER, PLAIN, #8
7		3		2810127-205	SCREW, PAN HD, PHIL, SLF TAP #6 (138) X 3/8
6		3		2810101-004	WASHER, FLAT, SM. PAT. #6
5		1		1230101-902	STIFFENER ASSY
4		2000		2110016-002	CONNECTOR
3		20		2110016-001	CONNECTOR, 50 DUAL POSITIONS
2		1		7070244-001	DRILL & DIM., BACKPLANE ASSY, 10 SLOTS
1				THIS DWG.	BACKPLANE ASSY, 10 SLOT

ITEM NO.	QTY REQD	904	903	902	901	CODE IDENT	HARRIS REF. NO.	PART NO.	DESCRIPTION
ALL DIMENSIONS ARE IN INCHES UNLESS OTHERWISE SPECIFIED									
TOLERANCES									
... 1 ... ANGLE ...									
... 1 ... HOLE ...									
... 1 ... SURFACE ROUGHNESS									
DEV NO. 42002									
MATERIAL									
FINISH									
901	1270133	SLASH G				APPLICATION			
DWG NO.	NEXT ASSY	USED ON							

HARRIS COMPUTER SYSTEMS DIVISION

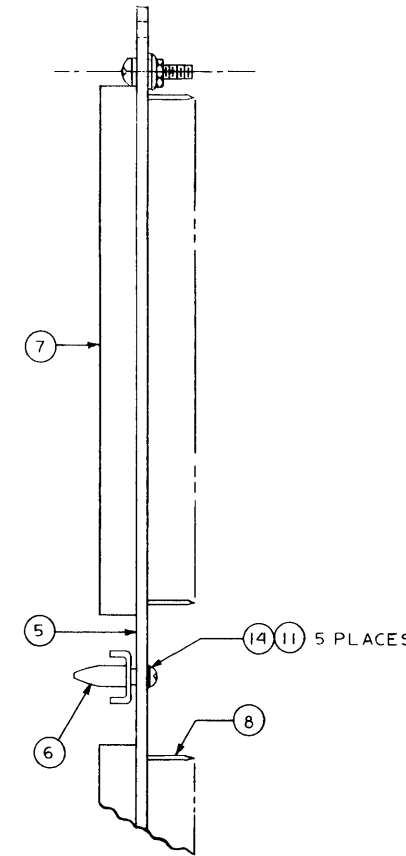
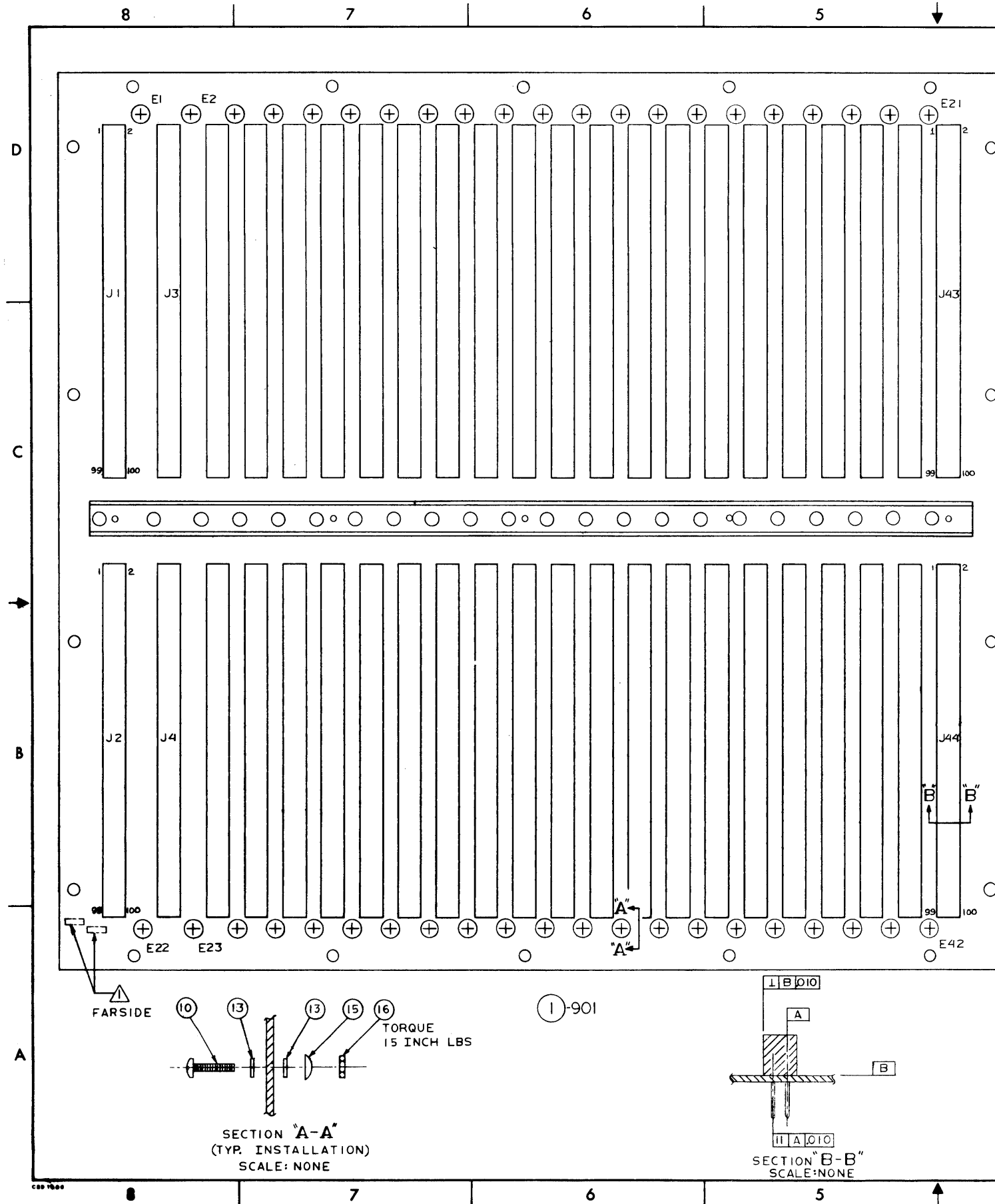
BACKPLANE ASSEMBLY
 10 SLOT (5 LAYER)

DRAFTSMAN *[Signature]* 6-11-76
 CHECKER *[Signature]* 6-16-76
 DEV NO. 42002
 PROD ENGR *[Signature]* 6-24-76
 ENGINEER *[Signature]* 6-24-76
 PROJ ENGR *[Signature]* 6-24-76

PROPRIETARY DATA
 THIS DOCUMENT CONTAINS PROPRIETARY DATA OF HARRIS CORPORATION.
 NO DISCLOSURE, REPRODUCTION, OR USE OF ANY PART THEREOF MAY BE MADE WITHOUT WRITTEN PERMISSION.

SIZE CODE IDENT. NO. DRAWING NO.
D 29436 **1570244**

SCALE: NONE CONT. ON SHEET



NOTES

- 1 ASSEMBLY NUMBER 1570283 MARK APPLICABLE DASH NUMBER AND REVISION LEVEL (PER RLC CHART) PER HARRIS SPEC. 9004-2, BLACK
- 2 WORKMANSHIP TO BE PER HARRIS SPEC. 9002

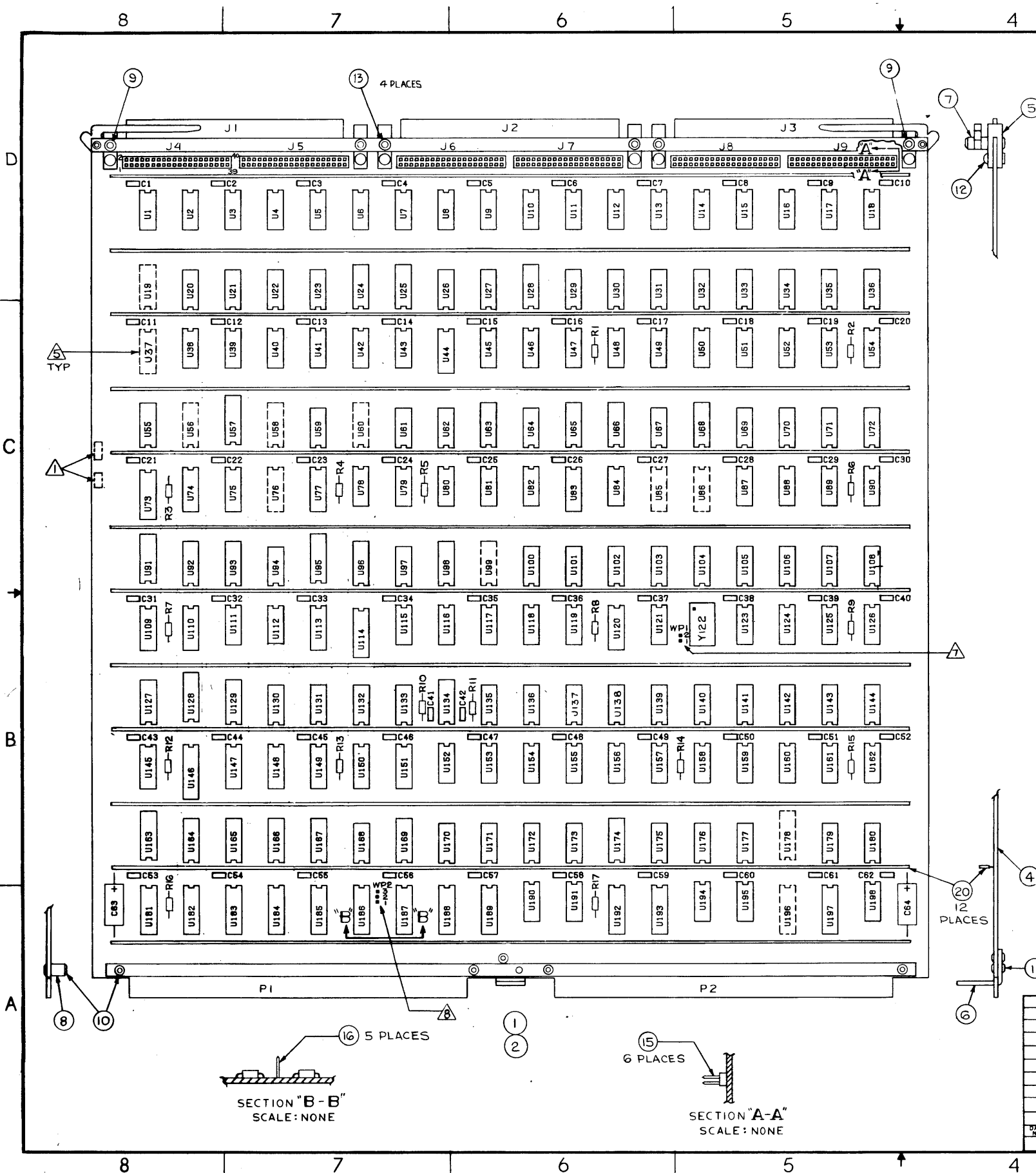
REVISIONS			
LTR	DESCRIPTION	DATE	APPROVED
A	ECP 0777C410-2, REV. 0 - REV RLC CHART, REMOVE LOGIC DIAGRAM FROM RLC CHART & ADD WIRE LIST <i>908 9-22-77</i>	8-30-77	<i>[Signature]</i>
B	ECP 0178C008-2, REV RLC CHART, DELETE ITEM #12 FROM PARTS LIST & PICTORIAL (SEC. A-A), ITEM #13 WAS, QTY 42, PART NO. WAS 2810101-006, ADD ITEM #15 TO PICTORIAL (SEC. A-A) <i>6-1-20-78</i>	1/23/78	<i>[Signature]</i>

REVISION LEVEL CONTROL CHART			
APPLICABLE ASSY DASH NO. 901			
LOWEST USABLE ASSY LEVEL <input checked="" type="checkbox"/> A <input type="checkbox"/> B			
DWG NO.	TITLE	USABLE DRAWING REVISION	
THIS DWG	ASSEMBLY	-A	B
7070283	P.W. BD. DRILL & DIM.	-A	
0510115	WIRE LIST	-1	-1

ITEM NO.	QTY.	RQD.	CODE IDENT	HARRIS REF. NO.	PART NUMBER	REFERENCE DESIGNATION	DESCRIPTION
18							
17							
16		42			2810093-004		NUT, HEX #8-32
15		42			3110037-002		WASHER, SPRING, #8
14		5			2810101-004		WASHER, FLAT, SM. PAT., #6
13		84			2810137-004		WASHER, PLAIN, #8
12		-			2810220-004		WASHER, PLAIN, LARGE PAT., #8
11		5			2810127-205		SCREW, PNH, PHIL, SLF TPG, #6-20 X.375 LG.
10		42			2810123-209		SCREW, PAN HD., PHIL, #8-32 X.750 LG.
9							
8		4400			2110016-002	J1 THRU J44	CONTACTS (88-50 CONTACT COMB)
7		44			2110016-001	J1 THRU J44	CONNECTOR, 50 DUAL POS.
6		1			1230101-904		STIFFENER ASSY.
5		1			7070283-001		P.W. BD. DRILL & DIM., 22 POS. BACKPLANE
4							
3							
2							
1		X			1570283-901		P.C. ASSY., 22 POSITION BACKPLANE CPU

ALL DIMENSIONS ARE IN INCHES UNLESS OTHERWISE SPECIFIED				HARRIS COMPUTER SYSTEMS DIVISION	
TOLERANCES		DRAFTSMAN <i>Surenchak 11-16-76</i> CHECKER <i>Surenchak 11-17-76</i> PROD. ENGR _____ ENGINEER <i>[Signature]</i> 7-8-77 PROJ. ENGR <i>[Signature]</i> 7-8-77			
DEV NO _____ MATERIAL _____ FINISH _____		P.C. ASSEMBLY 22 POSITION BACKPLANE CPU			
ITEM NO. 901 NEXT ASSY. 1270049 APPLICATION CHASSIS ASSY		SIZE D 29436 CODE IDENT NO. 1570283 DRAWING NO. B		THIS DOCUMENT CONTAINS PROPRIETARY DATA OF HARRIS CORPORATION. NO DISCLOSURE, REPRODUCTION, OR USE OF ANY PART THEREOF MAY BE MADE EXCEPT BY WRITTEN PERMISSION. SCALE 1/1 CONT ON SHEET _____ SHEET _____ OF _____	

1570283



REVISIONS			
LTR	DESCRIPTION	DATE	APPROVED
A	ECP 1276C486-3, REV 0 IC 68 FROM DOTTED TO SOLID LINE - R.G. 1-77	1-11-77	R.H.
B	ECP 1276C512-34 REV 0, REV NOTE 1 WAS 1510292, CHG DWG TITLE, ADD RLC CHARTS & UPDATE	1-20-77	R.H.
C	ECP 0177C0243 REV 0, UP DATE RLC CHART	2-16-77	R.H.
D	ECP 0177C015-72 UPDATE RLC CHART	2-25-77	R.H.
E	ECP 0177C072-3, REV 0 2-77 218 UPDATE RLC CHART	3-0-77	R.H.
F	ECP 0777C400-2, REV 0 -UPDATE RLC CHART	8-15-77	R.H.
G	ECP 0877C413-9 REV RLC CHART REMOVE U12 FROM SPARE LOC. 10-15-77	10-27-77	R.H.
H	ECP 0877C468-2 REV RLC CHART CHANGE STIFFENER & MOUNTING HARDWARE	10-31-77	R.H.
J	ECP 0977C491-2 REV RLC CHART	11-1-77	R.H.
K	ECP 0977C496-30 RLC CHART UPDATED	12-11-77	R.H.
L	ECP 1077C607-2, RLC CHART UPDATED	12-16-77	R.H.
M	ECP 1277C674-2 REV 0, RLC CHART UPDATED	1-13-78	R.H.
N	ECP 0178C029-3, SHOW U94 AS SOLID LINE IN PINIC UPDATE RLC CHART	1-27-78	R.H.
P	ECP 0178C048-2, UPDATE RLC CHART	2-2-78	R.H.

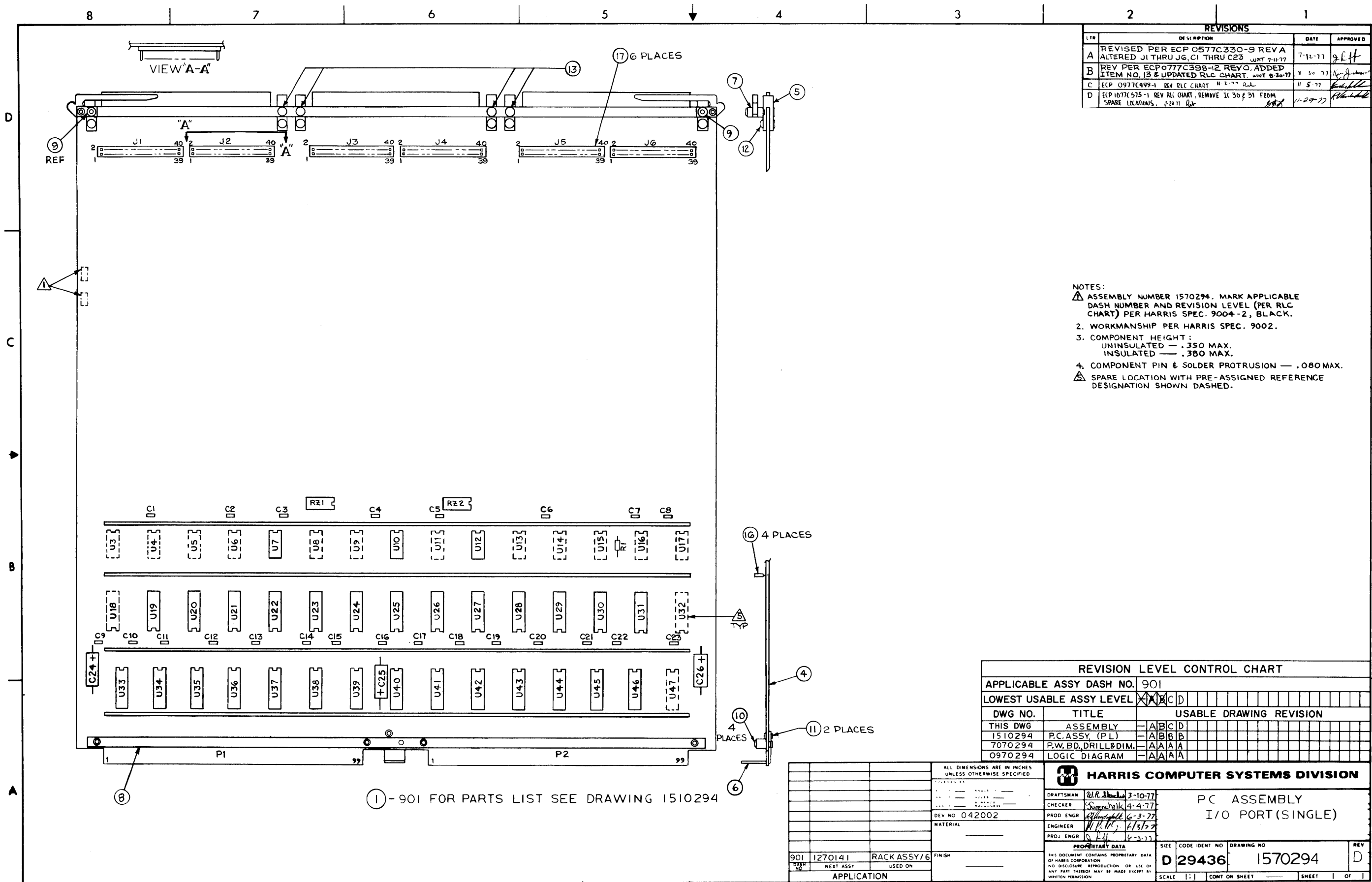
- NOTES:
- ASSEMBLY NUMBER 1570292, MARK APPLICABLE DASH NUMBER AND REVISION LEVEL (PER RLC CHART) PER HARRIS SPEC. 9004-2, BLACK
 - WORKMANSHIP PER HARRIS SPEC. 9002
 - COMPONENT HEIGHT:
UNINSULATED -.350 MAX
INSULATED -.380 MAX
 - COMPONENT PIN & SOLDER PROTRUSION-.080 MAX.
 - SPARE LOCATION WITH PRE-ASSIGNED REFERENCE DESIGNATION SHOWN DASHED
 - REFERENCE DRAWING:
LOGIC DIAGRAM: 0970292
 - OSCILLATOR OPERATION CONNECT JUMPER WPI-1 TO WPI-2 USING ITEM NO 78
 - BUSY TIME OUT TEST CONNECT JUMPER WPI-1 TO WP2-2 (NORMAL OPERATION CONNECT JUMPER WP2-1 TO WP2-2).USE ITEM NO. 78

REVISION LEVEL CONTROL CHART																
APPLICABLE ASSY DASH NO.		- 901														
LOWEST USABLE ASSY LEVEL		XXXXXXXXXXXXXXXX														
DWG NO.	TITLE	USABLE DRAWING REVISION														
THIS DWG	ASSEMBLY	-	A	B	C	D	E	F	G	H	J	K	L	M	N	P
1510292	PARTS LIST	-	A	B	C	D	E	F	F	F	F	F	F	F	F	H
7070292	DRILL & DIM	-	-	-	A	A	A	B	B	B	C	C	C	C	C	C
0970292	LOGIC DIAGRAM	-	A	A	B	B	C	D	E	E	F	F	F	G	H	J

REVISION LEVEL CONTROL CHART																
APPLICABLE ASSY DASH NO.		- 902														
LOWEST USABLE ASSY LEVEL		XXXXXXXXXXXXXXXX														
DWG NO.	TITLE	USABLE DRAWING REVISION														
THIS DWG	ASSEMBLY	-	A	B	C	D	E	F	F	F	F	F	F	F	F	H
1510292	PARTS LIST	-	A	B	C	D	E	F	F	F	F	F	F	F	F	H
7070292	DRILL & DIM	-	-	-	A	A	A	B	B	B	C	C	C	C	C	C
0970292	LOGIC DIAGRAM	-	A	A	B	B	C	D	E	E	F	F	F	G	H	J

FOR PARTS LIST SEE DRAWING 1510292

ALL DIMENSIONS ARE IN INCHES UNLESS OTHERWISE SPECIFIED		HARRIS COMPUTER SYSTEMS DIVISION	
DRAFTSMAN	SUPRECHAK 10-16-76	P.C. ASSEMBLY SAU INTERFACE	
CHECKER	SUPRECHAK 11-7-76	REV P	
DEV NO		SIZE	CODE IDENT NO
ENGINEER	11-3-76	D	29436
PROJ ENGR	11-3-76	SCALE	1/1
SLASH 6		CONT ON SHEET	SHEET
APPLICATION		OF 1	

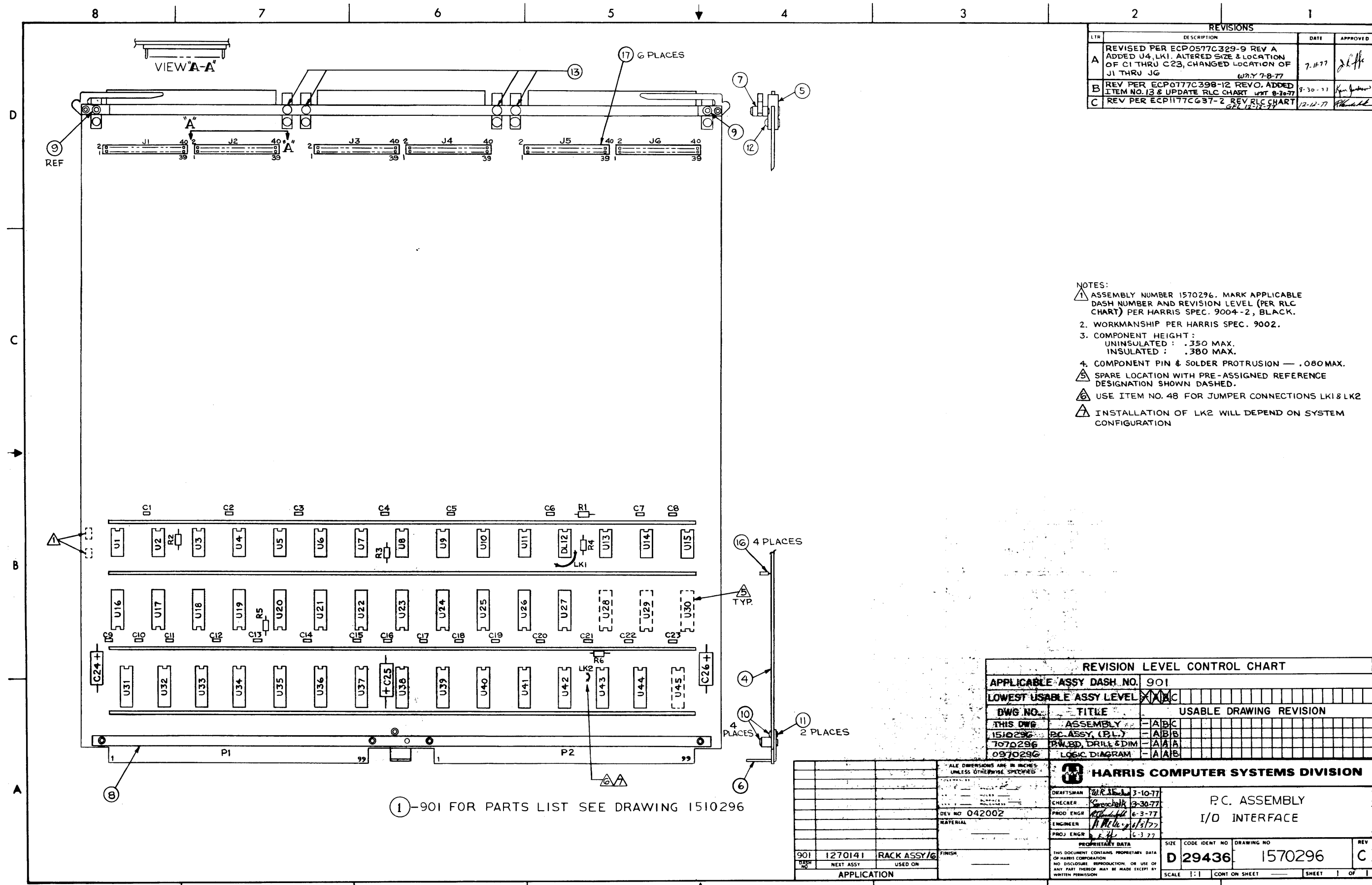


REVISIONS			
LT#	DESCRIPTION	DATE	APPROVED
A	REVISED PER ECP 0577C330-9 REVA ALTERED J1 THRU J6, C1 THRU C23 WNT 7-11-77	7-11-77	g.l.f.
B	REV PER ECP 0777C398-12 REVO. ADDED ITEM NO. 13 & UPDATED RLC CHART WNT 8-30-77	8-30-77	g.l.f.
C	ECP 0977C499-1 REV RLC CHART WNT 11-5-77	11-5-77	g.l.f.
D	ECP 1077C515-1 REV RLC CHART, REMOVE IC 30 & 31 FROM SPARE LOCATIONS. WNT 11-29-77	11-29-77	g.l.f.

- NOTES:
- 1. ASSEMBLY NUMBER 1570294. MARK APPLICABLE DASH NUMBER AND REVISION LEVEL (PER RLC CHART) PER HARRIS SPEC. 9004-2, BLACK.
 - 2. WORKMANSHIP PER HARRIS SPEC. 9002.
 - 3. COMPONENT HEIGHT:
UNINSULATED — .350 MAX.
INSULATED — .380 MAX.
 - 4. COMPONENT PIN & SOLDER PROTRUSION — .080 MAX.
 - 5. SPARE LOCATION WITH PRE-ASSIGNED REFERENCE DESIGNATION SHOWN DASHED.

REVISION LEVEL CONTROL CHART			
APPLICABLE ASSY DASH NO.	901		
LOWEST USABLE ASSY LEVEL	X X X C D		
DWG NO.	TITLE	USABLE DRAWING REVISION	
THIS DWG	ASSEMBLY	A	B
1510294	P.C. ASSY. (P.L)	A	B
7070294	P.W. B.D. DRILL & DIM.	A	A
0970294	LOGIC DIAGRAM	A	A

ALL DIMENSIONS ARE IN INCHES UNLESS OTHERWISE SPECIFIED		HARRIS COMPUTER SYSTEMS DIVISION	
DRAFTSMAN	W.R. Shuck	3-10-77	PC ASSEMBLY I/O PORT (SINGLE)
CHECKER	W. S. ...	4-4-77	
PROD ENGR	W. S. ...	6-3-77	
ENGINEER	W. S. ...	6-3-77	
PROJ ENGR	W. S. ...	6-3-77	
PROPRIETARY DATA		SIZE	CODE IDENT NO
THIS DOCUMENT CONTAINS PROPRIETARY DATA OF HARRIS CORPORATION. NO DISCLOSURE, REPRODUCTION, OR USE OF ANY PART THEREOF MAY BE MADE EXCEPT BY WRITTEN PERMISSION.		D	29436
DRAWING NO		1570294	
REV		D	
SCALE 1:1		CONT ON SHEET	
SHEET		OF	

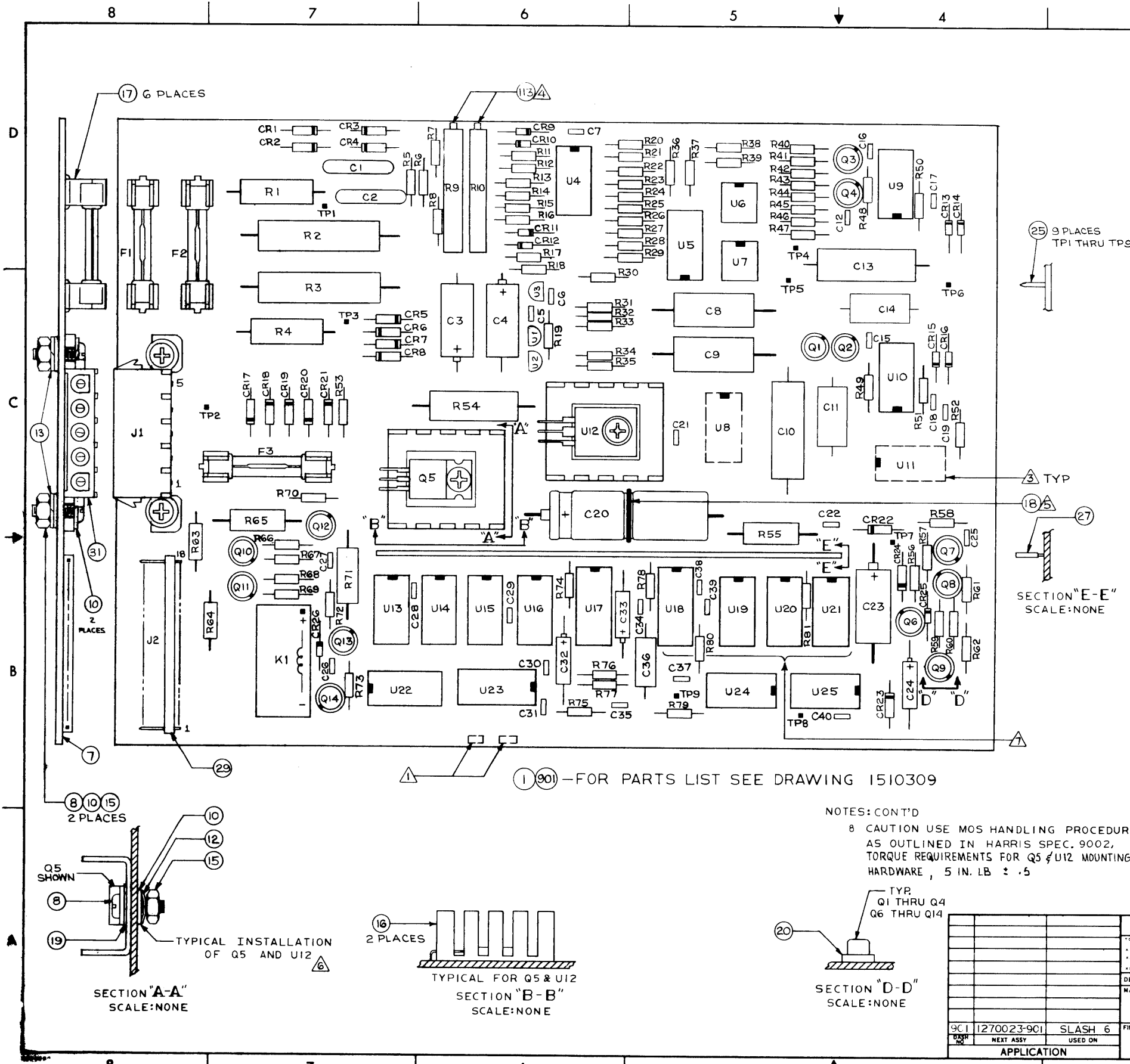


REVISIONS			
LTR	DESCRIPTION	DATE	APPROVED
A	REVISED PER ECP0577C329-9 REV A ADDED U4, LK1. ALTERED SIZE & LOCATION OF C1 THRU C23, CHANGED LOCATION OF J1 THRU J6 W.P.Y 7-8-77	7-11-77	J.L.H.
B	REV PER ECP0777C398-12 REVO. ADDED ITEM NO. 13 & UPDATE RLC CHART W.P.T 8-26-77	8-30-77	K.P.
C	REV PER ECP1177C637-2 REV RLC CHART W.P.T 12-12-77	12-12-77	W.H.

- NOTES:
- 1. ASSEMBLY NUMBER 1570296. MARK APPLICABLE DASH NUMBER AND REVISION LEVEL (PER RLC CHART) PER HARRIS SPEC. 9004-2, BLACK.
 - 2. WORKMANSHIP PER HARRIS SPEC. 9002.
 - 3. COMPONENT HEIGHT:
UNINSULATED : .350 MAX.
INSULATED : .380 MAX.
 - 4. COMPONENT PIN & SOLDER PROTRUSION — .080 MAX.
 - 5. SPARE LOCATION WITH PRE-ASSIGNED REFERENCE DESIGNATION SHOWN DASHED.
 - 6. USE ITEM NO. 48 FOR JUMPER CONNECTIONS LK1 & LK2
 - 7. INSTALLATION OF LK2 WILL DEPEND ON SYSTEM CONFIGURATION

REVISION LEVEL CONTROL CHART			
APPLICABLE ASSY DASH. NO.	901		
LOWEST USABLE ASSY LEVEL	X	X	X
DWG NO.	TITLE	USABLE DRAWING REVISION	
THIS DWG	ASSEMBLY	- A	- B
1510296	P.C. ASSY. (P.L.)	- A	- B
7070296	P.W.BD, DRILL & DIM	- A	- A
0970296	LOGIC DIAGRAM	- A	- A

HARRIS COMPUTER SYSTEMS DIVISION			
DRAFTSMAN	W.R.L.	3-10-77	P.C. ASSEMBLY I/O INTERFACE
CHECKER	S.P.	3-30-77	
PROD ENGR	A.P.	6-3-77	
ENGINEER	H.M.	6-3-77	
PROJ ENGR	E.H.	6-3-77	
PROPERTY DATA			
DASH NO.	901	1270141	RACK ASSY/6
SIZE	D 29436		DRAWING NO. 1570296
SCALE	1:1		SHEET 1 OF 1



REVISIONS			
LTR	DESCRIPTION	DATE	APPROVED
A	ECP 0377C159-9 REV D UPDATE RLC CHART		
B	ECP 0577C288-1 REV D UPDATE RLC CHART BOTH MADE SIMULTANEOUSLY ¹⁵ R.G. 7-17-77	8-9-77	gltt
C	ECP 877C427-3 REV RLC CHART, CHANGE NOTES 6 & 8, ADD 2 #6 WAGNERS	10-20-77	gltt
D	ECP 1077C604-4, INCREASE SPACING FOR C11 & C14 R.G. 12-17-77	12-20-77	gltt
E	ECP 1177C648-3 REV O, UPDATE RLC CHART ECP 1277C678-2 REV C, UPDATE RLC CHART, ADD ITEM 13 TO SEC. A-A, ELIMINATE SEC. C-C, CHANGE VIEW OF U3 TO MATCH U1 & U2. ¹⁵ R.G. 1-9-78	1-3-78	gltt
F			

- NOTES:
- 1 ASSEMBLY NUMBER 1570309, MARK APPLICABLE DASH NUMBER AND REVISION LEVEL (PER RLC CHART) PER HARRIS SPEC. 9004-2, BLACK
 - 2 WORKMANSHIP PER HARRIS SPEC. 9002
 - 3 SPARE LOCATION WITH PRE-ASSIGNED REFERENCE DESIGNATION SHOWN DASHED
 - 4 APPLY ITEM NO.113 TO ADJUSTING SCREWS OF R9 & R10 AFTER CALIBRATION
 - 5 PLACE ITEM NO.18 AROUND C20 INSERTING ENDS IN HOLES PROVIDED ON BOARD
 - 6 MOUNTING HARDWARE SUPPLIED WITH Q5 & U12 (ITEM #562102) BY VENDOR NOT TO BE USED.
 - 7 PLACE LABEL (ITEM NO.112) OVER INTEGRATED CIRCUITS U18 THRU U21.

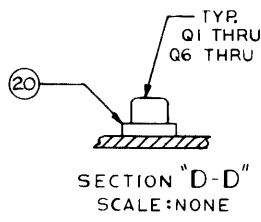
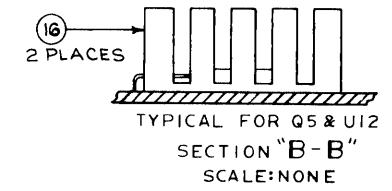
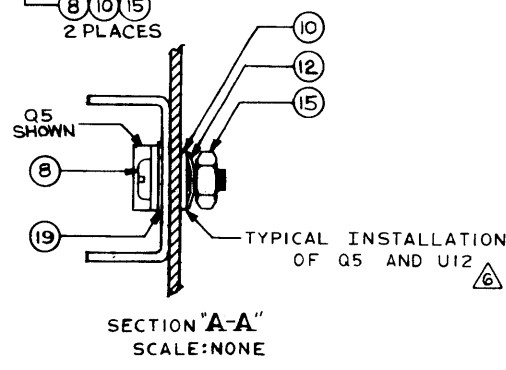
REVISION LEVEL CONTROL CHART		
APPLICABLE ASSY DASH NO.	901	
LOWEST USABLE ASSY LEVEL	X A B C D E F	
DWG NO.	TITLE	USABLE DRAWING REVISION
THIS DWG	ASSEMBLY	- A B C D E F
1510309	P.C. ASSY (P.L.)	- A B C C C D
7070309	DRILL & DIM.	- A A B C D D
0970309	SCHEMATIC DIAG.	- A A A A B B

REVISION LEVEL CONTROL CHART		
APPLICABLE ASSY DASH NO.	902	
LOWEST USABLE ASSY LEVEL	X A B C D E F	
DWG NO.	TITLE	USABLE DRAWING REVISION
THIS DWG	ASSEMBLY	- A B C D E F
1510309	P.C. ASSY (P.L.)	- A B C C C D
7070309	DRILL & DIM.	- A A B C D D
0970309	SCHEMATIC DIAG.	- A A A A B B

REVISION LEVEL CONTROL CHART		
APPLICABLE ASSY DASH NO.	903	
LOWEST USABLE ASSY LEVEL	X A B C D E F	
DWG NO.	TITLE	USABLE DRAWING REVISION
THIS DWG	ASSEMBLY	- A B C D E F
1510309	P.C. ASSY (P.L.)	- A B C C C D
7070309	DRILL & DIM.	- A A B C D D
0970309	SCHEMATIC DIAG.	- A A A A B B

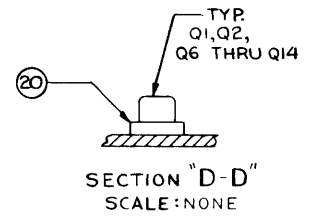
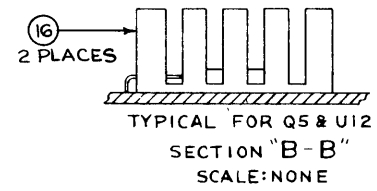
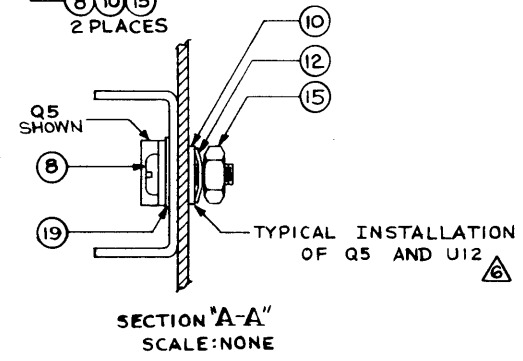
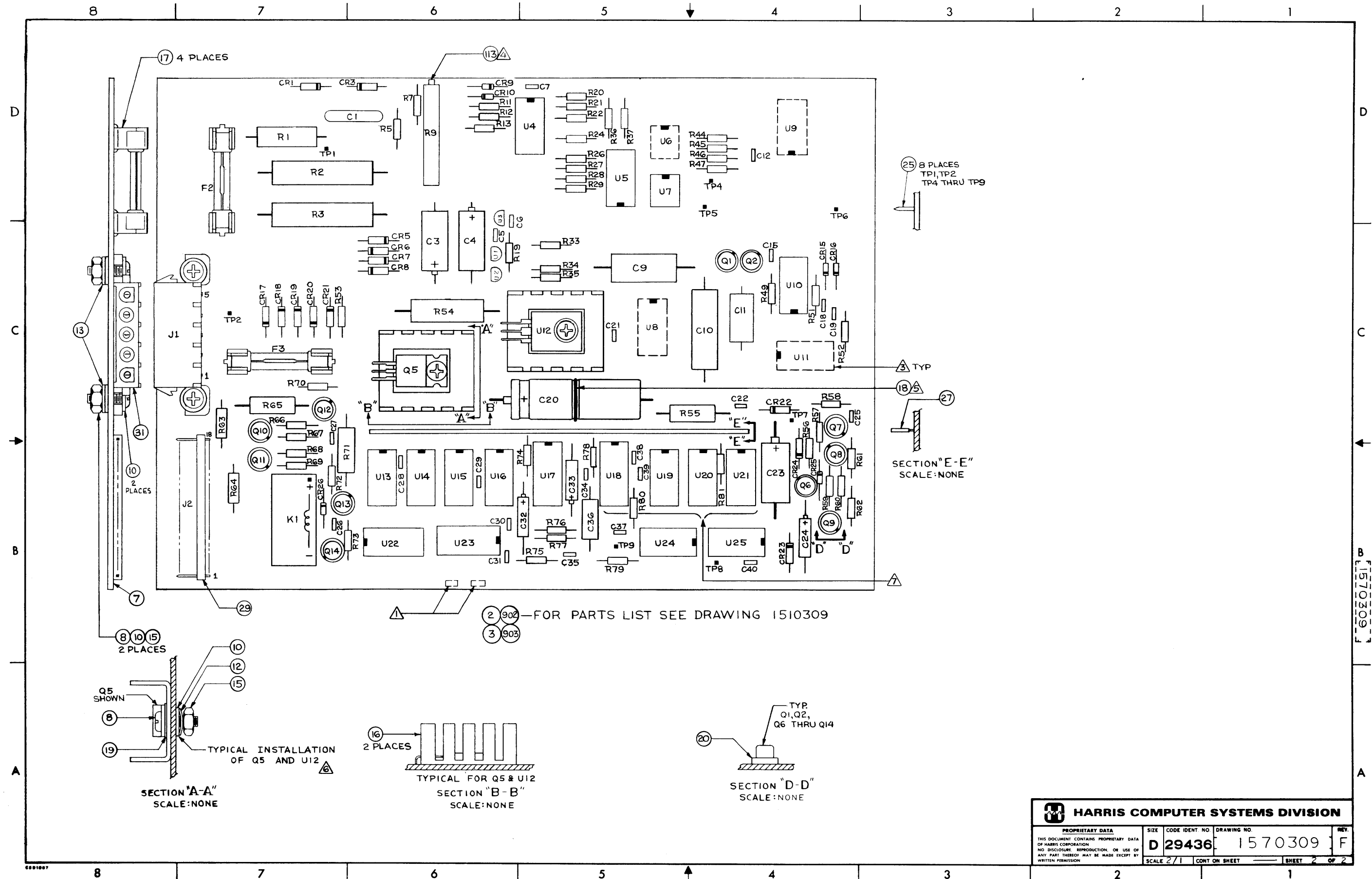
1 901 - FOR PARTS LIST SEE DRAWING 1510309

NOTES: CONT'D
8 CAUTION USE MOS HANDLING PROCEDURES AS OUTLINED IN HARRIS SPEC. 9002, TORQUE REQUIREMENTS FOR Q5 & U12 MOUNTING HARDWARE, 5 IN. LB ± .5



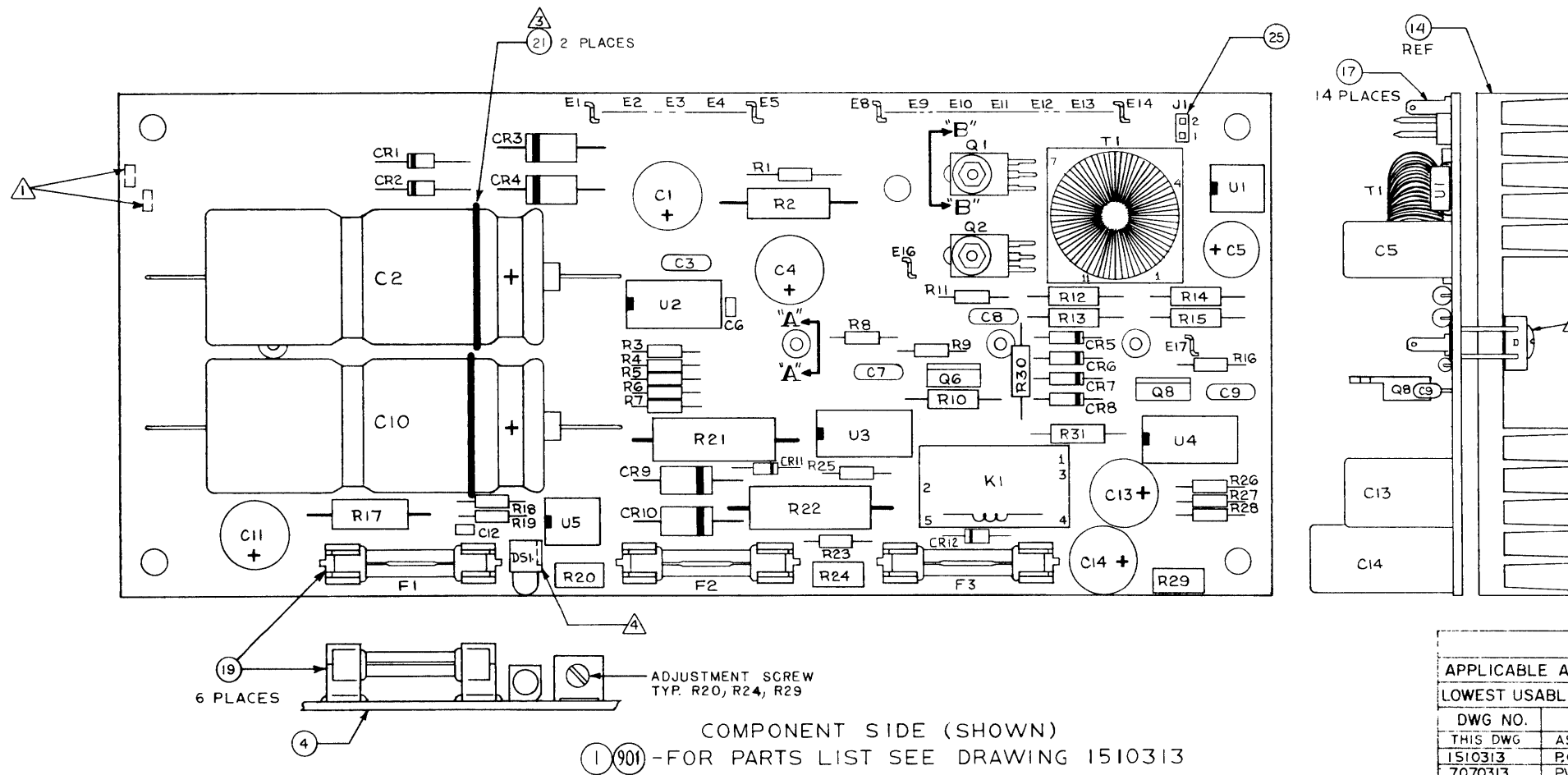
ALL DIMENSIONS ARE IN INCHES UNLESS OTHERWISE SPECIFIED	
TOLERANCES	ANGLE
FRACTIONAL	± .010
DECIMAL	± .005
POSITION	± .005
DRILL	± .005
FINISH	
APPLICATION	

HARRIS COMPUTER SYSTEMS DIVISION P.C. ASSEMBLY POWER FAIL SHUTDOWN /RESTART		DRAWING NO.	D 29436	1570309
		SCALE	2/1	CURT ON SHEET 2
DRAFTSMAN: Surendra 2-10-77 CHECKER: Surendra 2-14-77 PROD ENGR: 2-22-77 ENGINEER: 2-22-77 PROJ ENGR: 2-22-77		SIZE		REV
PROPRIETARY DATA THIS DOCUMENT CONTAINS PROPRIETARY DATA OF HARRIS CORPORATION. NO DISCLOSURE, REPRODUCTION, OR USE OF ANY PART THEREOF MAY BE MADE EXCEPT BY WRITTEN PERMISSION.		CODE IDENT. NO.		



HARRIS COMPUTER SYSTEMS DIVISION			
PROPRIETARY DATA THIS DOCUMENT CONTAINS PROPRIETARY DATA OF HARRIS CORPORATION NO DISCLOSURE, REPRODUCTION, OR USE OF ANY PART THEREOF, MAY BE MADE EXCEPT BY WRITTEN PERMISSION	SIZE D 29436	CODE IDENT. NO. 1570309	DRAWING NO. F
SCALE 2/1		CONT ON SHEET	SHEET 2 OF 2

REVISIONS			
LTR	DESCRIPTION	DATE	APPROVED
A	ECP0477C222-3 REV Q, UPDATE RLC CHART	5-3-77	<i>[Signature]</i>
B	ECP 0677C342-5 REV D, RLC CHART UPDATED & COMPONENTS ADDED	7-29-77	<i>[Signature]</i>
C	ECP 1077C550-15, UPDATE RLC, ADD NOTE 9 SHT 3, CR11, CR12, & R31	12-30-77	<i>[Signature]</i>

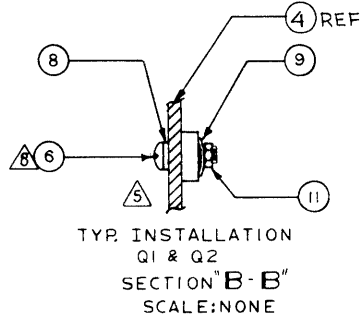
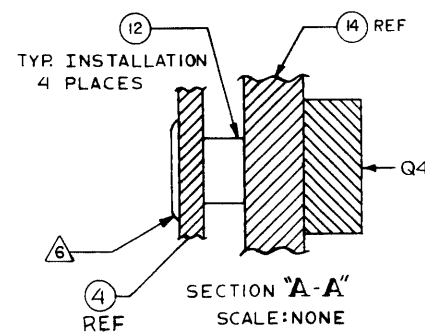


- NOTES:
- △ ASSEMBLY NUMBER 1570313, MARK APPLICABLE DASH NUMBER AND REVISION LEVEL. (PER RLC CHART) PER HARRIS SPEC. 9004-2, BLACK.
 - 2 WORKMANSHIP PER HARRIS SPEC 9002.
 - ③ PLACE ITEM NO. 21 AROUND C2 & C10. INSERT ENDS IN HOLES PROVIDED ON BOARD.
 - △ CHAMFERED CORNER OF DS1 INDICATES CATHODE LEAD.
 - △ COMPONENTS Q1 & Q2 MUST BE ASSEMBLED TO BOARD BEFORE HEAT SINK (ITEM NUMBER 14) IS INSTALLED.
 - △ SWAGE NUT (ITEM NO 12) REQUIRES SOLDERING OF FLANGE ON COMPONENT SIDE OF ASSEMBLY.
 - △ ITEM NO. 22 TO BE CUT TO LENGTH .170 ± 0.031 FOR EACH SCREW
 - △ TORQUE SCREW TO 5 IN-LB. ± 5
 - △ Q4 DOES NOT RECEIVE A MICA WASHER, ITEM ②4.



COMPONENT SIDE (SHOWN)
① 901 - FOR PARTS LIST SEE DRAWING 1510313

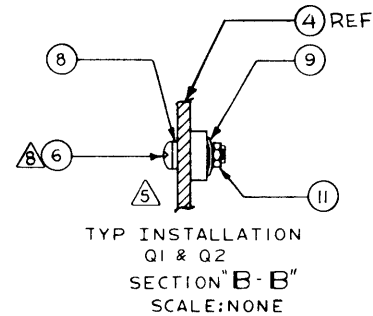
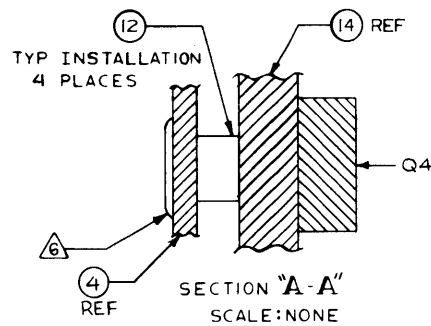
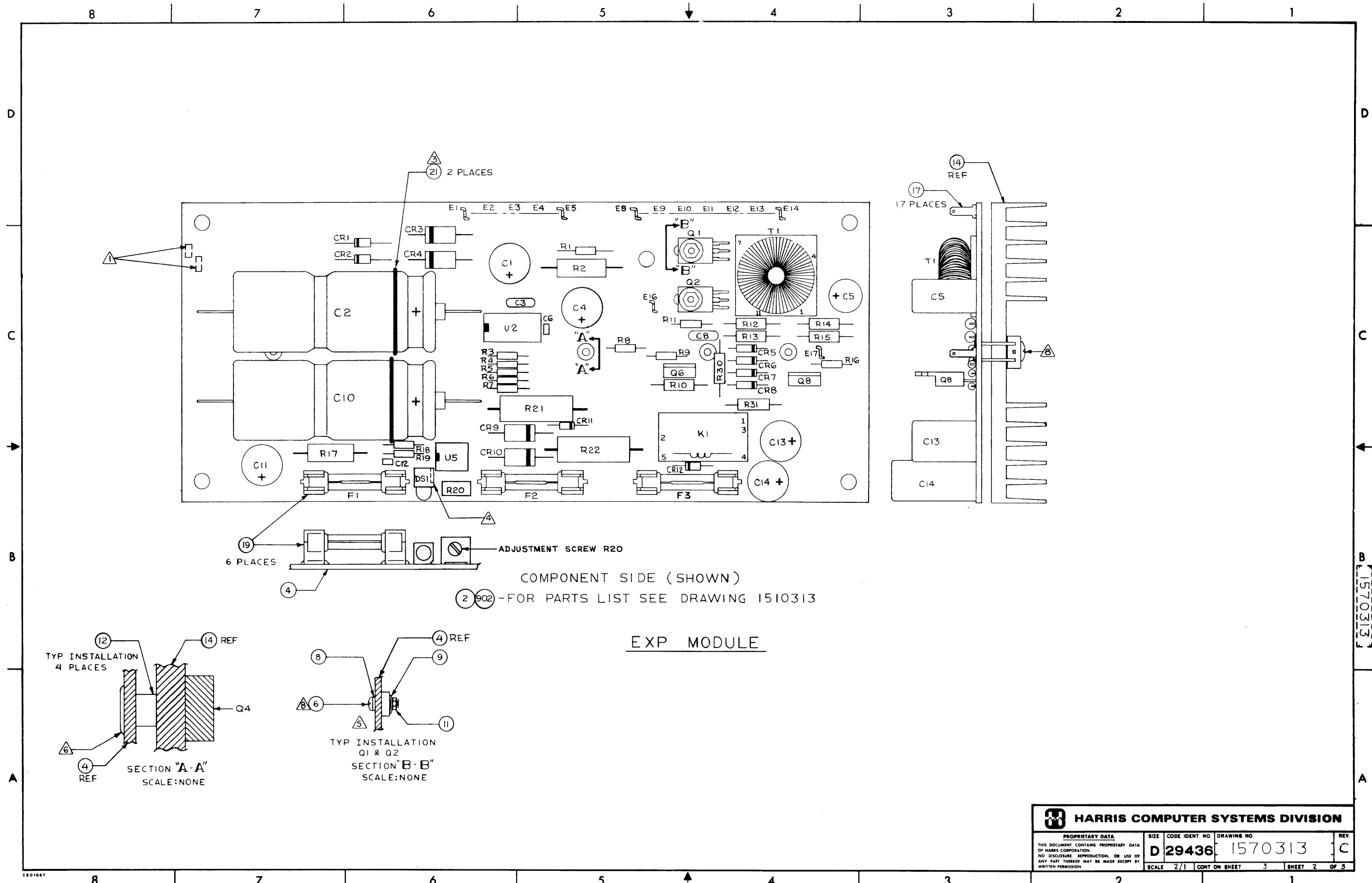
MASTER MODULE



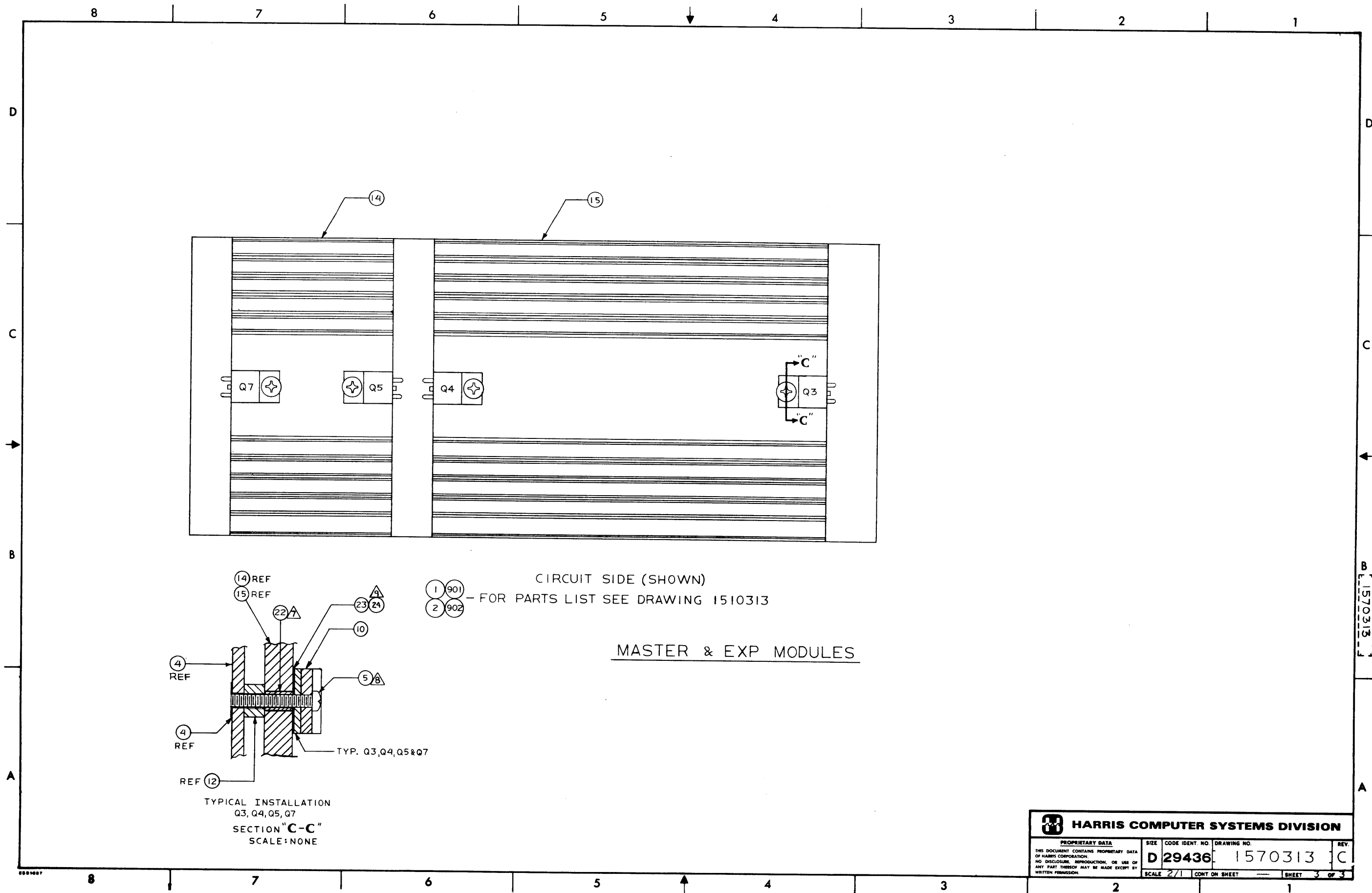
REVISION LEVEL CONTROL CHART		
APPLICABLE ASSY DASH NO.	- 902	
LOWEST USABLE ASSY LEVEL	X X X	
DWG NO.	TITLE	USABLE DRAWING REVISION
THIS DWG	ASSEMBLY	- A B C
1510313	P.C. ASSY. (P.L.)	- A B C
7070313	P.W. BD. (DRILL & DIM)	A A A B
0970313	SCHEMATIC DIAG.	- A B C

REVISION LEVEL CONTROL CHART		
APPLICABLE ASSY DASH NO.	- 901	
LOWEST USABLE ASSY LEVEL	X X X	
DWG NO.	TITLE	USABLE DRAWING REVISION
THIS DWG	ASSEMBLY	- A B C
1510313	P.C. ASSY. (P.L.)	- A B C
7070313	P.W. BD. (DRILL & DIM)	A A A B
0970313	SCHEMATIC DIAG.	- A B C

APPLICATION			HARRIS COMPUTER SYSTEMS DIVISION		
902	1270033	MOS DATA SAVE	DRAFTSMAN	<i>[Signature]</i>	3-7-77
901	1270033	MOS DATA SAVE	CHECKER	<i>[Signature]</i>	3-8-77
			DEV NO	052004	
			PROD ENGR	<i>[Signature]</i>	3-11-77
			ENGINEER	<i>[Signature]</i>	3-11-77
			PROJ ENGR	<i>[Signature]</i>	
FINISH			PROPRIETARY DATA		
THIS DOCUMENT CONTAINS PROPRIETARY DATA OF HARRIS CORPORATION. NO DISCLOSURE, REPRODUCTION, OR USE OF ANY PART THEREOF MAY BE MADE EXCEPT BY WRITTEN PERMISSION.			SIZE	CODE IDENT NO	DRAWING NO
			D	29436	1570313
			SCALE	2/1	CONT ON SHEET 2
					SHEET 1 OF 3



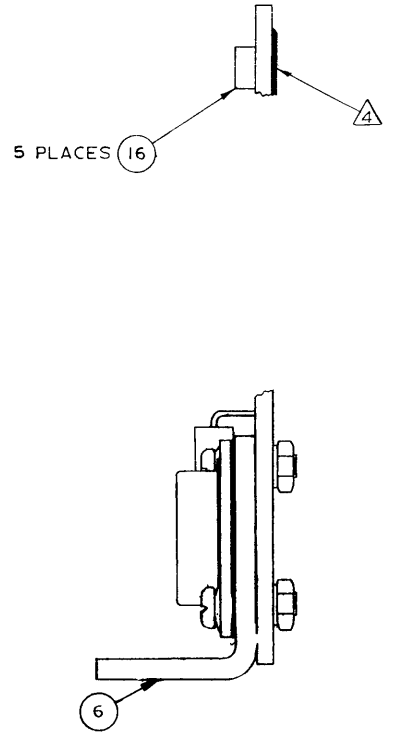
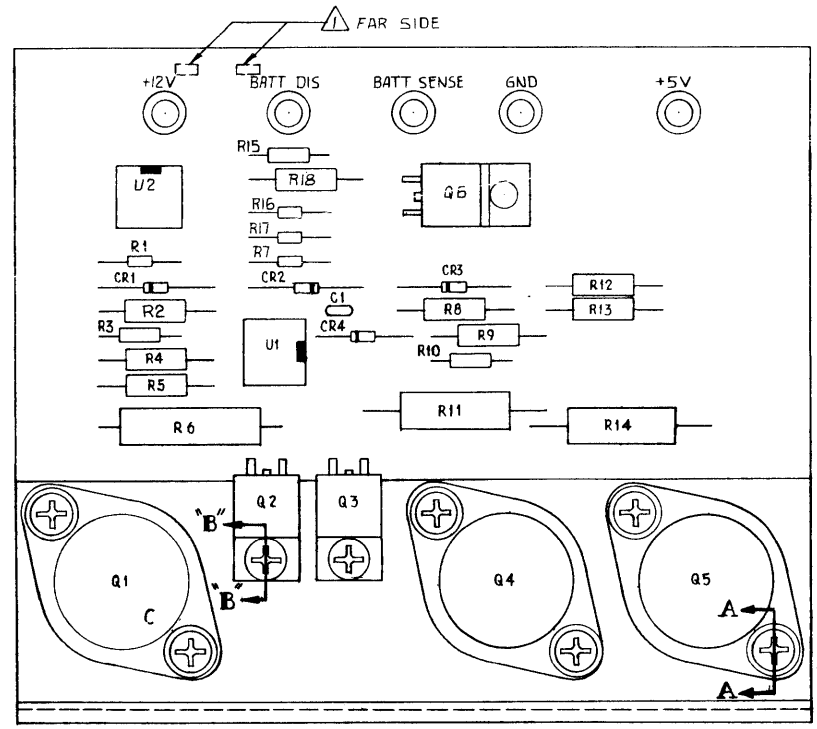
HARRIS COMPUTER SYSTEMS DIVISION			
PROPRIETARY DATA THIS DOCUMENT CONTAINS PROPRIETARY DATA OF HARRIS CORPORATION. NO DISCLOSURE, REPRODUCTION, OR USE OF ANY PART THEREOF MAY BE MADE EXCEPT BY WRITTEN PERMISSION.	SIZE	CODE IDENT. NO.	DRAWING NO.
	D	29436	1570313
SCALE	2/1	CONT ON SHEET	3
SHEET	2	OF	3



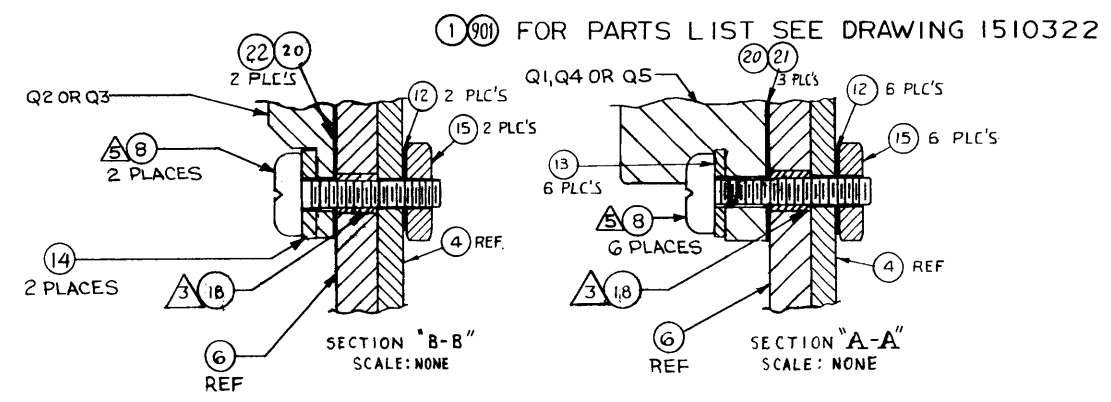
HARRIS COMPUTER SYSTEMS DIVISION			
PROPRIETARY DATA THIS DOCUMENT CONTAINS PROPRIETARY DATA OF HARRIS CORPORATION. NO DISCLOSURE, REPRODUCTION, OR USE OF ANY PART THEREOF MAY BE MADE EXCEPT BY WRITTEN PERMISSION.	SIZE	CODE IDENT. NO.	DRAWING NO.
	D	29436	1570313
SCALE 2/1	CONT ON SHEET	SHEET	3 OF 3

1570313

REVISIONS			
LTR	DESCRIPTION	DATE	APPROVED
A	ECP 1077C549-6 INCREASE BOARD SIZE, ELECTRICAL DESIGN CHANGES R.G. H.P.	11-14-77	H. Sullivan

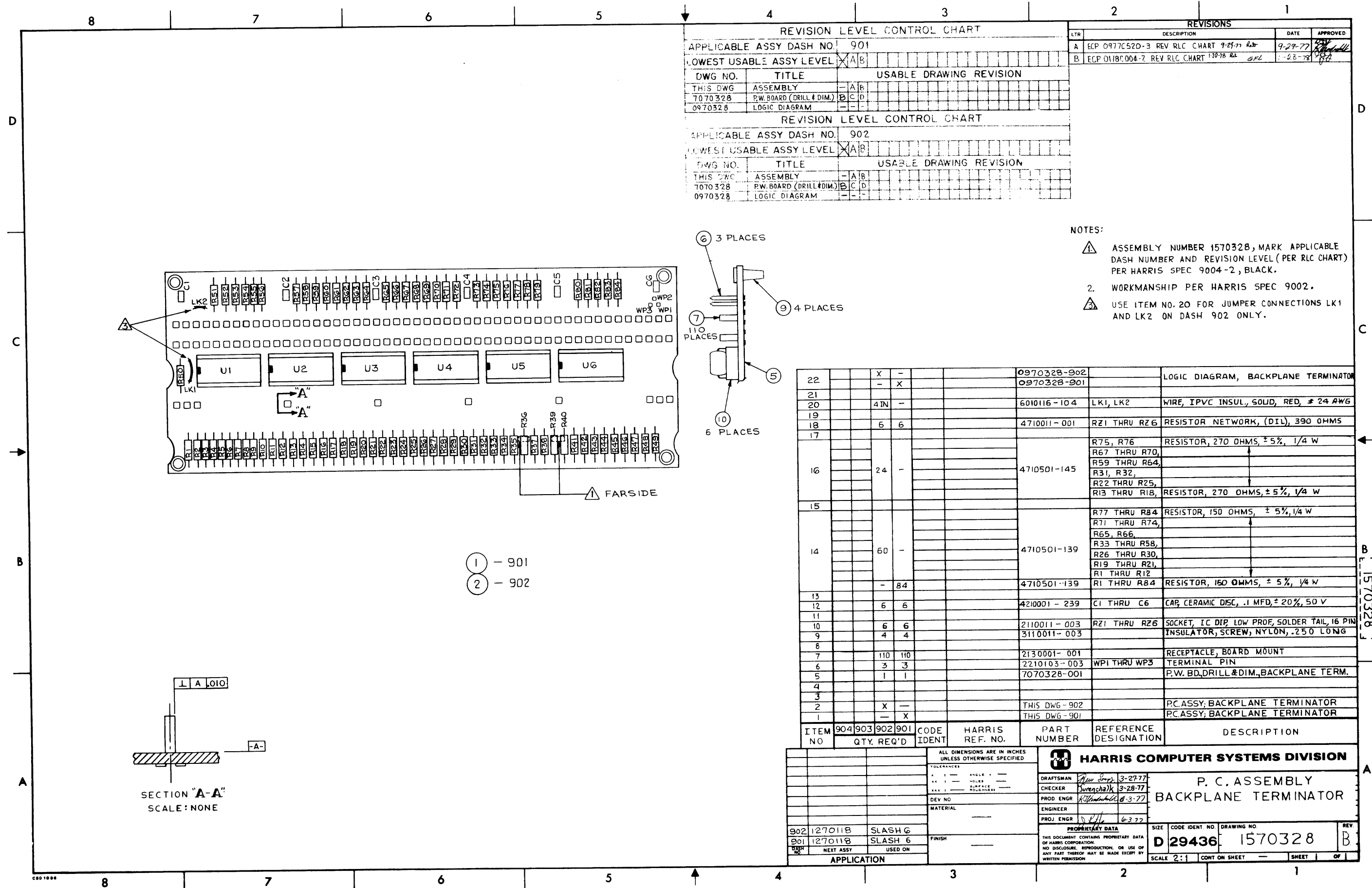


- NOTES:
- △ ASSEMBLY NUMBER 1570322, MARK APPLICABLE DASH NUMBER AND REVISION LEVEL (PER RLC CHART) PER HARRIS SPEC. 9004-2, BLACK
 - 2 WORKMANSHIP PER HARRIS SPEC. 9002
 - △ ITEM NO 18 TO BE CUT TO LENGTH .125 ± .031 FOR EACH SCREW.
 - △ SWAGE NUT (ITEM NO 16) REQUIRES SOLDERING OF FLANGE ON CIRCUIT SIDE OF ASSEMBLY.
 - △ TORQUE SCREW TO 5 IN-LB. ±.5



REVISION LEVEL CONTROL CHART			
APPLICABLE ASSY DASH NO.	901		
LOWEST USABLE ASSY LEVEL	A		
DWG NO.	TITLE	USABLE DRAWING REVISION	
1510322	ASSEMBLY	-	A
7070322	P.C. ASSEMBLY (P.L.)	-	A
0950322	DRILL & DIM.	-	A
	SCHEMATIC DIAGRAM	-	A

ALL DIMENSIONS ARE IN INCHES UNLESS OTHERWISE SPECIFIED		HARRIS COMPUTER SYSTEMS DIVISION	
DRAFTSMAN	K. HUGHES	3/4/77	PC ASSEMBLY +5V ± +12V CLAMP
CHECKER	Surenchalk	3/11/77	
PROD. ENGR.	K. HUGHES	3-11-77	
ENGINEER	R. C. ...	3/11/77	
PROJ. ENGR.	K. HUGHES	3-11-77	
901	1270035	M.O.E. DATA SAVE	FINISH
APPLICATION		SIZE	CODE IDENT. NO.
		D 29436	1570322
		SCALE	2/1 CONT ON SHEET
		SHEET	OF



REVISION LEVEL CONTROL CHART

APPLICABLE ASSY DASH NO. 901

LOWEST USABLE ASSY LEVEL X A B

DWG NO.	TITLE	USABLE DRAWING REVISION
THIS DWG	ASSEMBLY	- A B
7070328	P.W. BOARD (DRILL & DIM.)	B C D
0970328	LOGIC DIAGRAM	- - -

REVISION LEVEL CONTROL CHART

APPLICABLE ASSY DASH NO. 902

LOWEST USABLE ASSY LEVEL X A B

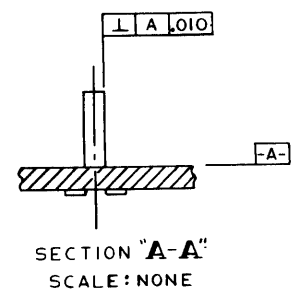
DWG NO.	TITLE	USABLE DRAWING REVISION
THIS DWG	ASSEMBLY	- A B
7070328	P.W. BOARD (DRILL & DIM.)	B C D
0970328	LOGIC DIAGRAM	- - -

REVISIONS

LTR	DESCRIPTION	DATE	APPROVED
A	ECP 0977C520-3 REV RLC CHART 9-29-77	9-29-77	[Signature]
B	ECP 0118C004-2 REV RLC CHART 1-10-78	1-10-78	[Signature]

- NOTES:
- ASSEMBLY NUMBER 1570328, MARK APPLICABLE DASH NUMBER AND REVISION LEVEL (PER RLC CHART) PER HARRIS SPEC 9004-2, BLACK.
 - WORKMANSHIP PER HARRIS SPEC 9002.
 - USE ITEM NO. 20 FOR JUMPER CONNECTIONS LK1 AND LK2 ON DASH 902 ONLY.

- 1 - 901
- 2 - 902



22		X	-		0970328-902		LOGIC DIAGRAM, BACKPLANE TERMINATOR
21		-	X		0970328-901		
20		4IN	-		6010116-104	LK1, LK2	WIRE, IPVC INSUL., SOLDER, RED, # 24 AWG
19							
18		6	6		4710011-001	RZ1 THRU RZ6	RESISTOR NETWORK, (DIL), 390 OHMS
17							
16		24	-		4710501-145	R75, R76 R67 THRU R70, R59 THRU R64, R31, R32, R22 THRU R25, R13 THRU R18,	RESISTOR, 270 OHMS, ± 5%, 1/4 W
15							
14		60	-		4710501-139	R77 THRU R84 R71 THRU R74, R65, R66, R33 THRU R58, R26 THRU R30, R19 THRU R21, R1 THRU R12	RESISTOR, 150 OHMS, ± 5%, 1/4 W
13							
12		6	6		4210001-239	C1 THRU C6	CAP. CERAMIC DISC, .1 MFD, ± 20%, 50 V
11							
10		6	6		2110011-003	RZ1 THRU RZ6	SOCKET, IC DIP, LOW PROF, SOLDER TAIL, 16 PIN
9		4	4		3110011-003		INSULATOR, SCREW, NYLON, .250 LONG
8							
7		110	110		2130001-001		RECEPTACLE, BOARD MOUNT
6		3	3		2210103-003	WPI THRU WP3	TERMINAL PIN
5		1	1		7070328-001		P.W. BD, DRILL & DIM., BACKPLANE TERM.
4							
3							
2		X	-		THIS DWG - 902		P.C. ASSY, BACKPLANE TERMINATOR
1		-	X		THIS DWG - 901		P.C. ASSY, BACKPLANE TERMINATOR

ITEM NO	QTY. REQ'D	CODE IDENT	HARRIS REF. NO.	PART NUMBER	REFERENCE DESIGNATION	DESCRIPTION
902	1	270118	SLASH 6			
901	1	270118	SLASH 6			

ALL DIMENSIONS ARE IN INCHES UNLESS OTHERWISE SPECIFIED

HARRIS COMPUTER SYSTEMS DIVISION

DRAFTSMAN: [Signature] 3-27-77
 CHECKER: [Signature] 3-28-77
 PROD ENGR: [Signature] 6-3-77
 ENGINEER: [Signature] 6-3-77
 PROJ ENGR: [Signature] 6-3-77

P. C. ASSEMBLY
BACKPLANE TERMINATOR

PROPRIETARY DATA

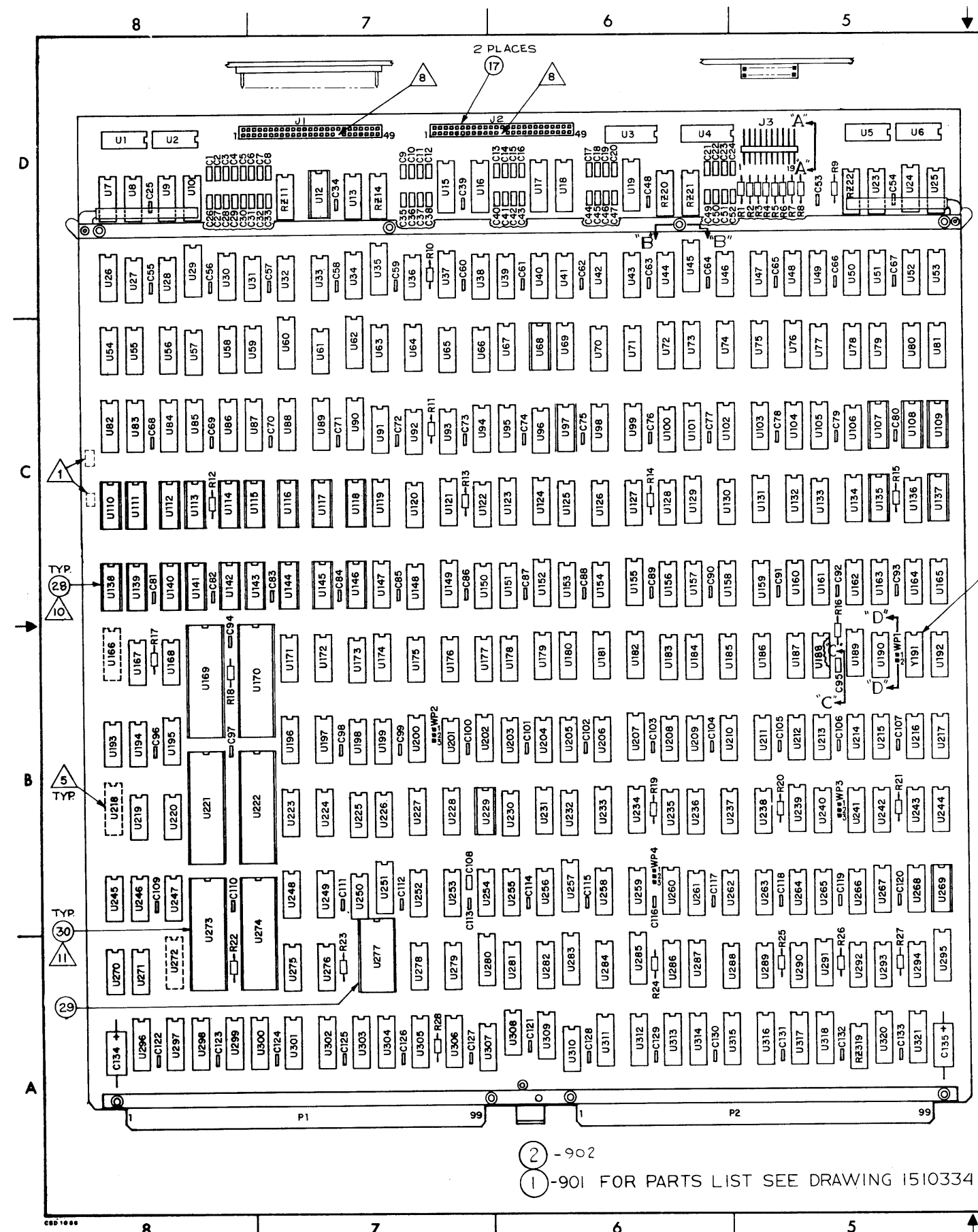
THIS DOCUMENT CONTAINS PROPRIETARY DATA OF HARRIS CORPORATION. REPRODUCTION, OR USE OF ANY PART THEREOF MAY BE MADE EXCEPT BY WRITTEN PERMISSION.

FINISH: _____

SCALE: 2:1

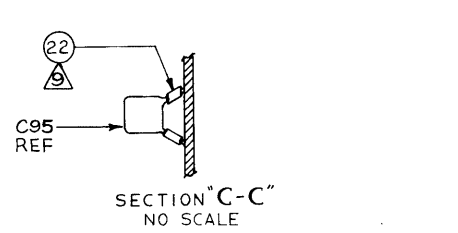
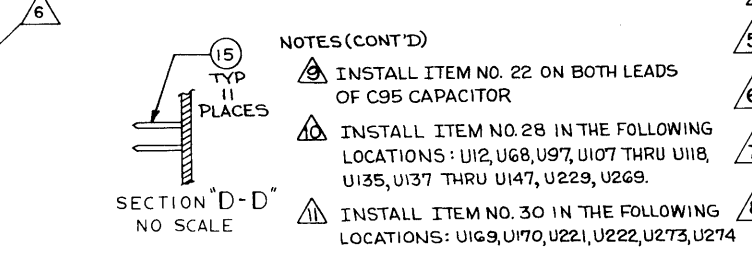
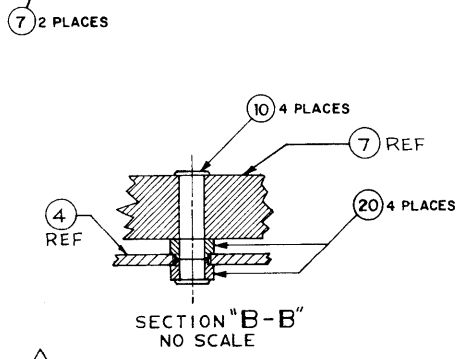
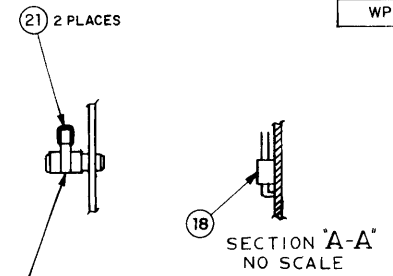
CONT ON SHEET: _____

SHEET: _____ OF: _____



EXTERNAL INTERRUPTS		INTERNAL INTERRUPTS	
FROM	TO	FROM	TO
WP2-1	WP2-3	WP2-1	WP2-2
WP3-1	WP3-3	WP3-1	WP3-2
WP4-1	WP4-3	WP4-1	WP4-3

REVISIONS			
LTR	DESCRIPTION	DATE	APPROVED
A	ECP 0177C 382-3 REV 0 UPDATE RLC CHART 8-4-77	8-5-77	[Signature]
B	ECP 0177C 409-2 REV 1 UPDATED RLC CHART 8-19-77	8-19-77	[Signature]
C	ECP 0877C 433-2 REV A REV RLC CHART 9-19-77	9-19-77	[Signature]
D	ECP 0977C 485-3 REV RLC CHART 10-15-77	10-26-77	[Signature]
E	ECP 0977C 531-17 REV RLC CHART 10-27-77	10-27-77	[Signature]
F	ECP 1077C 573-2 REV RLC CHART 11-29-77	11-29-77	[Signature]
G	ECP 1077C 574-3, REV RLC CHART 12-6-77	12-6-77	[Signature]
H	ECP 1177C 639-3, REV RLC CHART 12-6-77	12-7-77	[Signature]
J	ECP 1177C 640-3, REV RLC CHART 12-6-77	12-7-77	[Signature]
K	ECP 1277C 683-2, REV RLC CHART 1-10-78	1-10-78	[Signature]
L	REV ADD DASH 902, REV RLC CHART 2-3-78	2-3-78	[Signature]



- NOTES:
- ASSEMBLY NUMBER 1570334, MARK APPLICABLE DASH NUMBER AND REVISION LEVEL (PER RLC CHART) PER HARRIS SPEC 9004-2, BLACK.
 - WORKMANSHIP PER HARRIS SPEC 9002.
 - COMPONENT HEIGHT:
UNINSULATED: .350 MAX
INSULATED: .380 MAX
 - COMPONENT PIN AND SOLDER PROTRUSION: .080 MAX
 - SPARE LOCATION WITH PRE-ASSIGNED REFERENCE DESIGNATION SHOWN DASHED.
 - TO ENABLE OSCILLATOR (Y191), CONNECT JUMPER WP1-1 TO WP1-2.
 - FOR EXTERNAL AND INTERNAL INTERRUPT JUMPERS, SEE CHART.
 - CLIP PIN 35 FROM J1 AND PIN 25 FROM J2 HEADERS BEFORE INSTALLATION. TO DETERMINE PIN LOCATION, USE PC BOARD MARKING AS A GUIDE.

- NOTES (CONT'D)
- INSTALL ITEM NO. 22 ON BOTH LEADS OF C95 CAPACITOR
 - INSTALL ITEM NO. 28 IN THE FOLLOWING LOCATIONS: U12, U68, U97, U107 THRU U118, U135, U137 THRU U147, U229, U269.
 - INSTALL ITEM NO. 30 IN THE FOLLOWING LOCATIONS: U169, U170, U221, U222, U273, U274

REVISION LEVEL CONTROL CHART			
APPLICABLE ASSY DASH NO. 902			
LOWEST USABLE ASSY LEVEL			
DWG NO.	TITLE	USABLE DRAWING REVISION	
THIS DWG	ASSEMBLY	K	L
1510334	P.C. ASSY. (P.L.)	E	F
7070334	P.W. BD, DRILL & DIM.	A	A
0970334	LOGIC DIAGRAM	H	H

REVISION LEVEL CONTROL CHART			
APPLICABLE ASSY DASH NO. 901			
LOWEST USABLE ASSY LEVEL			
DWG NO.	TITLE	USABLE DRAWING REVISION	
THIS DWG	ASSEMBLY	A	B
1510334	P.C. ASSY. (P.L.)	A	A
7070334	P.W. BD, DRILL & DIM.	A	A
0970334	LOGIC DIAGRAM	A	A

DWG NO.	REV	DESCRIPTION	DATE
902	1110263	SLASH G	
902	1110262	SLASH G	
902	1110261	SLASH G	
901	1270032	CPU W/VM ASSY	

HARRIS COMPUTER SYSTEMS DIVISION

DRAFTSMAN: [Signature] 6-17-77
 CHECKER: Surenchak 6-22-77
 PROD ENGR: [Signature]
 ENGINEER: [Signature] 7-1-77
 PROJ ENGR: [Signature] 7-6-77

P.C. ASSEMBLY
CPU-1

PROPRIETARY DATA
THIS DOCUMENT CONTAINS PROPRIETARY DATA OF HARRIS CORPORATION. NO DISCLOSURE, REPRODUCTION, OR USE OF ANY PART THEREOF MAY BE MADE EXCEPT BY WRITTEN PERMISSION.

SIZE: D
CODE IDENT NO: 29436
DRAWING NO: 1570334
REV: L

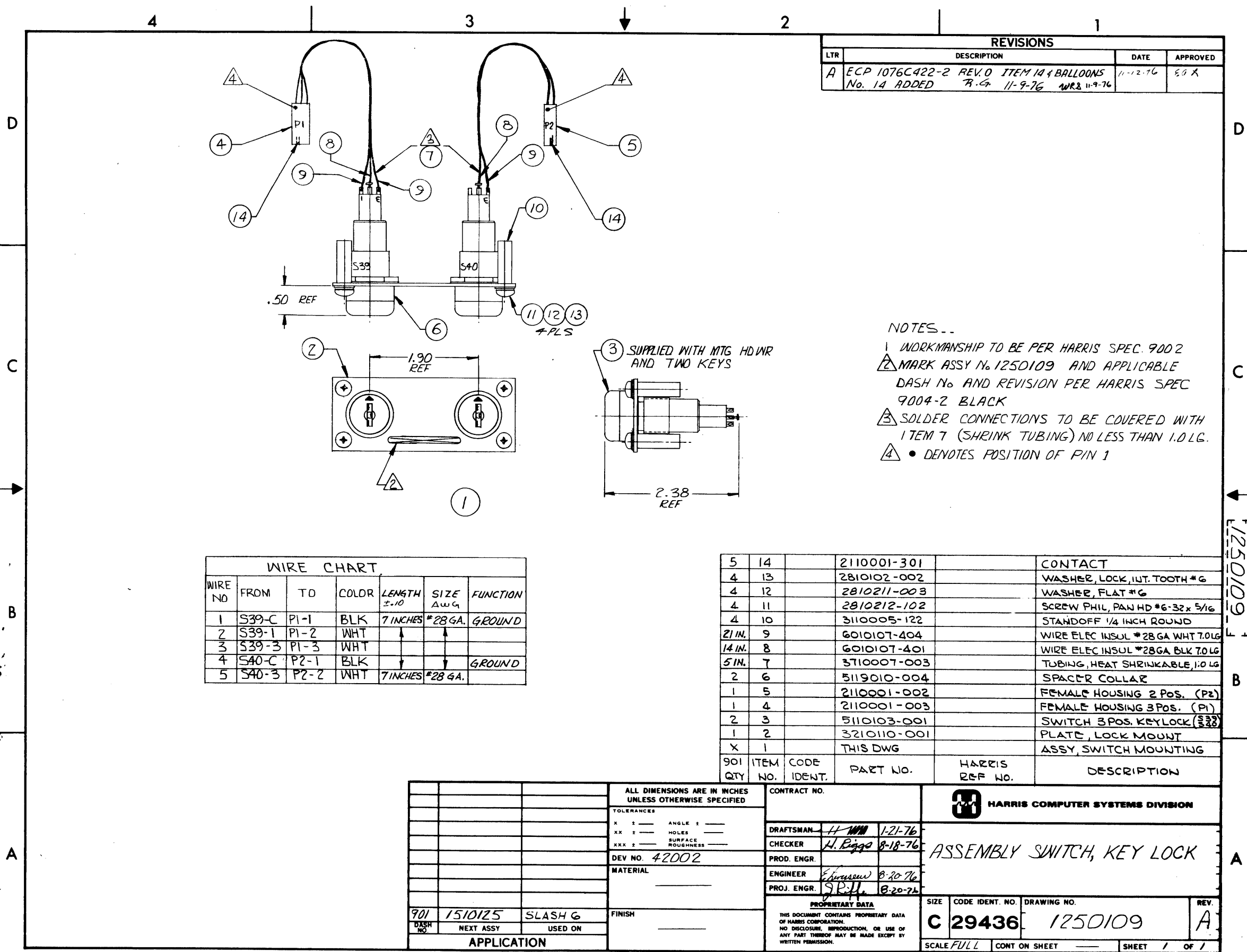
SCALE 1/1 CONT ON SHEET SHEET 1 OF 1

SECTION V
MECHANICAL ASSEMBLY DRAWINGS

5-1 MECHANICAL ASSEMBLY DRAWING INDEX

The following drawings are included in this section. Corresponding parts list are shown in Section VI of this manual.

Drawing Number	Title/Description	Drawing Sheets / Revision	Manual Revision	Page Number
1250109	Assembly Switch, Keylock	1 A	102	5-3
1250117	Terminal Block Assembly	1 -	102	5-4
1270023	Shield Assembly Power Fail/Line Clock	2 C	102	5-5
1270031	CPU Assembly w/Virtual Memory 10 Position	2 G	103	5-7
1270032	CPU Assembly w/Virtual Memory 18 Position	2 G	103	5-9
1270043	CPU Assembly V/M Fully Expanded	2 C	103	5-11
1270049	Chassis Assembly w/22 Position Backplane	1 -	102	5-13
1270116	Chassis Assembly PC w/10 Position Backplane	1 B	102	5-14
1270118	Chassis Assembly w/18 Position Backplane	1 D	102	5-15
1270119	Programmers Panel	1 B	102	5-16
1270122	Chassis Assembly Fan	1 B	102	5-17
1270128	Panel Assembly Power Supply Chassis	1 A	102	5-18
1270130	Power Distribution Unit Assembly	3 D	103	5-19
1270131	Rack Assembly 19 inch	1 C	102	5-22
1270133	Chassis Assembly x/10 Position Backplane	1 D	102	5-23
1270137	Turnkey Panel Assembly	1 B	102	5-24
1270139	Rack Assembly CPU 10 Position	2 K	103	5-25
1270140	Rack Assembly, CPU 18 Position	2 K	103	5-27
1270141	CPU Assembly 18 Position w/Expansion Options	2 E	103	5-29
1270153	Programmers Panel Assembly 19 inch Rack	1 B	102	5-31
1270176	CPU Assembly VM 18 Position w/Expansion Options	2 D	103	5-32



REVISIONS			
LTR	DESCRIPTION	DATE	APPROVED
A	ECP 1076C422-2 REV. 0 ITEM 14 & BALLOONS No. 14 ADDED	11-12-76	E. J. K.
	R.G. 11-9-76	WRB 11-9-76	

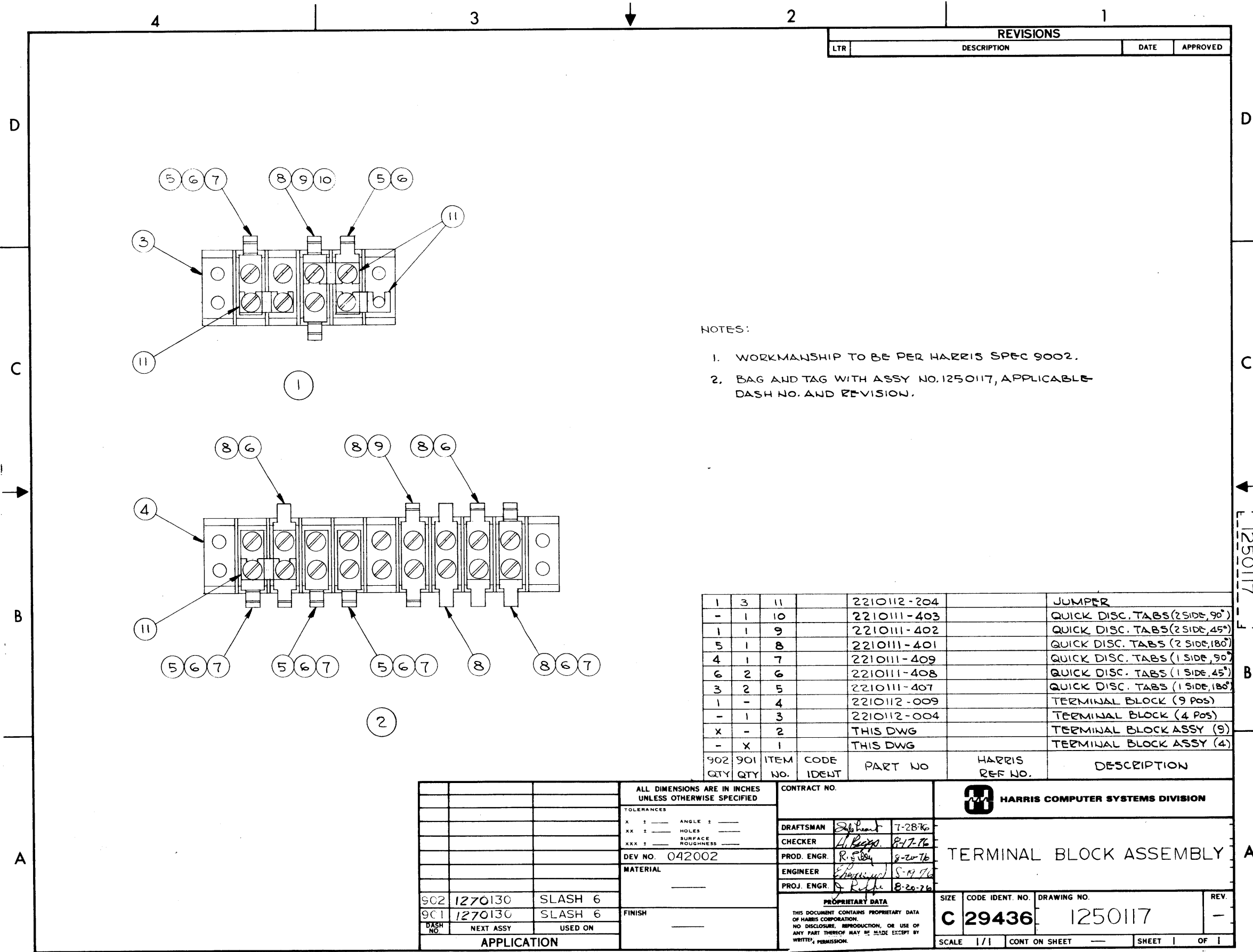
NOTES--
 1 WORKMANSHIP TO BE PER HARRIS SPEC. 9002
 2 MARK ASSY No. 1250109 AND APPLICABLE DASH No AND REVISION PER HARRIS SPEC 9004-2 BLACK
 3 SOLDER CONNECTIONS TO BE COVERED WITH ITEM 7 (SHRINK TUBING) NO LESS THAN 1.0 LG.
 4 • DENOTES POSITION OF PIN 1

WIRE CHART						
WIRE NO	FROM	TO	COLOR	LENGTH ±.10	SIZE AWG	FUNCTION
1	S39-C	P1-1	BLK	7 INCHES	#28 GA.	GROUND
2	S39-1	P1-2	WHT			
3	S39-3	P1-3	WHT			
4	S40-C	P2-1	BLK			GROUND
5	S40-3	P2-2	WHT	7 INCHES	#28 GA.	

QTY	ITEM NO.	CODE IDENT.	PART NO.	HARRIS REF NO.	DESCRIPTION
5	14		2110001-301		CONTACT
4	13		2810102-002		WASHER, LOCK, INT. TOOTH #6
4	12		2810211-003		WASHER, FLAT #6
4	11		2810212-102		SCREW PHIL, PAN HD #6-32 x 5/16
4	10		3110005-122		STANDOFF 1/4 INCH ROUND
21 IN.	9		6010107-404		WIRE ELEC INSUL #28 GA WHT 7.0 LG
14 IN.	8		6010107-401		WIRE ELEC INSUL #28 GA BLK 7.0 LG
5 IN.	7		3710007-003		TUBING, HEAT SHRINKABLE, 1.0 LG
2	6		5119010-004		SPACER COLLAR
1	5		2110001-002		FEMALE HOUSING 2 POS. (P2)
1	4		2110001-003		FEMALE HOUSING 3 POS. (P1)
2	3		5110103-001		SWITCH 3 POS. KEY LOCK (322)
1	2		3210110-001		PLATE, LOCK MOUNT
X	1		THIS DWG		ASSY, SWITCH MOUNTING

ALL DIMENSIONS ARE IN INCHES UNLESS OTHERWISE SPECIFIED		CONTRACT NO.		HARRIS COMPUTER SYSTEMS DIVISION	
TOLERANCES X ± — ANGLE ± — XX ± — HOLES ± — XXX ± — SURFACE ROUGHNESS —		DRAFTSMAN <i>H. W. M.</i> 1-21-76		ASSEMBLY SWITCH, KEY LOCK	
DEV NO. 42002		CHECKER <i>A. Riggs</i> 8-18-76			
MATERIAL		PROD. ENGR.			
FINISH		ENGINEER <i>E. J. K.</i> 8-20-76			
PROPRIETARY DATA		PROJ. ENGR. <i>S. P. H.</i> 8-20-76		SIZE CODE IDENT. NO. DRAWING NO. REV.	
THIS DOCUMENT CONTAINS PROPRIETARY DATA OF HARRIS CORPORATION. NO DISCLOSURE, REPRODUCTION, OR USE OF ANY PART THEREOF MAY BE MADE EXCEPT BY WRITTEN PERMISSION.		C 29436		1250109 A	
APPLICATION		SCALE FULL		CONT ON SHEET SHEET 1 OF 1	

C801100



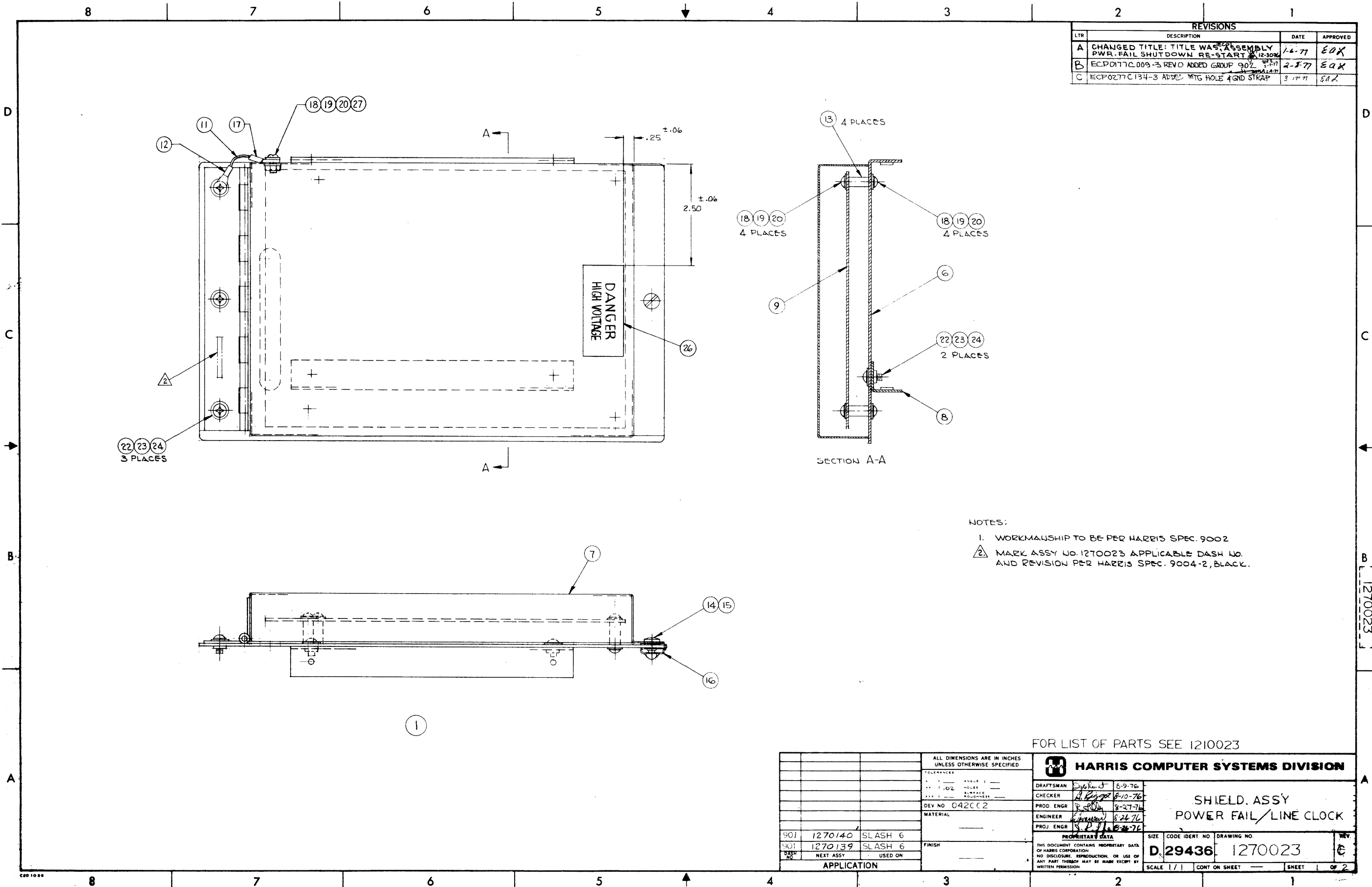
REVISIONS			
LTR	DESCRIPTION	DATE	APPROVED

- NOTES:
- WORKMANSHIP TO BE PER HARRIS SPEC 9002.
 - BAG AND TAG WITH ASSY NO. 1250117, APPLICABLE DASH NO. AND REVISION.

QTY	QTY	ITEM NO.	CODE IDENT	PART NO	HARRIS REF NO.	DESCRIPTION
1	3	11		2210112-204		JUMPER
-	1	10		2210111-403		QUICK DISC. TABS (2 SIDE, 90°)
1	1	9		2210111-402		QUICK DISC. TABS (2 SIDE, 45°)
5	1	8		2210111-401		QUICK DISC. TABS (2 SIDE, 180°)
4	1	7		2210111-409		QUICK DISC. TABS (1 SIDE, 90°)
6	2	6		2210111-408		QUICK DISC. TABS (1 SIDE, 45°)
3	2	5		2210111-407		QUICK DISC. TABS (1 SIDE, 180°)
1	-	4		2210112-009		TERMINAL BLOCK (9 POS)
-	1	3		2210112-004		TERMINAL BLOCK (4 POS)
X	-	2		THIS DWG		TERMINAL BLOCK ASSY (9)
-	X	1		THIS DWG		TERMINAL BLOCK ASSY (4)

ALL DIMENSIONS ARE IN INCHES UNLESS OTHERWISE SPECIFIED TOLERANCES X ± — ANGLE ± — XX ± — HOLES ± — XXX ± — SURFACE ROUGHNESS —			CONTRACT NO. DRAFTSMAN <i>D. Bennett</i> 7-28-76 CHECKER <i>A. Rizzo</i> 8-17-76 PROD. ENGR. <i>R. S. Boy</i> 8-20-76 ENGINEER <i>E. H. Boy</i> 8-19-76 PROJ. ENGR. <i>D. Ruffe</i> 8-20-76		HARRIS COMPUTER SYSTEMS DIVISION TERMINAL BLOCK ASSEMBLY	
DEV NO. 042002 MATERIAL — FINISH —	PROPRIETARY DATA THIS DOCUMENT CONTAINS PROPRIETARY DATA OF HARRIS CORPORATION. NO DISCLOSURE, REPRODUCTION, OR USE OF ANY PART THEREOF MAY BE MADE EXCEPT BY WRITTEN PERMISSION.		SIZE C CODE IDENT. NO. 29436	DRAWING NO. 1250117	REV. —	
APPLICATION 902 1270130 SLASH 6 901 1270130 SLASH 6 DASH NO. NEXT ASSY USED ON	SCALE 1/1 CONT ON SHEET — SHEET 1 OF 1		HARRIS CORPORATION			

CSD1100



REVISIONS			
LTR	DESCRIPTION	DATE	APPROVED
A	CHANGED TITLE: TITLE WAS ASSEMBLY PWR. FAIL SHUTDOWN RE-START 12-30-76	1-6-77	EOK
B	ECPD177C.009-3 REVO ADDED GROUP 902 1-2-77	2-5-77	EOK
C	ECP0277C.134-3 ADDED MFG HOLE 4 GND STRAP 3-17-77	3-17-77	EOK

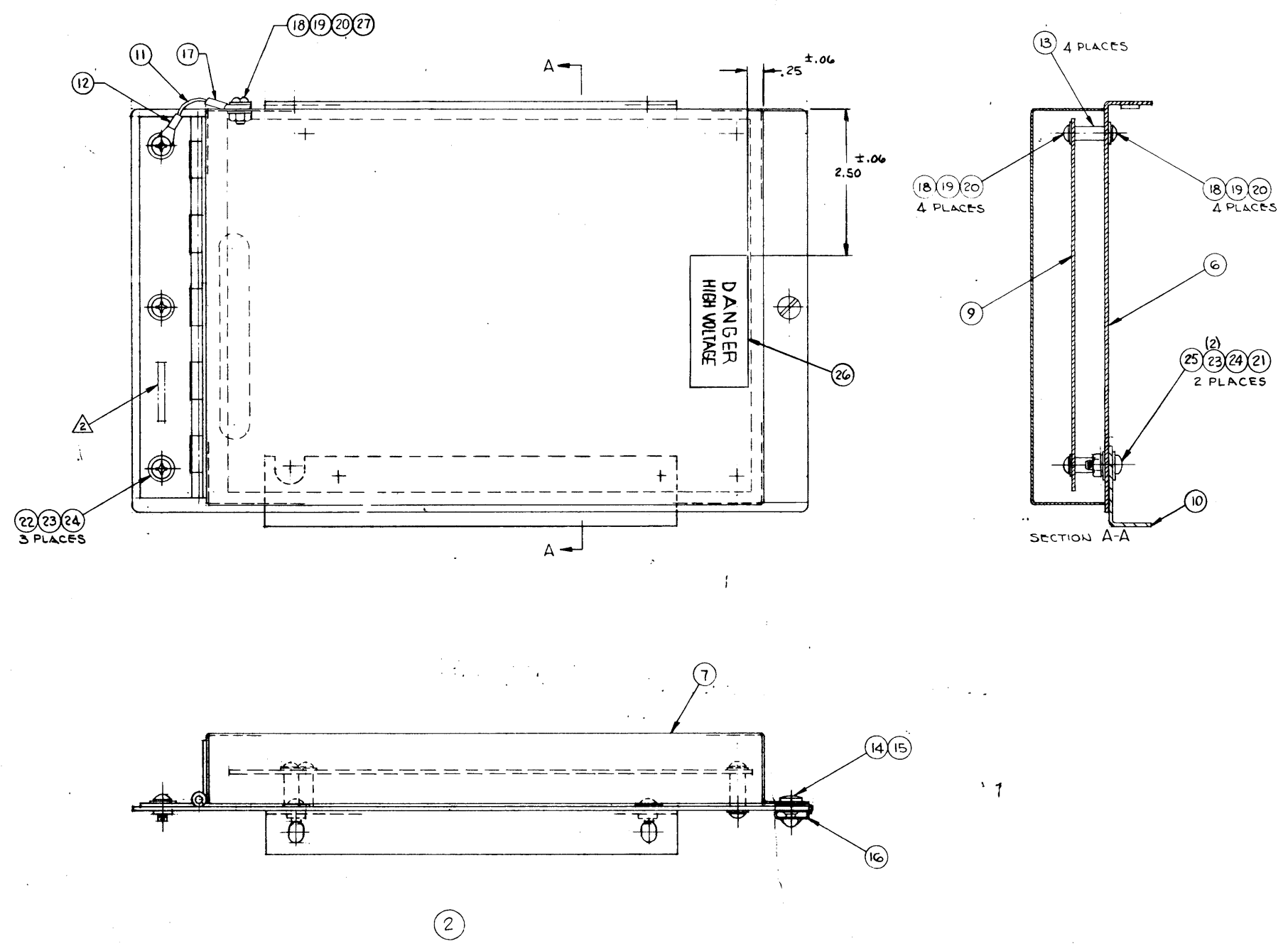
- NOTES:
1. WORKMANSHIP TO BE PER HARRIS SPEC. 9002
 2. MARK ASSY NO. 1270023 APPLICABLE DASH NO. AND REVISION PER HARRIS SPEC. 9004-2, BLACK.

FOR LIST OF PARTS SEE 1210023

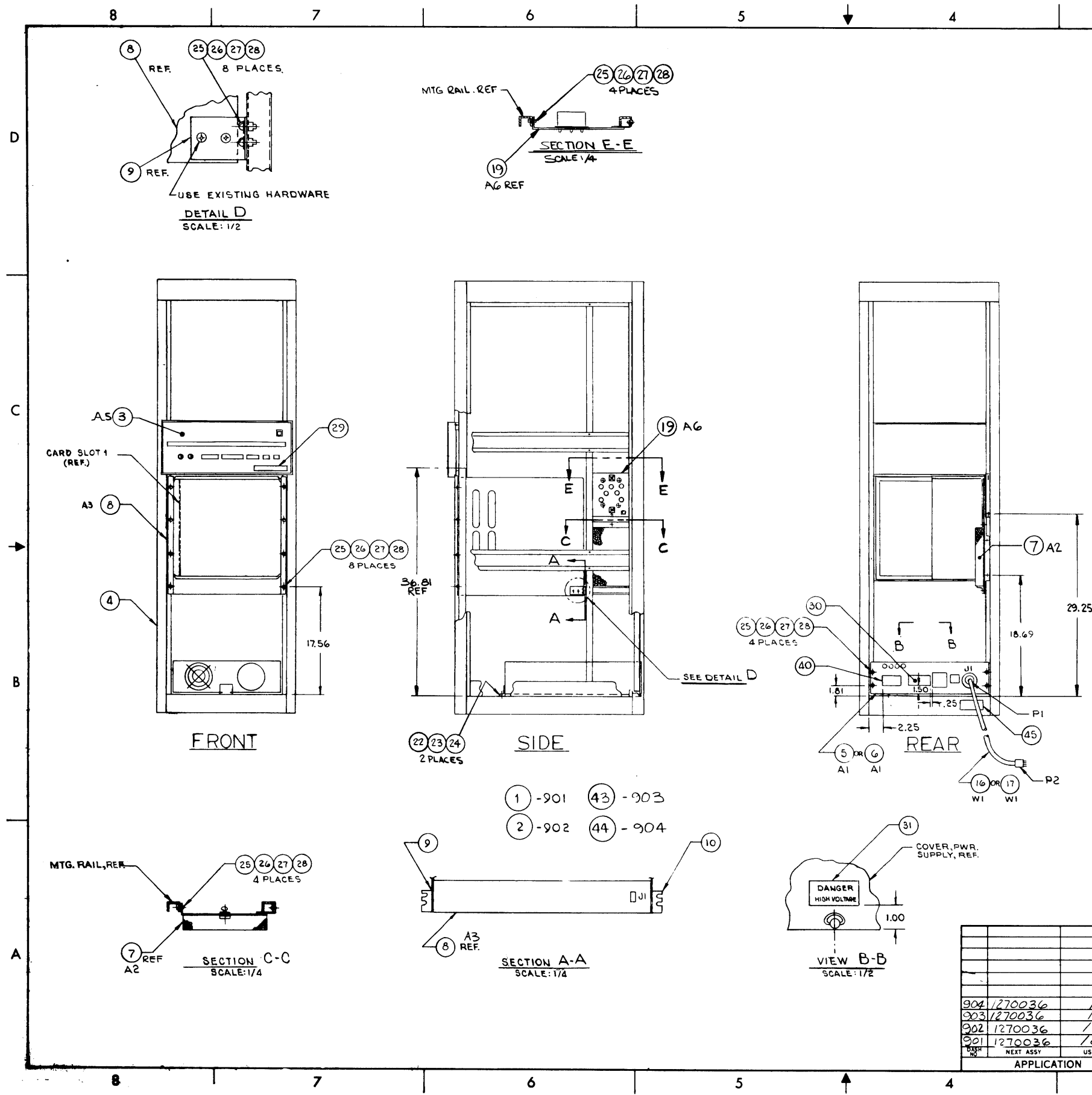
ALL DIMENSIONS ARE IN INCHES UNLESS OTHERWISE SPECIFIED		HARRIS COMPUTER SYSTEMS DIVISION	
TOLERANCES		DRAFTSMAN	8-9-76
± .002	HOLE	CHECKER	8-10-76
± .005	SURFACE FINISH	PROD ENGR	8-27-76
± .010	ROUNDED	ENGINEER	8-24-76
MATERIAL		PROJ ENGR	8-24-76
FINISH		PROPRIETARY DATA THIS DOCUMENT CONTAINS PROPRIETARY DATA OF HARRIS CORPORATION. NO DISCLOSURE, REPRODUCTION, OR USE OF ANY PART THEREOF MAY BE MADE EXCEPT BY WRITTEN PERMISSION.	
901	1270140	SLASH 6	SIZE CODE IDENT NO DRAWING NO
901	1270139	SLASH 6	D.29436 1270023
DASH NO		SCALE 1/1 CONT ON SHEET SHEET 1 OF 2	
APPLICATION			

1270023

REVISIONS			
LTR	DESCRIPTION	DATE	APPROVED



<small>PROPRIETARY DATA</small> <small>THIS DOCUMENT CONTAINS PROPRIETARY DATA OF HARRIS CORPORATION. NO DISCLOSURE, REPRODUCTION, OR USE OF ANY PART THEREOF MAY BE MADE EXCEPT BY WRITTEN PERMISSION.</small>	SIZE	CODE IDENT NO.	DRAWING NO.	REV.
	D	29436	1270023	C
SCALE 1/1		CONT ON SHEET		SHEET 2 OF 2



REVISIONS			
LTR	DESCRIPTION	DATE	APPROVED
A	ECPO477C 282-2 REV. 0, REV. ITEM 15 AND ADD ITEM 39. ARW 2-4-77	5-6-77	9/21
B	ECPO677C 569-15 REV. 0 ECPO877C 454-10 REV. 0 DONE SIMULTANEOUSLY. 2/15/78 2/23/77	8-30-77	9/21
C	ECPO977C 494- ADDED ITEM 2 (SHT. 1) AND ITEMS 39 & 21 (SHT. 2) Gene Smith 9-23-77	9-23-77	9/21
E	ECPI077C 570-1, ITEM 12 QTY WAS 2, ITEM 37 PART NO. WAS 1570122-901 2/16/78	11/2/77	9/21
F	ADDED GROUPS -903 + -904 H. M. 11/11/77	12/22/77	9/21
G	ECPO126C 011-A ADDED ITEM 43 Gene Smith 11-10-78	1-16-78	9/21

QTY REQD	QTY REQD	ITEM NO.	PART NUMBER	REFERENCE DESIGNATION	DESCRIPTION
1	1	45	6610139-001		CAUTION LABEL
X	-	44	1270031-904		CPU ASSY WITH VIRTUAL MEMORY 10POS (230V)
-	X	43	1270031-903		CPU ASSY WITH VIRTUAL MEMORY 10POS (115V)
13	13	42	2810093-004		NUT, HEX STANDARD # 8-32
13	13	41	3110037-002		WASHER, SPRING #8
1	1	40	6630010-001		UL EQUIPMENT LABEL
1	1	39	1550120-901		P.C. ASSY ADDRESS TRAP
1	1	38	1570273-901		P.C. ASSY VIRTUAL MEMORY (256KB)
1	1	37	1570270-901		P.C. ASSY UBC
1	1	36	1570121-901		P.C. ASSY PIOC
1	1	35	1550113-901		P.C. ASSY INTERVAL TIMER
1	1	34	1570115-901		P.C. ASSY OPTION BOARD
1	1	33	1830036-901	W6	CABLE ASSY VIRTUAL MEMORY TO OPTION
1	1	32	1830025-905	W5	CABLE ASSY PWR FAIL MASTER CLEAR
1	1	31	6610106-001		LABEL, DANGER HIGH VOLTAGE
1	1	30	6610130-001		LABEL, UNIT IDENT.
1	1	29	6610103-422		LOGO MODEL NUMBER
28	28	24	28	2810061-007	NUT, FLOATING CLIP #10-32
28	28	24	27	2810211-005	WASHER, FLAT #10
28	28	24	26	2810102-004	WASHER, LOCK INT. TOOTH #10
28	28	24	25	2810212-305	SCREW, PHIL. PAN HD. #10-32 x 1/2
2	2	24	24	2810211-004	WASHER, FLAT #8
2	2	23	2810102-003		WASHER, LOCK INT. TOOTH #8
2	2	22	2810212-203		SCREW, PHIL. PAN HD. 8-32 x 3/8
1	1	21	1550119-901		P.C. ASSY. PRIORITY INTERRUPT - 8 LEVEL
1	1	20	1810002-901		CONN / CONDUCTOR DIAG. 10 POSN. AC CABLE
1	1	19	1250004-901	AG	POWER SUPPLY ASSY (- 12V)
1	1	18	1810001-901		CONDUCTOR / CONNECTOR DIAG. 10 POSN. DC CABLE
1	1	17	1830022-901	W1	CABLE ASSY, PWR CHASSIS AC LINE, 3 WIRE
1	1	16	1830023-901	W1	CABLE ASSY, PWR CHASSIS 4 WIRE
1	1	15	1830107-902	W2	CABLE ASSY, PWR & SENSE IN
1	1	14	1830025-904	W3	CABLE ASSY, PWR FAIL, MASTER CLR
1	1	13	1830027-902	W4	CABLE ASSY, PWR FAIL, CLOCK
3	3	12	1570323-901		P.C. ASSY. MOS MEMORY
1	1	11	1570334-901		P.C. ASSY. CPU-IVM
1	1	10	3210114-002		BRACKET, REAR SUPPORT (L.H.)
1	1	9	3210114-001		BRACKET, REAR SUPPORT (R.H.)
1	1	8	1270133-901	A3	CHASSIS ASSY. PC W/10 POSN. BACKPLANE
1	1	7	1270023-902	A2	SHIELD ASSY PWR FAIL / LINE CLOCK
1	1	6	1270130-902	A1	POWER DIST. UNIT ASSY (115/230V)
1	1	5	1270130-901	A1	POWER DIST. UNIT ASSY. (115V)
1	1	4	1270131-901		RACK ASSY, 19.00
1	1	3	1270153-901	A5	PROGRAMMERS PANEL ASSY 19" RACK 1/6
-	-	X	2		THIS DWG-902
-	-	X	1		THIS DWG-901

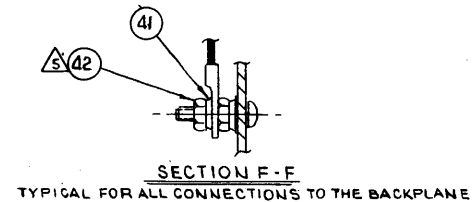
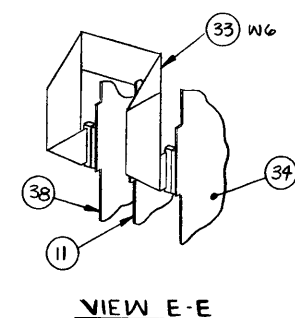
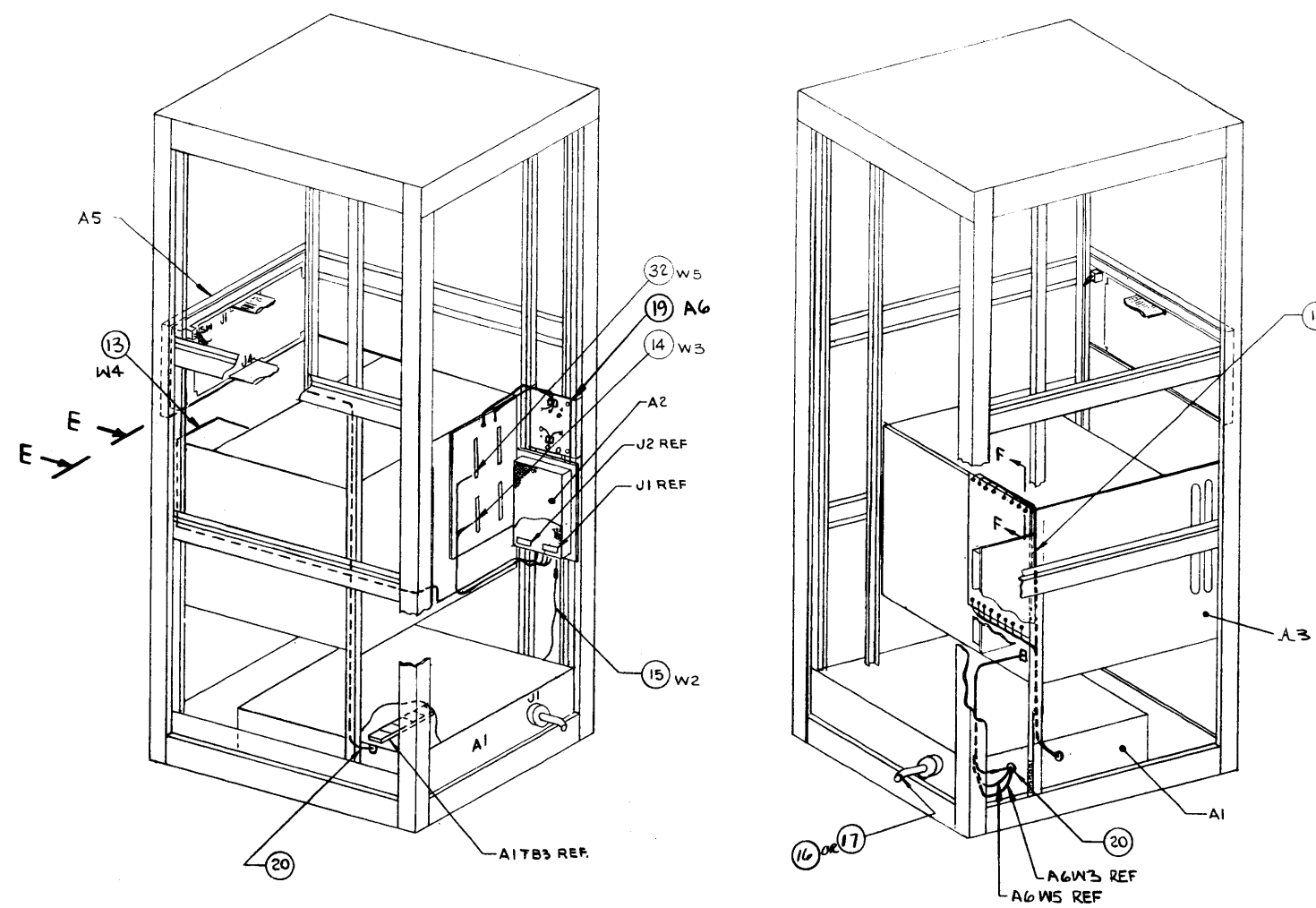
ALL DIMENSIONS ARE IN INCHES UNLESS OTHERWISE SPECIFIED TOLERANCES: ANGLES HOLES SPACES DIMENSIONS			HARRIS COMPUTER SYSTEMS DIVISION		
DRAFTSMAN: <i>H. M. Smith</i> 2-28-77 CHECKER: <i>Gene Smith</i> 3-10-77 DEV NO. MATERIAL FINISH		PROD ENGR: ENGINEER: <i>Gene Smith</i> 3-10-77 PROJ. ENG: <i>Gene Smith</i> 3-10-77		SIZE: 1/8 CODE IDENT NO: 1270031 DRAWING NO: 1270031 REV: G	
PROPRIETARY DATA THIS DOCUMENT CONTAINS PROPRIETARY DATA OF HARRIS CORPORATION. NO DISCLOSURE, REPRODUCTION, OR USE OF ANY PART THEREOF MAY BE MADE EXCEPT BY WRITTEN PERMISSION.		SCALE: 1/8 CONT. ON SHEET 2 SHEET 1 OF 2			

PCB LOCATION			
ITEM No	PCB	CARD SLOT	CHASSIS ASSY.
11	CPU-1VM 1570334	9	A3
12	M05 MEM 1570323	6,7	A3
34	OPTION 1570115	10	A3
35	INTV TIMER 1570113	MOUNTS ON OPTION PCB	A3
36	P10C 1570121	1	A3
37	UBC 1570270	A	
38	VM 1570223	B	A3
39	ADDRESS TRAP	MOUNTS ON OPTION PCB	
21	PRIORITY INTERRUPT 8-LEVEL	MOUNTS ON OPTION PCB	

CABLE CONFIGURATION CHART		
ITEM No.	FROM	TO
16 OR 17	W1-P1	A1-J1
	W1-P2	AC POWER (OUTLET)
	W2-P1	A2-J1
	W2-E1	A1-TB3-4
15	W2-E2	A1-TB3-3
	W2-E3	A1-TB3-2
	W2-E4	A1-TB3-8
	W2-E5	A1-TB3-6
14	W3-P1	A2-J2-B#9
	W3-P2	A3-J14-5 & 7
13	W4-P1	A2-J2-17 #18 (CLK)
	W4-P2	
	W4-P3	
32	W5-P1	A2-J2-1#2
	W5-P2	A3-J7-93 & 95

CABLE CONNECTION CHART		
ITEM No	FROM	TO
-	W1-E2	A3-GROUND ON BACKPLANE
-	W2-E2	A3-12 ON BACKPLANE
-	W3-E2	A1-TB3-1
-	W5-E2	A1-TB3-3
-	W6-E2	A1-TB2-4

- ▲ PUT WHITE DOT OF W3-P1 ON A2-J2-B OR A2-J2-11
- ▲ PUT WHITE DOT OF W3-P2 ON A3-J34-7
- ▲ PUT WHITE DOT OF W4-P1 ON J2-17
- ▲ CONN. PIN NO. TO BE ASSIGNED ON CONFIG LEVEL.
- ▲ TORQUE ITEM 42 TO 15 IN LBS.
- ▲ PUT WHITE DOT OF W5-P1 ON A2-J2-2 OR A2-J2-5.
- ▲ PUT WHITE DOT OF W5-P2 ON A3-J7-93
- ▲ LOCATION ASSIGNED AT SYSTEM CONFIGURATION

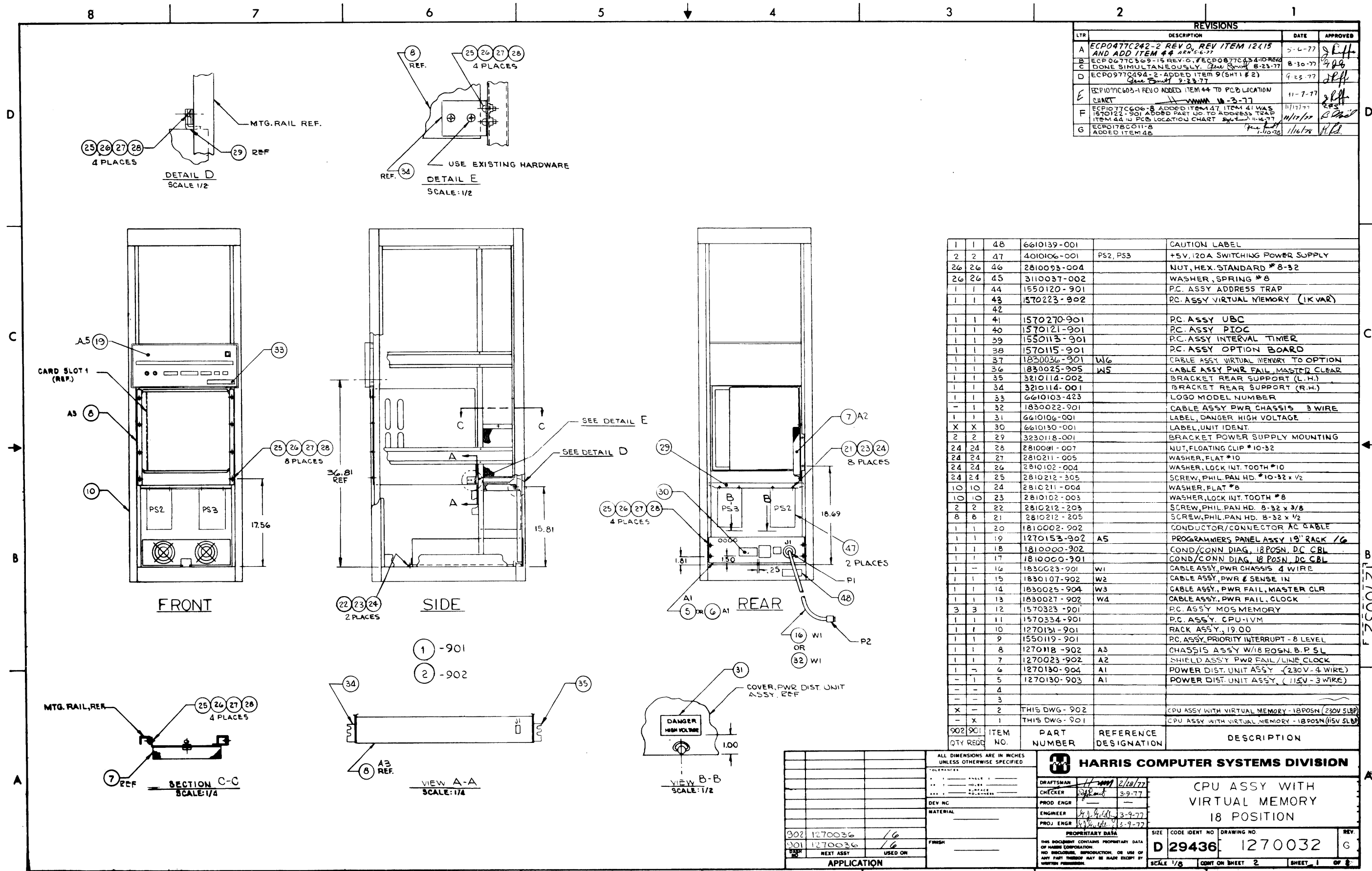


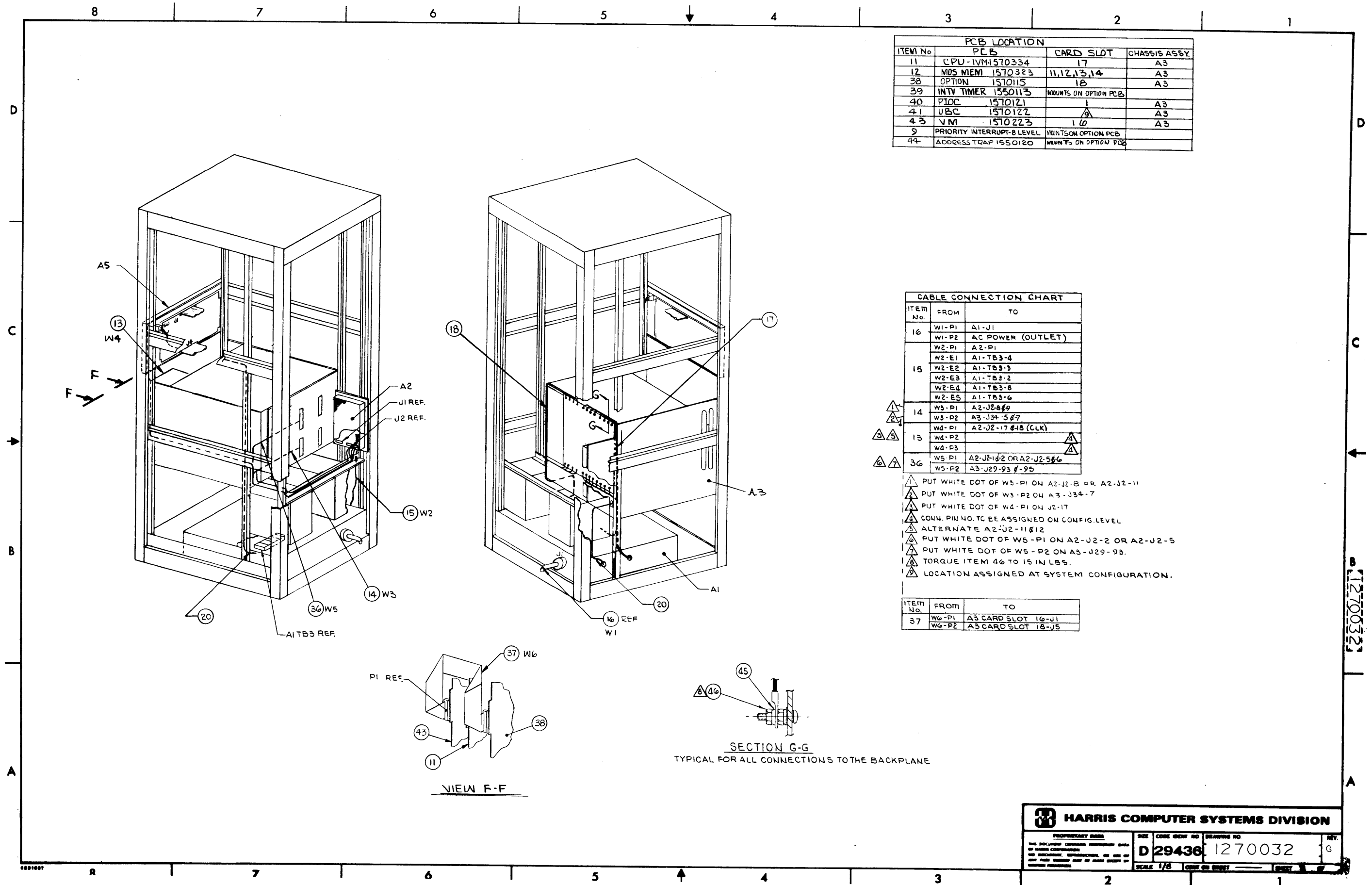
HARRIS COMPUTER SYSTEMS DIVISION

PROPRIETARY DATA
THIS DOCUMENT CONTAINS PROPRIETARY DATA OF HARRIS CORPORATION. NO DISCLOSURE, REPRODUCTION, OR USE OF ANY PART THEREOF MAY BE MADE EXCEPT BY WRITTEN PERMISSION.

SIZE: D
CODE IDENT. NO.: 29436
DRAWING NO.: 1270031
REV: G

SCALE: 1/8
CONT ON SHEET
SHEET 3 OF 3





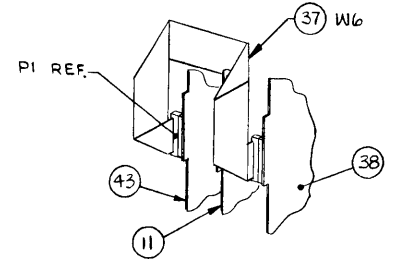
PCB LOCATION			
ITEM No.	PCB	CARD SLOT	CHASSIS ASSY.
11	CPU-1VMH570334	17	A3
12	MDS MEM 1570323	11,12,13,14	A3
38	OPTION 1570115	18	A3
39	INTV TIMER 1550113	MOUNTS ON OPTION PCB	
40	PIDC 1570121	1	A3
41	UBC 1570122	△	A3
43	VIM 1570223	10	A3
9	PRIORITY INTERRUPT-B LEVEL	MOUNTS ON OPTION PCB	
44	ADDRESS TRAP 1550120	MOUNTS ON OPTION PCB	

CABLE CONNECTION CHART

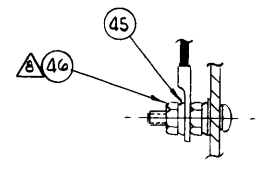
ITEM No.	FROM	TO
16	W1-P1	A1-J1
	W1-P2	AC POWER (OUTLET)
	W2-P1	A2-P1
15	W2-E1	A1-TB3-4
	W2-E2	A1-TB3-3
	W2-E3	A1-TB3-2
	W2-E4	A1-TB3-8
	W2-E5	A1-TB3-6
14	W3-P1	A2-J2-8
	W3-P2	A3-J34-5/7
13	W4-P1	A2-J2-17 & 18 (CLK)
	W4-P2	
	W4-P3	
36	W5-P1	A2-J2-2 OR A2-J2-5
	W5-P2	A3-J29-93 & 95

- △ PUT WHITE DOT OF W3-P1 ON A2-J2-8 OR A2-J2-11
- △ PUT WHITE DOT OF W3-P2 ON A3-J34-7
- △ PUT WHITE DOT OF W4-P1 ON J2-17
- △ CONN. PIN NO. TO BE ASSIGNED ON CONFIG LEVEL
- △ ALTERNATE A2-J2-11 & 12
- △ PUT WHITE DOT OF W5-P1 ON A2-J2-2 OR A2-J2-5
- △ PUT WHITE DOT OF W5-P2 ON A3-J29-93.
- △ TORQUE ITEM 46 TO 15 IN LBS.
- △ LOCATION ASSIGNED AT SYSTEM CONFIGURATION.

ITEM No.	FROM	TO
37	W6-P1	A3 CARD SLOT 16-J1
	W6-P2	A3 CARD SLOT 18-J5



VIEW F-F

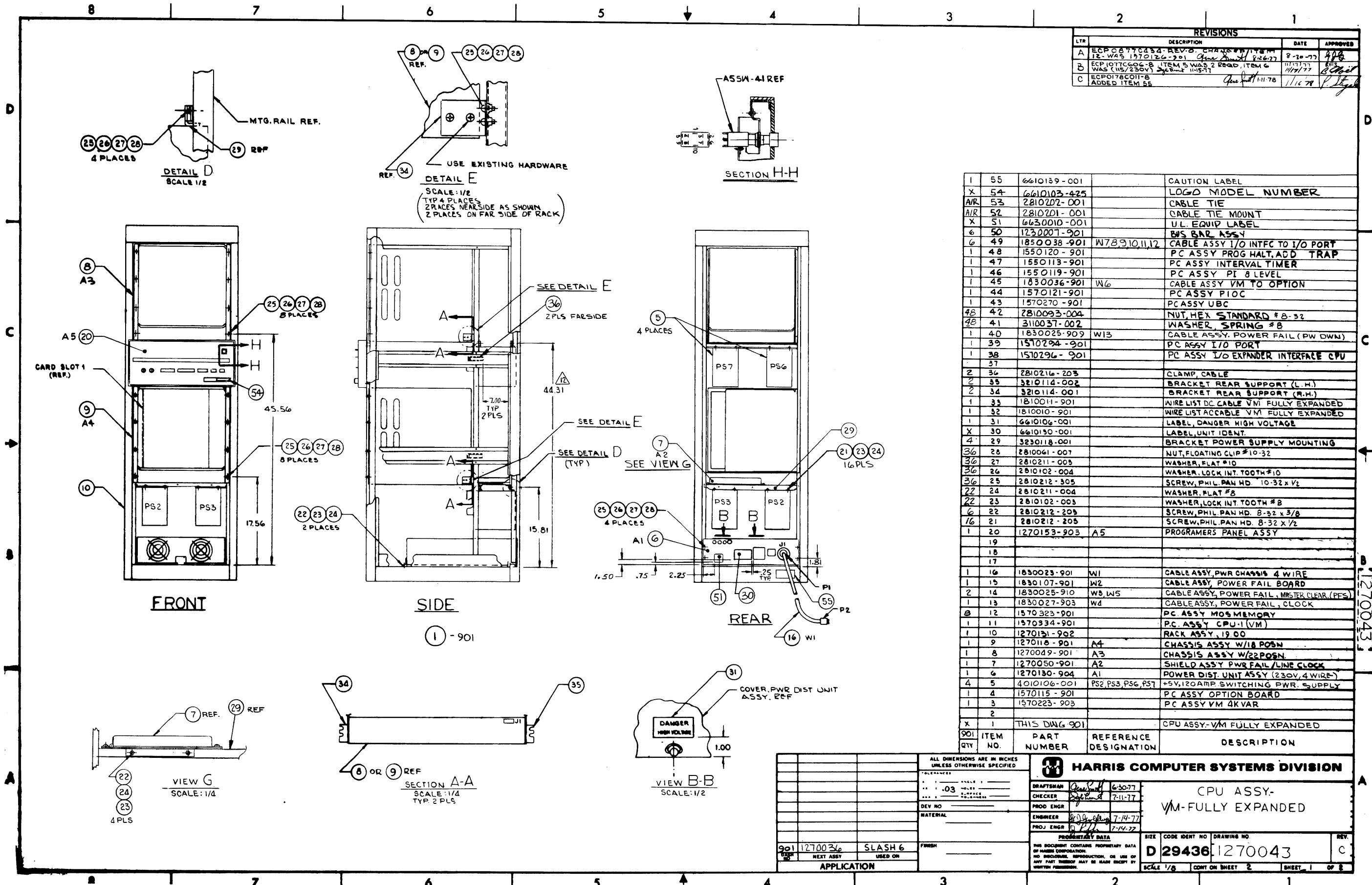


SECTION G-G
TYPICAL FOR ALL CONNECTIONS TO THE BACKPLANE

HARRIS COMPUTER SYSTEMS DIVISION

PROPRIETARY ITEM
THIS DOCUMENT CONTAINS PROPRIETARY DATA
OF HARRIS CORPORATION. IT IS TO BE USED
ONLY FOR THE PURPOSES FOR WHICH IT IS
ISSUED AND NOT BE REPRODUCED OR
DISSEMINATED IN ANY MANNER WITHOUT
THE WRITTEN PERMISSION OF HARRIS CORPORATION.

SIZE	CODE	REV. NO.	DRAWING NO.	REV.
D	29436		1270032	G
SCALE 1/8		CHECK ON SHEET		DATE

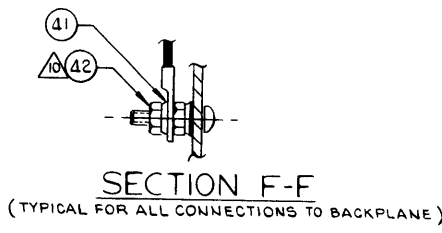


REVISIONS			
LTR	DESCRIPTION	DATE	APPROVED
A	ECPO8770434-REV. B. CHASSIS #1 ITEM 12 WAS 1570126-901	8-20-77	APB
B	ECPO1077066-B ITEM 5 WAS 2 RECD, ITEM 6 WAS (NS/230V)	11/17/77	APB
C	ECPO1780011-B ADDED ITEM 55	1/16/78	APB

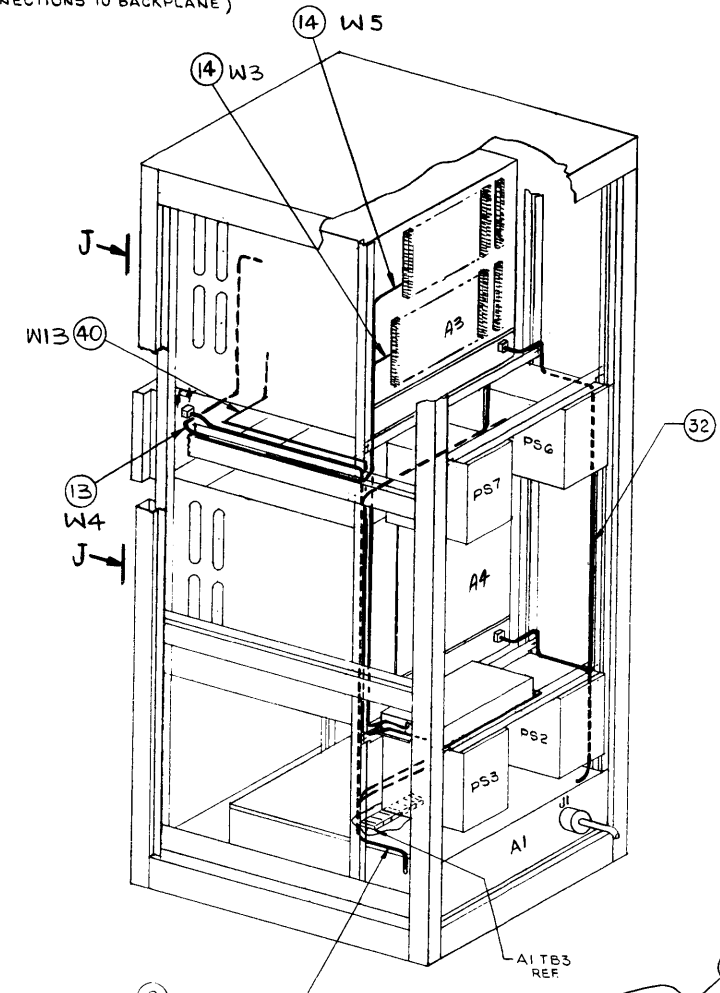
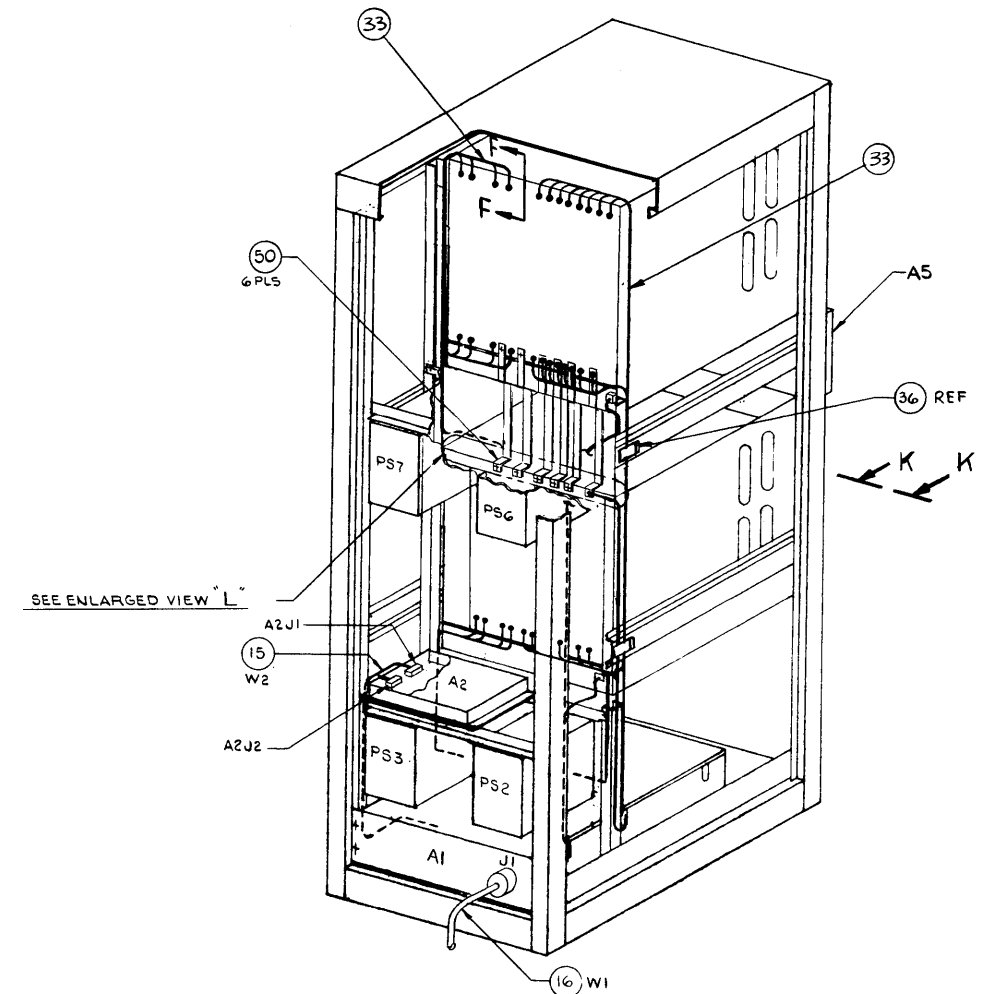
QTY	ITEM NO.	PART NUMBER	REFERENCE DESIGNATION	DESCRIPTION
1	55	6610139-001		CAUTION LABEL
X	54	6610103-425		LOGO MODEL NUMBER
AWR	53	2810202-001		CABLE TIE
AWR	52	2810201-001		CABLE TIE MOUNT
X	51	6630010-001		U.L. EQUIP LABEL
6	50	1230007-901		BUS BAR ASSY
6	49	1850038-901	W7,8,9,10,11,12	CABLE ASSY I/O INTFC TO I/O PORT
1	48	1550120-901		PC ASSY PROG HALT, ACC TRAP
1	47	1550113-901		PC ASSY INTERVAL TIMER
1	46	1550119-901		PC ASSY PI 8 LEVEL
1	45	1830036-901	W6	CABLE ASSY VM TO OPTION
1	44	1570121-901		PC ASSY PI OC
1	43	1570270-901		PC ASSY UBC
48	42	2810093-004		NUT, HEX STANDARD #8-32
48	41	3110037-002		WASHER, SPRING #8
1	40	1830025-909	W13	CABLE ASSY. POWER FAIL (PW DWN)
1	39	1510294-901		PC ASSY I/O PORT
1	38	1510296-901		PC ASSY I/O EXPANDER INTERFACE CPU
	37			
2	36	2810216-203		CLAMP, CABLE
2	35	3210114-002		BRACKET REAR SUPPORT (L.H.)
2	34	3210114-001		BRACKET REAR SUPPORT (R.H.)
1	33	1810011-901		WIRE LIST DC CABLE VM FULLY EXPANDED
1	32	1810010-901		WIRE LIST ACCABLE VM FULLY EXPANDED
1	31	6610106-001		LABEL, DANGER HIGH VOLTAGE
X	30	6610150-001		LABEL, UNIT IDENT.
4	29	3230118-001		BRACKET POWER SUPPLY MOUNTING
36	28	2810061-007		NUT, FLOATING CLIP #10-32
36	27	2810211-003		WASHER, FLAT #10
36	26	2810102-004		WASHER, LOCK INT. TOOTH #10
36	25	2810212-305		SCREW, PHIL. PAN HD. 10-32 x 1/2
22	24	2810211-004		WASHER, FLAT #8
22	23	2810102-003		WASHER, LOCK INT TOOTH #8
6	22	2810212-203		SCREW, PHIL. PAN HD. 8-32 x 3/8
16	21	2810212-203		SCREW, PHIL. PAN HD. 8-32 x 1/2
1	20	1270153-903	A5	PROGRAMERS PANEL ASSY
	19			
	18			
	17			
1	16	1830023-901	W1	CABLE ASSY, PWR CHASSIS 4 WIRE
1	15	1830107-901	W2	CABLE ASSY, POWER FAIL BOARD
2	14	1830025-910	W3, W5	CABLE ASSY, POWER FAIL, MASTER CLEAR (PFS)
1	13	1830027-903	W4	CABLE ASSY, POWER FAIL, CLOCK
8	12	1570323-901		PC ASSY MOS MEMORY
1	11	1570334-901		PC ASSY CPU-1 (VM)
1	10	1270131-902		RACK ASSY, 19 00
1	9	1270118-901	A4	CHASSIS ASSY W/18 POSN
1	8	1270049-901	A3	CHASSIS ASSY W/22 POSN
1	7	1270050-901	A2	SHIELD ASSY PWR FAIL/LINE CLOCK
1	6	1270130-904	A1	POWER DIST. UNIT ASSY (230V, 4 WIRE)
4	5	4010106-001	PS2, PS3, PS6, PS7	+5V, 120AMP SWITCHING PWR. SUPPLY
1	4	1570115-901		PC ASSY OPTION BOARD
1	3	1570223-903		PC ASSY VM 4K VAR
	2			
X	1	THIS DWG 901		CPU ASSY-VM FULLY EXPANDED

ALL DIMENSIONS ARE IN INCHES UNLESS OTHERWISE SPECIFIED .03 HOLES .005 TOLERANCE MATERIAL: _____ FINISH: _____ APPLICATION: _____ NEXT ASSY: _____ USED ON: _____		HARRIS COMPUTER SYSTEMS DIVISION DRAFTSMAN: _____ 6-30-77 CHECKER: _____ 7-11-77 PROD ENGR: _____ ENGINEER: _____ 7-14-77 PROJ ENGR: _____ 7-14-77 PRELIMINARY DATA THIS DOCUMENT CONTAINS PROPRIETARY DATA OF HARRIS CORPORATION. NO REPRODUCTION, REPRODUCTION, OR USE OF ANY PART THEREOF MAY BE MADE WITHOUT WRITTEN PERMISSION.	
SIZE: _____ CODE IDENT NO: _____ DRAWING NO: D 29436 SCALE: 1/8 CONT ON SHEET: 2 SHEET: 1 OF 2		CPU ASSY-VM FULLY EXPANDED REV. C	

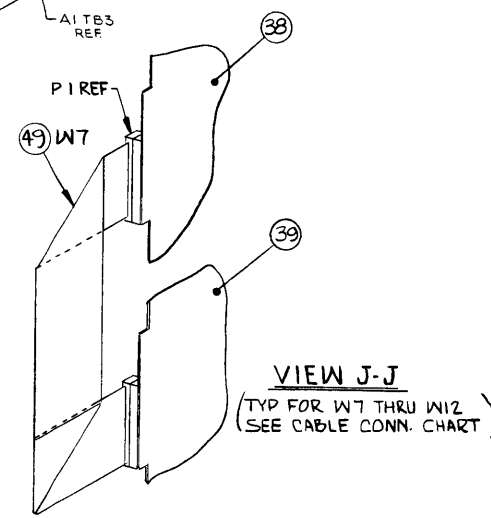
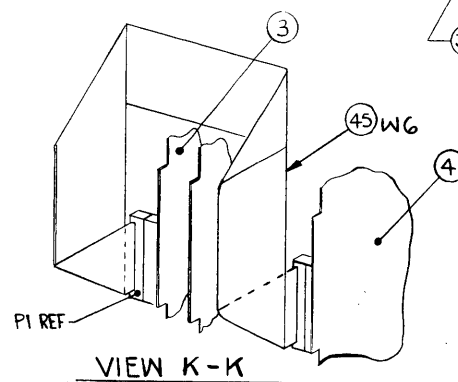
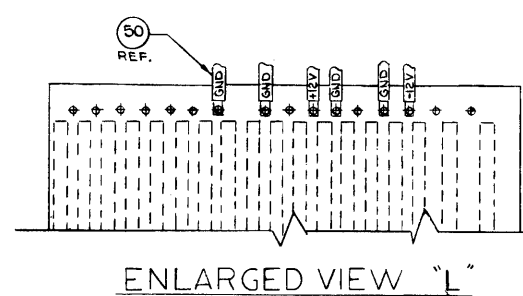
8 7 6 5 4 3 2 1



ITEM NO.	PCB	CARD SLOT	CHASSIS ASSY.
11	CPU-1(4) 1570334	21	A3
12	MOS MEMORY 1570323	10 THRU 17	A3
38	I/O EXPANDER INTFC 1570296	18	A3
39	I/O PORT 1570294	18	A4
3	VM 1570223	20	A3
4	OPTION 1570115	22	A3
43	UBC 1570270	9, 11	A4
44	PIOC 1570121		A4
47	INTR TIMER 1550133	MOUNTS ON OPTION BD.	A3
48	PROG HALT, ADD TRAP 1550120-901	MOUNTS ON OPTION BD.	A3
46	PI 1550119	MOUNTS ON OPTION BD.	A3



ITEM NO.	FROM	TO
16	W1-P1	A1-J1
	W1-P2	AC POWER (OUTPUT)
	W2-P1	A2-J1
15	W2-E1	A1-TB3-4
	W2-E2	A1-TB3-3
	W2-E3	A1-TB3-2
	W2-E4	A1-TB3-8
	W2-E5	A1-TB3-6
14	W3-P1	A2-J2-8 & 9
	W3-P2	A3-J42-5 & 7
13	W4-P1	A2-J2-17 & 18 CLK
	W4-P2	CLOCK
	W4-P3	GROUND
14	W5-P1	A2-J2-1 & 2
	W5-P2	A3-J29-93 & 95
45	W6-P1	A3-CARD SLOT 20 J1
	W6-P2	A3-CARD SLOT 22 J5
49	W7-P1	A3-(I/O INTFC) J1 OF ITEM 38
	W7-P2	A4 (I/O PORT) J1
	W8-P1	A3 (I/O INTFC) J2
	W8-P2	A4 (I/O PORT) J2
	W9-P1	A3 (I/O INTFC) J3
	W9-P2	A4 (I/O PORT) J3
	W10-P1	A3 (I/O INTFC) J4
	W10-P2	A4 (I/O PORT) J4
	W11-P1	A3 (I/O INTFC) J5
	W11-P2	A4 (I/O PORT) J5
	W12-P1	A3 (I/O INTFC) J6
	W12-P2	A4 (I/O PORT) J6 OF ITEM 39
40	W13-P1	A2-J2-13 & 14
	W13-P2	A3 CARD SLOT 22 J4-1 & 2



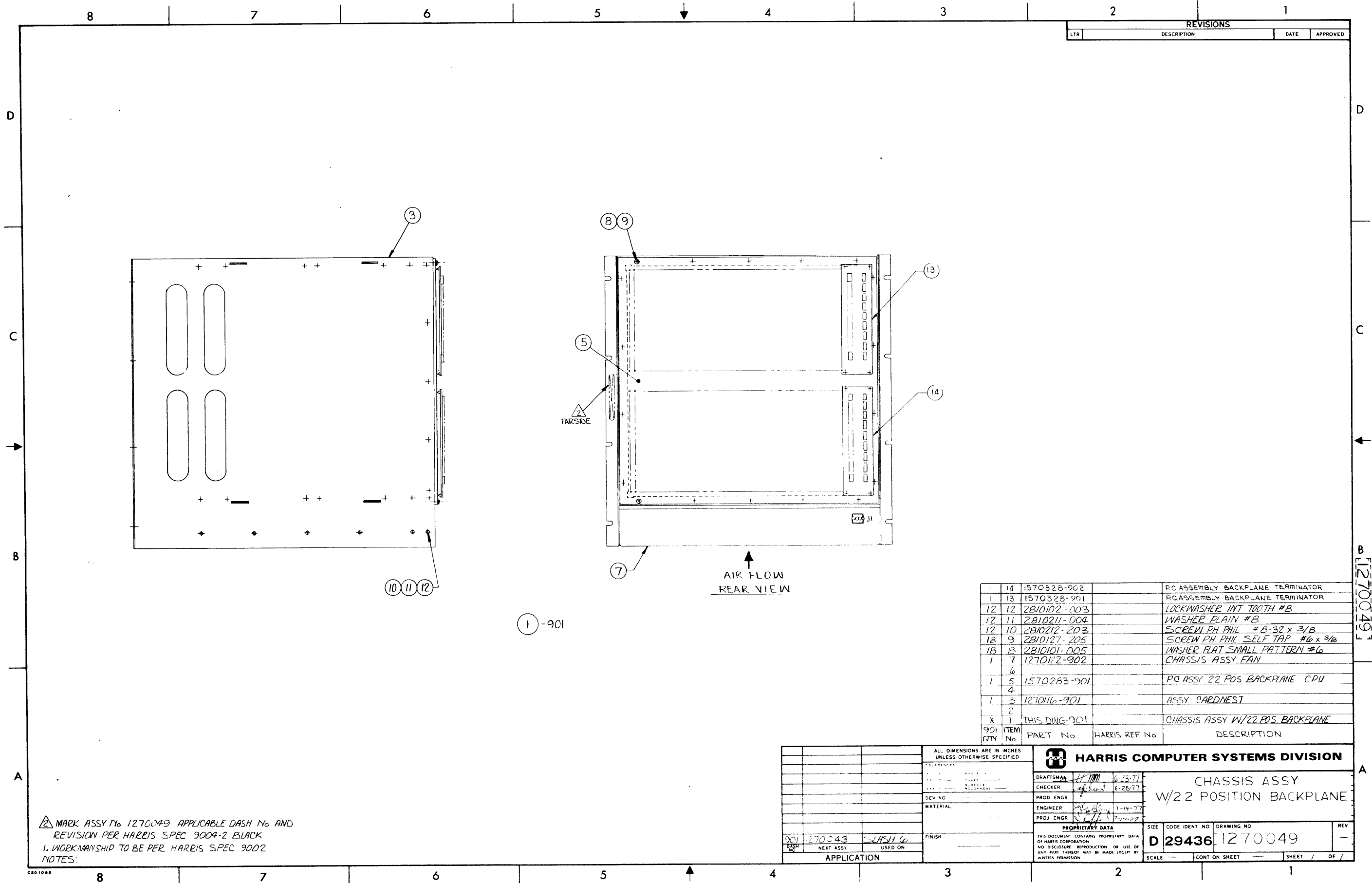
- 13 WORKMANSHIP TO BE PER HARRIS SPEC 9002
 - 12 THIS DIMENSION MUST BE MAINTAINED IN ORDER FOR THE POWER SUPPLIES NOT TO INTERFERE WITH THE BUS BARS
 - 11 MUST BE LOCATED IN A4 IF PRESENT
 - 10 TORQUE ITEM A2 TO 15 IN. LBS
 - 9 LOCATION ASSIGNED AT SYSTEM CONFIGURATION
 - 8 A. ALTERNATE A2-J2-11 & 12
B. ALTERNATE A2-J2-5 & 6
 - 7 PUT WHITE DOT OF W5-P2 - A3-J29-93
 - 6 PUT WHITE DOT OF W5-P1 ON A2-J2-2 OR A2-J2-5
 - 5 PUT WHITE DOT OF W13-P2 ON A3-J4-1
 - 4 PUT WHITE DOT OF W13-P1 ON A2-J2-14
 - 3 PUT WHITE DOT OF W4-P1 ON A2-J2-17
 - 2 PUT WHITE DOT OF W3-P2 ON A3-J34-7
 - 1 PUT WHITE DOT OF W3-P1 ON A2-J2-8 OR A2-J2-11
- NOTES

HARRIS COMPUTER SYSTEMS DIVISION

PROPRIETARY DATA

THIS DOCUMENT CONTAINS PROPRIETARY DATA OF HARRIS CORPORATION. NO DISCLOSURE, REPRODUCTION, OR USE OF ANY PART THEREOF MAY BE MADE EXCEPT BY WRITTEN PERMISSION.

SIZE	CODE IDENT. NO.	DRAWING NO.	REV.
D 29436	1270043		C
SCALE 1/8	COPY ON SHEET		SHEET 2 OF 2



REVISIONS			
LTR	DESCRIPTION	DATE	APPROVED

① - 901

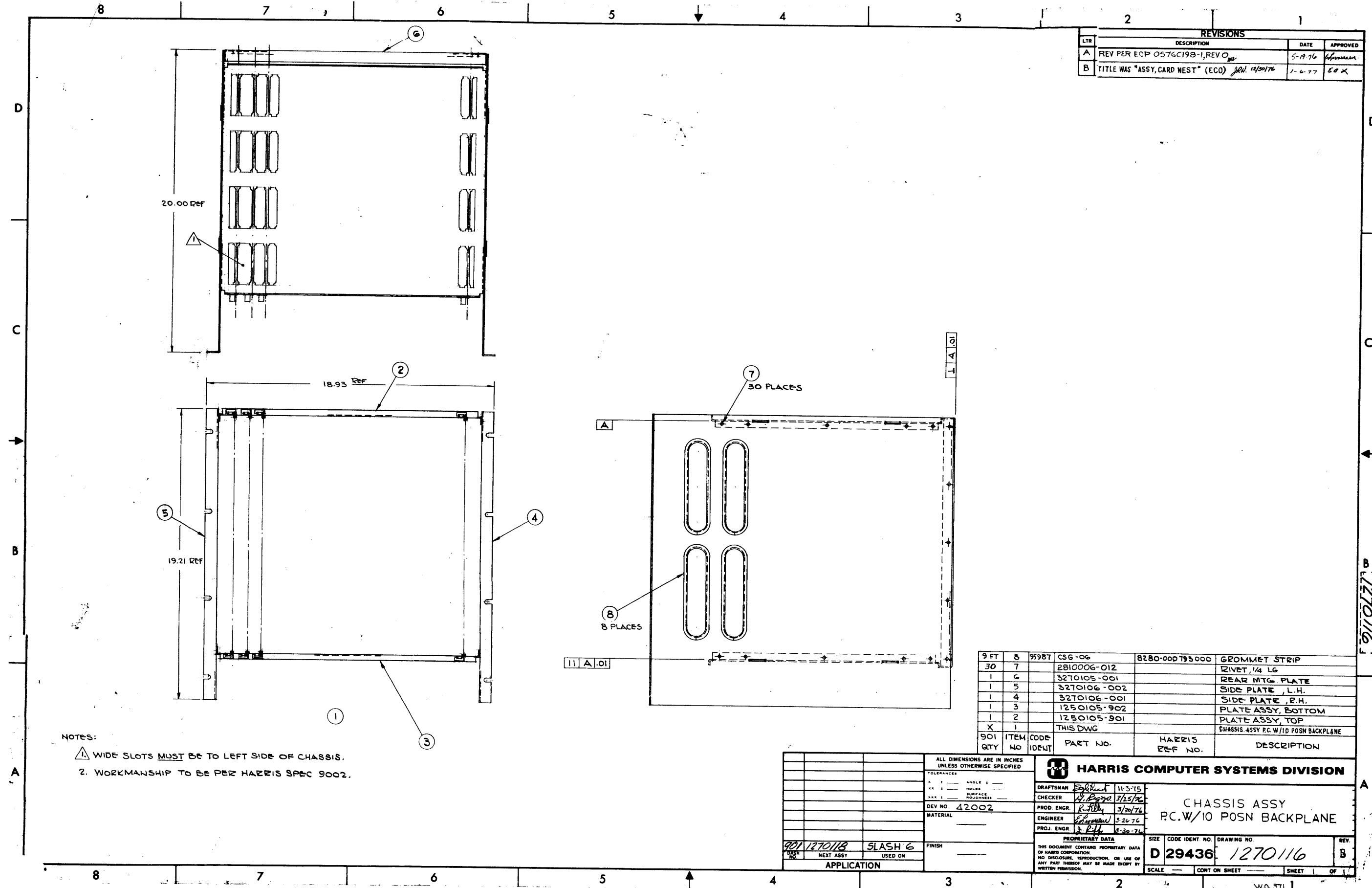
QTY	ITEM No	PART No	HARRIS REF No	DESCRIPTION
1	14	1570328-902		PC ASSEMBLY BACKPLANE TERMINATOR
1	13	1570328-901		PC ASSEMBLY BACKPLANE TERMINATOR
12	12	2810102-003		LOCKWASHER INT TOOTH #B
12	11	2810211-004		WASHER PLAIN #B
12	10	2810212-203		SCREW PH PHIL # 8-32 x 3/8
18	9	2810127-205		SCREW PH PHIL SELF TAP # 6 x 3/8
18	8	2810101-005		WASHER PLAT SMALL PATTERN #6
1	7	1270112-902		CHASSIS ASSY FAN
1	6	1570283-901		PC ASSY 22 POS BACKPLANE CPU
1	5	1270116-901		ASSY CARDNEST
X	2	THIS DWG-901		CHASSIS ASSY W/22 POS. BACKPLANE

MARK ASSY No 1270049 APPLICABLE DASH No AND REVISION PER HARRIS SPEC 9004-2 BLACK
1. WORKMANSHIP TO BE PER HARRIS SPEC 9002
NOTES:

ALL DIMENSIONS ARE IN INCHES UNLESS OTHERWISE SPECIFIED		HARRIS COMPUTER SYSTEMS DIVISION	
DRAFTSMAN	6-25-77	CHASSIS ASSY W/22 POSITION BACKPLANE	
CHECKER	6-28-77	SIZE	CODE IDENT NO
DEV ENGR		D	1270049
ENGR	1-14-77	DRAWING NO	REV
PROJ ENGR	7-22-77		
FINISH		THIS DOCUMENT CONTAINS PROPRIETARY DATA OF HARRIS CORPORATION. NO DISCLOSURE, REPRODUCTION OR USE OF ANY PART THEREOF MAY BE MADE EXCEPT BY WRITTEN PERMISSION.	
DASH No	1270043	SCALE	CONT ON SHEET
NEXT ASSY			
USED ON			
APPLICATION			

1270049

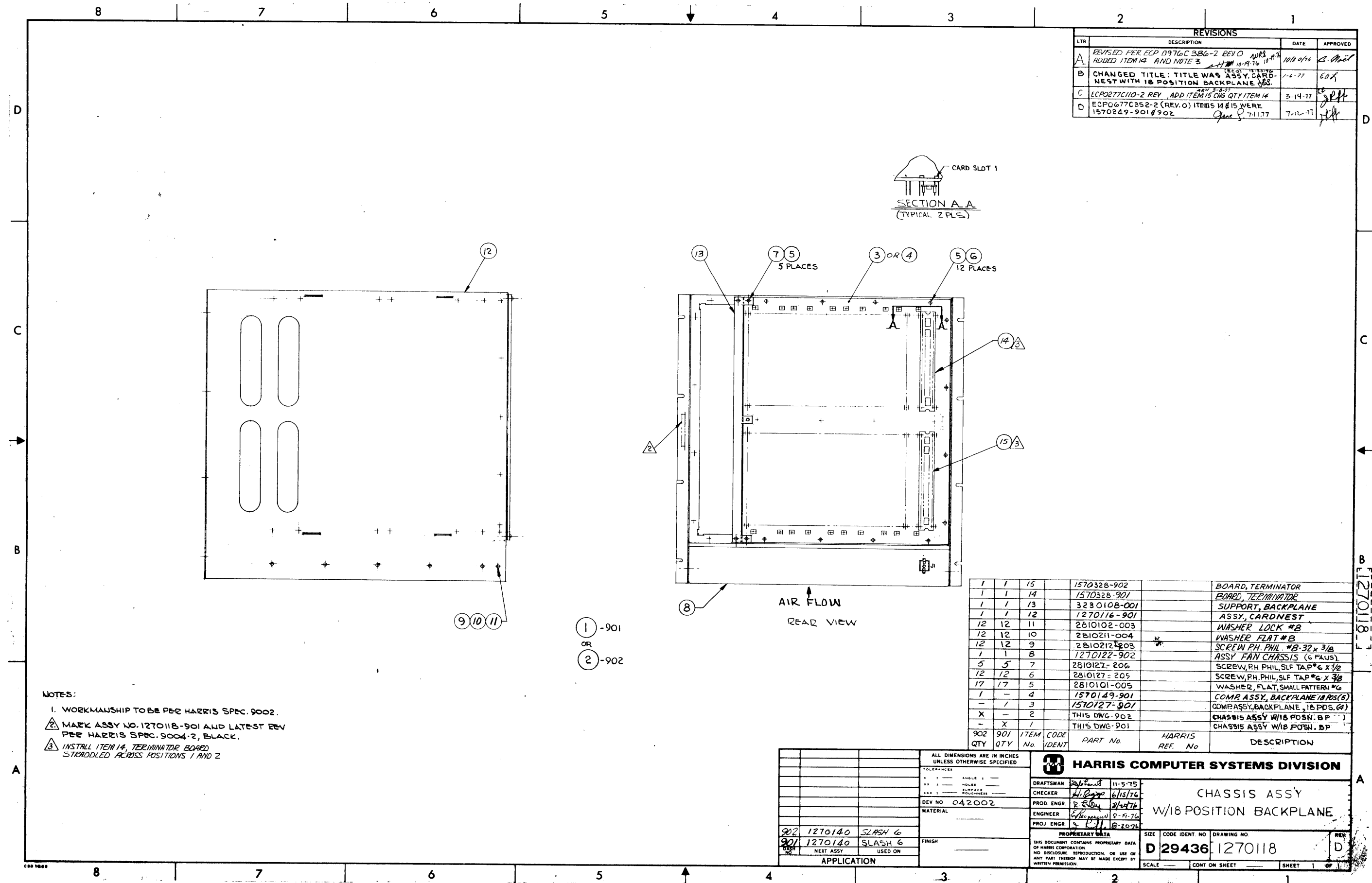
REVISIONS			
LTR	DESCRIPTION	DATE	APPROVED
A	REV PER ECP 0576C198-1, REV 0	5-19-76	[Signature]
B	TITLE WAS "ASSY, CARD NEST" (ECO) <i>per 12/30/76</i>	1-6-77	ESK



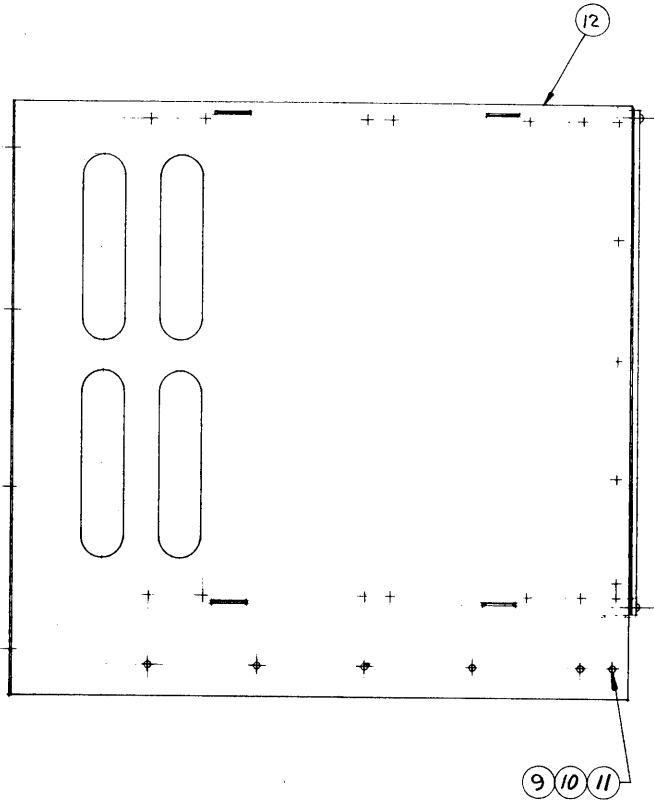
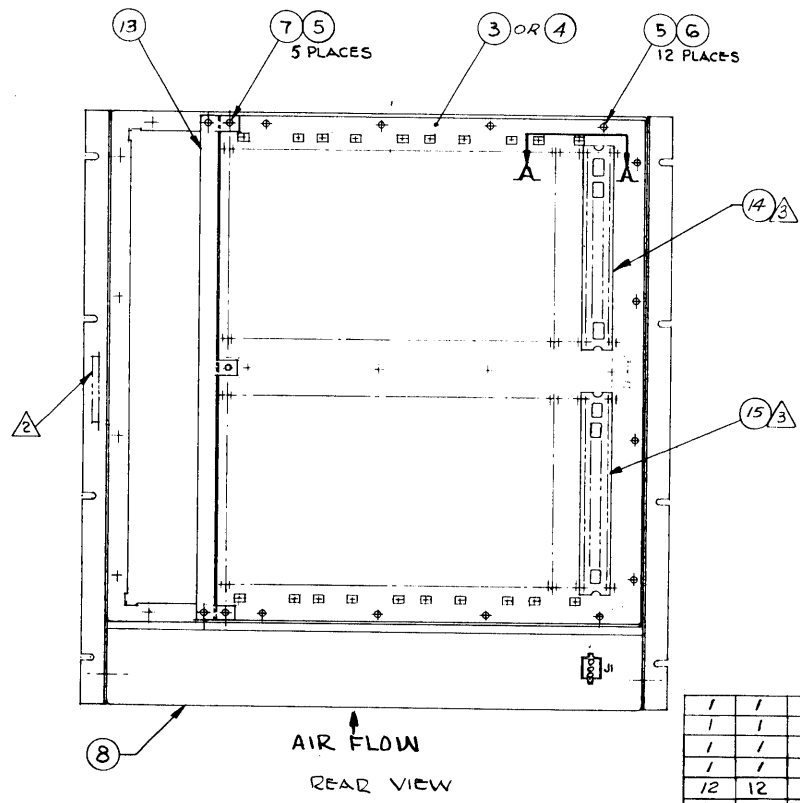
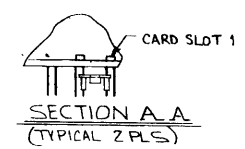
NOTES:
 1. WIDE SLOTS MUST BE TO LEFT SIDE OF CHASSIS.
 2. WORKMANSHIP TO BE PER HARRIS SPEC 9002.

QTY	ITEM NO	CODE IDENT	PART NO.	HARRIS REF NO.	DESCRIPTION
9 FT	8	95987	CSG-06	8280-000793000	GROMMET STRIP
30	7		2810006-012		RIVET, 1/4 LG
1	6		3270105-001		REAR MTG PLATE
1	5		3270106-002		SIDE PLATE, L.H.
1	4		3270106-001		SIDE PLATE, R.H.
1	3		1250105-902		PLATE ASSY, BOTTOM
1	2		1250105-901		PLATE ASSY, TOP
X	1		THIS DWG		CHASSIS ASSY P.C. W/10 POSN BACKPLANE

ALL DIMENSIONS ARE IN INCHES UNLESS OTHERWISE SPECIFIED TOLERANCES X ± ANGLE ± XX ± HOLES ± XXX ± SURFACE ROUGHNESS ±		HARRIS COMPUTER SYSTEMS DIVISION DRAFTSMAN [Signature] 11-3-75 CHECKER [Signature] 3/25/76 PROD. ENGR. [Signature] 3/20/76 ENGINEER [Signature] 3-26-76 PROJ. ENGR. [Signature] 5-20-76	
DEV NO. 42002 MATERIAL _____ FINISH _____		CHASSIS ASSY P.C. W/10 POSN BACKPLANE SIZE CODE IDENT NO. DRAWING NO. D 29436 1270116	
PROPRIETARY DATA THIS DOCUMENT CONTAINS PROPRIETARY DATA OF HARRIS CORPORATION. NO DISCLOSURE, REPRODUCTION, OR USE OF ANY PART THEREOF MAY BE MADE EXCEPT BY WRITTEN PERMISSION.		SCALE _____ CONT ON SHEET _____ SHEET _____ OF _____	



REVISIONS			
LTR	DESCRIPTION	DATE	APPROVED
A	REVISED PER ECP 0976C 386-2 REV 0 ADDED ITEM 14 AND NOTE 3	10/20/76	C. Noel
B	CHANGED TITLE: TITLE WAS ASSY, CARD- NEST WITH 18 POSITION BACKPLANE	1-6-77	GAH
C	ECP0277C110-2 REV. ADD ITEM 15 CHG QTY ITEM 14	3-14-77	GAH
D	ECP0677C352-2 (REV. 0) ITEMS 14 & 15 WERE 1570249-901 & 902	7-12-77	GAH



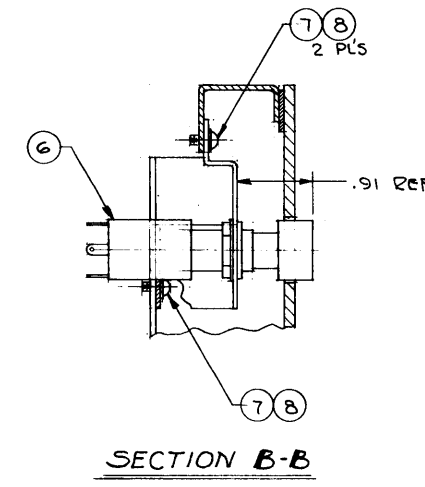
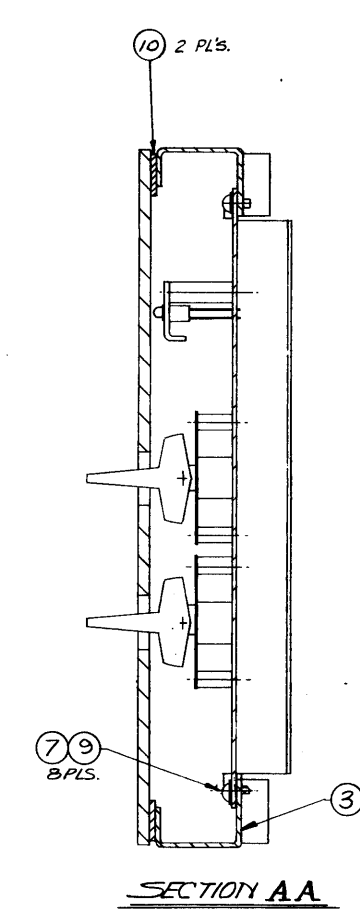
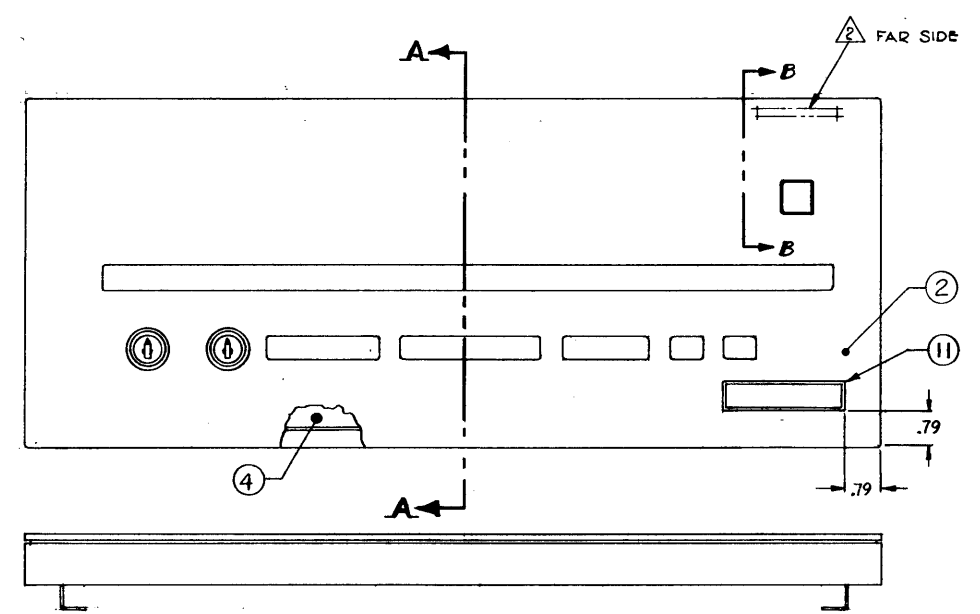
QTY	ITEM No	CODE IDENT	PART No	HARRIS REF. No	DESCRIPTION
1	1	15	1570328-902		BOARD, TERMINATOR
1	1	14	1570328-901		BOARD, TERMINATOR
1	1	13	3230108-001		SUPPORT, BACKPLANE
1	1	12	1270116-901		ASSY, CARDNEST
12	12	11	2810102-003		WASHER LOCK #B
12	12	10	2810211-004		WASHER FLAT #B
12	12	9	2810212-203		SCREW PH. PHIL #B-32 x 3/8
1	1	8	1270122-902		ASSY FAN CHASSIS (6 FANS)
5	5	7	2810127-206		SCREW, PH. PHIL, SLF TAP #6 x 1/2
12	12	6	2810127-205		SCREW, PH. PHIL, SLF TAP #6 x 3/8
17	17	5	2810101-005		WASHER, FLAT, SMALL PATTERN #6
1	-	4	1570149-901		COMP ASSY, BACKPLANE (18 POS)
-	1	3	1570127-901		COMP ASSY, BACKPLANE, 18 PDS. (A)
X	-	2	THIS DWG-902		CHASSIS ASSY W/18 POSN: B P
-	X	1	THIS DWG-901		CHASSIS ASSY W/18 POSN: BP

- NOTES:
- WORKMANSHIP TO BE PER HARRIS SPEC. 9002.
 - MARK ASSY NO. 1270118-901 AND LATEST REV PER HARRIS SPEC. 9004-2, BLACK.
 - INSTALL ITEM 14, TERMINATOR BOARD STRADDLED ACROSS POSITIONS 1 AND 2.

- 1 -901
OR
2 -902

ALL DIMENSIONS ARE IN INCHES UNLESS OTHERWISE SPECIFIED		HARRIS COMPUTER SYSTEMS DIVISION	
TOLERANCES	ANGLE	DRAFTSMAN	11-5-75
X ±	°	CHECKER	6/15/76
F ±		PROD ENGR	2/24/76
MAX ±		ENGINEER	8-11-76
		PROJ ENGR	3-11-76
DEV NO 042002		MATERIAL	
FINISH		PROPRIETARY DATA	
APPLICATION		THIS DOCUMENT CONTAINS PROPRIETARY DATA OF HARRIS CORPORATION. NO DISCLOSURE, REPRODUCTION, OR USE OF ANY PART THEREOF MAY BE MADE EXCEPT BY WRITTEN PERMISSION.	
902 1270140 SLASH 6	901 1270140 SLASH 6	SIZE	CODE IDENT NO
		D 29436	1270118
		SCALE	CONT ON SHEET
			SHEET 1 OF 1

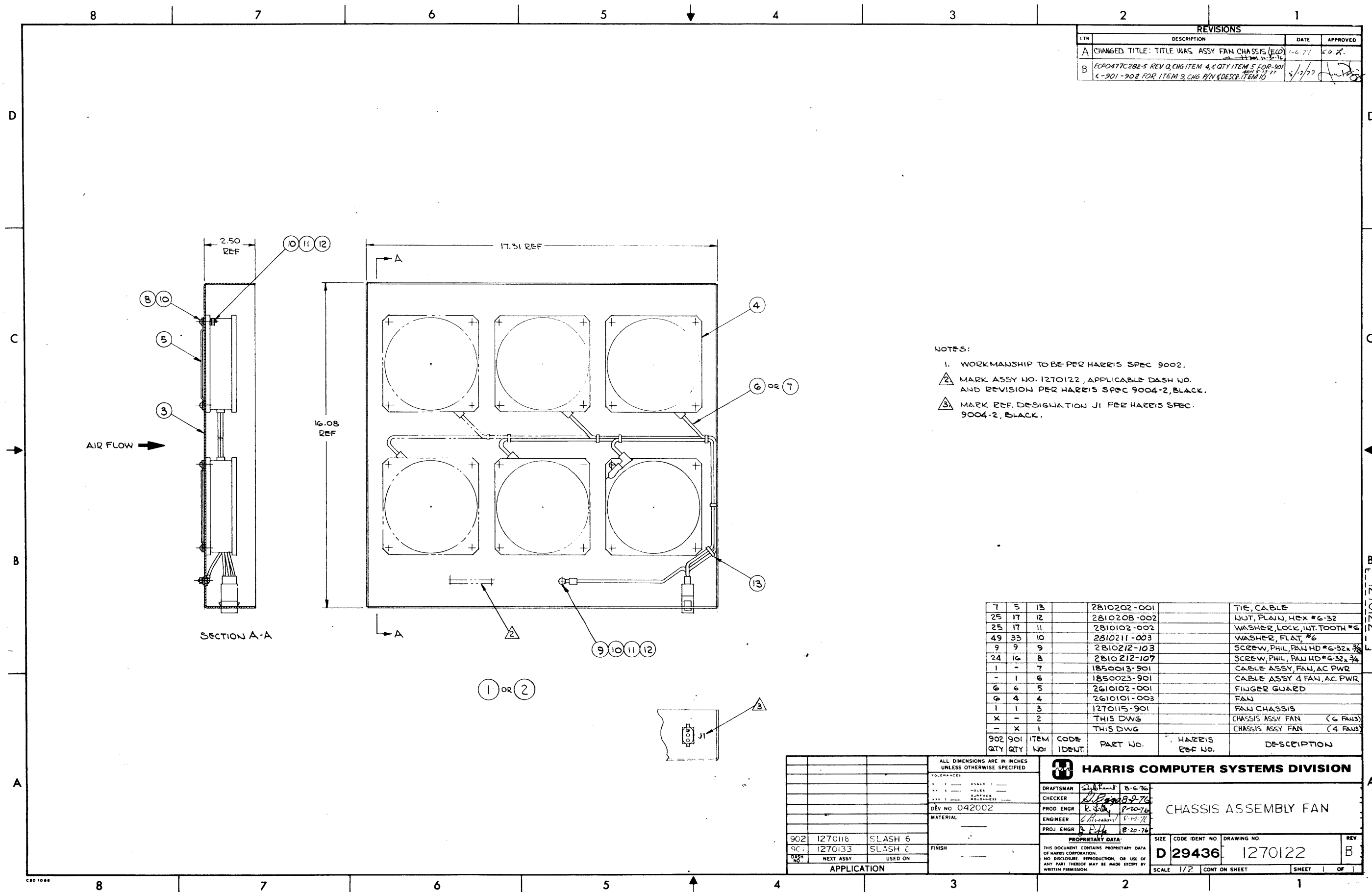
REVISIONS			
LTR	DESCRIPTION	DATE	APPROVED
A	REV. PER ECP 1270125-1 (REV. 0) PNL. CHANGED ITEM NO. 4 IN P/L FROM 1570125-901 TO 1570125-901 & DISC. FROM COMPASSY PROG. PNL. TO P.C. ASSY., PROG. PNL. 3-17-77	1-17-77	E.G. X.
B	ECPO277129-1 REV. 0, ADD BEZEL TO FIELD OF DWG AND ITEM 11 ARM 3-17-77	3-17-77	E.G. X.



NOTES --
1. WORKMANSHIP TO BE PER HARRIS SPEC 9002
2. MARK ASSY 1270119 AND APPLICABLE DASH NO. AND REVISION PER HARRIS SPEC 9004-2 BLACK

QTY	ITEM NO	CODE IDENT	PART NO	HARRIS REF NO	DESCRIPTION
1	11		6610101-006		BEZEL
16	5010	10	3710002-002		MRS. TAP, ADHESIVE BACK, 1/2 x 1/16
8	9		2810111-436		WASHER INSULATING FLAT #16
3	8		2810102-002		WASHER INT. TOOTH #16
11	7		2810127-203		SCR. SLF. TAP PAN HD. #6-32 x 1/4
1	6		1230103-901		SWITCH ASSY
	5				
1	4		1570125-901		P.C. ASSY., PROG. PNL.
1	3		3370104-001		WELDMENT PROG. PANEL
1	2		3670101-901		DISPLAY PANEL
	1		THIS DWG		ASSEMBLY

ALL DIMENSIONS ARE IN INCHES UNLESS OTHERWISE SPECIFIED TOLERANCES: A ± .02 ANGLE ± .02 H ± .02 HOLES ± .02 R ± .02 SURFACE ROUGHNESS DEV NO 42002 MATERIAL FINISH APPLICATION		HARRIS COMPUTER SYSTEMS DIVISION DRAFTSMAN: <i>ALL</i> 3-29-76 CHECKER: <i>H. R. 200</i> 4/1/76 PROD. ENGR: <i>B. J.</i> 8-13-76 ENGINEER: <i>B. J.</i> 5/23/76 PROJ. ENGR: <i>B. J.</i> 8-23-76 PROPRIETARY DATA THIS DOCUMENT CONTAINS PROPRIETARY DATA OF HARRIS CORPORATION. NO DISCLOSURE, REPRODUCTION, OR USE OF ANY PART THEREOF MAY BE MADE EXCEPT BY WRITTEN PERMISSION.	
901 1270140 SLASH 6 901 1270139 SLASH 6 DASH NO. NEXT ASSY USED ON	SIZE CODE IDENT. NO. DRAWING NO. D 29436 1270119	SCALE / NONE CONT ON SHEET	SHEET 1 OF 1



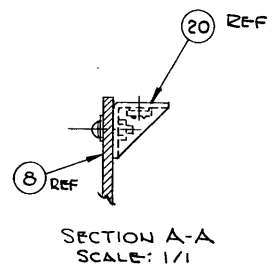
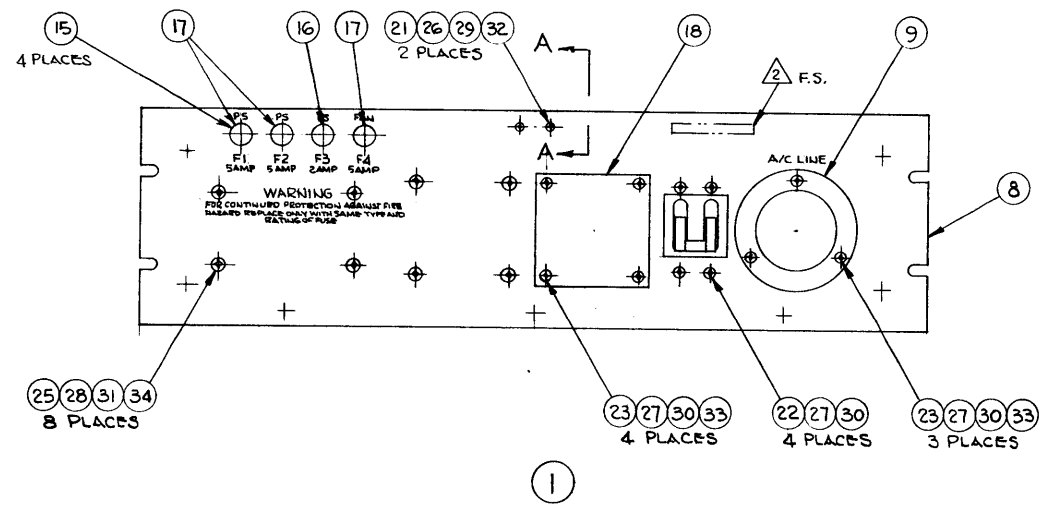
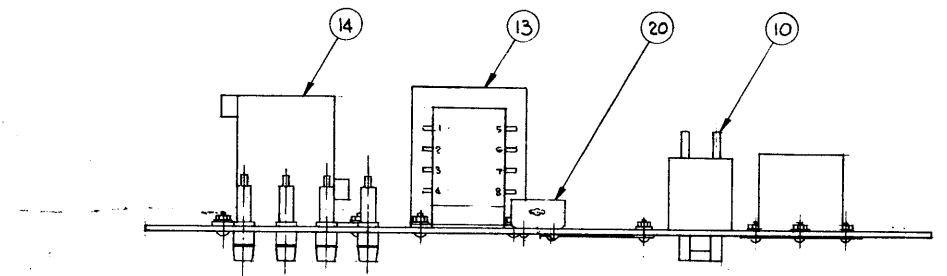
REVISIONS			
LTR	DESCRIPTION	DATE	APPROVED
A	CHANGED TITLE: TITLE WAS ASSY FAN CHASSIS (ECP)	1-6-77	5.0 X
B	ECPO477C282-5 REV Q, CHG ITEM 4, & QTY ITEM 5 FOR 901 4-901-902 FOR ITEM 9, CHG P/N & DESCR. ITEM 10	5/17/77	

- NOTES:
- 1. WORKMANSHIP TO BE PER HARRIS SPEC 9002.
 - 2. MARK ASSY NO. 1270122, APPLICABLE DASH NO. AND REVISION PER HARRIS SPEC 9004-2, BLACK.
 - 3. MARK REF. DESIGNATION J1 PER HARRIS SPEC. 9004-2, BLACK.

QTY	QTY	ITEM NO.	CODE IDENT.	PART NO.	HARRIS REF NO.	DESCRIPTION
7	5	13		2810202-001		TIE, CABLE
25	17	12		2810208-002		NUT, PLAIN, HEX #6-32
25	17	11		2810102-002		WASHER, LOCK, INT. TOOTH #6
49	33	10		2810211-003		WASHER, FLAT, #6
9	9	9		2810212-103		SCREW, PHIL, PAN HD #6-32x 3/4
24	16	8		2810212-107		SCREW, PHIL, PAN HD #6-32x 3/4
1	-	7		1850013-901		CABLE ASSY FAN, AC PWR
-	1	6		1850023-901		CABLE ASSY 4 FAN, AC PWR
6	6	5		2610102-001		FINGER GUARD
6	4	4		2610101-003		FAN
1	1	3		1270115-901		FAN CHASSIS
X	-	2		THIS DWG		CHASSIS ASSY FAN (6 FANS)
-	X	1		THIS DWG		CHASSIS ASSY FAN (4 FANS)

ALL DIMENSIONS ARE IN INCHES UNLESS OTHERWISE SPECIFIED			HARRIS COMPUTER SYSTEMS DIVISION		
TOLERANCES			DRAFTSMAN	8-6-76	CHASSIS ASSEMBLY FAN
FINISH			CHECKER	8-20-76	
MATERIAL			DEV NO	042002	
APPLICATION			ENGINEER	8-19-76	
PROPRIETARY DATA			PROJ ENGR	8-20-76	
902	1270116	SLASH 6	THIS DOCUMENT CONTAINS PROPRIETARY DATA OF HARRIS CORPORATION. NO DISCLOSURE, REPRODUCTION, OR USE OF ANY PART THEREOF MAY BE MADE EXCEPT BY WRITTEN PERMISSION.		
901	1270133	SLASH 2	SIZE	CODE IDENT NO	DRAWING NO
DASH NO			D 29436 1270122 B		
NEXT ASSY USED ON			SCALE	1/2	CONT ON SHEET
APPLICATION			SHEET 1 OF		

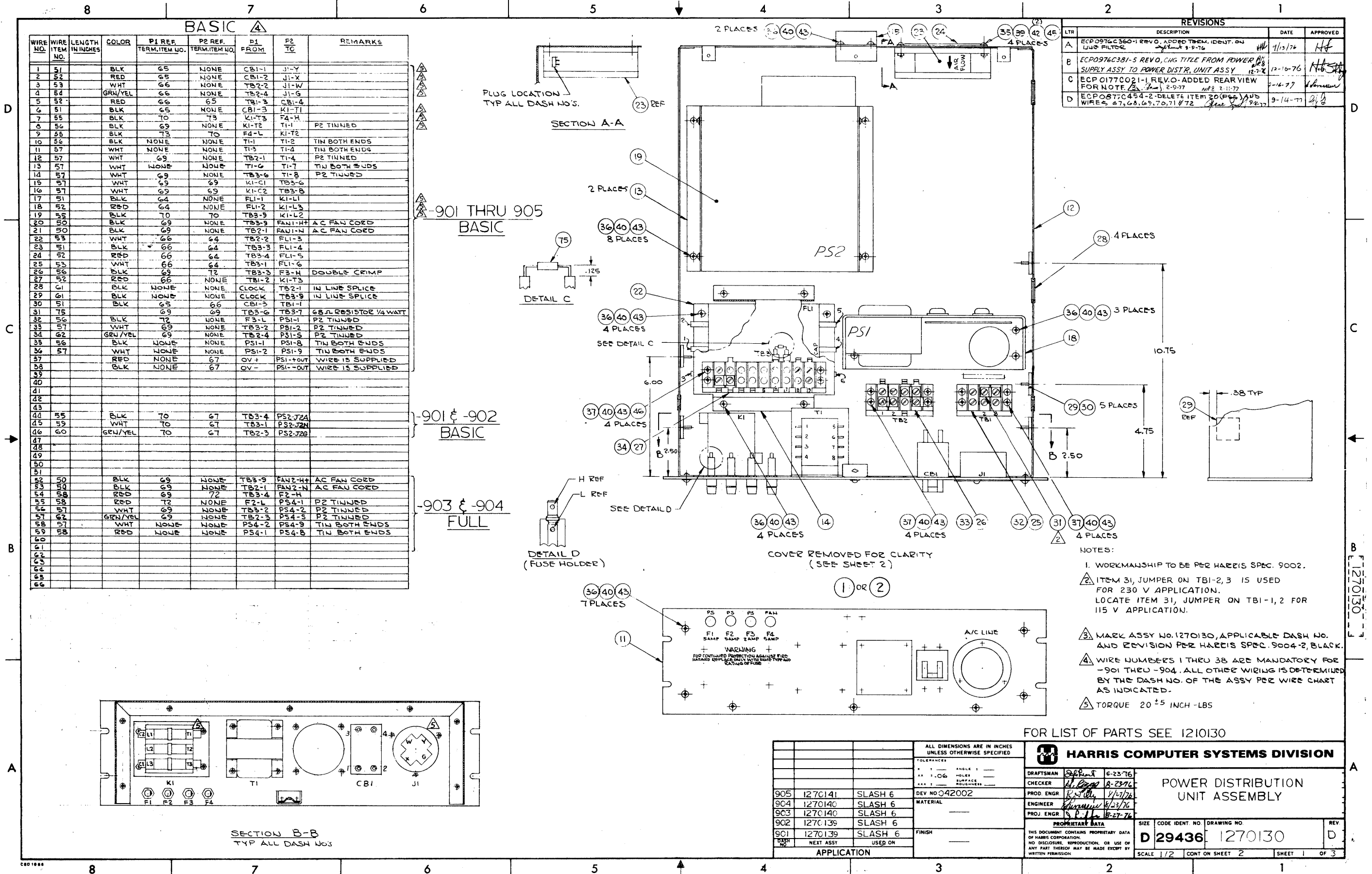
REVISIONS			
LTR	DESCRIPTION	DATE	APPROVED
A	TITLE WAS "ASSY FRONT PANEL POWER SUPPLY CHASSIS" (ECO)	1-6-77	SAK



- NOTES:
1. WORKMANSHIP TO BE PER HARRIS SPEC 9002.
 2. MARK ASSY NO 1270128 APPLICABLE DASH NO. AND REVISION PER HARRIS SPEC 9004-2, WHITE.

FOR LIST OF PARTS SEE 1210128

ALL DIMENSIONS ARE IN INCHES UNLESS OTHERWISE SPECIFIED		HARRIS COMPUTER SYSTEMS DIVISION	
TOLERANCES		DRAFTSMAN <i>S.P. Bell</i> 6-28-76	
A ± — ANGLE ± —		CHECKER <i>S.P. Bell</i> 8-17-76	
XX ± — HOLES —		PROD ENGR <i>S.P. Bell</i> 8-23-76	
XXX ± — SURFACE ROUGHNESS —		ENGINEER <i>S.P. Bell</i> 8-23-76	
DEV NO 42002		PROJ ENGR <i>S.P. Bell</i> 8-25-76	
MATERIAL		PROPRIETARY DATA	
FINISH		THIS DOCUMENT CONTAINS PROPRIETARY DATA OF HARRIS CORPORATION. NO DISCLOSURE, REPRODUCTION, OR USE OF ANY PART THEREOF MAY BE MADE EXCEPT BY WRITTEN PERMISSION.	
DASH NO 901		SIZE D	CODE IDENT NO 29436
NEXT ASSY 1270130		DRAWING NO 1270128	
USED ON SLASH 6		SCALE 1/2	SHEET 1 OF 1
APPLICATION			



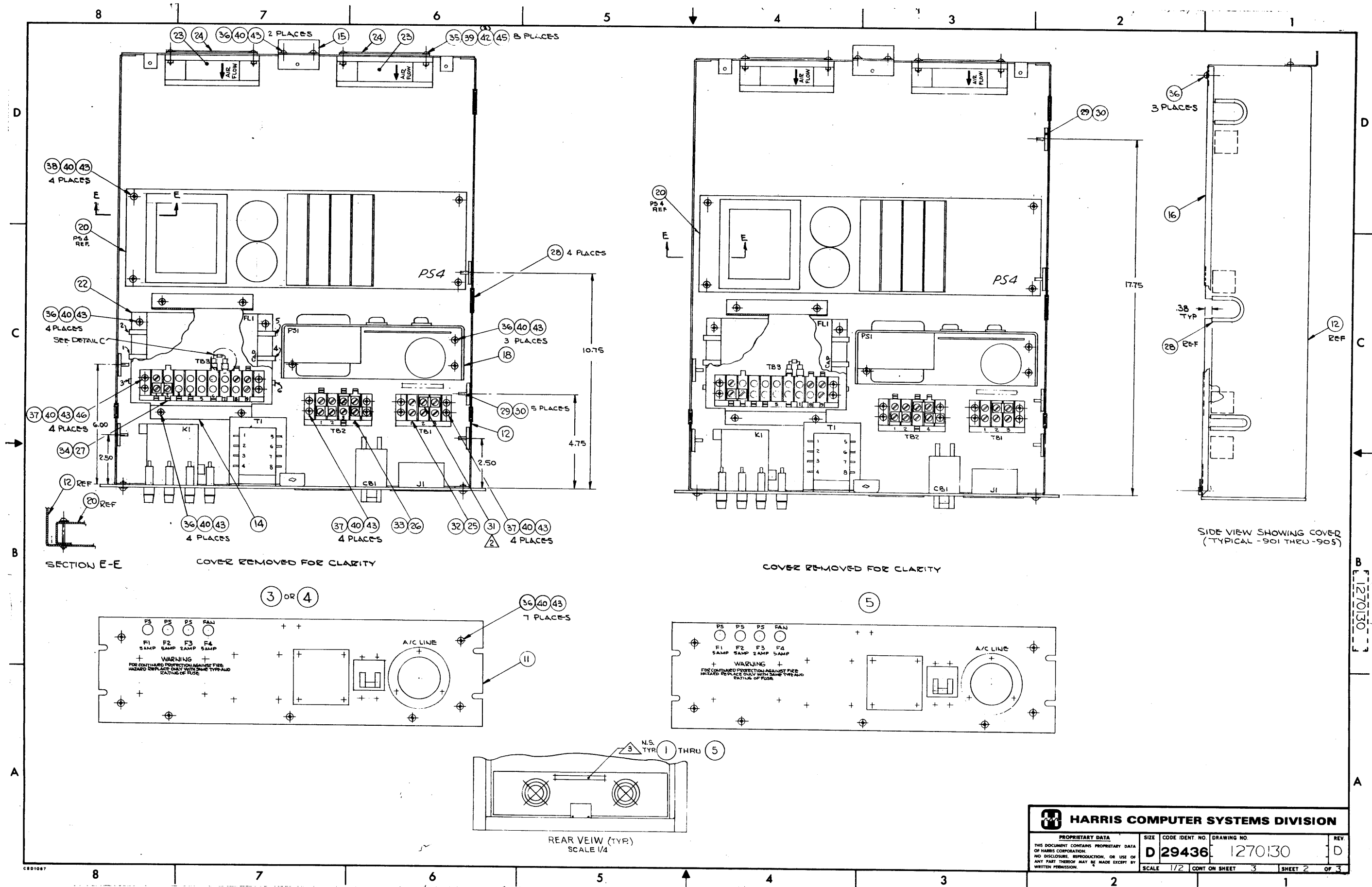
WIRE NO.	WIRE ITEM NO.	LENGTH IN INCHES	COLOR	P1 REF. TERM. ITEM NO.	P2 REF. TERM. ITEM NO.	P1 FROM	P2 TO	REMARKS
1	51	51	BLK	65	NONE	CB1-1	J1-Y	
2	52	52	RED	65	NONE	CB1-2	J1-X	
3	53	53	WHT	66	NONE	TB2-2	J1-W	
4	54	54	GRN/YEL	66	NONE	TB2-4	J1-G	
5	55	55	RED	66	65	TB1-3	CB1-4	
6	51	51	BLK	65	NONE	CB1-3	K1-T1	
7	55	55	BLK	70	73	K1-T3	F4-H	
8	56	56	BLK	69	NONE	K1-T2	T1-1	P2 TINNED
9	55	55	BLK	73	70	F4-L	K1-T2	
10	56	56	BLK	NONE	NONE	T1-1	T1-2	TIN BOTH ENDS
11	57	57	WHT	NONE	NONE	T1-3	T1-4	TIN BOTH ENDS
12	57	57	WHT	69	NONE	TB2-1	T1-4	P2 TINNED
13	57	57	WHT	NONE	NONE	T1-6	T1-7	TIN BOTH ENDS
14	57	57	WHT	69	NONE	TB3-6	T1-8	P2 TINNED
15	57	57	WHT	69	69	K1-C1	TB3-6	
16	57	57	WHT	69	69	K1-C2	TB3-6	
17	51	51	BLK	64	NONE	FL1-1	K1-L1	
18	52	52	RED	64	NONE	FL1-2	K1-L3	
19	55	55	BLK	70	70	TB3-9	K1-L2	
20	50	50	BLK	69	NONE	TB3-9	FAN1-H	AC FAN CORD
21	50	50	BLK	69	NONE	TB2-1	FAN1-N	AC FAN CORD
22	53	53	WHT	66	64	TB2-2	FL1-3	
23	51	51	BLK	66	64	TB3-3	FL1-4	
24	52	52	RED	66	64	TB3-4	FL1-5	
25	53	53	WHT	66	64	TB3-1	FL1-6	
26	56	56	BLK	69	72	TB3-3	F3-H	DOUBLE CRIMP
27	52	52	RED	66	NONE	TB1-2	K1-T3	
28	61	61	BLK	NONE	NONE	CLOCK	TB2-1	IN LINE SPLICE
29	61	61	BLK	NONE	NONE	CLOCK	TB3-9	IN LINE SPLICE
30	51	51	BLK	65	66	CB1-3	TB1-1	
31	75	75	BLK	69	69	TB3-6	TB3-7	68 Ω RESISTOR 1/4 WATT
32	56	56	BLK	72	NONE	F3-L	PS1-1	P2 TINNED
33	57	57	WHT	69	NONE	TB3-2	PS1-2	P2 TINNED
34	62	62	GRN/YEL	69	NONE	TB2-4	PS1-5	P2 TINNED
35	56	56	BLK	NONE	NONE	PS1-1	PS1-8	TIN BOTH ENDS
36	57	57	WHT	NONE	NONE	PS1-2	PS1-9	TIN BOTH ENDS
37	58	58	RED	NONE	67	OV+	PS1-OUT	WIRE IS SUPPLIED
38	58	58	BLK	NONE	67	OV-	PS1-OUT	WIRE IS SUPPLIED
39								
40								
41								
42								
43								
44	55	55	BLK	70	67	TB3-4	PS2-72A	
45	59	59	WHT	70	67	TB3-1	PS2-72B	
46	60	60	GRN/YEL	70	67	TB2-3	PS2-72B	
47								
48								
49								
50								
51								
52	50	50	BLK	69	NONE	TB3-9	FAN2-H	AC FAN CORD
53	50	50	BLK	69	NONE	TB2-1	FAN2-N	AC FAN CORD
54	58	58	RED	72	NONE	TB3-4	F2-H	
55	58	58	RED	72	NONE	F2-L	PS4-1	P2 TINNED
56	57	57	WHT	69	NONE	TB3-2	PS4-2	P2 TINNED
57	62	62	GRN/YEL	69	NONE	TB2-3	PS4-5	P2 TINNED
58	57	57	WHT	NONE	NONE	PS4-2	PS4-9	TIN BOTH ENDS
59	58	58	RED	NONE	NONE	PS4-1	PS4-8	TIN BOTH ENDS
60								
61								
62								
63								
64								
65								
66								

REVISIONS			
LTR	DESCRIPTION	DATE	APPROVED
A	ECPO976C360-1 REV.0, ADDED ITEM, IDENT. ON LINES FILTER	9/13/76	HH
B	ECPO976C381-5 REV.0, CHG TITLE FROM POWER SUPPLY ASSY TO POWER DISTR. UNIT ASSY	12-7-76	HH
C	ECP 01770021-1 REV.0-ADDED REAR VIEW FOR NOTE 3, 2-9-77	2-14-77	HH
D	ECPO976C454-2-DELETE ITEM 20 (PS4-1) WIRE 67, 68, 69, 70, 71 & 72	9-14-77	HH

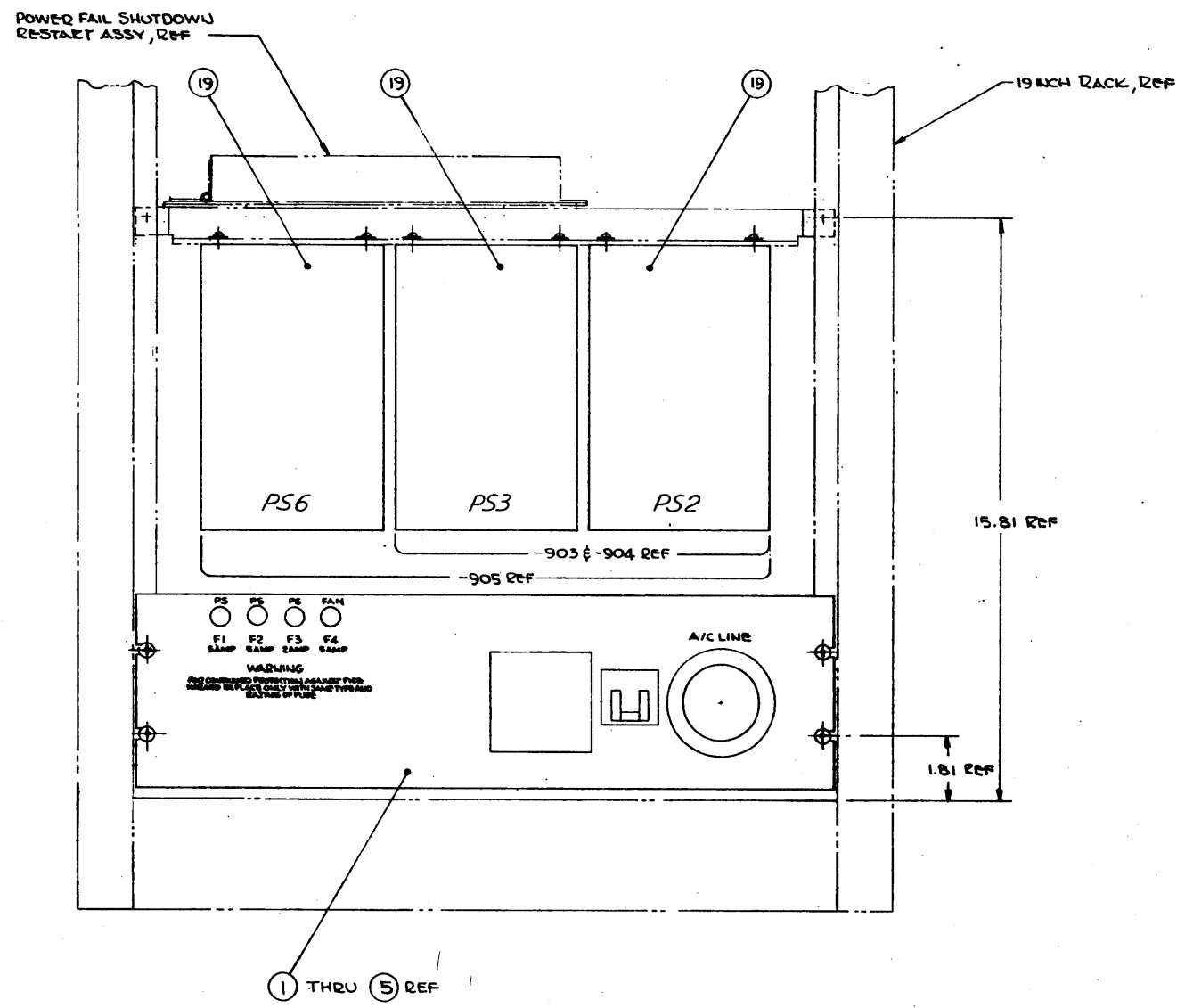
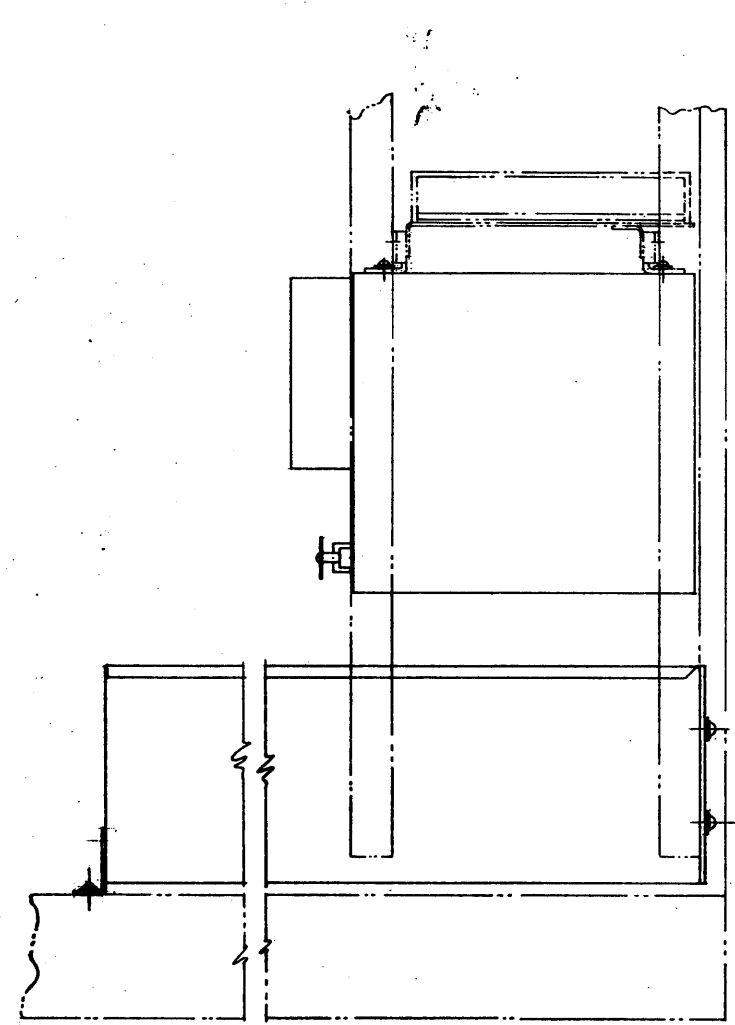
- NOTES:
- WORKMANSHIP TO BE PER HARRIS SPEC. 9002.
 - ITEM 31, JUMPER ON TBI-2,3 IS USED FOR 230 V APPLICATION. LOCATE ITEM 31, JUMPER ON TBI-1,2 FOR 115 V APPLICATION.
 - MARK ASSY NO. 1270130, APPLICABLE DASH NO. AND REVISION PER HARRIS SPEC. 9004-2, BLACK.
 - WIRE NUMBERS 1 THRU 38 ARE MANDATORY FOR -901 THRU -904. ALL OTHER WIRING IS DETERMINED BY THE DASH NO. OF THE ASSY PER WIRE CHART AS INDICATED.
 - TORQUE 20 ± 5 INCH-LBS

FOR LIST OF PARTS SEE 1270130

ALL DIMENSIONS ARE IN INCHES UNLESS OTHERWISE SPECIFIED			HARRIS COMPUTER SYSTEMS DIVISION	
DRAFTSMAN	6-23-76	CHECKER	8-23-76	POWER DISTRIBUTION UNIT ASSEMBLY
PROD. ENGR	8/13/76	ENGINEER	8/23/76	
DEV NO 042002		PROJ ENGR	8-27-76	
MATERIAL				
905	1270141	SLASH 6		SIZE CODE IDENT NO. DRAWING NO. D 29436 1270130
904	1270140	SLASH 6		
903	1270140	SLASH 6		
902	1270139	SLASH 6		
901	1270139	SLASH 6		FINISH THIS DOCUMENT CONTAINS PROPRIETARY DATA OF HARRIS CORPORATION. NO DISCLOSURE, REPRODUCTION, OR USE OF ANY PART THEREOF MAY BE MADE EXCEPT BY WRITTEN PERMISSION.
		APPLICATION		
SCALE 1/2		CONT ON SHEET 2		SHEET 1 OF 3

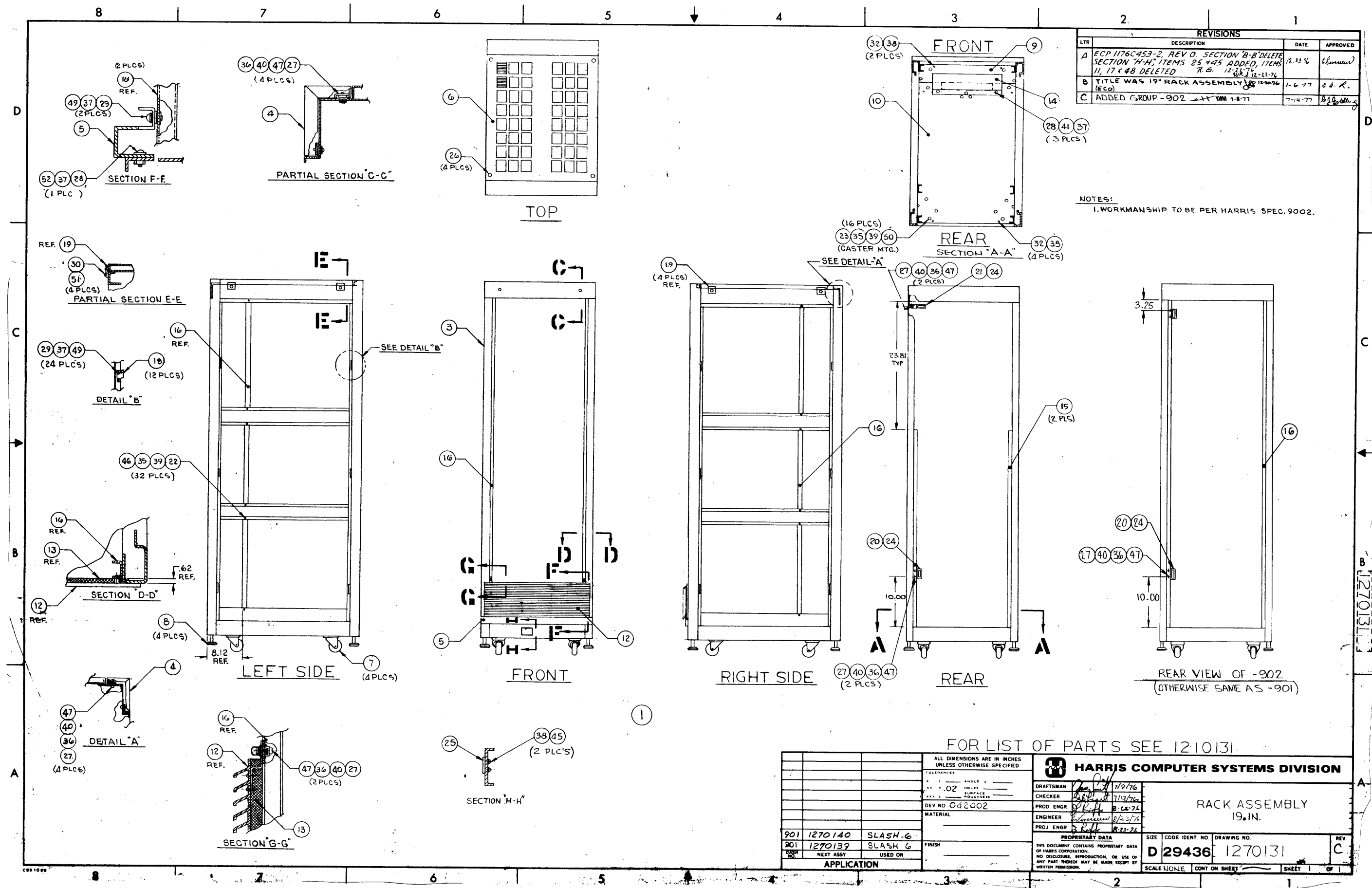


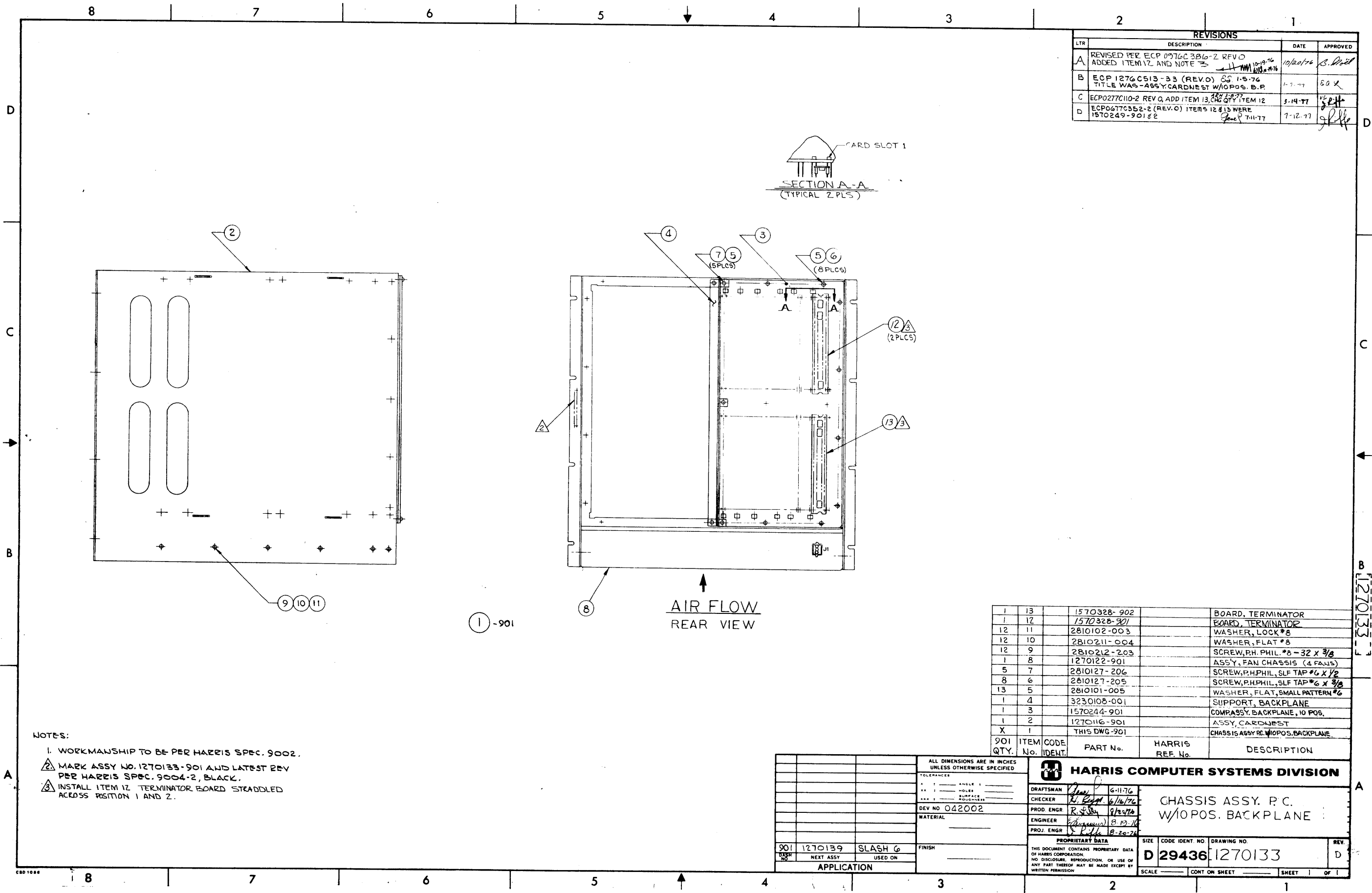
HARRIS COMPUTER SYSTEMS DIVISION			
PROPRIETARY DATA THIS DOCUMENT CONTAINS PROPRIETARY DATA OF HARRIS CORPORATION. NO DISCLOSURE, REPRODUCTION, OR USE OF ANY PART THEREOF MAY BE MADE EXCEPT BY WRITTEN PERMISSION.	SIZE D 29436	CODE IDENT NO. 1270130	DRAWING NO. 1270130
SCALE 1/2	CONT ON SHEET 3	SHEET 2	OF 3



HARRIS COMPUTER SYSTEMS DIVISION			
PROPRIETARY DATA THIS DOCUMENT CONTAINS PROPRIETARY DATA OF HARRIS CORPORATION. NO DISCLOSURE, REPRODUCTION, OR USE OF ANY PART THEREOF MAY BE MADE EXCEPT BY WRITTEN PERMISSION.	SIZE D	CODE IDENT. NO. 29436	DRAWING NO. 1270130
SCALE 1/2		CONT ON SHEET	SHEET 3 OF 3

1270130-1





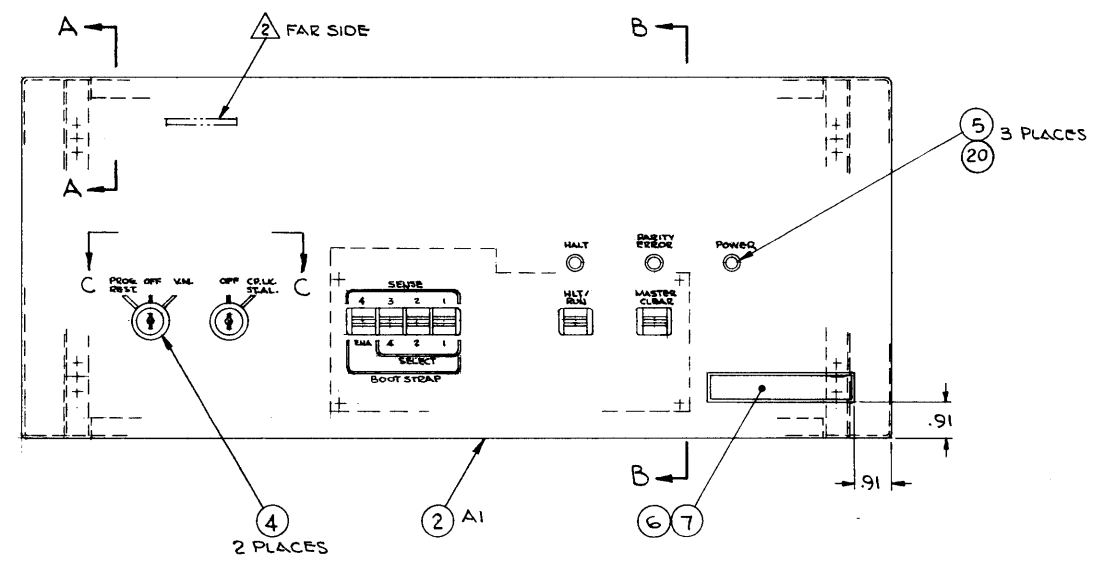
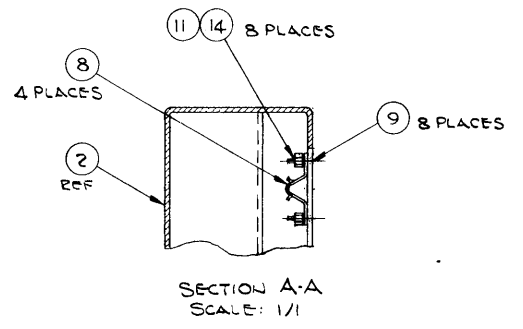
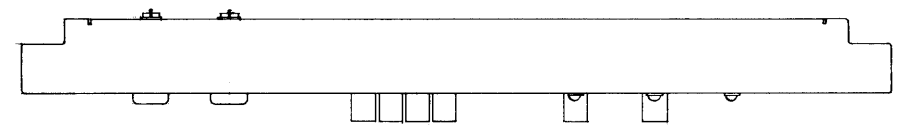
REVISIONS			
LTR	DESCRIPTION	DATE	APPROVED
A	REVISED PER ECP 0976C3B6-2 REV0 ADDED ITEM 12 AND NOTE 3	10/20/76	B. Drell
B	ECP 1276C513-33 (REV0) 85 1-5-76 TITLE WAS-ASSY.CARDNEST W/10POS. B.P.	1-7-77	80 X
C	ECP0277C110-2 REV0 ADD ITEM 13, QTY ITEM 12	3-14-77	85 P.H.
D	ECP0677C352-2 (REV.0) ITEM 5 12 & 13 WERE 1570249-901 & 2	7-12-77	J. P. H.

QTY.	ITEM No.	CODE IDENT.	PART No.	HARRIS REF. No.	DESCRIPTION
1	13		1570328-902		BOARD, TERMINATOR
1	12		1570328-901		BOARD, TERMINATOR
12	11		2810102-003		WASHER, LOCK #8
12	10		2810211-004		WASHER, FLAT #8
12	9		2810212-203		SCREW, P.H. PHIL. #8-32 X 3/8
1	8		1270122-901		ASSY, FAN CHASSIS (4 FANS)
5	7		2810127-206		SCREW, P.H. PHIL. SLF TAP #6 X 1/2
8	6		2810127-205		SCREW, P.H. PHIL. SLF TAP #6 X 3/8
13	5		2810101-005		WASHER, FLAT, SMALL PATTERN #6
1	4		3230108-001		SUPPORT, BACKPLANE
1	3		1570244-901		COMPASSY, BACKPLANE, 10 POS.
1	2		1270116-901		ASSY, CARDNEST
X	1		THIS DWG-901		CHASSIS ASSY. W/10 POS. BACKPLANE

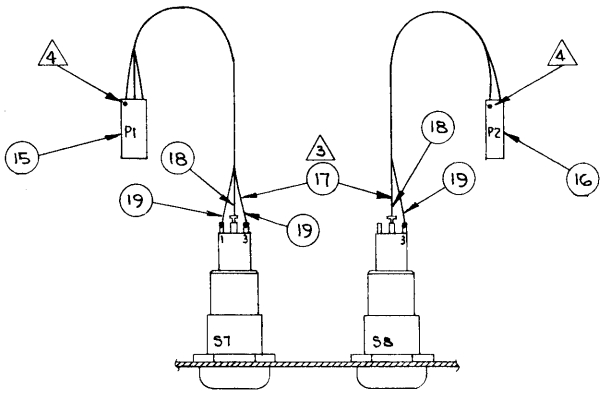
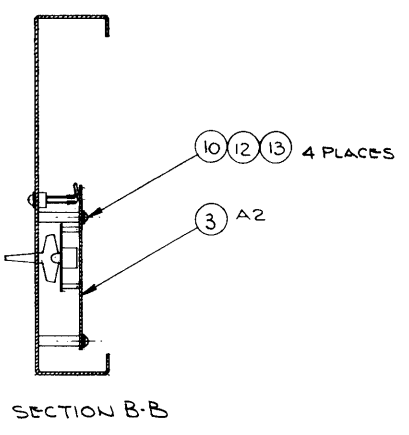
NOTES:
 1. WORKMANSHIP TO BE PER HARRIS SPEC. 9002.
 2. MARK ASSY NO. 1270133-901 AND LATEST REV PER HARRIS SPEC. 9004-2, BLACK.
 3. INSTALL ITEM 12 TERMINATOR BOARD STRADDLED ACROSS POSITION 1 AND 2.

ALL DIMENSIONS ARE IN INCHES UNLESS OTHERWISE SPECIFIED TOLERANCES: * 1 - ANGLE 1 ** 1 - HOLES *** 1 - SURFACE FINISH		HARRIS COMPUTER SYSTEMS DIVISION DRAFTSMAN: [Signature] 6-11-76 CHECKER: [Signature] 6/16/76 PROD ENGR: [Signature] 8/20/76 ENGINEER: [Signature] 8-19-76 PROJ ENGR: [Signature] 8-20-76	
DEV NO 042002 MATERIAL: _____ FINISH: _____		SIZE CODE IDENT NO DRAWING NO D 29436 1270133	
901 1270139 SLASH G DASH NO NEXT ASSY USED ON APPLICATION		THIS DOCUMENT CONTAINS PROPRIETARY DATA OF HARRIS CORPORATION. NO DISCLOSURE, REPRODUCTION, OR USE OF ANY PART THEREOF MAY BE MADE EXCEPT BY WRITTEN PERMISSION. SCALE _____ CONT ON SHEET _____ SHEET 1 OF 1	

REVISIONS			
LTR	DESCRIPTION	DATE	APPROVED
A	ECP 1076C422-2 REV 0 ITEM 20 ADDED AND BALLOON R.G. 11-9-76	11/14/76	E.O.L.
B	ECP 1276C511-1 (REV.0) ITEM 3 P/N WAS 1510250-901	12/29/76	E.L.L.



- NOTES:
- 1. WORKMANSHIP TO BE PER HARRIS SPEC 9002.
 - 2. MARK ASSY NO. 1270137-901 AND REVISION PER HARRIS SPEC 9004-2, WHITE.
 - 3. SOLDER CONNECTIONS TO BE COVERED WITH ITEM 17 (SHEATH TUBING) NO LESS THAN 1.0 LG.
 - 4. DENOTES POSITION OF PIN 1.

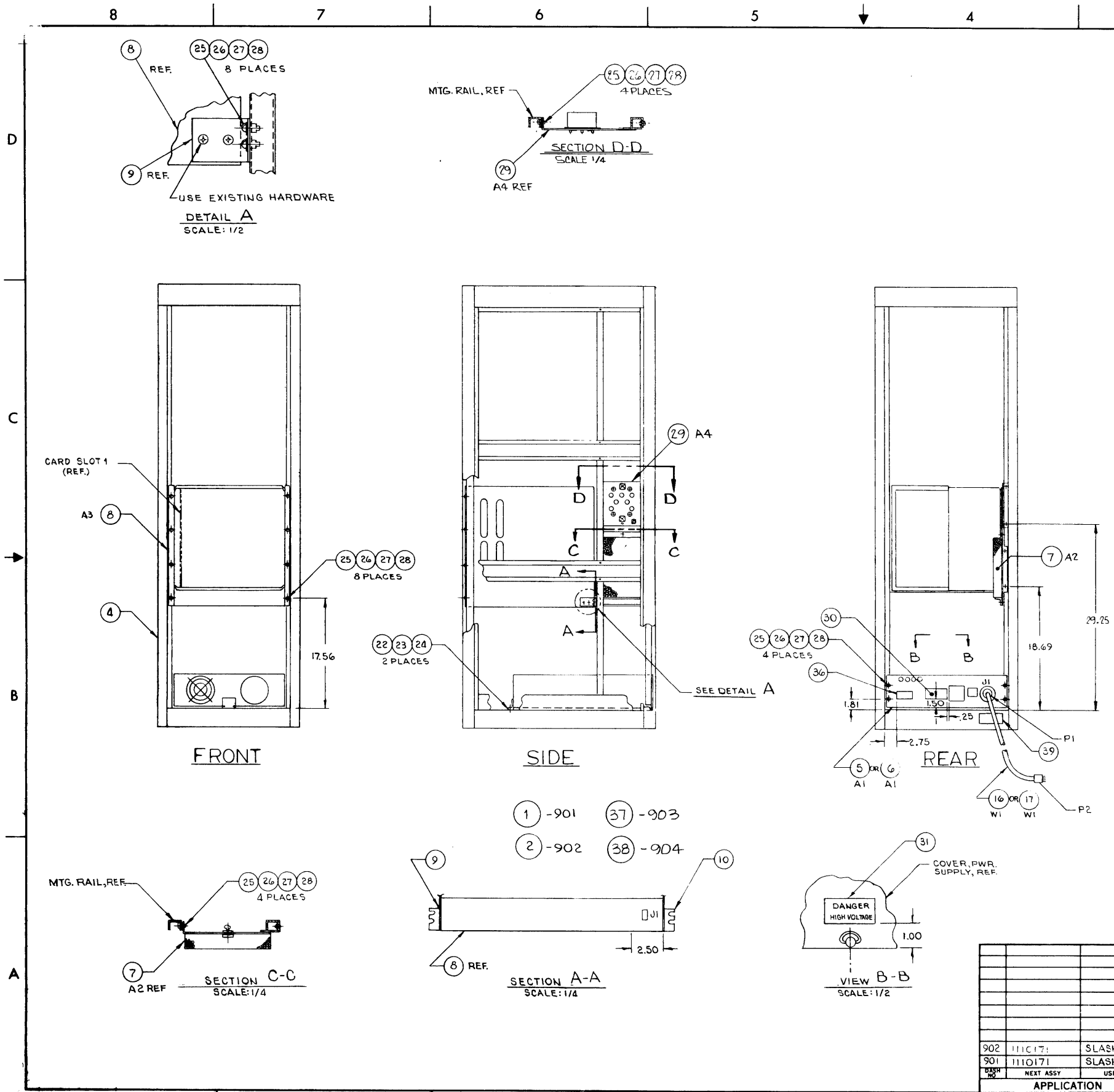


WIRE NO.	FROM	TO	TO	COLOR	LENGTH	SIZE	FUNCTION
1	S7-C	P1-1	A2-J9-1	BLK	7 INCHES	28 AWG	GROUND
2	S7-1	P1-2	A2-J9-2	WHT			
3	S7-3	P1-3	A2-J9-3	WHT			
4	S8-C	P2-1	A2-J8-1	BLK			GROUND
5	S8-3	P2-2	A2-J8-2	WHT	7 INCHES	28 AWG	

WIRE NO.	FROM	TO
1	A2-J4	A1- HALT LED
2	A2-J5	A1- ERROR LED
3	A2-J6	A1- POWER LED

QTY	ITEM NO.	CODE IDENT	PART NO.	HARRIS REF NO.	DESCRIPTION
3	20		3110007-001		BUSHING & COLLAR (BLK)
24	19		6010107-404		WIRE ELEC INSUL #28 AWG, WHT
15	18		6010107-401		WIRE ELEC INSUL #28 AWG, BLK
5	17		3710007-003		TUBING, HEAT SHRINK.
1	16		2110001-002		FEMALE HOUSING 2 POS. (P2)
1	15		2110001-003		FEMALE HOUSING 3 POS. (P1)
8	14		2810208-001		NUT, HEX, STD #4-40
4	13		2810101-005		WASHER, FLAT #6
4	12		2810102-002		LOCK WASHER, INT. TOOTH #6
8	11		2810102-001		LOCK WASHER, INT. TOOTH #4
4	10		2810212-103		SCREW PAN HD PHIL #6-32 x 3/8
8	9		2810213-002		SCREW FLAT HD PHIL #4-40 x 5/16
4	8		2810207-002		SPRING CATCH
1	7		6610103-419		LOGO
1	6		6610101-006		BEZEL
3	5		3910101-001		DIODE, LIGHT EMITTING, RED
2	4		5110103-001		KEYLOCK SWITCH 3 POS.
1	3		1550250-901		PC ASSY, TURNKEY CONTROL PANEL
1	2		3370118-901		WELDMENT TURNKEY PANEL
X	1		THIS DWG		TURNKEY PANEL ASSY

901 1270140 SLASH 6		ALL DIMENSIONS ARE IN INCHES UNLESS OTHERWISE SPECIFIED			
901 1270139 SLASH 6		TOLERANCES: .015 ANGLES: .015			
NEXT ASSY USED ON		FINISH		DRAFTSMAN: <i>[Signature]</i> 7/15/76 CHECKER: <i>[Signature]</i> 8/13/76 PROD ENGR: <i>[Signature]</i> 8-27-76 ENGINEER: <i>[Signature]</i> 8-23-76 PROJ ENGR: <i>[Signature]</i> 8-27-76	
APPLICATION		SCALE 1/2		HARRIS COMPUTER SYSTEMS DIVISION TURNKEY PANEL ASSEMBLY SIZE CODE IDENT NO DRAWING NO D 29436 1270137 SCALE 1/2 CONT ON SHEET SHEET 1 OF 1	



REVISIONS			
LTR	DESCRIPTION	DATE	APPROVED
B	REDRAWN WITH REVISION PER ECF 1270139-33	1-6-77	S. J. P.
C	ECF-1270139-33 REVA ADDED 14 & 15 TO 230V WIRE CHART.	2-18-77	H. J. P.
D	ECPO377C170-5 REV O, CHG W/CHART NO. 8, 9, 10, 14, 15 REV NOTES 1, 2, 3, ADD NOTES 6, 7, 8, ADD ITEM 32, CHG. ITEM 13 & 14, CHG ROUTE ITEM 13, 14, 15.	2-25-77	H. J. P.
E	ECPO377C183-6 REV O, ADD ITEM 35, PFI ITEM 15, ADD 16 & 17 TO W/CHART, SHOW CABLE ROUTE, ADD NOTE 8, 10, 11, 12, 13.	4-5-77	H. J. P.
F	ECPO377C172-10 REV A, CHG QTY ITEM 30, ADD ITEM 34 & 35, ADD SECTION F & H NOTE 12.	5-18-77	J. L. P.
G	ECPO677C309-15 REV O, ECP0877C434-10 REV O.	8-30-77	S. J. P.
H	DONE SIMULTANEOUSLY. See Sheet B-24 TT.	8-30-77	S. J. P.
J	ADDED GROUPS 903 & 904.	12-10-77	H. J. P.
K	ECPO178011-8 ADDED ITEM 39.	1-16-78	H. J. P.

QTY REQD	QTY REQD	ITEM NO.	PART NUMBER	REFERENCE DESIGNATION	DESCRIPTION
1	1	1	39	6610139-001	CAUTION LABEL
X	-	-	38	1270139-904	RACK ASSY CPU SLASH 6 IO POSITION (230V)
-	X	-	37	1270139-903	RACK ASSY CPU SLASH 6 IO POSITION (115V)
X	X	X	36	6630010-001	UL EQUIPMENT LABEL
15	15	13	35	2810093-004	NUT, HEX STANDARD, #8-32
15	15	13	34	3110037-002	WASHER, SPRING #8
-	-	-	33	1830025-906	W6 CABLE ASSY, POWER FAIL (PW DWN)
1	1	1	32	1830025-905	W5 CABLE ASSY, POWER FAIL (PFS)
1	1	1	31	6610106-001	LABEL, DANGER HIGH VOLTAGE
X	X	X	30	6610130-001	LABEL, UNIT IDENT.
1	1	-	29	1250004-901	A4- POWER SUPPLY ASSY (-12V)
28	28	24	28	2810061-007	NUT, FLOATING CLIP #10-32
28	28	24	27	2810211-005	WASHER, FLAT #10
28	28	24	26	2810102-004	WASHER, LOCK INT. TOOTH #10
28	28	24	25	2810212-305	SCREW, PHIL. PAN HD. #10-32 x 1/2
2	2	2	24	2810211-004	WASHER, FLAT #8
2	2	2	23	2810102-003	WASHER, LOCK INT. TOOTH #8
2	2	2	22	2810212-203	SCREW, PHIL. PAN HD. 8-32 x 3/8
-	-	-	21	-	-
1	1	1	20	1810002-901	CONN / CONDUCTOR DIAG. IO POSN. AC CABLE
-	-	-	19	-	-
1	1	1	18	1810001-901	CONDUCTOR / CONNECTOR DIAG. IO POSN. D.C. CABLE
-	-	-	17	1830022-901	W1 CABLE ASSY, PWR CHASSIS AC LINE, 3 WIRE
-	-	-	16	1830023-901	W1 CABLE ASSY, PWR CHASSIS 4 WIRE
1	1	1	15	1830107-902	W2 CABLE ASSY, PWR & SENSE IN
1	1	1	14	1830025-904	W3 CABLE ASSY, PWR FAIL, (MC)
1	1	1	13	1830027-902	W4 CABLE ASSY, PWR FAIL, (CLK)
1	1	1	12	1570323-901	P.C. ASSY. MOS MEMORY
1	1	1	11	1570334-901	P.C. ASSY. CPU-I
2	2	2	10	3210114-002	BRACKET, REAR SUPPORT (L.H.)
2	2	2	9	3210114-001	BRACKET, REAR SUPPORT (R.H.)
1	1	1	8	1270133-901	A3 CHASSIS ASSY, PC W/10 POSN. BACKPLANE
1	1	1	7	1270023-902	A2 SHIELD ASSY PWR FAIL/LINE CLOCK
-	-	-	6	1270130-902	A1 POWER DIST. UNIT ASSY (230V)
-	-	-	5	1270130-901	A1 POWER DIST. UNIT ASSY (115V)
1	1	1	4	1270131-901	RACK ASSY, 19.00
-	-	-	3	-	-
-	-	-	2	THIS DWG-902	RACK ASSY, CPU SLASH 6 IO POSITION (230V)
-	-	-	1	THIS DWG-901	RACK ASSY, CPU SLASH 6 IO POSITION (115V)

ALL DIMENSIONS ARE IN INCHES UNLESS OTHERWISE SPECIFIED

HARRIS COMPUTER SYSTEMS DIVISION

DRAFTSMAN: IGLEHEART 8-5-76
CHECKER: H. EGGS 8-27-76
PROD ENGR: R. LILLY 8-31-76
ENGINEER: C. LEVASSOR 8-31-76
PROJ ENGR: B. BERG 8-31-76

PROPRIETARY DATA
THIS DOCUMENT CONTAINS PROPRIETARY DATA OF HARRIS CORPORATION. NO DISCLOSURE, REPRODUCTION, OR USE OF ANY PART THEREOF MAY BE MADE WITHOUT WRITTEN PERMISSION.

FINISH: _____

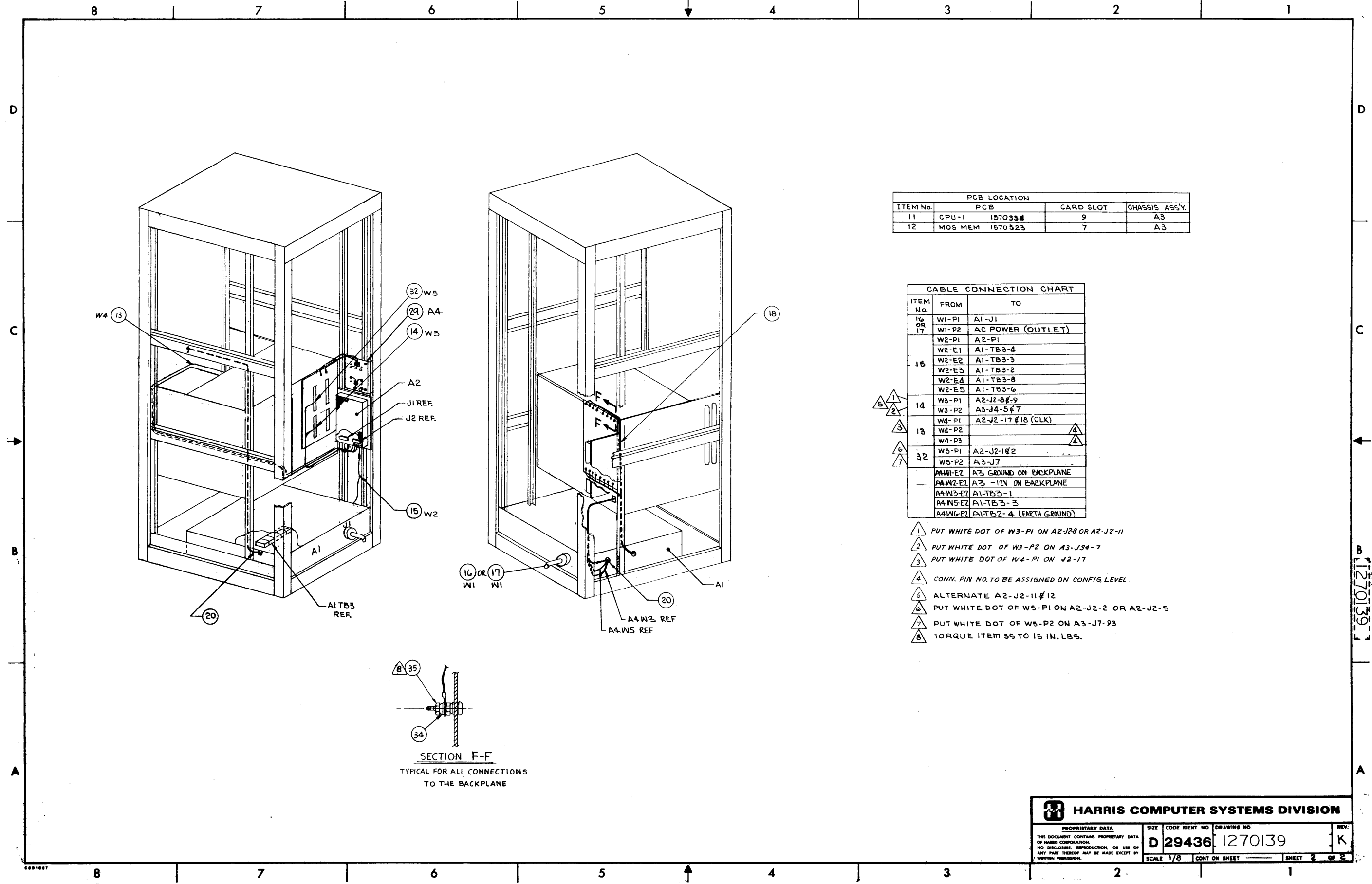
APPLICATION: _____

902 111C171 SLASH 6
901 111O171 SLASH 6

SCALE 1/8 CONT ON SHEET 2 SHEET 1 OF 3

RACK ASSY. CPU SLASH 6 IO POSITION

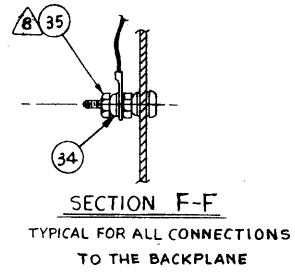
D 29436 1270139 K



PCB LOCATION			
ITEM No.	CPU	PCB	CHASSIS ASSY.
11	CPU-1	1570334	A3
12	MOS MEM	1570323	A3

CABLE CONNECTION CHART		
ITEM No.	FROM	TO
16 OR 17	W1-P1	A1-J1
	W1-P2	AC POWER (OUTLET)
	W2-P1	A2-P1
15	W2-E1	A1-TB3-4
	W2-E2	A1-TB3-3
	W2-E3	A1-TB3-2
	W2-E4	A1-TB3-8
	W2-E5	A1-TB3-6
14	W3-P1	A2-J2-8 & 9
	W3-P2	A3-J4-5 & 7
13	W4-P1	A2-J2-17 & 18 (CLK)
	W4-P2	
32	W5-P1	A2-J2-1 & 2
	W5-P2	A3-J7
	A4W1-E2	A3 GROUND ON BACKPLANE
	A4W2-E2	A3 -12V ON BACKPLANE
	A4W3-E2	A1-TB3-1
	A4W5-E2	A1-TB3-3
	A4W6-E2	A1-TB3-4 (EARTH GROUND)

- 1 PUT WHITE DOT OF W3-P1 ON A2-J2-8 OR A2-J2-11
- 2 PUT WHITE DOT OF W3-P2 ON A3-J4-7
- 3 PUT WHITE DOT OF W4-P1 ON J2-17
- 4 CONN. PIN NO. TO BE ASSIGNED ON CONFIG. LEVEL.
- 5 ALTERNATE A2-J2-11 #12
- 6 PUT WHITE DOT OF W5-P1 ON A2-J2-2 OR A2-J2-5
- 7 PUT WHITE DOT OF W5-P2 ON A3-J7-93
- 8 TORQUE ITEM 35 TO 15 IN. LBS.

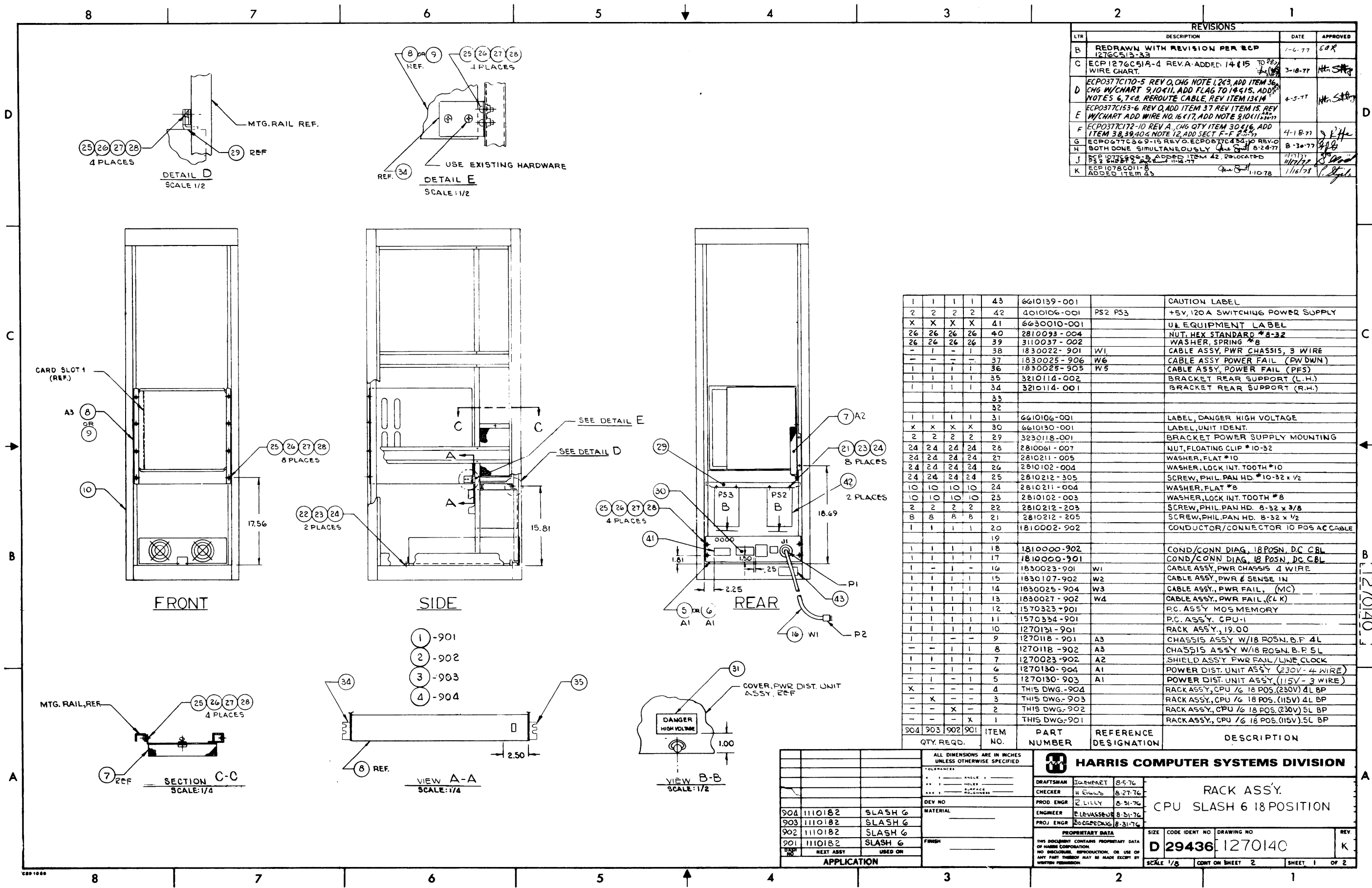


HARRIS COMPUTER SYSTEMS DIVISION

PROPRIETARY DATA
THIS DOCUMENT CONTAINS PROPRIETARY DATA OF HARRIS CORPORATION. NO DISCLOSURE, REPRODUCTION, OR USE OF ANY PART THEREOF MAY BE MADE EXCEPT BY WRITTEN PERMISSION.

SIZE: D
CODE IDENT. NO.: 29436
DRAWING NO.: 1270139
REV.: K

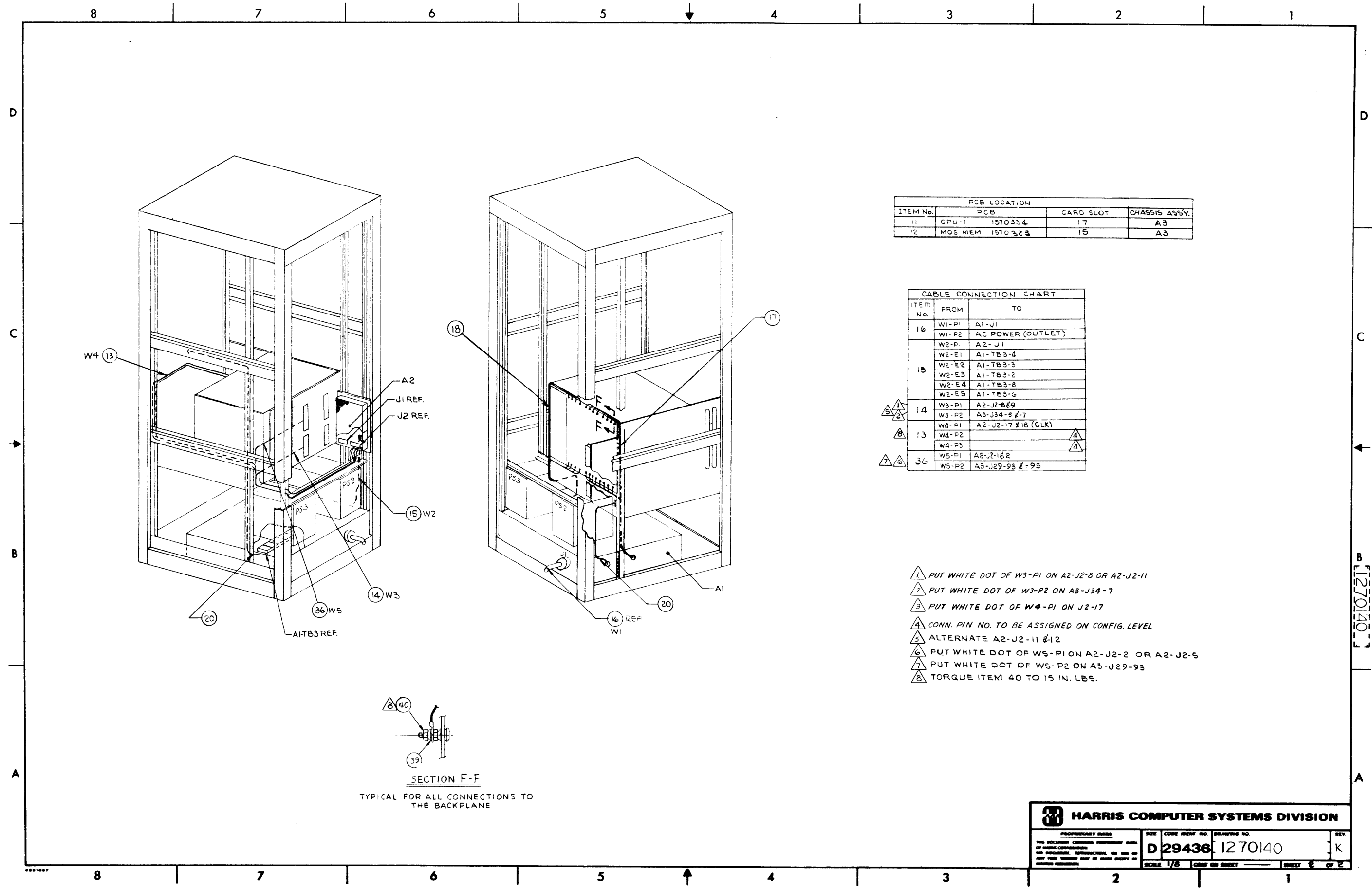
SCALE: 1/8
CONT ON SHEET
SHEET 2 OF 2



REVISIONS			
LTR	DESCRIPTION	DATE	APPROVED
B	REDRAWN WITH REVISION PER ECP 1276C513-33	1-6-77	EOK
C	ECP 1276C513-4 REV. A-ADDED 14 #15 TO WIRE CHART.	3-18-77	HTS
D	ECPO377C170-5 REV. 0, CHG NOTE 1, 2, 3, ADD ITEM 36, CHG W/CHART 9, 10 & 11. ADD FLAG TO 14 & 15. ADD NOTES 6, 7 & 8. REROUTE CABLE, REV ITEM 13 & 14	4-5-77	HTS
E	ECPO377C153-6 REV. 0, ADD ITEM 37 REV ITEM 15, REV W/CHART ADD WIRE NO. 16 & 17, ADD NOTE 9, 10 & 11.		
F	ECPO377C172-10 REV. A, CHG QTY ITEM 30 & 16, ADD ITEM 38, 39 & 40, NOTE 12, ADD SECT F-F 2, 3, 4	4-18-77	J.H.
G	ECPO677C349-15 REV. 0, ECPO677C354-10 REV. 0	8-30-77	J.H.
H	BOTH DONE SIMULTANEOUSLY	8-24-77	J.H.
J	ECP 1077590-8, ADD ITEM 42, RELOCATED PS 2 SUBST 2	11/17/77	J.H.
K	ECP 1078001-8, ADD ITEM 43	11/17/77	J.H.

QTY. REQD.	ITEM NO.	PART NUMBER	REFERENCE DESIGNATION	DESCRIPTION
1	1	43	6610139-001	CAUTION LABEL
2	2	42	4010106-001	PS2 PS3
X	X	41	6630010-001	U.S. EQUIPMENT LABEL
26	26	40	2810093-004	NUT, HEX STANDARD #8-32
26	26	39	3110037-002	WASHER, SPRING #8
-	7	38	1830022-901	W1
-	-	37	1830025-906	W6
1	1	36	1830025-905	W5
1	1	35	3210114-002	BRACKET REAR SUPPORT (L.H.)
1	1	34	3210114-001	BRACKET REAR SUPPORT (R.H.)
		33		
		32		
1	1	31	6610106-001	LABEL, DANGER HIGH VOLTAGE
X	X	30	6610130-001	LABEL, UNIT IDENT.
2	2	29	3230118-001	BRACKET POWER SUPPLY MOUNTING
24	24	28	2810061-007	NUT, FLOATING CLIP #10-32
24	24	27	2810211-005	WASHER, FLAT #10
24	24	26	2810102-004	WASHER, LOCK INT. TOOTH #10
24	24	25	2810212-305	SCREW, PHIL. PAN HD. #10-32 x 1/2
10	10	24	2810211-004	WASHER, FLAT #8
10	10	23	2810102-003	WASHER, LOCK INT. TOOTH #8
2	2	22	2810212-203	SCREW, PHIL. PAN HD. 8-32 x 3/8
8	8	21	2810212-205	SCREW, PHIL. PAN HD. 8-32 x 1/2
1	1	20	1810002-902	CONDUCTOR/CONNECTOR 10 POS ACC CABLE
		19		
1	1	18	1810000-902	COND/CONN DIAG, 18 POSN. DC CBL
1	1	17	1810000-901	COND/CONN DIAG, 18 POSN. DC CBL
1	-	16	1830023-901	W1
1	1	15	1830107-902	W2
1	1	14	1830025-904	W3
1	1	13	1830027-902	W4
1	1	12	1570323-901	P.C. ASSY. MOS MEMORY
1	1	11	1570334-901	P.C. ASSY. CPU-1
1	1	10	1270131-901	RACK ASSY., 19.00
1	1	9	1270118-901	A3
-	-	8	1270118-902	A3
1	1	7	1270023-902	A2
1	-	6	1270130-904	A1
-	-	5	1270130-903	A1
X	-	4	THIS DWG.-904	
-	X	3	THIS DWG.-903	
-	-	2	THIS DWG.-902	
-	-	1	THIS DWG.-901	

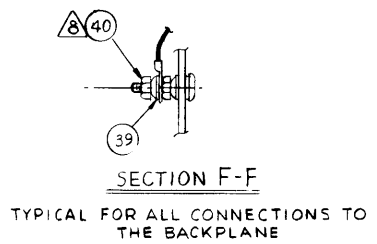
HARRIS COMPUTER SYSTEMS DIVISION			
DRAFTSMAN	ISLEHAERT	8-5-76	
CHECKER	H. ELLIS	8-27-76	
PROD ENGR	Z. LILLY	8-31-76	
ENGINEER	E. LEVASSOR	8-31-76	
PROJ. ENGR	D. GARDNER	8-31-76	
PROPRIETARY DATA THIS DOCUMENT CONTAINS PROPRIETARY DATA OF HARRIS CORPORATION. NO DISCLOSURE, REPRODUCTION, OR USE OF ANY PART THEREOF MAY BE MADE EXCEPT BY WRITTEN PERMISSION.			
SIZE	CODE IDENT NO	DRAWING NO	REV.
D	29436	1270140	K
SCALE	COUNT ON SHEET	SHEET	OF 2
1/8	2	1	



PCB LOCATION			
ITEM No.	PCB	CARD SLOT	CHASSIS ASSY.
11	CPU-1 1510334	17	A3
12	MOS MEM 1510323	15	A3

CABLE CONNECTION CHART		
ITEM No.	FROM	TO
16	W1-P1	A1-J1
	W1-P2	AC POWER (OUTLET)
15	W2-P1	A2-J1
	W2-E1	A1-TB3-4
	W2-E2	A1-TB3-3
	W2-E3	A1-TB3-2
	W2-E4	A1-TB3-8
14	W3-P1	A2-J2-8 & 9
	W3-P2	A3-J34-5 & 7
13	W4-P1	A2-J2-17 #18 (CLK)
	W4-P2	
36	W5-P1	A2-J2-16 & 2
	W5-P2	A3-J29-93 & 95

- 1 PUT WHITE DOT OF W3-P1 ON A2-J2-8 OR A2-J2-11
- 2 PUT WHITE DOT OF W3-P2 ON A3-J34-7
- 3 PUT WHITE DOT OF W4-P1 ON J2-17
- 4 CONN. PIN NO. TO BE ASSIGNED ON CONFIG. LEVEL
- 5 ALTERNATE A2-J2-11 & 12
- 6 PUT WHITE DOT OF W5-P1 ON A2-J2-2 OR A2-J2-5
- 7 PUT WHITE DOT OF W5-P2 ON A3-J29-93
- 8 TORQUE ITEM 40 TO 15 IN. LBS.

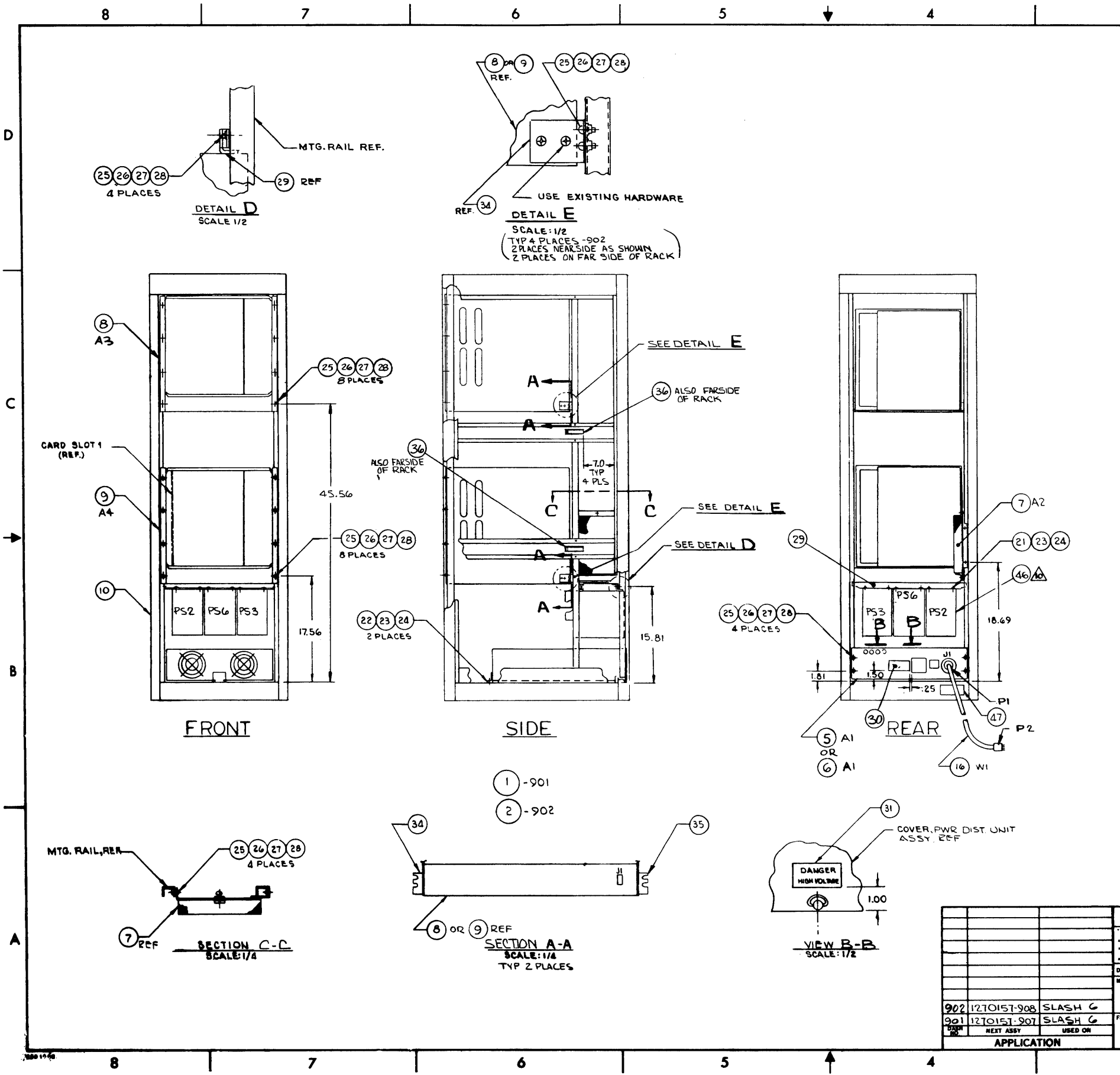


HARRIS COMPUTER SYSTEMS DIVISION

PROPERTY MARK

THIS DRAWING IS THE PROPERTY OF HARRIS COMPUTER SYSTEMS DIVISION. IT IS TO BE USED ONLY FOR THE PURPOSES SPECIFIED IN THE ORDER. IT IS NOT TO BE REPRODUCED OR TRANSMITTED IN ANY FORM OR BY ANY MEANS, ELECTRONIC OR MECHANICAL, INCLUDING PHOTOCOPYING, RECORDING, OR BY ANY INFORMATION STORAGE AND RETRIEVAL SYSTEM.

SIZE: D 29436
DRAWING NO: 1270140
REV: K
SCALE: 1/8
SHEET 5 OF 2



LTR	DESCRIPTION	DATE	APPROVED
A	ECPO677369-15 REV 0 ECPO87702543 REV 0 DONE SIMULTANEOUSLY	8/28	8-30-77
B	ECPI077580-151 ADDED ITEM 13 & 14, SU2 COUN. CHART, ADDED NOTES 2 THRU 9	11-3-77	JRH
C	ECPI077580-151 ADDED ITEM 13 & 14, SU2 COUN. CHART, ADDED NOTES 2 THRU 9	11/17/77	RFS
D	ECPI077580-151 ADDED ITEM 46, ADDED UTP 10, ITEM 5 WAS 1 REED-902, ITEM 6 WAS - DU-902	11/17/77	RFS
E	ECPO178011-8 ADDED ITEM 47	11/16/78	JRH

QTY	ITEM NO.	PART NUMBER	REFERENCE DESIGNATION	DESCRIPTION
1	47	6610139-001		CAUTION LABEL
3	2	46	4010106-001	PS2, PS3, PS6 +5V, 120A SWITCHING POWER SUPPLY
AR	AR	45	2810202-001	CABLE TIE
AR	AR	44	2810201-001	CABLE TIE MOUNT
6	-	43	1850038-901	W2, 4, 5, 6, 7, 8 CABLE ASSY I/O INTRC TO I/O PORT
45	24	42	2810093-004	NUT, HEX STANDARD #8-32
45	24	41	3110037-002	WASHER, SPRING #8
10	-	40	1730007-901	BUS BAR ASSY
1	X	39	1510294-901	PC ASSY I/O PORT
1	X	38	1510296-901	PC ASSY I/O EXPANDER INTERFACE CPU
		37		
4	4	36	2810216-203	CLAMP, CABLE
2	1	35	3210114-002	BRACKET REAR SUPPORT (L.H.)
2	1	34	3210114-001	BRACKET REAR SUPPORT (R.H.)
1	-	33	1810009-902	WIRE LIST AC CABLE SLASH 6 EXPANDABLE
-	1	32	1810009-901	WIRE LIST AC CABLE SLASH 6 EXPANDABLE
1	1	31	6610106-001	LABEL, DANGER HIGH VOLTAGE
X	X	30	6610130-001	LABEL, UNIT IDENT.
2	2	29	3230118-001	BRACKET POWER SUPPLY MOUNTING
36	24	28	2810091-007	NUT, FLOATING CLIP #10-32
36	24	27	2810211-005	WASHER, FLAT #10
36	24	26	2810102-004	WASHER, LOCK INT. TOOTH #10
36	24	25	2810212-305	SCREW, PHIL. PAN HD. #10-32 x 1/2
14	10	24	2810211-004	WASHER, FLAT #8
14	10	23	2810102-003	WASHER, LOCK INT. TOOTH #8
2	2	22	2810212-203	SCREW, PHIL. PAN HD. 8-32 x 3/8
12	8	21	2810212-205	SCREW, PHIL. PAN HD. 8-32 x 1/2
		20		
1	-	19	1810008-903	WIRE LIST DC CABLE SLASH 6 W/ I/O EXPANSION
1	1	18	1810008-902	WIRE LIST DC CABLE SLASH 6 W/ I/O EXPANSION
1	1	17	1810008-901	WIRE LIST DC CABLE SLASH 6 W/ I/O EXPANSION
1	1	16	1830023-901	W1 CABLE ASSY, PWR CHASSIS 4 WIRE
1	1	15	1830107-902	W2 CABLE ASSY, PWR FAIL BOARD
2	2	14	1830025-910	W10, W11 CABLE ASSY, POWER FAIL, SIGNALS
1	1	13	1830025-909	W9 CABLE ASSY, POWER FAIL, SIGNALS
1	1	12	1570323-901	PC ASSY MOS MEMORY
1	1	11	1570324-901	PC ASSY CPU-1 (VM)
1	1	10	1270131-901	RACK ASSY, 19.00
1	-	9	1270118-901	A4 CHASSIS ASSY W/18 POSN. B P
1	1	8	1270118-902	A3 CHASSIS ASSY W/18 POSN. B P
1	1	7	1270023-902	A2 SHIELD ASSY PWR FAIL/LINE CLOCK
1	1	6	1270130-904	A1 POWER DIST. UNIT ASSY (230V, 4 WIRE)
-	-	5	1270130-905	A1 POWER DIST. UNIT ASSY (230V, 4 WIRE)
		4		
		3		
X	-	2	THIS DWG-902	CPU ASSEMBLY 18 POSN WITH EXPANSION OPT.
-	X	1	THIS DWG-901	CPU ASSEMBLY 18 POSN I/O EXPANDABLE

HARRIS COMPUTER SYSTEMS DIVISION

CPU ASSY 18 POSITION WITH/EXPANSION OPTIONS

SIZE: CODE IDENT NO: DRAWING NO: REV.

D 29436 1270141 E

SCALE 1/8 CONT ON SHEET 2 SHEET 1 OF 2

ALL DIMENSIONS ARE IN INCHES UNLESS OTHERWISE SPECIFIED

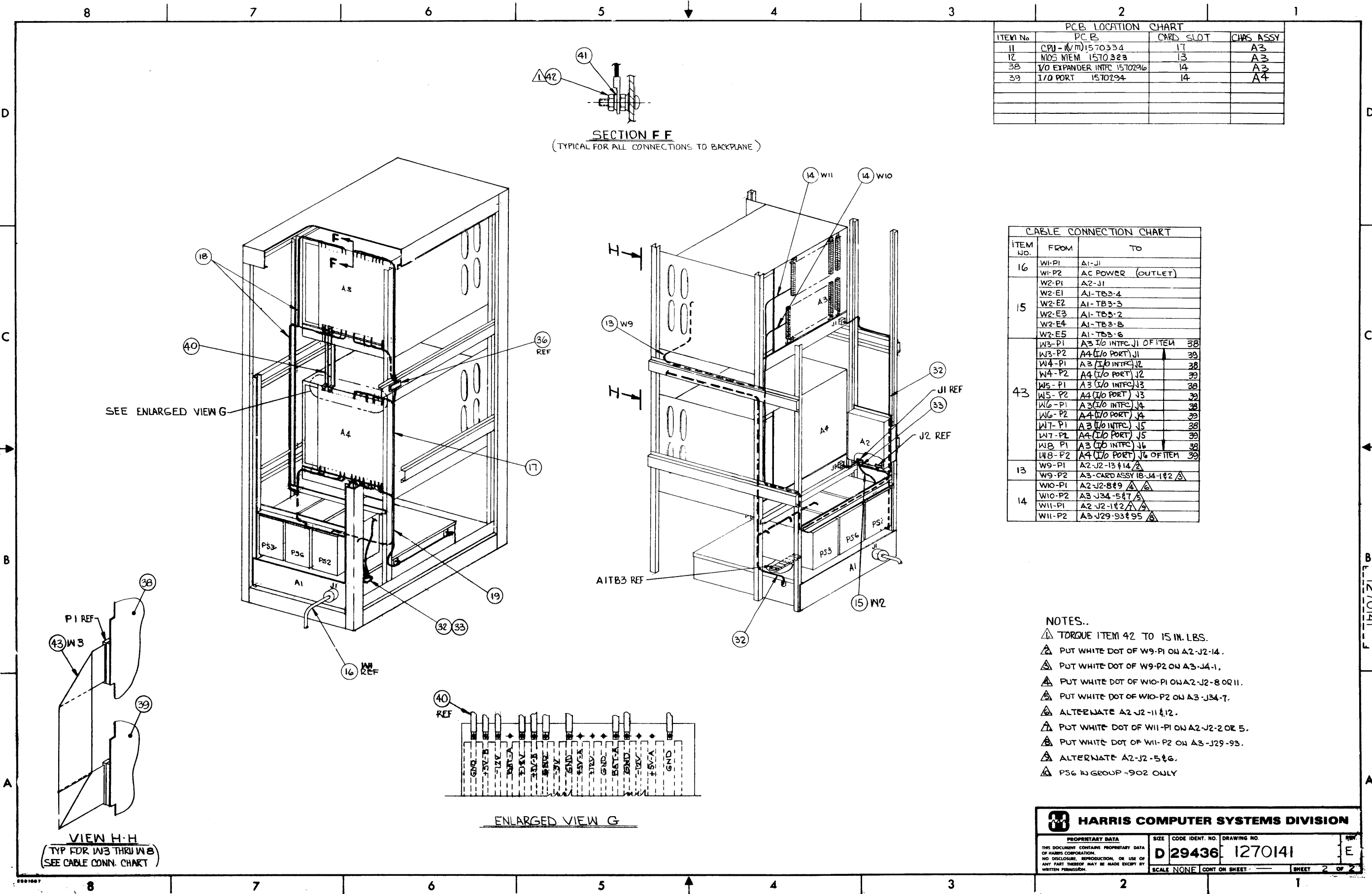
TOLERANCES: .03

FINISH: SLASH G

APPLICATION: NEXT ASSY USED ON

902 1270151-908 SLASH G

901 1270151-907 SLASH G



HARRIS COMPUTER SYSTEMS DIVISION

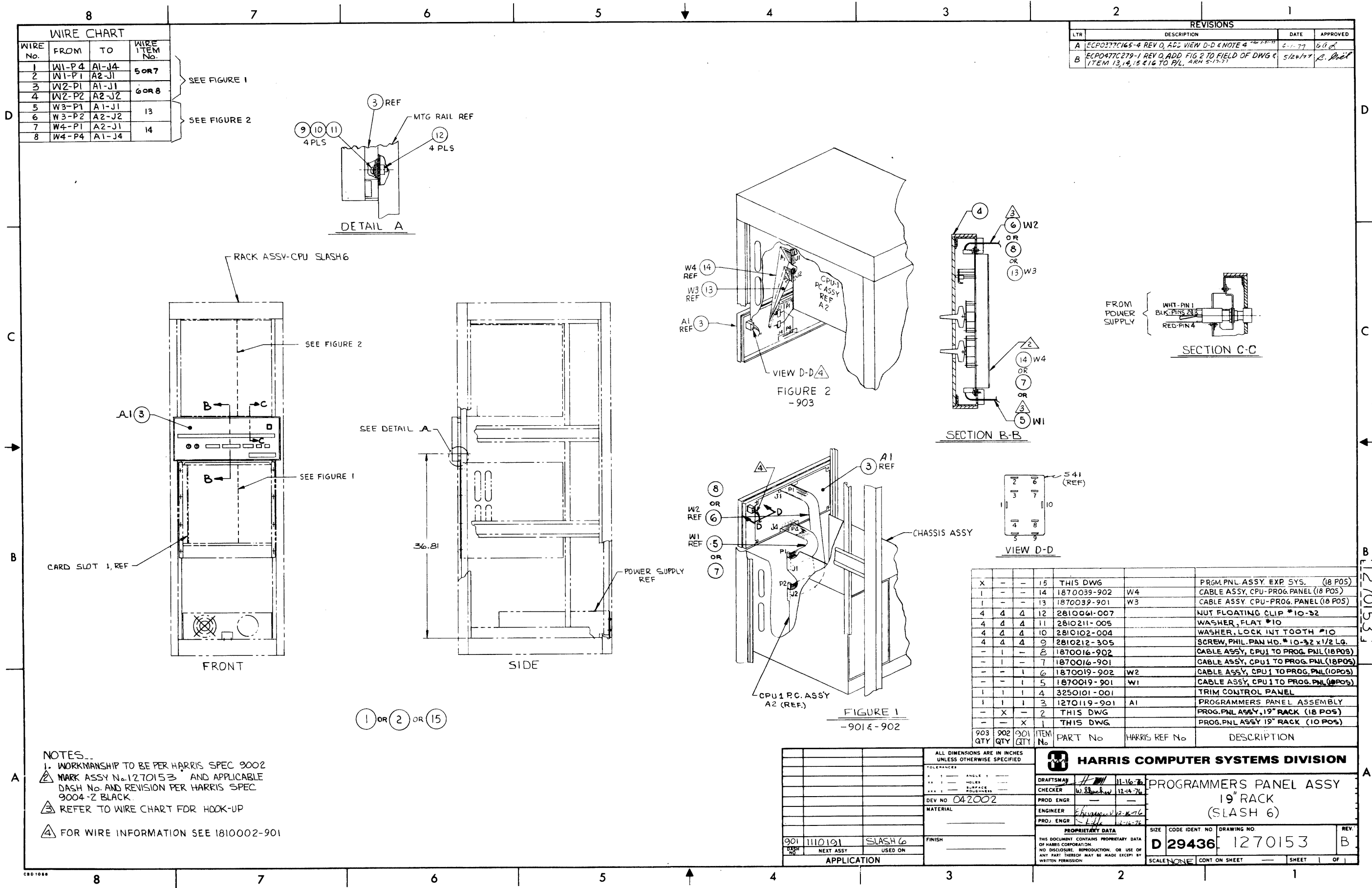
PROPRIETARY DATA

THIS DOCUMENT CONTAINS PROPRIETARY DATA OF HARRIS CORPORATION. NO DISCLOSURE, REPRODUCTION, OR USE OF ANY PART THEREOF MAY BE MADE EXCEPT BY WRITTEN PERMISSION.

SIZE CODE IDENT. NO. DRAWING NO.

D 29436 1270141

SCALE NONE CONT ON SHEET SHEET 2 OF 2



REVISIONS			
LTR	DESCRIPTION	DATE	APPROVED
A	ECPO377C165-4 REV 0, ADD VIEW D-D & NOTE 4	5-1-77	608
B	ECPO477C279-1 REV 0, ADD FIG 2 TO FIELD OF DWG & ITEM 13, 14, 15 & 16 TO P/L, ARH 5-17-77	5/24/77	C. Steel

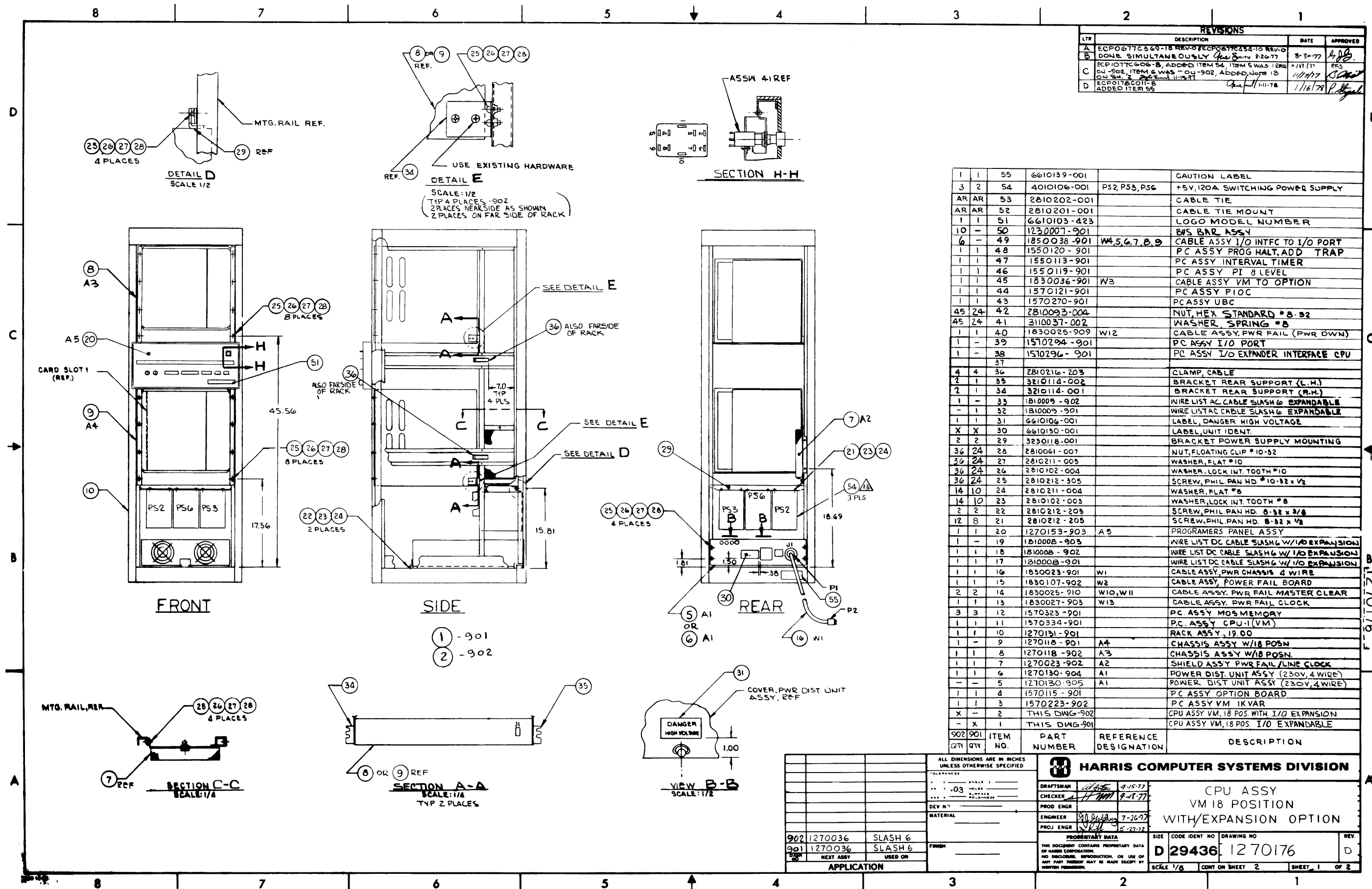
WIRE CHART			
WIRE No.	FROM	TO	WIRE ITEM No.
1	W1-P4	A1-J4	5 OR 7
2	W1-P1	A2-J1	6 OR 8
3	W2-P1	A1-J1	
4	W2-P2	A2-J2	
5	W3-P1	A1-J1	13
6	W3-P2	A2-J2	
7	W4-P1	A2-J1	14
8	W4-P4	A1-J4	

QTY	QTY	QTY	ITEM No.	PART No	HARRIS REF No	DESCRIPTION
		15		THIS DWG		PRGM PNL ASSY EXP SYS. (18 POS)
		14		1870039-902	W4	CABLE ASSY, CPU-PROG. PANEL (18 POS)
		13		1870039-901	W3	CABLE ASSY, CPU-PROG. PANEL (18 POS)
4	4	12		2810061-007		NUT FLOATING CLIP #10-32
4	4	11		2810211-005		WASHER, FLAT #10
4	4	10		2810102-004		WASHER, LOCK INT TOOTH #10
4	4	9		2810212-305		SCREW, PHIL. PAN HD. #10-32 x 1/2 LG.
	1	8		1870016-902		CABLE ASSY, CPU1 TO PROG. PNL (18 POS)
	1	7		1870016-901		CABLE ASSY, CPU1 TO PROG. PNL (18 POS)
		6		1870019-902	W2	CABLE ASSY, CPU1 TO PROG. PNL (10 POS)
		5		1870019-901	W1	CABLE ASSY, CPU1 TO PROG. PNL (10 POS)
1	1	4		3250101-001		TRIM CONTROL PANEL
1	1	3		1270119-901	A1	PROGRAMMERS PANEL ASSEMBLY
	X	2		THIS DWG		PROG. PNL ASSY, 19" RACK (18 POS)
		X		THIS DWG		PROG. PNL ASSY 19" RACK (10 POS)

NOTES...

- WORKMANSHIP TO BE PER HARRIS SPEC 9002
- MARK ASSY No. 1270153 AND APPLICABLE DASH No. AND REVISION PER HARRIS SPEC 9004-2 BLACK.
- REFER TO WIRE CHART FOR HOOK-UP
- FOR WIRE INFORMATION SEE 1810002-901

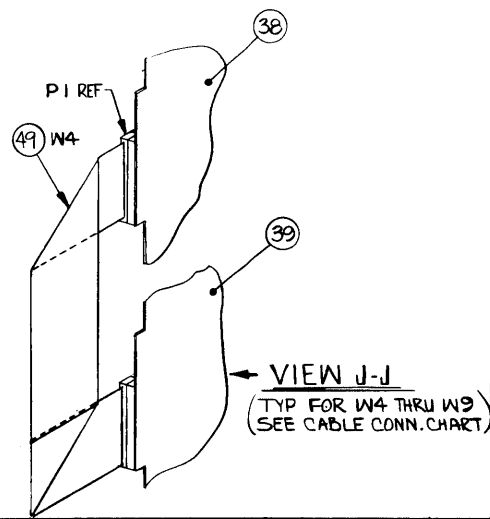
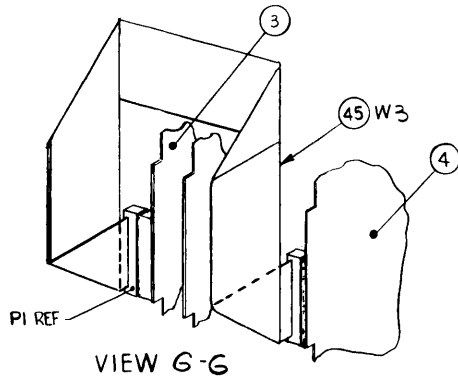
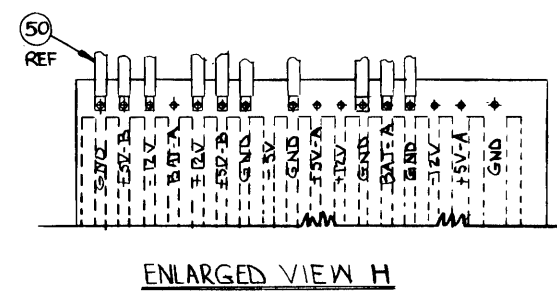
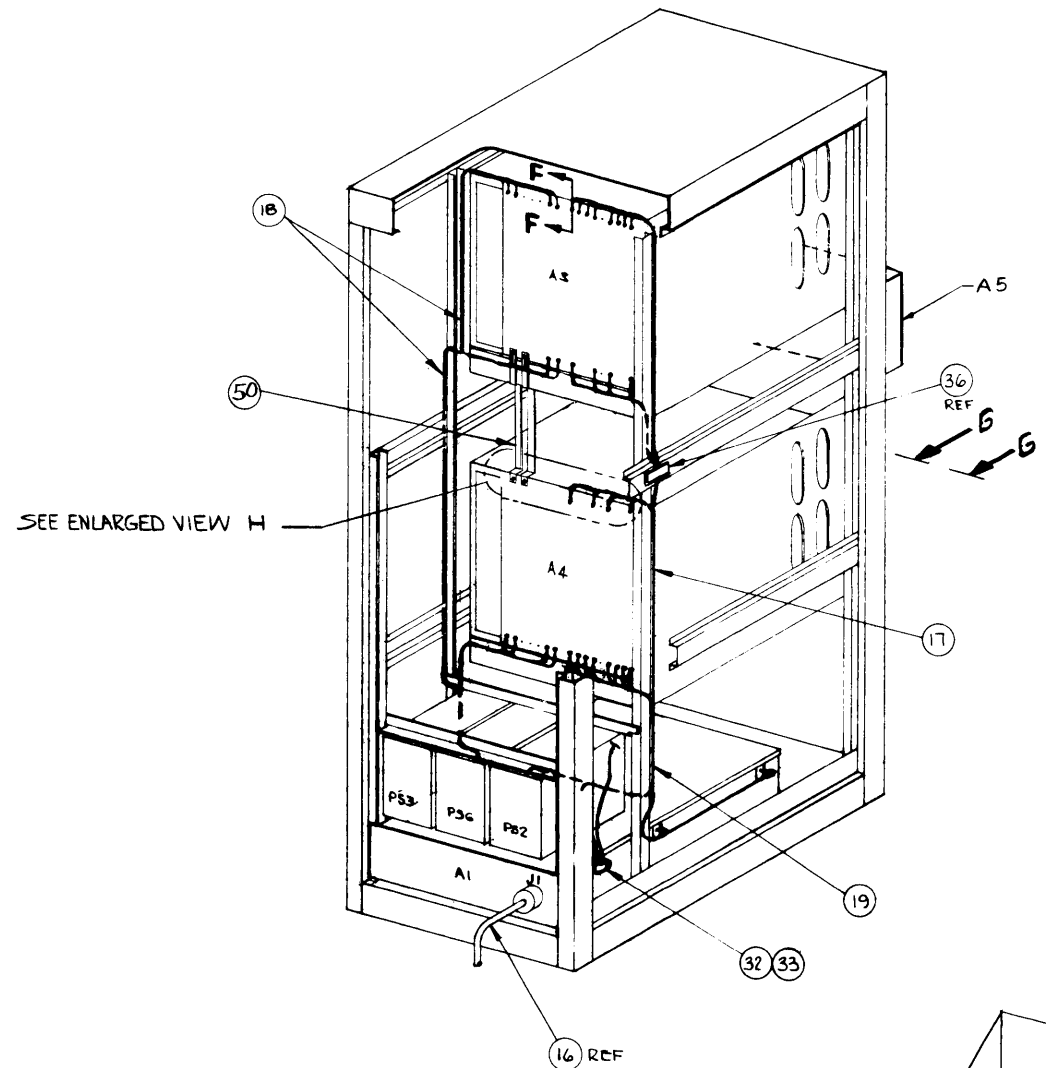
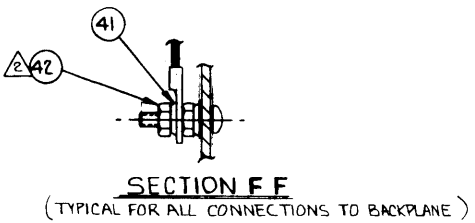
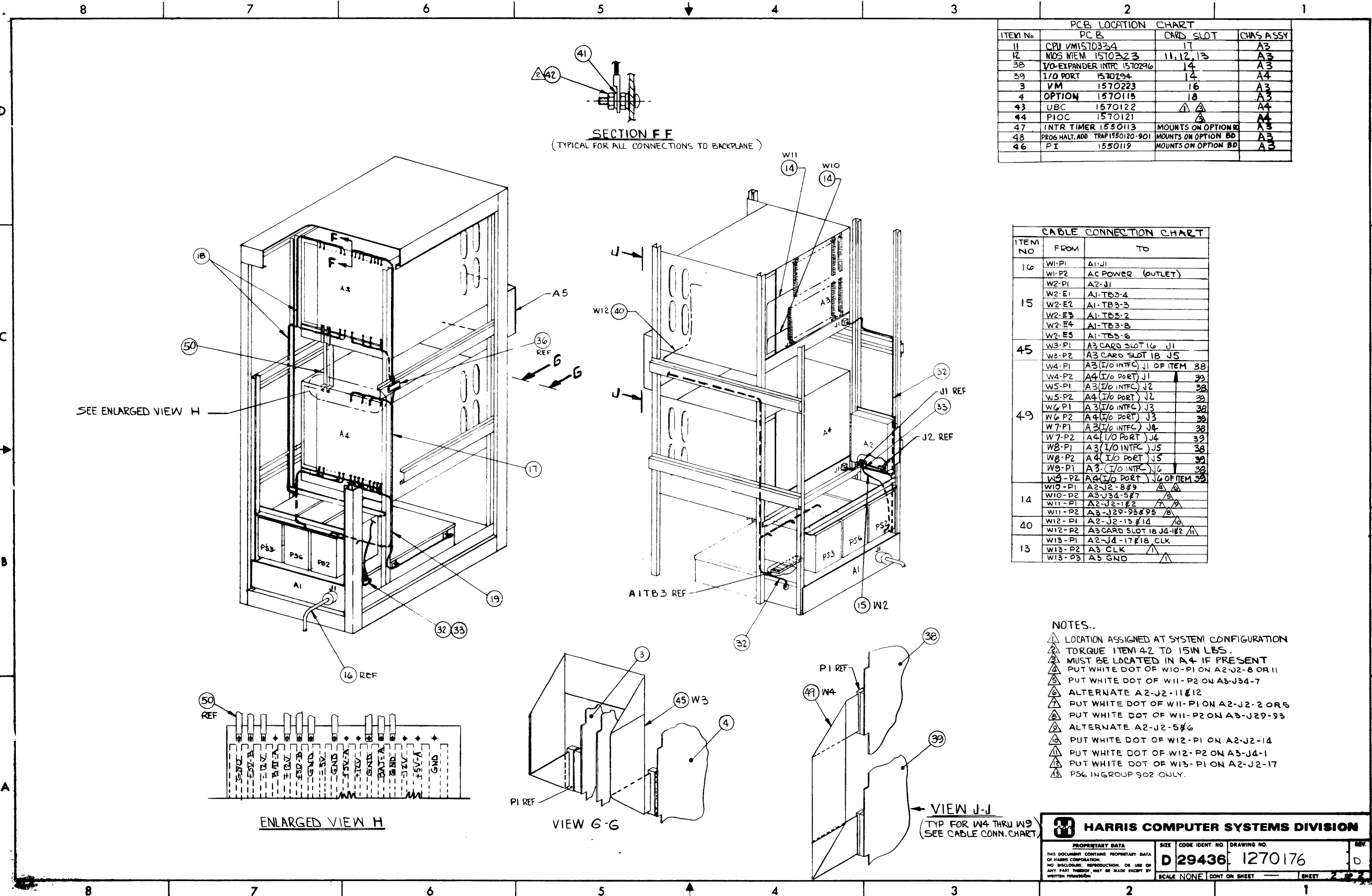
ALL DIMENSIONS ARE IN INCHES UNLESS OTHERWISE SPECIFIED TOLERANCES: * .1 - ANGLE ** .005 - HOLES *** .005 - SURFACE ROUGHNESS		HARRIS COMPUTER SYSTEMS DIVISION DRAFTSMAN: [Signature] 11-16-76 CHECKER: W. [Signature] 12-14-76 DEV NO: 042002 MATERIAL: FINISH: APPLICATION: SLASH 6		PROGRAMMERS PANEL ASSY 19" RACK (SLASH 6) SIZE: D 29436 CODE IDENT NO: 1270153 DRAWING NO: 1270153 SCALE: NONE CONT ON SHEET: [] SHEET: 1 OF 1	
---	--	--	--	---	--



PCB LOCATION CHART			
ITEM No.	PCB	CARD SLOT	CHAS ASSY
11	CPU VM15T0334	17	A3
12	MDS MEM 15T0323	11, 12, 13	A3
38	I/O EXPANDER INTFC 15T0296	14	A3
39	I/O PORT 15T0294	14	A4
3	VM 15T0223	16	A3
4	OPTION 15T0113	18	A3
43	UBC 1570122	⚠	A4
44	PIOC 1570121	⚠	A4
47	INTR TIMER 1550113	MOUNTS ON OPTION B	A3
48	PROG HALT, ADD TRAP1550120-901	MOUNTS ON OPTION B	A3
46	PI 1550119	MOUNTS ON OPTION B	A3

CABLE CONNECTION CHART		
ITEM NO	FROM	TO
16	W1-P1	A1-J1
	W1-P2	AC POWER (OUTLET)
	W2-P1	A2-J1
15	W2-E1	A1-TB3-4
	W2-E2	A1-TB3-3
	W2-E3	A1-TB3-2
	W2-E4	A1-TB3-B
	W2-E5	A1-TB3-6
45	W3-P1	A3 CARD SLOT 16 J1
	W3-P2	A3 CARD SLOT 18 J5
	W4-P1	A3(I/O INTFC) J1 OF ITEM 38
	W4-P2	A4(I/O PORT) J1
	W5-P1	A3(I/O INTFC) J2
	W5-P2	A4(I/O PORT) J2
49	W6-P1	A3(I/O INTFC) J3
	W6-P2	A4(I/O PORT) J3
	W7-P1	A3(I/O INTFC) J4
	W7-P2	A4(I/O PORT) J4
	W8-P1	A3(I/O INTFC) J5
	W8-P2	A4(I/O PORT) J5
	W9-P1	A3(I/O INTFC) J6
	W9-P2	A4(I/O PORT) J6 OF ITEM 39
14	W10-P1	A2-J2-8#9
	W10-P2	A3-J34-5#7
	W11-P1	A2-J2-1#2
	W11-P2	A3-J29-9#9
40	W12-P1	A2-J2-13#14
	W12-P2	A3 CARD SLOT 18 J4-1#2
13	W13-P1	A2-J4-17#18 CLK
	W13-P2	A3 CLK
	W13-P3	A3 GND

- NOTES..
- ⚠ LOCATION ASSIGNED AT SYSTEM CONFIGURATION
 - ⚠ TORQUE ITEM 42 TO 15IN LBS.
 - ⚠ MUST BE LOCATED IN A4 IF PRESENT
 - ⚠ PUT WHITE DOT OF W10-P1 ON A2-J2-8 OR 11
 - ⚠ PUT WHITE DOT OF W11-P2 ON A3-J29-9#9
 - ⚠ ALTERNATE A2-J2-11#12
 - ⚠ PUT WHITE DOT OF W11-P1 ON A2-J2-2 OR 5
 - ⚠ PUT WHITE DOT OF W11-P2 ON A3-J29-9#9
 - ⚠ ALTERNATE A2-J2-5#6
 - ⚠ PUT WHITE DOT OF W12-P1 ON A2-J2-14
 - ⚠ PUT WHITE DOT OF W12-P2 ON A3-J4-1
 - ⚠ PUT WHITE DOT OF W13-P1 ON A2-J2-17
 - ⚠ PS6 IN GROUP 902 ONLY.



HARRIS COMPUTER SYSTEMS DIVISION

PROPRIETARY DATA
THIS DOCUMENT CONTAINS PROPRIETARY DATA OF HARRIS CORPORATION. NO DISCLOSURE, REPRODUCTION, OR USE OF ANY PART THEREOF, MAY BE MADE EXCEPT BY WRITTEN PERMISSION.

SIZE CODE IDENT. NO. DRAWING NO.
D 29436 1270176

SCALE NONE CONT ON SHEET SHEET 2 OF 2

SECTION VI

PARTS LIST

6-1 PARTS LIST INDEX

The following parts lists are contained in this section. The parts lists pertain to (and referenced on) the PC & Mechanical Assy. Dwgs. in Section IV and V of this manual.

Drawing Number	Title/Description	Drawing Sheets / Revision	Manual Revision	Page Number
1210023	Assembly Power Fail Shutdown/Restart 100/120Hz Clock	2 C	102	6-3
1210128	Panel Assembly, Power Supply Chassis	2 D	102	6-3
1210130	Power Distribution Unit Assembly	5 F	103	6-4
1210131	Rack Assembly, 1900	3 E	103	6-5
1510113	P.C. Assembly, Interval Timer	2 D	103	6-5
1510115	P.C. Assembly Option Board	4 J	103	6-6
1510117	P.C. Assembly, Program Restrict	3 E	102	6-7
1510119	P.C. Assembly, 8 Level Priority Interrupt	2 C	102	6-7
1510120	P.C. Assembly, Address Trap	2 D	102	6-8
1510125	P.C. Assembly, Programmers Control Panel	3 E	103	6-8
1510129	P.C. Assembly, Extender Board	2 F	103	6-9
1510146	Component Assembly, Priority Interrupt Terminator	4 B	103	6-9
1510223	P.C. Assembly, Virtual Memory	6 F	103	6-10
1510236	P.C. Assembly, CPU-1	7 N	103	6-11
1510242	P.C. Assembly, Power Control/Line Clock	3 C	102	6-13
1510250	P.C. Assembly, Turnkey Control Panel	2 A	102	6-13
1510292	P.C. Assembly, SAU Interface	5 H	103	6-14
1510294	P.C. Assembly I/O Port (Single)	3 B	102	6-15
1510296	P.C. Assembly, I/O Interface	3 B	102	6-15
1510309	P.C. Assembly, Power Fail Shutdown/Restart	9 D	103	6-16
1510313	P.C. Assembly, MOS Data Save	5 C	103	6-18
1510322	P.C. Assembly, +5V & +12V Clamp	3 A	103	6-19
1510334	P.C. Assembly, CPU-1	12 F	103	6-20
1810000	Wire Schedule (D.C. Cable) 18 Position	7 D	103	6-22
1810001	Wire Schedule (D.C. Cable) 10 Position	6 C	103	6-24
1810002	Wire List AC Cabling	6 B	102	6-25

PARTS LIST		HARRIS COMPUTER SYSTEMS DIVISION		CONTRACT NO.	CODE IDENT.	REVISION	
				29436	1210023	C	
TITLE: ASSEMBLY POWER FAIL SHUTDOWN/RESTART 100/120 HZ CLOCK				AUTHENTICATION	REV. AUTH. NO.	SHEET 1 OF 2	
THIS SHEET SHALL BE USED AS TITLE SHEET FOR RECORDING OF REVISIONS.				REVISIONS			
				LTR	DESCRIPTION	DATE	APPROVED
				A	ECP 01110009-3 REV 0 ADD GROUP 902 ITEM 22, 3 READ, WAS 5 READ	1/18/77	E. O. Linneman
				B	ECP 0277034-3 REV 0, ADD ITEM 11, 12, 14, 21, CHG QTY ITEM 18, 19 AND 20	5-1-77	E. O. Linneman
C	ECP 0377053-4 REV 0, REV. AUTH. NO. 1570242-901	6-15-77	E. O. Linneman				

PARTS LIST		HARRIS COMPUTER SYSTEMS DIVISION		CONTRACT NO.	CODE IDENT.	REVISION	
				29436	1210128	D	
TITLE: PANEL ASSY. POWER SUPPLY CHASSIS				AUTHENTICATION	REV. AUTH. NO.	SHEET 1 OF 2	
THIS SHEET SHALL BE USED AS TITLE SHEET FOR RECORDING OF REVISIONS.				REVISIONS			
				LTR	DESCRIPTION	DATE	APPROVED
				A	ECP 08760357-1, Rev. 0, Rev. Item 14 P/N from -002 to -001 & Rev. relay terminology	9/13/76	Conce P.
				B	ECP 12760515-3 TITLE WAS ASSY PANEL POWER SUPPLY CHASSIS CHG ITEM 17 IN P/L 6, 1576	1-4-77	E. O. Linneman
				C	ECP 027703-1 REV 0, CHANGE ITEM 10 PART NO. 5-1576	5-1-77	E. O. Linneman
D	ECP 05770314-1 REV 0, CHANGE ITEM DASH NO. & DESCRIPTION	6-15-77	Conce Phil				

PARTS LIST		HARRIS COMPUTER SYSTEMS DIVISION		CONTRACT NO.	CODE IDENT.	REVISION	
				29436	1210023	C	
TITLE: ASSEMBLY POWER FAIL SHUTDOWN/RESTART 100/120 HZ CLOCK				AUTHENTICATION	REV. AUTH. NO.	SHEET 2 OF 2	
ITEM NO.	QTY	RQD	CODE IDENT.	HARRIS REFERENCE NO.	PART NUMBER	REFERENCE DESIGNATION	DESCRIPTION
1	-	X	901		1270023-901		ASSY. PWR. FAIL SHUTDOWN/RESTART 100/120 HZ CLK
2	X	-			1270023-902		ASSY. PWR. FAIL SHUTDOWN/RESTART 100/120 HZ CLK
3							
4							
5	1	-			1250115-902		ASSY. PLATE MTG.
6	-	1			1250115-901		ASSY. PLATE MTG.
7	1	1			1250116-901		ASSY. PLATE COVER
8	-	1			1230105-901		ASSY. BRACKET SUPPORT
9	1	1			1570309-901		PCB PWR. FAIL SHUTDOWN/RESTART
10	1	-			3230127-001		SUPPORT BRACKET, PWR FAIL BRD.
11	4JM	4IN			6010106-507		WIRE, STRD. 18 AWG, GRN/YEL
12	1	1			2210104-004		LUG, RING TONGUE #8 RED
13	4	4			3110005-120		STANDOFF, 1/4 INCH ROUND
14	1	1			2810124-004		1/4 TURN STUD
15	1	1			2810124-001		SPRIT RING RETAINER
16	1	1			2810124-101		CLIP-ON RECEPTACLE
17	1	1			2210104-003		LUG, RING TONGUE, #6 RED
18	9	9			2810212-103		SCREW, PHIL. PAN HD, #6-32 x 3/8
19	11	11			2810211-003		WASHER, FLAT #6
20	2	2			2810102-002		WASHER, LOCK, INT. TOOTH #6
21	2	-			2810208-003		NUT, HEX, #6-32
22	5	3			2810212-203		SCREW, PHIL. PAN HD #6-32 x 3/8
23	5	5			2810211-004		WASHER, FLAT #8
24	5	5			2810102-003		WASHER, LOCK, INT. TOOTH #8
25	2	-			2810212-204		SCREW, PHIL. PAN HD, #8-32 X 7/16
26	1	1			6610106-001		LABEL DANGER HIGH VOLTAGE
27	1	1			2810208-002		NUT, HEX, #6-32

PARTS LIST		HARRIS COMPUTER SYSTEMS DIVISION		CONTRACT NO.	CODE IDENT.	REVISION	
				29436	1210128	D	
TITLE: PANEL ASSY. POWER SUPPLY CHASSIS				AUTHENTICATION	REV. AUTH. NO.	SHEET 2 OF 2	
ITEM NO.	QTY	RQD	CODE IDENT.	HARRIS REFERENCE NO.	PART NUMBER	REFERENCE DESIGNATION	DESCRIPTION
1		X	901		1270128-901		ASSY. FRONT PANEL, PWR. SPLY. CHASSIS
2							
3							
4							
5							
6							
7							
8	1				3270112-001		PANEL FRONT, POWER SUPPLY
9	1				2125004-101		PLUG, AC, TWIST LOCK, 30A, 125/230V
10	1				5114001-003		CIRCUIT BREAKER, 30A
11							
12							
13	1				5610003-004		TRANSFORMER, CONTROL, 115/230V, 50/60Hz
14	1				4510006-001		RELAY, 40 AMP, AC, 3 POLE, N.O.
15	4				5210111-010		FUSE HOLDER, 250V, 20A
16	1				5210010-010		FUSE, 2A, 250V CARTRIDGE, GLASS, 2A
17	3				5210010-014		FUSE, 5A, 250V CARTRIDGE, GLASS, 5A
18	1				3230008-001		PLATE, COVER, ETM
19	1				2810129-201		RECEPTACLE, SIDE MOUNT, 1/4 TURN FAST
20	2				2810212-004		SCREW, PHIL. PAN HD, #4-40 X 7/16
21	2				2810212-004		SCREW, PHIL. PAN HD, #4-40 X 7/16
22	4				2810212-102		SCREW, PHIL. PAN HD, #6-32 X 5/16
23	7				2810212-104		SCREW, PHIL. PAN HD, #6-32 X 7/16
24					2810212-106		SCREW, PHIL. PAN HD, #8-32 X 1/2
25	8				2810212-205		WASHER, LOCK, INT. TOOTH #4
26	2				2810102-001		WASHER, FLAT #6
27	11				2810102-002		WASHER, LOCK, INT. TOOTH #6
28	8				2810102-003		WASHER, LOCK, INT. TOOTH #8
29	2				2810211-002		WASHER, FLAT #4
30	11				2810211-003		WASHER, FLAT #6
31	8				2810211-004		WASHER, FLAT #8
32	2				2810208-001		HEX NUT, STD, #4-40
33	2				2810208-002		HEX NUT, STD, #6-32
34	8				2810208-003		HEX NUT, STD, #8-32
35							
36							
37							
38							

PARTS LIST		HARRIS COMPUTER SYSTEMS DIVISION		CONTRACT NO.	CODE IDENT.	1210130	REVISION	F
TITLE				AUTHENTICATION	REV. AUTH. NO.	SHEET 1	OF 5	
POWER DISTRIBUTION UNIT ASSEMBLY				912/20/78	9 R/27-76			
REVISIONS								
LTR	DESCRIPTION	DATE	APPROVED					
A	ECP 0976C381-5, Rev. O, add Item 63, Rev. Title was Power Supply Assy.	11/27/76	[Signature]					
B	REV. PER ECP 0976C381-5A REV. O (CHANGED P/C ITEM 24 WAS 21011-203, 45 WAS 10 311011-208, 86 WAS 21011-207 87 WAS 21011-106 2nd 11/27/76)	11/27/76	[Signature]					
C	ECP 0976C381 REV. A, ADD ITEM 6 TO 204 THRU 905	11/27/76	[Signature]					
D	ECP 0976C381-5 REV. O, ADD TO ITEM 23 - 003 & 115V	11/27/76	[Signature]					
E	ECP 0976C381-5A REV. O, ADD TO ITEM 23 - 003 & 115V	11/27/76	[Signature]					
F	ECP 1011C006-B, ADD 200 115V 3 WIRE TO DISC. OF ITEM 18. ADD 230V, 4 WIRE TO DISC. OF ITEMS 2, 4 & 5. ITEM 19 WAS 2 RECD FOR 303-904 & 905. ITEM 31 WAS 5 RECD FOR 901-902 & 903	11/27/76	[Signature]					

PARTS LIST		HARRIS COMPUTER SYSTEMS DIVISION		CONTRACT NO.	CODE IDENT.	1210130	REVISION	F
TITLE				AUTHENTICATION	REV. AUTH. NO.	SHEET 3	OF 5	
POWER DISTRIBUTION UNIT ASSY.								
ITEM NO.	QTY. RQD.	905	904	CODE IDENT.	HARRIS REFERENCE NO.	PART NUMBER	DESCRIPTION	
1	-	-	-			1270130-901	POWER DISTRIBUTION UNIT ASSY., 115V, 3 WIRE	
2	-	-	-			1270130-902	POWER DISTRIBUTION UNIT ASSY., 230V, 4 WIRE	
3	-	-	-			1270130-903	POWER DISTRIBUTION UNIT ASSY., 115V, 3 WIRE	
4	-	-	X			1270130-904	POWER DISTRIBUTION UNIT ASSY., 230V, 4 WIRE	
5	-	X	-			1270130-905	POWER DISTRIBUTION UNIT ASSY., 230V, 4 WIRE	
6	X	X	X			0970276	SCHEMATIC A.C. POWER DISTRIBUTION UNIT	
7								
8								
9								
10								
11	1	1	1			1270128-901	ASSY. FRONT PANEL PWR. SPLY. CHASSIS	
12	1	1	1			3370112-901	CHASSIS POWER SUPPLY	
13	-	-	-			3230122-001	BRACKET POWER SUPPLY	
14	1	1	1			3250109-001	BRACKET, TERMINAL BLOCK	
15	1	1	1			3210119-001	BRACKET, CHASSIS SUPPORT	
16	1	1	1			1250114-901	COVER, POWER SUPPLY CHASSIS	
17								
18	1	1	1			4010104-001	±12V, 4A POWER SUPPLY	
19	-	-	-			4010106-001	+5V, 120A SWITCHING POWER SUPPLY	
20	1	1	1			4010105-001	+12V, 12A POWER SUPPLY	
21								
22	1	1	1			6210005-001	LINE FILTER	
23	2	2	2			2610101-003	FAN, 115V	
24	2	2	2			2610102-001	FAN GUARD	
25	1	1	1			2210112-003	TERMINAL BLOCK (3 Pos)	
26	1	1	1			1250117-901	TERMINAL BLOCK ASSY. (4 Pos)	
27	1	1	1			1250117-902	TERMINAL BLOCK ASSY. (9 Pos)	
28	1	1	1			3710006-101	EDGE GUARD	
29	5	5	5			2810201-003	CABLE TIE MOUNT	
30	5	5	5			2810202-001	CABLE TIE	
31	1	1	1			2210112-204	JUMPER	
32	1	1	1			2210112-103	MARKER STRIP (3 Pos)	
33	1	1	1			2210112-104	MARKER STRIP (4 Pos)	
34	1	1	1			2210112-109	MARKER STRIP (9 Pos)	
35	8	8	8			2810212-108	SCREW, PHIL. PAN HD #6-32 x 7/8	
36	23	23	23			2810212-203	SCREW, PHIL. PAN HD #8-32 x 3/8	
37	12	12	12			2810212-206	SCREW, PHIL. PAN HD #8-32 x 5/8	
38	4	4	4			2810212-212	SCREW, PHIL. PAN HD #8-32 x 1-1/2	

PARTS LIST		HARRIS COMPUTER SYSTEMS DIVISION		CONTRACT NO.	CODE IDENT.	1210130	REVISION	F
TITLE				AUTHENTICATION	REV. AUTH. NO.	SHEET 5	OF 5	
POWER DISTRIBUTION UNIT ASSEMBLY								
ITEM NO.	QTY. RQD.	905	904	CODE IDENT.	HARRIS REFERENCE NO.	PART NUMBER	DESCRIPTION	
39	8	8	8			2810102-002	WASHER, LOCK, INT. TOOTH #6	
40	36	36	36			2810102-003	WASHER, LOCK, INT. TOOTH #8	
41								
42	16	16	16			2810211-003	WASHER, FLAT #6	
43	36	36	36			2810211-004	WASHER, FLAT #8	
44								
45	8	8	8			2810208-002	NUT, HEX, STD #6-32	
46	4	4	4			2810208-003	NUT, HEX, STD #8-32	
47								
48								
49								
50	2	2	2			6010111-002	MOLDED CABLE ASSY.	
51	AR	AR	AR			6010106-001	WIRE, ELEC. IPVC, INSUL #10 AWG, BLK	
52						6010106-101	WIRE, ELEC. IPVC, INSUL #10 AWG, RED	
53						6010106-301	WIRE, ELEC. IPVC, INSUL #10 AWG, WHT	
54						6010106-501	WIRE, ELEC. IPVC, INSUL #10 AWG, GRN/YEL	
55						6010106-005	WIRE, ELEC. IPVC, INSUL #14 AWG, BLK	
56						6010106-007	WIRE, ELEC. IPVC, INSUL #14 AWG, BLK	
57						6010106-307	WIRE, ELEC. IPVC, INSUL #18 AWG, WHT	
58						6010106-107	WIRE, ELEC. IPVC, INSUL #18 AWG, RED	
59						6010106-305	WIRE, ELEC. IPVC, INSUL #14 AWG, WHT	
60						6010106-505	WIRE, ELEC. IPVC, INSUL #14 AWG, GRN/YEL	
61						6010106-508	WIRE, ELEC. IPVC, INSUL #14 AWG, GRN/YEL	
62						6010106-507	WIRE, ELEC. IPVC, INSUL #20 AWG, BLK	
63						6010106-507	WIRE, ELEC. IPVC, INSUL #18 AWG, GRN/YEL	
64	6	6	6			2210101-202	TERMINAL LUG, SLOTTED SPADE	
65	4	4	4			2810101-208	TERMINAL LUG, SLOTTED SPADE	
66	4	4	4			2810101-207	TERMINAL LUG, SLOTTED SPADE	
67	2	2	2			2810101-106	TERMINAL LUG, SLOTTED SPADE	
68								
69	15	15	15			2115015-001	QUICK DISCONNECT RECEPTACLE	
70	4	4	4			2115015-002	QUICK DISCONNECT RECEPTACLE	
71	8	8	8			2115015-004	QUICK DISCONNECT RECEPTACLE	
72	4	4	4			2115013-001	QUICK DISCONNECT RECEPTACLE	
73	3	3	3			2115013-002	QUICK DISCONNECT RECEPTACLE	
74								
75	-	-	-			4710501-131	RESISTOR, 1/4 WATT 68Ω	

PARTS LIST		HARRIS COMPUTER SYSTEMS DIVISION		CONTRACT NO.	CODE IDENT.	1210130	REVISION	F	
TITLE				AUTHENTICATION	REV. AUTH. NO.	SHEET 2	OF 5		
POWER DISTRIBUTION UNIT ASSEMBLY									
ITEM NO.	QTY. RQD.	903	902	901	CODE IDENT.	HARRIS REFERENCE NO.	PART NUMBER	REFERENCE DESIGNATION	DESCRIPTION
1	-	-	-	X			1270130-901		POWER DISTRIBUTION UNIT ASSY., 115V, 3 WIRE
2	-	X	-	-			1270130-902		POWER DISTRIBUTION UNIT ASSY., 230V, 4 WIRE
3	X	-	-	-			1270130-903		POWER DISTRIBUTION UNIT ASSY., 115V, 3 WIRE
4	-	-	-	-			1270130-904		POWER DISTRIBUTION UNIT ASSY., 230V, 4 WIRE
5	-	-	-	-			1270130-905		POWER DISTRIBUTION UNIT ASSY., 230V, 4 WIRE
6	X	X	X	X			0970276		SCHEMATIC A.C. PWR. DIST. UNIT
7									
8									
9									
10									
11	1	1	1	1			1270128-901		ASSY. FRONT PANEL, PWR SPLY CHASSIS
12	1	1	1	1			3370112-901		CHASSIS POWER SUPPLY
13	-	-	-	-			3230122-001		BRACKET POWER SUPPLY
14	1	1	1	1			3250109-001		BRACKET, TERMINAL BLOCK
15	1	1	1	1			3210119-001		BRACKET, CHASSIS SUPPORT
16	1	1	1	1			1250114-901		COVER, POWER SUPPLY CHASSIS
17									
18	1	1	1	1			4010104-001		±12V, 4A POWER SUPPLY
19	-	-	-	-			4010106-001		+5V, 120A SWITCHING POWER SUPPLY
20	1	1	1	1			4010105-001		+12V, 12A POWER SUPPLY
21									
22	1	1	1	1			6210005-001		LINE FILTER
23	2	2	2	2			2610101-003		FAN, 115 V
24	2	2	2	2			2610102-001		FAN GUARD
25	1	1	1	1			2210112-003		TERMINAL BLOCK (3 Pos)
26	1	1	1	1			1250117-901		TERMINAL BLOCK ASSY. (4 Pos)
27	1	1	1	1			1250117-902		TERMINAL BLOCK ASSY. (9 Pos)
28	1	1	1	1			3710006-101		EDGE GUARD
29	5	5	5	5			2810201-003		CABLE TIE MOUNT
30	5	5	5	5			2810202-001		CABLE TIE
31	1	1	1	1			2210112-204		JUMPER
32	1	1	1	1			2210112-103		MARKER STRIP (3 Pos)
33	1	1	1	1			2210112-104		MARKER STRIP (4 Pos)
34	1	1	1	1			2210112-109		MARKER STRIP (9 Pos)
35	8	8	8	8			2810212-108		SCREW, PHIL. PAN HD #6-32 x 7/8
36	23	23	23	23			2810212-203		SCREW, PHIL. PAN HD #8-32 x 3/8
37	12	12	12	12			2810212-206		SCREW, PHIL. PAN HD #8-32 x 5/8
38	4	4	4	4			2810212-212		SCREW, PHIL. PAN HD #8-32 x 1-1/2

PARTS LIST		HARRIS COMPUTER SYSTEMS DIVISION		CONTRACT NO.	CODE IDENT.	1210130	REVISION	F	
TITLE				AUTHENTICATION	REV. AUTH. NO.	SHEET 4	OF 5		
POWER DISTRIBUTION UNIT ASSY.									
ITEM NO.	QTY. RQD.	903	902	901	CODE IDENT.	HARRIS REFERENCE NO.	PART NUMBER	REFERENCE DESIGNATION	DESCRIPTION
39	8	8	8	8			2810102-002		WASHER LOCK INT. TOOTH #6
40	36	36	36	36			2810102-003		WASHER LOCK, INT. TOOTH #8
41									
42	16	16	16	16			2810211-003		WASHER, FLAT #6
43	36	36	36	36			2810211-004		WASHER, FLAT #8
44									
45	8	8	8	8			2810208-002		NUT, HEX, STD #6-32
46	4	4	4	4			2810208-003		NUT, HEX, STD #8-32
47									
48									
49									
50	2	2	2	2			6010111-002		MOLDED CABLE ASSY.
51	AR	AR	AR	AR			6010106-001		WIRE, ELEC. IPVC, INSUL

PARTS LIST		HARRIS COMPUTER SYSTEMS DIVISION		CONTRACT NO.	CODE IDENT.	REVISION
TITLE: RACK ASSEMBLY, 19.00		AUTHENTICATION: <i>[Signature]</i>		29436	1210131	E
SHEET 1 OF 3		REV. AUTH. NO.				
REVISIONS						
LTR	DESCRIPTION	DATE	APPROVED			
A	ECP 1176C453-2, REV 0 CHANGE QTY ON ITEMS 4, 27, 28, 38, 47, 52. CORRECT PART NO ITEMS 10, 15 & 52. DELETE ITEMS 11, 17 & 48. ADD ITEMS 25 & 25. <i>[Signature]</i>	11/24/76	<i>[Signature]</i>			
B	ADDED GROUP-907 <i>[Signature]</i>	11-27-76	<i>[Signature]</i>			
C	ECP 1176C453-2, ITEM 42 QTY-902 WAS 24, CONVERT. PART NO. ITEM 73 CONVERT. PART NO. ITEM 35 QTY-902 WAS 48, ITEM 46 QTY-901 WAS 32, CONVERT. PART NO. ITEM 49 CONVERT. PART NO. <i>[Signature]</i>	10/24/76	<i>[Signature]</i>			
D	ADDED GROUP-908 <i>[Signature]</i>	11/17/76	<i>[Signature]</i>			
E	ECP 0178C018-2-CABLE COVER ITEM 14 WAS 3250105-001 <i>[Signature]</i>	11-30-76	<i>[Signature]</i>			

THIS SHEET SHALL BE USED AS TITLE SHEET FOR RECORDING OF REVISIONS.

PARTS LIST		HARRIS COMPUTER SYSTEMS DIVISION		CONTRACT NO.	CODE IDENT.	REVISION	
TITLE: RACK ASSEMBLY 19.00		AUTHENTICATION: <i>[Signature]</i>		29436	1210131	F	
SHEET 3 OF 3		REV. AUTH. NO.					
ITEM NO.	QTY	RQD	CODE IDENT.	HARRIS REFERENCE NO.	PART NUMBER	REFERENCE DESIGNATION	DESCRIPTION
39	53	52	901		2810102-005		WASHER, LOCK, INT. TOOTH, 1/4
40	16	16	14		2810102-004		WASHER, LOCK, INT. TOOTH, #10
41	3	3	3		2810102-003		WASHER, LOCK, INT. TOOTH, #8
42	2	-	-		2810158-001		WASHER, FLAT, 1/4
43	1	-	-		2810210-105		WASHER, LOCK, SPRING 1/4
44	2	-	-		2810092-002		NUT, SELF LOCK #6-32
45	2	-	-		2810219-110		NUT, SPEED 1/4-20
46	36	32	36		2810061-007		NUT, CLIP, FLOATING #10-32
47	16	14	12		2810219-107		NUT, SPEED #6-32
48	26	26	26		2810208-002		NUT, HEX, 1/4-20
49	16	16	16		2810092-005		PREASSEMBLED LOCK W. & NUT 1/4-20
50	16	16	16		2810092-003		NUT, HEX, SLE. LK. #6-32
51	1	1	1	8280-021044308	2810092-007		NUT, HEX, 1/4-20
52	1	1	1		1250029-901		PLATE ASSY. (TERMINAL BLOCK)
53	2	-	-		1250018-901		ASSY. RACK 19.00
54	1	-	-		1250018-903		
55	X	-	-				

PARTS LIST		HARRIS COMPUTER SYSTEMS DIVISION		CONTRACT NO.	CODE IDENT.	REVISION	
TITLE: P.C. ASSEMBLY, INTERVAL TIMER		AUTHENTICATION: <i>[Signature]</i>		29436	1510113	D	
SHEET 2 OF 2		REV. AUTH. NO.					
ITEM NO.	QTY	RQD	CODE IDENT.	HARRIS REFERENCE NO.	PART NUMBER	REFERENCE DESIGNATION	DESCRIPTION
1			901				THIS DWG.
2			X				P.C. ASSY., INTERVAL TIMER
3							
4							
5			X		1550113		P.C. ASSY., INTERVAL TIMER, (REF. DWG.)
6			1		2070113-001		DRILL & DIM., INTERVAL TIMER
7			94		2130001-001		RECEPTACLE BOARD MOUNT
8			4		9280116-015		BUS BAR, MODIFIED
9							
10			4		6410000-097	U1, U3, U4, U9	INTEGRATED CIRCUIT (74532)
11			2		6410000-086	U2, U14	(74500)
12			2		6410000-091	U5, U27	(74508)
13			1		6410000-093	U6	(74511)
14			1		6410000-095	U7	(74520)
15			1		6410000-089	U8	(74504)
16			3		6410000-224	U11, U12, U15	(74514)
17			1		6410000-092	U17	(74510)
18			2		6410000-076	U18, U21	(74H74)
19			4		6410000-175	U19, U22, U23, U25	(74S169)
20			4		6410000-175	U26, U28, U31, U34	(74S169)
21			1		6410000-096	U20	(74530)
22			3		6410000-098	U24	(74537)
23			3		6410000-173	U29, U32, U35	(74273)
24			3		6410000-195	U30, U33, U36	INTEGRATED CIRCUIT (745240)
25							
26							
27							
28							
29							
30			12		6210001-227	C1 THRU C12	CAPACITOR, CERAMIC, .01 MED, ±20%, 50V
31							
32							
33							
34							
35							
36							
37			X		0920113		LOGIC DIAGRAM

PARTS LIST		HARRIS COMPUTER SYSTEMS DIVISION		CONTRACT NO.	CODE IDENT.	REVISION	
TITLE: RACK ASSEMBLY, 19.00		AUTHENTICATION: <i>[Signature]</i>		29436	1210131	E	
SHEET 2 OF 3		REV. AUTH. NO.					
ITEM NO.	QTY	RQD	CODE IDENT.	HARRIS REFERENCE NO.	PART NUMBER	REFERENCE DESIGNATION	DESCRIPTION
1	-	-	X		1270131-901		ASSY. RACK 19.00
2	-	X			1270131-902		ASSY. RACK 19.00
3	1	1	1		1270136-901		RACK, WELDMENT 19" MODIFICATION
4	2	2	2	8250-047009005	8250-047009005		COWL
5	1	1	1		3230001-001		TRIM, HORIZONTAL
6	1	1	1		3270116-001		TOP
7	4	4	4	8250-065064006	65064-06		CASTER ROLLER
8	4	4	4	8250-065064007	65064-02		LEVELER
9	1	1	1		3250104-001		FLOOR, FRONT
10	1	1	1		1270126-901		FLOOR, REAR
11							
12	1	1	1		1250112-901		ASSY. GRILL BLOWER
13	1	1	1		2410037-001		FILTER
14	1	1	1		1250029-901		COVER, CABLE ASSY.
15	-	-	2	8250-049013002	MD49013-002		MOUNTING RAILS
16	6	6	2	8250-049013001	MD49013-001		MOUNTING RAILS
17							
18	12	12	12	8250-065064012	65064-12		HANGER, SIDE PANEL
19	4	4	4	8250-065064013	65064-13		HANGER, SIDE PANEL
20	2	2	1		3210124-001		BRACKET, CATCH MTC
21	-	-	1		3230195-001		BRACKET, MAGNET MTC
22	36	36	32		2810218-306		BOLT, HEX, HD, 1/4-20 x 5/8
23	16	16	16		2810218-311		BOLT, HEX, HD, 1/4-20 x 1 1/2
24	2	2	2		2810130-001		MAGNETIC CATCH
25	4	4	4		3210018-901		PLATE COVER, CIRCUIT BREAKER
26	4	4	4		2810172-901		SCREW, ORN. PHIL. 12-24 x 1
27	24	22	20		2810212-306		SCREW, PAN. HD. PHIL. 8-32 x 1/2
28	4	4	4		2810213-203		SCREW, PAN. HD. PHIL. 10-32 x 5/8
29	26	26	26		2810212-205		SCREW, FL. HD. PHIL. 8-32 x 3/8
30	4	4	4		2810212-405		SCREW, PAN. HD. PHIL. 8-32 x 1/2
31	2	2	2		2810127-205		SCREW, PAN. HD. PHIL. 1/4-20 x 1/2
32	6	6	6		2810221-001		SCREW, PAN. HD. PHIL. SLE. TAP #6 x 3/8
33	-	-	-		2810221-001		BOLT, HEX. HD. 1/4 x 20
34							
35	52	52	48		2810211-005		WASHER, FL. 1/4
36	16	16	14		2810211-005		WASHER, FL. #10
37	31	31	31		2810211-004		WASHER, FL. #8
38	8	8	8		2810211-003		WASHER, FL. #6

PARTS LIST		HARRIS COMPUTER SYSTEMS DIVISION		CONTRACT NO.	CODE IDENT.	REVISION
TITLE: P.C. ASSEMBLY, INTERVAL TIMER		AUTHENTICATION: <i>[Signature]</i>		29436	1510113	D
SHEET 1 OF 2		REV. AUTH. NO.				
REVISIONS						
LTR	DESCRIPTION	DATE	APPROVED			
A	INITIAL RELEASE	6-28-76	<i>[Signature]</i>			
B	ECP 0776C307-2, REV 0, NOTE 5 WAS 3506.380, NOW 2256.250 UPDATE RLC CHART	8-10-76	<i>[Signature]</i>			
C	1/2 INCH DIA. INTAKE RLC CHART INFO	11-19-76	<i>[Signature]</i>			
D	ECP 1276CS12-34, REV 0, RLC CONT. CHART INFO, TRANS. TO DWG. 1550113, REV TITLE ALL SHTS & ITEMS 1 & 4, REV SHT NO'S	1-20-77	<i>[Signature]</i>			

THIS SHEET SHALL BE USED AS TITLE SHEET FOR RECORDING OF REVISIONS.

PARTS LIST		HARRIS COMPUTER SYSTEMS DIVISION		CONTRACT NO.	CODE IDENT.	1510115	REVISION																																								
TITLE: P.C. ASSEMBLY, OPTION BOARD				AUTHENTICATION	REV AUTH. NO.	SHEET 1	OF 4																																								
<p>THIS SHEET SHALL BE USED AS TITLE SHEET FOR RECORDING OF REVISIONS.</p> <table border="1"> <thead> <tr> <th>LYR</th> <th>DESCRIPTION</th> <th>DATE</th> <th>APPROVED</th> </tr> </thead> <tbody> <tr> <td>A</td> <td>INITIAL RELEASE</td> <td>1-30-77</td> <td>JRH</td> </tr> <tr> <td>B</td> <td>ECP 1076C430-3, REV A ITEMS 29 & 77 PART NOS CHANGED, ITEM 38 ADDED ALC CHART UPDATED.</td> <td>1-11-77</td> <td>JRH</td> </tr> <tr> <td>C</td> <td>ECP1276C512-34 REV. O Rev level control chart info. transferred to DWG 1570115, Chg. Title all sheets & Items 1, 3, & 4.</td> <td>1-20-77</td> <td>JRH</td> </tr> <tr> <td>D</td> <td>ECP0177C001-3 REV O, REV 1 ITEMS 48, 64 & DELETE 66</td> <td>2-9-77</td> <td>JRH</td> </tr> <tr> <td>E</td> <td>ECP0177C029-3 REV O, REV 1 DELETE GRR-902 ITEM 3 & 41</td> <td>2-18-77</td> <td>JRH</td> </tr> <tr> <td>F</td> <td>ECP 0177C048-4, REV O ADD ITEM #66</td> <td>3-7-77</td> <td>JRH</td> </tr> <tr> <td>G</td> <td>ECP0177C029-4 REV A, REV 1 ITEM 58, 73, 76 & 84</td> <td>5-3-77</td> <td>JRH</td> </tr> <tr> <td>H</td> <td>ECP 0777C383-3, ADDED ITEM 69 & 82 CHANGED</td> <td>12-14-77</td> <td>JRH</td> </tr> <tr> <td>J</td> <td>ECP 1177C661-3 ITEM 76 CHANGE QTY. RQD. & ADD REF. DES. C 25, ITEM #83 CHANGE QTY. RQD. & ADD REF. DES. R9</td> <td>12-22-77</td> <td>JRH</td> </tr> </tbody> </table>								LYR	DESCRIPTION	DATE	APPROVED	A	INITIAL RELEASE	1-30-77	JRH	B	ECP 1076C430-3, REV A ITEMS 29 & 77 PART NOS CHANGED, ITEM 38 ADDED ALC CHART UPDATED.	1-11-77	JRH	C	ECP1276C512-34 REV. O Rev level control chart info. transferred to DWG 1570115, Chg. Title all sheets & Items 1, 3, & 4.	1-20-77	JRH	D	ECP0177C001-3 REV O, REV 1 ITEMS 48, 64 & DELETE 66	2-9-77	JRH	E	ECP0177C029-3 REV O, REV 1 DELETE GRR-902 ITEM 3 & 41	2-18-77	JRH	F	ECP 0177C048-4, REV O ADD ITEM #66	3-7-77	JRH	G	ECP0177C029-4 REV A, REV 1 ITEM 58, 73, 76 & 84	5-3-77	JRH	H	ECP 0777C383-3, ADDED ITEM 69 & 82 CHANGED	12-14-77	JRH	J	ECP 1177C661-3 ITEM 76 CHANGE QTY. RQD. & ADD REF. DES. C 25, ITEM #83 CHANGE QTY. RQD. & ADD REF. DES. R9	12-22-77	JRH
LYR	DESCRIPTION	DATE	APPROVED																																												
A	INITIAL RELEASE	1-30-77	JRH																																												
B	ECP 1076C430-3, REV A ITEMS 29 & 77 PART NOS CHANGED, ITEM 38 ADDED ALC CHART UPDATED.	1-11-77	JRH																																												
C	ECP1276C512-34 REV. O Rev level control chart info. transferred to DWG 1570115, Chg. Title all sheets & Items 1, 3, & 4.	1-20-77	JRH																																												
D	ECP0177C001-3 REV O, REV 1 ITEMS 48, 64 & DELETE 66	2-9-77	JRH																																												
E	ECP0177C029-3 REV O, REV 1 DELETE GRR-902 ITEM 3 & 41	2-18-77	JRH																																												
F	ECP 0177C048-4, REV O ADD ITEM #66	3-7-77	JRH																																												
G	ECP0177C029-4 REV A, REV 1 ITEM 58, 73, 76 & 84	5-3-77	JRH																																												
H	ECP 0777C383-3, ADDED ITEM 69 & 82 CHANGED	12-14-77	JRH																																												
J	ECP 1177C661-3 ITEM 76 CHANGE QTY. RQD. & ADD REF. DES. C 25, ITEM #83 CHANGE QTY. RQD. & ADD REF. DES. R9	12-22-77	JRH																																												

PARTS LIST		HARRIS COMPUTER SYSTEMS DIVISION		CONTRACT NO.	CODE IDENT.	1510115	REVISION
TITLE: P.C. ASSEMBLY, OPTION BOARD				AUTHENTICATION	REV AUTH. NO.	SHEET 3	OF 4
ITEM NO.	QTY. RQD.	CODE IDENT.	HARRIS REFERENCE NO.	PART NUMBER	REFERENCE DESIGNATION	DESCRIPTION	
39	3	901		6410001-031	U2, U29, U53	INTEGRATED CIRCUIT (8198)	
40	4			6410000-091	U3, U38, U45, U48	INTEGRATED CIRCUIT (74508)	
41	4			6410000-196	U5, U7, U9, U54	INTEGRATED CIRCUIT (745241)	
42	4			6410000-196	U56, U58, U69, U78	(745241)	
43	4			6410000-216	U5, U8, U10, U41	(745138)	
44	2			6410000-216	U50, U51	(745138)	
45	1			6410000-207	U11, U70	(741500)	
46	3			6410000-192	U12	(74393)	
47	4			6410000-086	U13, U37, U76	(74500)	
48	2			6410000-104	U14, U20, U21, U34	(74574)	
49	1			6410000-104	U82, U49	(74574)	
50	2			6410000-089	U15, U62	(74504)	
51	1			6410000-213	U17	(741532)	
52	2			6410000-212	U18, U36	(741527)	
53	4			6410000-214	U22, U23, U47, U71	(741574)	
54	2			4710008-003	U24, U39	INTEGRATED CIRCUIT (741508)	
55	2			4710008-003	R21, R225, R230	RESISTOR NETWORK (DIL)	
56	1			4710008-003	R281	RESISTOR NETWORK (DIL)	
57	1			6410000-035	U26, U28	INTEGRATED CIRCUIT (74148)	
58	1			6410000-225	U27	(741530)	
59	1			6410000-085	U33	(741574)	
60	1			6410000-093	U43	(74511)	
61	1			6410000-110	U42	(745138)	
62	1			6410000-097	U44	(74532)	
63	4			6410000-223	U46	(7415221)	
64	2			6410000-198	U52, U80	(74583)	
65	4			6410000-195	U55, U57, U59, U63	(745240)	
66	4			6410000-195	U64, U68, U73, U74	(745240)	
67	2			6410000-195	U75, U77	(745240)	
68	1			6410000-092	U60	(74510)	
69	1			6410000-025	U61	(74520)	
70	1			6410000-101	U16	(74551)	
71	1			6410000-098	U67	(74537)	
72	1			6410000-100	U72	INTEGRATED CIRCUIT (74540)	

PARTS LIST		HARRIS COMPUTER SYSTEMS DIVISION		CONTRACT NO.	CODE IDENT.	1510115	REVISION
TITLE: P.C. ASSEMBLY, OPTION BOARD				AUTHENTICATION	REV AUTH. NO.	SHEET 2	OF 4
ITEM NO.	QTY. RQD.	CODE IDENT.	HARRIS REFERENCE NO.	PART NUMBER	REFERENCE DESIGNATION	DESCRIPTION	
1	1	X		THIS DWG.		P.C. ASSY., OPTION BOARD	
2							
3							
4	1	X		1570115		P.C. ASSY., OPTION BOARD, (REF. DWG.)	
5	1			7070115-001		DRILL & DIM., OPTION BOARD	
6	5			A49020-001		NUT, CARD	
7	1			3210112-001		BRACKET GUIDE, P.C.	
8	1			1230102-902		STIFFENER ASSY.	
9	1			3610007-001		STIFFENER, P.C. BOARD, FR-4	
10	5			2810011-101		EYELET, FLAT FLANGE, .692 LONG	
11	4			2810011-002		EYELET, ROLLED FLANGE, .375 LONG	
12	2			2810011-003		EYELET, ROLLED FLANGE, .187 LONG	
13	5			2810007-306		RIVET, TUBULAR, 5/16 LONG	
14							
15	1			2110004-004	J4 (REF)	CONN., SGLE ROW, RT. ANGLE POST, 4 PIN	
16	1			2115010-017	J5 (REF)	HEADER, DOUBLE ROW, 34 POS.	
17	2			2115005-001	J6, J7 (REF)	HEADER, SGLE ROW, .025 SQ. POST, 1 PIN	
18	2			2115005-005	J6, J7 (REF)	HEADER, SGLE ROW, .025 SQ. POST, 5 PIN	
19	2			2115005-006	J6, J7 (REF)	HEADER, SGLE ROW, .025 SQ. POST, 6 PIN	
20	2			2115005-008	J9 (REF)	HEADER, SGLE ROW, .025 SQ. POST, 8 PIN	
21	3			2115005-009	J6, J7, J9 (REF)	HEADER, SGLE ROW, .025 SQ. POST, 9 PIN	
22	4			2115005-010	J6, J7 (REF)	HEADER, SGLE ROW, .025 SQ. POST, 10 PIN	
23	6			2115005-012	J6, J7 (REF)	HEADER, SGLE ROW, .025 SQ. POST, 12 PIN	
24	3			2115005-017	J8, J9 (REF)	HEADER, SGLE ROW, .025 SQ. POST, 17 PIN	
25	1			2115005-019	J9 (REF)	HEADER, SGLE ROW, .025 SQ. POST, 19 PIN	
26	2			2115005-022	J10 (REF)	HEADER, SGLE ROW, .025 SQ. POST, 22 PIN	
27	2			2115005-024	J10 (REF)	HEADER, SGLE ROW, .025 SQ. POST, 24 PIN	
28	1			2115005-027	J9 (REF)	HEADER, SGLE ROW, .025 SQ. POST, 27 PIN	
29	1			2115005-029	J8 (REF)	HEADER, SGLE ROW, .025 SQ. POST, 29 PIN	
30	2			2115005-030	J8, J9 (REF)	HEADER, SGLE ROW, .025 SQ. POST, 30 PIN	
31	1			2210103-003	W1 THRU W4	TERMINAL PIN	
32	1			3230116-012		BUS BAR, MODIFIED	
33	2			3230116-013		BUS BAR, MODIFIED	
34	1			3230116-016		BUS BAR, MODIFIED	
35							
36							
37	1			2110011-002	Y4	INTEGRATED CIRCUIT, DIP SOCKET 14 PIN	

PARTS LIST		HARRIS COMPUTER SYSTEMS DIVISION		CONTRACT NO.	CODE IDENT.	1510115	REVISION
TITLE: P.C. ASSEMBLY, OPTION BOARD				AUTHENTICATION	REV AUTH. NO.	SHEET 4	OF 4
ITEM NO.	QTY. RQD.	CODE IDENT.	HARRIS REFERENCE NO.	PART NUMBER	REFERENCE DESIGNATION	DESCRIPTION	
69	1	901		6410000-026	U65	INTEGRATED CIRCUIT (7474)	
70							
71							
72							
73							
74							
75	1			4210024-001	C1	CAP., CERAMIC DISC, 100pf, ±10%, 1KV	
76	12			4210001-353	C2 THRU C13	CAP., CERAMIC, 0.1MFD, ±20%, 50V	
77	10			4210001-353	C15 THRU C23, C25	CAP., CERAMIC, 0.1MFD, ±20%, 50V	
78	2			4210003-233	C14, C24	CAP., TANT. ELECT., 100MFD, ±20%, 15V	
79							
80							
81							
82	2			4710501-050	R1, R9	RESISTOR, 100 OHMS ±5%, 1/4W	
83	4			4710501-159	R2, R3, R4, R5	RESISTOR, 1K, ±5%, 1/4W	
84	3			4710501-159	R7, R8, R9	RESISTOR, 1K, ±5%, 1/4W	
85	1			4710501-185	R6	RESISTOR, 10K, ±5%, 1/4W	
86							
87							
88							
89							
90	1FT			6010108-008		WIRE, TEFZEL INSUL., SOLID WHITE, #30AWG	
91							
92							
93							
94							
95	X			0920115		LOGIC DIAGRAM	

PARTS LIST		HARRIS COMPUTER SYSTEMS DIVISION		CONTRACT NO.	CODE IDENT.	1510117	REVISION	E
TITLE				AUTHENTICATION	REV. AUTH. NO.	SHEET 1	OF 3	
P.C. ASSY., PROGRAM RESTRICT				<i>[Signature]</i>				
REVISIONS								
LTR	DESCRIPTION	DATE	APPROVED					
A	Initial Release	7-28-71	<i>[Signature]</i>					
B	ECPO76C308-1 REV. O. REV ITEM 40 FROM STRND 28 GA. TO SOLID, 24 GA.	11-10-71	<i>[Signature]</i>					
C	ECPO76C432-3 REV O. REV UPDATE RLC CHART	11-11-71	<i>[Signature]</i>					
D	ECPI176C457-2	11-27-71	<i>[Signature]</i>					
E	ECPI276C512-34 REV O. REV LEVEL CONT. CHART INFO. TRANS. TO DWG 1550117. CHG DWG TITLE ALL SHTS & ITEMS 1 AND 4.	1-20-77	<i>[Signature]</i>					

THIS SHEET SHALL BE USED AS TITLE SHEET FOR RECORDING OF REVISIONS.

PARTS LIST		HARRIS COMPUTER SYSTEMS DIVISION		CONTRACT NO.	CODE IDENT.	1510117	REVISION	E
TITLE				AUTHENTICATION	REV. AUTH. NO.	SHEET 3	OF 3	
P.C. ASSY., PROGRAM RESTRICT								
ITEM NO.	QTY	RQD	CODE IDENT.	HARRIS REFERENCE NO.	PART NUMBER	REFERENCE DESIGNATION	DESCRIPTION	
35			901		6410000-198	U33, U34, U38, U39	INTEGRATED CIRCUIT (74585)	
36					6410000-198	U42, U43, U47, U48	INTEGRATED CIRCUIT (74585)	
37					6410000-198	U54, U55	INTEGRATED CIRCUIT (74585)	
38					4210001-227	C1 THRU C22	CAPACITOR, CERAMIC, .01MFD, ±20%, 50V	
40					6010116-104		WIRE, IPVC INSUL., RED, SOLID, #24AWG	
45			X		0970117		LOGIC DIAGRAM	

PARTS LIST		HARRIS COMPUTER SYSTEMS DIVISION		CONTRACT NO.	CODE IDENT.	1510119	REVISION	C
TITLE				AUTHENTICATION	REV. AUTH. NO.	SHEET 2	OF 2	
P. C. ASSEMBLY PRIORITY INTERRUPT - 8 LEVEL								
ITEM NO.	QTY	RQD	CODE IDENT.	HARRIS REFERENCE NO.	PART NUMBER	REFERENCE DESIGNATION	DESCRIPTION	
1			901				THIS DWG.	
2			X				P.C. ASSY., 8 LEVEL PRIORITY INTERRUPT	
3					1550119		P.C. ASSY., 8 LEVEL PRIORITY INT. (REF. DWG)	
4					7070119-001		DRILL & DIM., 8 LEVEL PRIORITY INT.	
5					2130001-001		RECEPTACLE, BOARD MOUNT	
6					3230116-005		BUS BAR, MODIFIED	
7					3230116-009		BUS BAR, MODIFIED	
8					6410000-192	U1, U5, U6, U7, U8	INTEGRATED CIRCUIT (745240)	
9					6410000-202	U2, U24	INTEGRATED CIRCUIT (74148)	
10					6410000-207	U3, U4, U30, U31	INTEGRATED CIRCUIT (741500)	
11					6410000-207	U34, U35, U38, U39	INTEGRATED CIRCUIT (741500)	
12					6410000-214	U9, U10, U21, U22	INTEGRATED CIRCUIT (741874)	
13					4210007-002	R211	RESISTOR NETWORK, (DIL)	
14					6410000-173	U13, U32, U33	INTEGRATED CIRCUIT (74273)	
15					6410000-213	U14, U15, U16	INTEGRATED CIRCUIT (741810)	
16					6410000-216	U17, U18	INTEGRATED CIRCUIT (741818)	
17					6410000-210	U19, U20	INTEGRATED CIRCUIT (741508)	
18					6410000-196	U23	INTEGRATED CIRCUIT (745241)	
19					6410000-198	U25	INTEGRATED CIRCUIT (74585)	
20					6410000-209	U26, U27	INTEGRATED CIRCUIT (741804)	
21					6410000-213	U28	INTEGRATED CIRCUIT (741832)	
22					6410000-203	U29, U37	INTEGRATED CIRCUIT (74376)	
23								
24					4210001-227	C1 THRU C7	CAPACITOR, CERAMIC, .01MFD, ±20%, 50V	
25					4210001-227	C16 THRU C24	CAPACITOR, CERAMIC, .01MFD, ±20%, 50V	
26					4210000-016	C8 THRU C15	CAPACITOR, CERAMIC, 100 pF, ±10%, 100V	
27								
28					4710501-159	RT THRU R9	RESISTOR, 1K, ±5%, 1/4W	
29								
30								
31					6010116-104		WIRE, IPVC INSUL SOLID RED, #24AWG	
32								
33								
34					0970117		LOGIC DIAGRAM	
35								
36								

PARTS LIST		HARRIS COMPUTER SYSTEMS DIVISION		CONTRACT NO.	CODE IDENT.	1510117	REVISION	E
TITLE				AUTHENTICATION	REV. AUTH. NO.	SHEET 2	OF 3	
P.C. ASSY., PROGRAM RESTRICT								
ITEM NO.	QTY	RQD	CODE IDENT.	HARRIS REFERENCE NO.	PART NUMBER	REFERENCE DESIGNATION	DESCRIPTION	
1			901				THIS DWG.	
2			X				P.C. ASSY., PROGRAM RESTRICT	
3								
4			X		1550117		P.C. ASSY., PROGRAM RESTRICT (Ref. Dwg.)	
5					7070117-001		DRILL & DIM., PROGRAM RESTRICT	
6			127		2130001-001		RECEPTACLE, BOARD MOUNT	
7					3230116-004		BUS BAR, MODIFIED	
8					3230116-006		BUS BAR, MODIFIED	
9					3230116-007		BUS BAR, MODIFIED	
10					3230116-008		BUS BAR, MODIFIED	
11								
12								
13								
14								
15					6410000-086	U30	INTEGRATED CIRCUIT (74530)	
16					6410000-059	U1	INTEGRATED CIRCUIT (741804)	
17					6410000-043	U2	INTEGRATED CIRCUIT (74111)	
18					6410000-086	U3, U22, U28	INTEGRATED CIRCUIT (74500)	
19					6410000-057	U4, U25	INTEGRATED CIRCUIT (74100)	
20					6410000-098	U5	INTEGRATED CIRCUIT (74537)	
21					6410000-091	U6, U11, U14, U19	INTEGRATED CIRCUIT (74508)	
22					6410000-078	U7	INTEGRATED CIRCUIT (74174)	
23					6410000-104	U8, U20, U24, U29	INTEGRATED CIRCUIT (74574)	
24					6410000-095	U9	INTEGRATED CIRCUIT (74520)	
25					6410000-092	U10, U27, U35	INTEGRATED CIRCUIT (74510)	
26					6410000-089	U12	INTEGRATED CIRCUIT (74504)	
27					6410000-002	U13, U18	INTEGRATED CIRCUIT (7402)	
28					6410000-107	U15	INTEGRATED CIRCUIT (745113)	
29					6410000-097	U16	INTEGRATED CIRCUIT (74532)	
30					6410000-100	U17	INTEGRATED CIRCUIT (74540)	
31					6410000-093	U21	INTEGRATED CIRCUIT (74511)	
32					6410000-101	U23	INTEGRATED CIRCUIT (74551)	
33					6410001-031	U26, U32, U37, U41	INTEGRATED CIRCUIT (8198)	
34					6410001-031	U46, U51, U53	INTEGRATED CIRCUIT (8198)	
					6410000-045	U31, U36, U40, U45	INTEGRATED CIRCUIT (74174)	
					6410000-045	U50, U52	INTEGRATED CIRCUIT (74174)	

PARTS LIST		HARRIS COMPUTER SYSTEMS DIVISION		CONTRACT NO.	CODE IDENT.	1510119	REVISION	C
TITLE				AUTHENTICATION	REV. AUTH. NO.	SHEET 1	OF 2	
P. C. ASSEMBLY PRIORITY INTERRUPT - 8 LEVEL								
REVISIONS								
LTR	DESCRIPTION	DATE	APPROVED					
A	INITIAL RELEASE	10/25/76	<i>[Signature]</i>					
B	ECPO76C309-2, REV O. REV ITEM 31, WAS STRD #24 GA NOW SOLID 26 GA	8-10-76	<i>[Signature]</i>					
C	ECPI276C512-34 REV O. REV LEVEL CONT. CHART INFO. TRANS. TO DWG 1550119. CHG DWG TITLE ALL SHTS AND ITEMS 1 AND 4.	1-20-77	<i>[Signature]</i>					

THIS SHEET SHALL BE USED AS TITLE SHEET FOR RECORDING OF REVISIONS.

PARTS LIST		HARRIS COMPUTER SYSTEMS DIVISION		CONTRACT NO.	CODE IDENT.	1510120	REVISION
TITLE: P.C. ASSEMBLY, ADDRESS TRAP				29436			D
AUTHENTICATION				REV. AUTH. NO.			SHEET 1 OF 2
REVISIONS							
LTR	DESCRIPTION	DATE	APPROVED				
A	Initial Release	7-16-78	[Signature]				
B	ECPI076C310 REV 0, REV ITEM 32 FROM STD. #28 AWG TO SOLID #24 AWG	8-16-78	[Signature]				
C	ECPI076C441-2	11-22-78	[Signature]				
D	ECPI276C512-34 REV 0, REV LEVEL CONT. CHART INFO. TRANS TO DWG 1550120, CHG DWG TITLE ALL SHTS & ITEM 164	1-20-79	[Signature]				

THIS SHEET SHALL BE USED AS TITLE SHEET FOR RECORDING OF REVISIONS.

PARTS LIST		HARRIS COMPUTER SYSTEMS DIVISION		CONTRACT NO.	CODE IDENT.	1510125	REVISION
TITLE: P.C. ASSEMBLY PROGRAMMERS CONTROL PANEL				29436			E
AUTHENTICATION				REV. AUTH. NO.			SHEET 1 OF 3
REVISIONS							
LTR	DESCRIPTION	DATE	APPROVED				
A	ECPI0676C225-4 REV. B CORRECT ITEMS #27 & 29	6-10-78	[Signature]				
B	ECPI076C404-1 REV 0 CHANGED ITEMS 6 & 27. ADDED ITEM 29 UPDATED RLS CHART 4-11-78	11-11-78	[Signature]				
C	ECPI276C512-34 REV 0, REV LEVEL CONT. CHART INFO. TRANS TO DWG 1570125, CHG TITLE ALL SHTS & ITEMS 1, 2, 4	1-23-79	[Signature]				
D	ECPI076C352 REV 0 ADD ITEM 11	5-10-79	[Signature]				
E	ECPI077C567-2 ITEM 12 ADDED	11-2-79	[Signature]				

THIS SHEET SHALL BE USED AS TITLE SHEET FOR RECORDING OF REVISIONS.

PARTS LIST		HARRIS COMPUTER SYSTEMS DIVISION		CONTRACT NO.	CODE IDENT.	1510125	REVISION
TITLE: P.C. ASSEMBLY, PROGRAMMERS CONTROL PANEL				29436			E
AUTHENTICATION				REV. AUTH. NO.			SHEET 3 OF 3
ITEM NO.	QTY.	RQD.	CODE IDENT.	HARRIS REFERENCE NO.	PART NUMBER	REFERENCE DESIGNATION	DESCRIPTION
37	5	-			4710502-132	R1, R3, R5, R7, R9	RESISTOR, 75 OHM, 1/2W, ±5%
	4	-			4710502-132	R11, R13, R15, R17	
	4	-			4710502-132	R19, R21, R23, R25	
	4	-			4710502-132	R27, R29, R31, R33	
	4	-			4710502-132	R35, R37, R39, R41	
	3	-			4710502-132	R43, R45, R47	
	-	5			4710502-132	R2, R4, R6, R8, R10	
	-	4			4710502-132	R12, R14, R16, R18	
	-	4			4710502-132	R20, R22, R24, R26	
	-	4			4710502-132	R28, R30, R32, R34	
	-	4			4710502-132	R36, R38, R40, R42	
39	25	25			4710502-132	R44, R46, R48	RESISTOR, 75 OHM, 1/2W, ±5%
40					4710501-159	R49 THRU R77	RESISTOR, 1K, 1/4W, ±5%
41							
42							
43							
44	5	5			5110000-111	S1, S2, S3, S7, S8	SWITCH, TOGGLE, SPDT, DARK GRAY
	4	4			5110000-111	S9, S13, S14, S15	SWITCH, TOGGLE, SPDT, DARK GRAY
	3	3			5110000-111	S19, S20, S21	SWITCH, TOGGLE, SPDT, DARK GRAY
	5	5			5110000-110	S4, S5, S6, S10, S11	SWITCH, TOGGLE, SPDT, LIGHT GRAY
45	4	4			5110000-110	S12, S16, S17, S18	SWITCH, TOGGLE, SPDT, LIGHT GRAY
	3	3			5110000-110	S22, S23, S24	SWITCH, TOGGLE, SPDT, LIGHT GRAY
46	3	3			5110000-102	S25, S34, S36	SWITCH, TOGGLE, DPDT, DARK GRAY
	3	3			5110000-103	S26, S27, S28	SWITCH, TOGGLE, SPDT, LIGHT GRAY
47	2	2			5110000-103	S29, S30	SWITCH, TOGGLE, SPDT, LIGHT GRAY
	3	3			5110000-104	S31, S32, S33	SWITCH, TOGGLE, SPDT, DARK GRAY
49	2	2			5110000-101	S35, S37	SWITCH, TOGGLE, DPDT, LIGHT GRAY
50	1	1			5110000-105	S38	SWITCH, TOGGLE, DPDT, RED
51							
52							
53							
54							
55							
56	X	X			0970120		LOGIC DIAGRAM

PARTS LIST		HARRIS COMPUTER SYSTEMS DIVISION		CONTRACT NO.	CODE IDENT.	1510120	REVISION
TITLE: P.C. ASSEMBLY, ADDRESS TRAP				29436			D
AUTHENTICATION				REV. AUTH. NO.			SHEET 2 OF 2
ITEM NO.	QTY.	RQD.	CODE IDENT.	HARRIS REFERENCE NO.	PART NUMBER	REFERENCE DESIGNATION	DESCRIPTION
1			901				THIS DWG.
2			X				P.C. ASSY., ADDRESS TRAP
3							
4					1550120		P.C. ASSY., ADDRESS TRAP (REF. DWG.)
5			X		7070120-001		DRILL & DIM., ADDRESS TRAP
6					2130001-001	P1 (REF)	RECEPTACLE, BOARD MOUNT
7			94		3230116-015		BUS BAR, MODIFIED
8			4				
9							
10					6410000-104	U3, U12	INTEGRATED CIRCUIT (74574)
11			2		6410000-091	U6	(74508)
12			1		6410000-093	U7, U13	(74511)
13			2		6410000-089	U8	(74504)
14			1		6410000-095	U9	(74520)
15			1		6410000-097	U2, U10	(74552)
16			2		6410000-087	U11	(74502)
17			3		6410000-046	U15, U18, U21	(74175)
18			2		6410000-046	U24, U27	(74175)
19			4		6410001-032	U14, U17, U23, U29	(8157)
20			1		6410000-105	U16, U19, U22, U25	(74586)
21			1		6410000-105	U28	(74586)
22			2		6410000-096	U20, U26	(74530)
23			1		6410000-086	U5	INTEGRATED CIRCUIT (74500)
24							
25			11		4210001-227	C1 THRU C11	CAPACITOR, CERAMIC, .01 MFD, ±20%, 50V
26							
27							
28			1		4710501-159	R1	RESISTOR, 1K, ±5%, 1/4W
29							
30							
31							
32							
33			1 FT.		6010116-104		WIRE, TPVC INSUL., RED, SOLID, #24AWG
34							
35			X		0970120		LOGIC DIAGRAM
36							

PARTS LIST		HARRIS COMPUTER SYSTEMS DIVISION		CONTRACT NO.	CODE IDENT.	1510125	REVISION
TITLE: P.C. ASSEMBLY PROGRAMMERS CONTROL PANEL				29436			E
AUTHENTICATION				REV. AUTH. NO.			SHEET 2 OF 3
ITEM NO.	QTY.	RQD.	CODE IDENT.	HARRIS REFERENCE NO.	PART NUMBER	REFERENCE DESIGNATION	DESCRIPTION
1			902				THIS DWG.
2			X				P.C. ASSY., PROG. CONTROL PANEL
3							P.C. ASSY., PROG. CONTROL PANEL
4			X		1570125		P.C. ASSY., PROG. CONT. PANEL REF. DWG.
5			1		7070125-001		DRILL & DIM., PROG. CONTROL PANEL
6			1		1230109-901		ASSEMBLY SWITCH MOUNTING
7			1		3230107-001		PLATE, LAMP MOUNTING
8			1		2110004-102	J3	HEADER, RT. ANGLE, SINGLE ROW, 2 POS.
9			1		2110004-103	J2	HEADER, RT. ANGLE, SINGLE ROW, 3 POS.
10			2		2115010-025	J1, J4	HEADER, STRAIGHT, DOUBLE ROW, 50 POS.
11			2		2810206-001		CLAMP, FLAT, CABLE
12			2 IN		3710013-202		TAPE, FORM, DOUBLE COATED (1" X 130)
13			10		2810128-104		SCREW, PAN HD., PHIL., #6-32 X 5/16
14			10		2810101-005		WASHER, FLAT, #6
15			10		2810102-002		WASHER, INT. TOOTH LOCK, #6
16			3		3110005-122		STANDOFF, 1/4 ROUND, #6-32 X 5/8
17			5		2115012-001	J5, J6, J7, J8, J9	TERMINAL, FASTON (110 SERIES)
18			76		2810009-001		EYELET, SHOULDER
19			76		2810009-002		EYELET, SHOULDER
20			24		3110007-001		MOUNTING, LED (BUSHING)
21							
22							
23							
24			4		6410000-012	U11 THRU U14	INTEGRATED CIRCUIT (7417)
25			2		6410000-002	U5, U8	(7402)
26			2		6410000-017	U6, U7	(7432)
27			1		6410000-001	U9	(7400)
28			3		6410000-207	U10, U11, U13	INTEGRATED CIRCUIT (741500)
29			1		6410000-003	U12	INTEGRATED CIRCUIT (7403)
30							
31			24		3910101-001	D51 THRU D524	DIODE, LIGHT EMITTING, RED
32							
33			4		4210001-353	C1 THRU C4	CAPACITOR, 0.1 MFD, 50V, ±20%
			4		4210001-353	C4 THRU C9	CAPACITOR, 0.1 MFD, 50V, ±20%
			3		4210001-353	C11, C12, C13	CAPACITOR, 0.1 MFD, 50V, ±20%
34			1		4210003-233	C5	CAPACITOR, 100 MFD, 15V, ±20%
35			2		4210019-241	C10, C14	CAPACITOR, 10 MFD, 20V, ±20%
36							

PARTS LIST		HARRIS COMPUTER SYSTEMS DIVISION		CONTRACT NO.	CODE IDENT.	1510129	REVISION																												
TITLE: P. C. ASSEMBLY, EXTENDER BOARD				AUTHENTICATION: 2-21-78 E.J. 1/30/78 WMT 10/17/78		SHEET 1 OF 2																													
<p>THIS SHEET SHALL BE USED AS TITLE SHEET FOR RECORDING OF REVISIONS.</p> <table border="1"> <thead> <tr> <th>LTR</th> <th>DESCRIPTION</th> <th>DATE</th> <th>APPROVED</th> </tr> </thead> <tbody> <tr> <td>A</td> <td>INITIAL RELEASE</td> <td>10-1-74</td> <td>JRH</td> </tr> <tr> <td>B</td> <td>ECP1076C440-1 REV O UPDATE RLC CHART #2</td> <td>11-8-74</td> <td>JRH</td> </tr> <tr> <td>C</td> <td>ECP1276C512-34, Rev. O, Rev level cont. chart information trans. to dwg 1570129, Chg Title all sheets & Item 1</td> <td>11-18-77</td> <td>JRH</td> </tr> <tr> <td>D</td> <td>ECP0477C229-4 Add Items #11 & #12 to Parts List</td> <td>11/11/77</td> <td>JRH</td> </tr> <tr> <td>E</td> <td>ECP 1071C546-2 ADDED ITEM 12</td> <td>11/11/77</td> <td>JRH</td> </tr> <tr> <td>F</td> <td>ECP1077C555-2 DELETE ITEM 10</td> <td>11-18-77</td> <td>JRH</td> </tr> </tbody> </table>								LTR	DESCRIPTION	DATE	APPROVED	A	INITIAL RELEASE	10-1-74	JRH	B	ECP1076C440-1 REV O UPDATE RLC CHART #2	11-8-74	JRH	C	ECP1276C512-34, Rev. O, Rev level cont. chart information trans. to dwg 1570129, Chg Title all sheets & Item 1	11-18-77	JRH	D	ECP0477C229-4 Add Items #11 & #12 to Parts List	11/11/77	JRH	E	ECP 1071C546-2 ADDED ITEM 12	11/11/77	JRH	F	ECP1077C555-2 DELETE ITEM 10	11-18-77	JRH
LTR	DESCRIPTION	DATE	APPROVED																																
A	INITIAL RELEASE	10-1-74	JRH																																
B	ECP1076C440-1 REV O UPDATE RLC CHART #2	11-8-74	JRH																																
C	ECP1276C512-34, Rev. O, Rev level cont. chart information trans. to dwg 1570129, Chg Title all sheets & Item 1	11-18-77	JRH																																
D	ECP0477C229-4 Add Items #11 & #12 to Parts List	11/11/77	JRH																																
E	ECP 1071C546-2 ADDED ITEM 12	11/11/77	JRH																																
F	ECP1077C555-2 DELETE ITEM 10	11-18-77	JRH																																

PARTS LIST		HARRIS COMPUTER SYSTEMS DIVISION		CONTRACT NO.	CODE IDENT.	1510146	REVISION												
TITLE: COMPONENT ASSY., PRIORITY INTERRUPT TERMINATOR				AUTHENTICATION: 2/20/78 WMT 10/17/78		SHEET 1 OF 4													
<p>THIS SHEET SHALL BE USED AS TITLE SHEET FOR RECORDING OF REVISIONS.</p> <table border="1"> <thead> <tr> <th>LTR</th> <th>DESCRIPTION</th> <th>DATE</th> <th>APPROVED</th> </tr> </thead> <tbody> <tr> <td>A</td> <td>ECP0876C349-8, Rev. O Update RLC Chart, change Qty. Item #26 (add 1 res.)</td> <td>10/6/78</td> <td>JRH</td> </tr> <tr> <td>B</td> <td>ECP1276C520-3 UPDATE RLC CHART 1-14-77</td> <td>1/18/77</td> <td>JRH</td> </tr> </tbody> </table>								LTR	DESCRIPTION	DATE	APPROVED	A	ECP0876C349-8, Rev. O Update RLC Chart, change Qty. Item #26 (add 1 res.)	10/6/78	JRH	B	ECP1276C520-3 UPDATE RLC CHART 1-14-77	1/18/77	JRH
LTR	DESCRIPTION	DATE	APPROVED																
A	ECP0876C349-8, Rev. O Update RLC Chart, change Qty. Item #26 (add 1 res.)	10/6/78	JRH																
B	ECP1276C520-3 UPDATE RLC CHART 1-14-77	1/18/77	JRH																

PARTS LIST		HARRIS COMPUTER SYSTEMS DIVISION		CONTRACT NO.	CODE IDENT.	1510146	REVISION
TITLE: COMPONENT ASSY., PRIORITY INTERRUPT TERMINATOR				AUTHENTICATION		SHEET 3 OF 4	
ITEM NO.	QTY	RQD	CODE IDENT	HARRIS REFERENCE NO.	PART NUMBER	REFERENCE DESIGNATION	DESCRIPTION
29			901				
30		3 FT			6010116-104		WIRE, IPVC INSUL., RED, SOLID, #24 AWG
31							
32							
33							
34							
35							
36							
37							
38	X	X			0970039		LOGIC DIAGRAM

PARTS LIST		HARRIS COMPUTER SYSTEMS DIVISION		CONTRACT NO.	CODE IDENT.	1510129	REVISION
TITLE: P. C. ASSEMBLY, EXTENDER BOARD				AUTHENTICATION		SHEET 2 OF 2	
ITEM NO.	QTY	RQD	CODE IDENT	HARRIS REFERENCE NO.	PART NUMBER	REFERENCE DESIGNATION	DESCRIPTION
1			901		1570129		P. C. ASSY., EXTENDER BOARD, (REF. DWG.)
2							
3							
4	1				7070129-001		DRILL & DIM., EXTENDER BOARD
5	1				3210112-001		BRACKET GUIDE, P. C.
6	2				2810011-003		EYELET, ROLLED FLANGE, .187 LONG
7	2				2110017-015	J1, J2	CONNECTOR, RIGHT ANGLE, .125 CTRS
8							
9							
10					6010118-001		WIRE, IPVC, TW. PR., PVC JKT., BLK/RED, #28AWG
11	1				1230109-901		BOARD SUPPORT BRACKET ASSY
12	1				2810009-002		.118 DIA. X .567 L. EYELET
13		2 FT			6010116-104		WIRE IPVC INSUL., SOLID RED, #24 AWG.

PARTS LIST		HARRIS COMPUTER SYSTEMS DIVISION		CONTRACT NO.	CODE IDENT.	1510146	REVISION
TITLE: COMPONENT ASSY., PRIORITY INTERRUPT TERMINATOR				AUTHENTICATION		SHEET 2 OF 4	
ITEM NO.	QTY	RQD	CODE IDENT	HARRIS REFERENCE NO.	PART NUMBER	REFERENCE DESIGNATION	DESCRIPTION
1							THIS DWG.
2							THIS DWG.
3							
4	X	X			1550146		COMP. ASSY., PRIORITY INT. TERM. (REF. DWG.)
5	1	1			7070146-001		DRILL & DIM., PRIORITY INTERRUPT TERM.
6							
7	4				2115012-001	J2 THRU J5 (REF)	TERMINAL, FASTON, (110 SERIES)
8	1	1			2115010-025	J1 (REF)	HEADER, STRAIGHT, DOUBLE ROW, 50 POS.
9	2	2			2110003-036	J6 (REF)	CONNECTOR, RIGHT ANGLE, DBL. ROW, 72POS
10							
11							
12							
13	2				4710007-002	R21, R22	RESISTOR NETWORK, (DIL)
14	4				6410001-009	U3, U4, U6, U7	INTEGRATED CIRCUIT (8T13)
15	4				6410001-009	U8, U9, U11, U12	INTEGRATED CIRCUIT (8T13)
16	4				6410001-002	U13, U14, U16, U17	INTEGRATED CIRCUIT (8T13)
17	3				6410000-196	U5, U10, U15	INTEGRATED CIRCUIT (745241)
18	3				5110104-007	S18, S19, S20	SWITCH NETWORK, (DIL)
19							
20							
21	4				4210001-353	C1, C2, C3, C4	CAPACITOR, CERAMIC 0.1 MFD, ±20%, 50V
22	3				4210001-353	C5, C6, C7	CAPACITOR, CERAMIC 0.1 MFD, ±20%, 50V
23	1				4210000-433	C8	CAPACITOR, TANT. ELECTR., 100 MFD, ±20%, 15V
24	24				4210024-001	C9 THRU C32	CAPACITOR, CERAMIC DISC, 100 pf, ±10%, 1KV
25							
26	5				4710501-159	R1, R2, R3, R4, R49	RESISTOR, 1K, ±5%, 1/4W
27	4				4710501-159	R13, R14, R15, R16	RESISTOR, 1K, ±5%, 1/4W
28	4				4710501-159	R17, R18, R19, R20	RESISTOR, 1K, ±5%, 1/4W
29	4				4710501-159	R29, R30, R31, R32	RESISTOR, 1K, ±5%, 1/4W
30	4				4710501-159	R33, R34, R35, R36	RESISTOR, 1K, ±5%, 1/4W
31	4				4710501-159	R45, R46, R47, R48	RESISTOR, 1K, ±5%, 1/4W
32	8				4710501-135	R5 THRU R12	RESISTOR, 100 OHM, ±5%, 1/4W
33	8				4710501-135	R21 THRU R28	RESISTOR, 100 OHM, ±5%, 1/4W
34	8				4710501-135	R37 THRU R44	RESISTOR, 100 OHM, ±5%, 1/4W

REVISION LEVEL CONTROL CHART			
APPLICABLE ASSY DASH NO.	901		
USABLE MARKING LEVEL	-	A	B
DWG. NO.	TITLE	USABLE DRAWING REVISION	
This Dwg.	Assembly	-	A
1550146	Comp. Assy., (Ref. Dwg.)	-	A
7070146	Drill & Dim.	-	A
0970039	Logic Diagram	-	-

REVISION LEVEL CONTROL CHART			
APPLICABLE ASSY DASH NO.	902		
USABLE MARKING LEVEL	-	A	B
DWG. NO.	TITLE	USABLE DRAWING REVISION	
This Dwg.	Assembly	-	A
1550146	Comp. Assy., (Ref. Dwg.)	-	A
7070146	Drill & Dim.	-	A
0970039	Logic Diagram	-	-

REVISION LEVEL CONTROL CHART			
APPLICABLE ASSY DASH NO.			
USABLE MARKING LEVEL	-	A	B
DWG. NO.	TITLE	USABLE DRAWING REVISION	
		-	-

REVISION LEVEL CONTROL CHART			
APPLICABLE ASSY DASH NO.			
USABLE MARKING LEVEL	-	A	B
DWG. NO.	TITLE	USABLE DRAWING REVISION	
		-	-

HARRIS COMPUTER SYSTEMS DIVISION			
SIZE	CODE IDENT NO	DWG NO	REV
A	29436	1510146	B
FORT LAUDERDALE, FLORIDA		SCALE	CONT ON SHEET - SHEET 4 OF 4

PARTS LIST		HARRIS COMPUTER SYSTEMS DIVISION		CONTRACT NO.	CODE IDENT.	1510223	REVISION	F																												
TITLE: P. C. ASSEMBLY, VIRTUAL MEMORY				AUTHENTICATION		REV. AUTH. NO.	SHEET 1 OF 6																													
<p>THIS SHEET SHALL BE USED AS TITLE SHEET FOR RECORDING OF REVISIONS.</p> <table border="1"> <thead> <tr> <th>LTR</th> <th>DESCRIPTION</th> <th>DATE</th> <th>APPROVED</th> </tr> </thead> <tbody> <tr> <td>A</td> <td>INITIAL RELEASE</td> <td>12-1-76</td> <td>S. J. H.</td> </tr> <tr> <td>B</td> <td>ECPO377C150-3 REV 0</td> <td>2-2-77</td> <td>J. R. H.</td> </tr> <tr> <td>C</td> <td>ECPO377C217-12 REV B, CHANGED ITEMS 17, 32, 15, 29 ADD ITEMS 20, 28.</td> <td>6-15-77</td> <td>J. R. H.</td> </tr> <tr> <td>D</td> <td>ECPO377C299-3 REV 0, CHANGED #55, DELETED #44 REVISED SIMULTANEOUSLY</td> <td>6-15-77</td> <td>J. R. H.</td> </tr> <tr> <td>E</td> <td>ECPO377C2523-3 ITEM 24 P/N - 239 WAS - 353, CHANGED QTY OF ITEM 15</td> <td>11-1-77</td> <td>J. R. H.</td> </tr> <tr> <td>F</td> <td>ECPO178C047-3; FOR -901, 283; ITEM 24 QTY WAS 78, ADD C79; ITEM 29 QTY WAS 13, ADD R14; ITEM 31 DELETE; ITEM 32 ADD INTEGRATED CIRCUIT IN DESC.; ITEM 34 QTY WAS 6, ADD U1.</td> <td>1-31-78</td> <td>J. R. H.</td> </tr> </tbody> </table>									LTR	DESCRIPTION	DATE	APPROVED	A	INITIAL RELEASE	12-1-76	S. J. H.	B	ECPO377C150-3 REV 0	2-2-77	J. R. H.	C	ECPO377C217-12 REV B, CHANGED ITEMS 17, 32, 15, 29 ADD ITEMS 20, 28.	6-15-77	J. R. H.	D	ECPO377C299-3 REV 0, CHANGED #55, DELETED #44 REVISED SIMULTANEOUSLY	6-15-77	J. R. H.	E	ECPO377C2523-3 ITEM 24 P/N - 239 WAS - 353, CHANGED QTY OF ITEM 15	11-1-77	J. R. H.	F	ECPO178C047-3; FOR -901, 283; ITEM 24 QTY WAS 78, ADD C79; ITEM 29 QTY WAS 13, ADD R14; ITEM 31 DELETE; ITEM 32 ADD INTEGRATED CIRCUIT IN DESC.; ITEM 34 QTY WAS 6, ADD U1.	1-31-78	J. R. H.
LTR	DESCRIPTION	DATE	APPROVED																																	
A	INITIAL RELEASE	12-1-76	S. J. H.																																	
B	ECPO377C150-3 REV 0	2-2-77	J. R. H.																																	
C	ECPO377C217-12 REV B, CHANGED ITEMS 17, 32, 15, 29 ADD ITEMS 20, 28.	6-15-77	J. R. H.																																	
D	ECPO377C299-3 REV 0, CHANGED #55, DELETED #44 REVISED SIMULTANEOUSLY	6-15-77	J. R. H.																																	
E	ECPO377C2523-3 ITEM 24 P/N - 239 WAS - 353, CHANGED QTY OF ITEM 15	11-1-77	J. R. H.																																	
F	ECPO178C047-3; FOR -901, 283; ITEM 24 QTY WAS 78, ADD C79; ITEM 29 QTY WAS 13, ADD R14; ITEM 31 DELETE; ITEM 32 ADD INTEGRATED CIRCUIT IN DESC.; ITEM 34 QTY WAS 6, ADD U1.	1-31-78	J. R. H.																																	

PARTS LIST		HARRIS COMPUTER SYSTEMS DIVISION		CONTRACT NO.	CODE IDENT.	1510223	REVISION	F
TITLE: P. C. ASSEMBLY, VIRTUAL MEMORY				AUTHENTICATION		REV. AUTH. NO.	SHEET 3 OF 6	
ITEM NO.	QTY.	RQD.	CODE IDENT.	HARRIS REFERENCE NO.	PART NUMBER	REFERENCE DESIGNATION	DESCRIPTION	
30	1	1	901		4710008-002	RZ144	RESISTOR NETWORK, (01L), 500 OHMS	
31								
32	14	14	901		6410000-104	U2, U7, U10, U11, U24, U29, U52, U68, U71, U94, U126, U136, U178, U194	INTEGRATED CIRCUIT (74574)	
33	4	4	901		6410000-061	U3, U23, U46, U137	(74H08)	
34	7	7	901		6410000-087	U4, U95, U96, U112, U152, U155	(74502)	
35	14	14	901		6410000-097	U5, U50, U53, U77, U93, U115, U118, U119, U133, U134, U135, U139, U179, U193	(74532)	
36	3	3	901		6410000-095	U6, U9, U45	(74520)	
37	24	24	901		6410000-195	U12, U34, U56, U78, U100, U185, U186, U188, U195, U197, U201, U202, U203, U204, U205, U206, U207, U209, U211, U212, U213, U214, U215, U218	INTEGRATED CIRCUIT (745240)	

PARTS LIST		HARRIS COMPUTER SYSTEMS DIVISION		CONTRACT NO.	CODE IDENT.	1510223	REVISION	F
TITLE: P. C. ASSEMBLY, VIRTUAL MEMORY				AUTHENTICATION		REV. AUTH. NO.	SHEET 5 OF 6	
ITEM NO.	QTY.	RQD.	CODE IDENT.	HARRIS REFERENCE NO.	PART NUMBER	REFERENCE DESIGNATION	DESCRIPTION	
48	1	1	901		6410000-098	U55	INTEGRATED CIRCUIT (74537)	
49	1	1	901		6410000-093	U76	(74511)	
50	5	5	901		6410000-091	U92, U116, U158, U74, U130	(74508)	
51	1	1	901		6410000-064	U97	(74H20)	
52	3	3	901		6410000-110	U99, U120, U141	(745138)	
53			10		6410002-017	U101, U102, U103, U104, U105, U106, U107, U108, U109, U110	(825116)	
54	8	8	901		6410000-050	U111, U112, U147, U148, U157, U165, U173, U184	(74191)	
55	7	7	901		6410000-114	U113, U149, U161, U166, U175, U196, U210	(745157)	
56	3	3	901		6410000-115	U114, U169, U171	(745158)	
57	1	1	901		6410000-119	U121	(745182)	
58	1	1	901		6410000-109	U123	(745133)	
59	1	1	901		6410000-059	U128	(74H04)	
60	1	1	901		6410000-062	U129	(74H10)	
61	1	1	901		6410000-096	U143	INTEGRATED CIRCUIT (74530)	

PARTS LIST		HARRIS COMPUTER SYSTEMS DIVISION		CONTRACT NO.	CODE IDENT.	1510223	REVISION	F
TITLE: P. C. ASSEMBLY, VIRTUAL MEMORY				AUTHENTICATION		REV. AUTH. NO.	SHEET 2 OF 6	
ITEM NO.	QTY.	RQD.	CODE IDENT.	HARRIS REFERENCE NO.	PART NUMBER	REFERENCE DESIGNATION	DESCRIPTION	
1	-	-	X		1570223		P. C. ASSY., VIRTUAL MEMORY, (256)	
2	-	X	-		1570223		P. C. ASSY., VIRTUAL MEMORY, (1K)	
3	X	-	-		1570223		P. C. ASSY., VIRTUAL MEMORY, (4K)	
4	1	1	1		7070223-001		DRILL & DIM., VIRTUAL MEMORY	
5	6	6	6		A149020-001		NUT, CARD	
6	1	1	1		3210112-001		BRACKET GUIDE, P. C.	
7	1	1	1		1230102-901		STIFFENER ASSY., P. C. BOARD	
8	1	1	1		3610007-001		STIFFENER, P. C. BOARD	
9	6	6	6		2810011-101		EYELET, FLAT FLANGE, .692" LONG	
10	4	4	4		2810011-002		EYELET, ROLLED FLANGE, .375" LONG	
11	2	2	2		2810011-003		EYELET, ROLLED FLANGE, .187" LONG	
12	6	6	6		2810007-306		RIVET, TUBULAR, 5/16" LONG	
13								
15	29	29	29		2210103-003	WP1, WP2, WP5 THRU WP10	TERMINAL PIN	
16	6	6	6		5950101-004		BUS BAR	
17	1	1	1		2115010-017	J1	HEADER, DOUBLE ROW, 34 POS.	
18								
19								
21	X	X	X		0690110		MECH. CONFIG., SPEC., P. C. BOARD, V. M.	
22								
23								
24	79	79	79		4210001-239	C1 THRU C79	CAP., CERAMIC, 0.1 MFD, ±20%, 50V	
25	2	2	2		4210003-233	C79, C80	CAP., TANT. ELECTR., 100 MFD, ±20%, 15V	
26								
27	2	2	2		6210006-001	D18, D126	DELAY LINE, DIL, 150 NS	
28	2	2	2		4710501-135	R2, R3	RESISTOR, 100 OHMS, ±5%, 1/4 W	
29	12	12	12		4710501-159	R1, R4 THRU R14	RESISTOR, 1K, ±5%, 1/4W	

PARTS LIST		HARRIS COMPUTER SYSTEMS DIVISION		CONTRACT NO.	CODE IDENT.	1510223	REVISION	F
TITLE: P. C. ASSEMBLY, VIRTUAL MEMORY				AUTHENTICATION		REV. AUTH. NO.	SHEET 4 OF 6	
ITEM NO.	QTY.	RQD.	CODE IDENT.	HARRIS REFERENCE NO.	PART NUMBER	REFERENCE DESIGNATION	DESCRIPTION	
38		10	-		6410002-001	U13, U14, U15, U16, U17, U18, U19, U20, U21, U22	INTEGRATED CIRCUIT (93415)	
39								
40								
41	8	8	8		6410000-086	U35, U36, U37, U38, U39, U40, U41, U42, U43, U44, U57, U58, U59, U60, U61, U62	(93415)	
42	1	1	1		6410000-111	U63, U64, U65, U66, U79, U80, U81, U82, U83, U84, U85, U86, U87, U88	(93415)	
43	10	10	10		6410000-089	U125, U127, U132, U142, U145, U154, U138	(74504)	
44	2	2	2		6410000-057	U47, U91	(74H00)	
45	4	4	4		6410000-078	U49, U67, U89, U90	(74H74)	
46								
47	3	3	3		6410000-118	U54, U98, U140	INTEGRATED CIRCUIT (745181)	

PARTS LIST		HARRIS COMPUTER SYSTEMS DIVISION		CONTRACT NO.	CODE IDENT.	1510223	REVISION	F
TITLE: P. C. ASSEMBLY, VIRTUAL MEMORY				AUTHENTICATION		REV. AUTH. NO.	SHEET 6 OF 6	
ITEM NO.	QTY.	RQD.	CODE IDENT.	HARRIS REFERENCE NO.	PART NUMBER	REFERENCE DESIGNATION	DESCRIPTION	
62	5	5	5		6410000-037	U190, U151, U187, U189, U190	INTEGRATED CIRCUIT (74153)	
63	2	2	2		6410000-046	U153, U172	(74175)	
64	2	2	2		6410000-198	U156, U174	(74585)	
65	2	2	2		6410002-008	U159, U160	(82517)	
66	5	5	5		6410000-117	U162, U163, U176, U192, U217	(745175)	
67	2	2	2		6410000-045	U167, U170	(74174)	
68	1	1	1		6410000-178	U177	(745174)	
69	1	1	1		6410000-001	U183	(7400)	
70	1	1	1		6410000-196	U208	INTEGRATED CIRCUIT (745241)	
71	0	0	0		6410000-099	U216	INTEGRATED CIRCUIT (74538)	
72	1	1	1		6410000-202	U168	INTEGRATED CIRCUIT (745373)	
73								
74								
75								
76								
77								
78	2 FT	2 FT	2 FT		6010108-009		WIRE, TEFLON INSUL, SOLID WHITE, #30 AWG	
79								
80								
81								
82	X	X	X		0970223		LOGIC DIAGRAM, VIRTUAL MEMORY	

PARTS LIST		HARRIS COMPUTER SYSTEMS DIVISION		CONTRACT NO.	CODE IDENT.	REVISION
TITLE: P. C. ASSY., CPU-1		29436		1510236	N	SHEET 1 OF 7
REVISIONS						
LTR	DESCRIPTION	DATE	APPROVED			
A	ECP 1076C407-3, Rev. A	11-3-74	[Signature]			
B	ECP 1276C482-4					
C	ECP 1276C483-4 Released Simultaneously	1-12-77	[Signature]			
D	ECP1276C512-34 REV O Rev level control chart info. trans. to Dwg 1570236, change title all sheets & item 1	1-10-77	[Signature]			
E	ECP0177C032 REV A CHANGE ITEM 14 WAS 3/32 QTY. 136 WAS 29	2-14-77	[Signature]			
F	ECP0177C032 REV A CHANGE ITEM 14 WAS 3/32 QTY. 136 WAS 29	2-22-77	[Signature]			
G	ECP0177C032 REV A CHANGE ITEM 14 WAS 3/32 QTY. 136 WAS 29	3-1-77	[Signature]			
H	ECP0177C032 REV A CHANGE ITEM 14 WAS 3/32 QTY. 136 WAS 29	4-1-77	[Signature]			
J	ECP 0377C207 REV O CHANGE ITEM 13 TO 18	5-13-77	[Signature]			
K	ECP 0377C207 REV O CHANGE ITEM 13 TO 18	5-13-77	[Signature]			
L	ECP077C381-3, REV. 0 Add Item 131 to Parts List	5-13-77	[Signature]			
M	ECP0877C452-3, REV. B Item #63 change qty to 18 Add U310 to Ref. Des.	9-17-77	[Signature]			
N	ECP1077C571-3 PART NOS. 80, 86 THRU 90, 95, 97 THRU 100, 103 & 104 WAS	12-1-77	[Signature]			

THIS SHEET SHALL BE USED AS TITLE SHEET FOR RECORDING OF REVISIONS.

PARTS LIST		HARRIS COMPUTER SYSTEMS DIVISION		CONTRACT NO.	CODE IDENT.	REVISION	
TITLE: P. C. ASSY., CPU-1		29436		1510236	N	SHEET 3 OF 7	
ITEM NO.	QTY.	RQD.	CODE IDENT.	HARRIS REFERENCE NO.	PART NUMBER	REFERENCE DESIGNATION	DESCRIPTION
27			901		4210001-353	C14, C48, C79, C81, C91, C92, C117, C119 - C133	CAP., CERAMIC DISK, .1MFD, 20%, 50V
28					4210001-011	C92	CAP., CERAMIC DISK, 470MFD, 20%, 50V
29					4210003-233	C134, C135	CAP., TANT, ELECTR., 100MFD, ±20%, 15V
31							
32					4710501-159	R1 THRU R9, R11 THRU R14, R17 THRU R20, R22, R23, R24, R25	RESISTOR, 1K, 5%, 1/4W
33					4710501-153	R21, R16	RESISTOR 560 OHMS, 5%, 1/4W
34					4710501-183	R15	RESISTOR 10 K, 5%, 1/4W
35					4710501-127	R10	RESISTOR 47 OHMS, 5%, 1/4W
36					471008-003	R21, R21A, R220, R221, R2319	RESISTOR NETWORK 1K, (±5V)
37					4710007-002	R22	RESISTOR NETWORK, 100 OHMS TGN(D)
38					4710500-159	R26, R27, R28	RESISTOR, 1K, ±5%, 1/8 W
39							
40							
41					6410000-207	U1, U7, U8, U27, U28, U39, U42, U51	INTEGRATED CIRCUIT (74LS00)
42					6410000-007	U2, U10	(7408) (74LS240)
43					6410000-195	U3, U4, U15, U16, U17, U18, U19, U22, U23, U25, U26, U27, U28, U30, U32, U33, U34, U35, U36, U37	
44					6410000-026	U38, U39	(7474)
45					6410000-211	U5, U136, U209	(74LS10)
46					6410000-097	U6, U33, U38, U41, U9, U29, U92, U106, U130, U133, U158, U175, U235, U236, U125	(74LS22)
47					6311007-901	U17	(74LS13) PROM (PROGRAMMED)
48					6410000-011	U13	INTEGRATED CIRCUIT (7414)

PARTS LIST		HARRIS COMPUTER SYSTEMS DIVISION		CONTRACT NO.	CODE IDENT.	REVISION	
TITLE: P. C. ASSY., GPU-1		29436		1510236	N	SHEET 5 OF 7	
ITEM NO.	QTY.	RQD.	CODE IDENT.	HARRIS REFERENCE NO.	PART NUMBER	REFERENCE DESIGNATION	DESCRIPTION
71					6410000-093	U71, U78, U148, U247, U153	INTEGRATED CIRCUIT (74S11)
72					6410000-113	U72, U74, U91, U94, U102, U104, U119, U121, U132, U200, U202, U222, U228, U252, U253, U254, U260, U272, U281, U282, U309	(74S153)
73					6410000-178	U73, U76, U103, U105, U123, U180, U182	(74S174)
74					6410000-193	U75, U101, U131	(74S163)
75					6410000-065	U81, U244	(74S121)
76					6410000-200	U82 THRU U90	(74S174)
77					6410000-216	U251, U257, U280	(74S138)
78					6311009-901	U95, U99, U149, U94	(74S138)
79					6311010-901	U107	(7611) PROM (PROGRAMMED)
80					6311011-902	U108	(7611) PROM (PROGRAMMED)
81					6311012-901	U109	(7611) PROM (PROGRAMMED)
82					6311013-901	U110	(7644) PROM (PROGRAMMED)
83					6311014-901	U111	(7644) PROM (PROGRAMMED)
84					6311015-901	U112	(7644) PROM (PROGRAMMED)
85					6311016-901	U113	(7644) PROM (PROGRAMMED)
86					6311017-902	U114	(7644) PROM (PROGRAMMED)
87					6311018-902	U115	(7644) PROM (PROGRAMMED)
88					6311019-902	U116	(7644) PROM (PROGRAMMED)
89					6311020-902	U117	(7644) PROM (PROGRAMMED)
90					6311021-902	U118	(7644) PROM (PROGRAMMED)
91					6410000-087	U122	(74S02)
92					6410000-114	U124, U129, U134, U267, U291, U268	(74S157) (74S157)
93					6311022-901	U135	(7621) PROM (PROGRAMMED)
94					6410000-092	U163, U184 THRU U186, U188, U246, U264	(74S10)
95					6311023-902	U137	INTEGRATED CIRCUIT (7611) PROM (PROGRAMMED)

PARTS LIST		HARRIS COMPUTER SYSTEMS DIVISION		CONTRACT NO.	CODE IDENT.	REVISION	
TITLE: P. C. ASSY., CPU-1		29436		1510236	N	SHEET 2 OF 7	
ITEM NO.	QTY.	RQD.	CODE IDENT.	HARRIS REFERENCE NO.	PART NUMBER	REFERENCE DESIGNATION	DESCRIPTION
1			901		1570236		P. C. ASSY., CPU-1
2							
3					7070236-001		DRILL & DIM., CPU-1 MAINFRAME
4					3210112-001		BRACKET GUIDE, P.C.
5					3510000-001		BUSHING, NYLON
6					1230102-902		STIFFENER ASSY.
7					3610007-001		STIFFENER, P.C. BOARD, FR-4
8					2810011-101		EYELET, FLAT FLANGE, .622 LONG
9					2810011-004		EYELET, ROLLED FLANGE, .453 LONG
10					2810011-003		EYELET, ROLLED FLANGE, .187 LONG
11					3710007-005		TUBING, HEAT SHRINKABLE 3/16
12					3710007-001	(USE ON C92)	TUBING, HEAT SHRINKABLE 3/64
13					2115010-025	J1, J2	HEADER, DOUBLE ROW, 50 POS.
14					3710007-003	(USE ON U91)	TUBING, HEAT SHRINKABLE 3/32
15					2110003-010	W3, W3	CONN., DBL., ROW, RT. ANGLE POST, 20 PIN
16						W2, W3	TERMINAL PIN, STAR
17						W4, W5	TERMINAL PIN, STAR
18							
19							
20							
21					2810112-001		WASHER NYLON FLAT #2
22							
23							
24							
25					4210001-352	C1, C2, C3, C4, C5, C7, C8, C9, C10, C11, C13, C15, C16, C17, C19, C20, C21, C22, C23, C25, C26, C27, C28, C29, C31, C32, C33, C34, C35, C37, C38, C40, C41, C43, C44, C45, C46, C47, C118, C39	CAP., CERAMIC, .01, MFD, 20%, 50V
26					4210024-001	C6, C12, C18, C24, C30, C36, C42, C48	CAP., CERAMIC, 100PF, 10%, 1KV

PARTS LIST		HARRIS COMPUTER SYSTEMS DIVISION		CONTRACT NO.	CODE IDENT.	REVISION	
TITLE: P. C. ASSY., CPU-1		29436		1510236	N	SHEET 4 OF 7	
ITEM NO.	QTY.	RQD.	CODE IDENT.	HARRIS REFERENCE NO.	PART NUMBER	REFERENCE DESIGNATION	DESCRIPTION
49					6410000-212	U23	INTEGRATED CIRCUIT (74LS27)
50					6410000-182	U24	(74S139)
51					6410000-208	U25	(74LS02)
52					6410000-203	U26, U55	(74S16)
53					6410000-123	U29, U35, U60	(74273)
54					6410000-110	U30, U147, U207	(74S138)
55					6410000-210	U15, U174, U239	(74LS08)
56					6410000-214	U32, U36, U41, U43	(74LS24)
57					6410000-217	U34, U37, U63, U64	(74LS153)
58					6410000-101	U44	(74S51)
59					6410000-196	U45, U224, U301, U306, U320, U321	(74S241)
60					6410000-089	U46, U154, U157, U164, U176, U187, U220, U240, U266, U277	(74S04)
61					6410000-095	U47, U183, U203	(74S20)
62					6410000-209	U294, U206	(74LS08)
63					6410000-091	U49, U66, U77, U80, U93, U100, U120, U127, U128, U193, U194, U212, U230, U243, U262, U270, U290, U310, U39, U159, U160, U70, U165, U177, U178, U94, U199, U204, U211, U126	(74LS00)
64					6410000-086	U238, U242, U261, U289, U273, U205	(74LS92)
65					6410000-213	U52	(74S74)
66					6410000-104	U55, U65, U161, U208, U210, U213, U237, U263, U232	(74S48)
67					6410000-035	U56, U59	(74S48)
68					6410000-128	U58	(74S85)
69					6410000-226	U67, U69, U98	(74LS27)
70					6311008-901	U68	INTEGRATED CIRCUIT (7611) PROM (PROGRAMMED)

PARTS LIST		HARRIS COMPUTER SYSTEMS DIVISION		CONTRACT NO.	CODE IDENT.	REVISION	
TITLE: P. C. ASSY., CPU-1		29436		1510236	N	SHEET 6 OF 7	
ITEM NO.	QTY.	RQD.	CODE IDENT.	HARRIS REFERENCE NO.	PART NUMBER	REFERENCE DESIGNATION	DESCRIPTION
96					6311024-901	U138	INTEGRATED CIRCUIT (7644) PROM (PROGRAMMED)
97					6311025-902	U139	(7644) PROM (PROGRAMMED)
98					6311026-902	U140	(7644) PROM (PROGRAMMED)
99					6311027-902	U141	(7644) PROM (PROGRAMMED)
100					6311028-902	U142	(7644) PROM (PROGRAMMED)
101					6311029-901	U143	(7644) PROM (PROGRAMMED)
102					6311030-901	U144	(7644) PROM (PROGRAMMED)
103					6311031-902	U145	(7644) PROM (PROGRAMMED)
104					6311032-902	U146	(7644) PROM (PROGRAMMED)
105					6410000-004	U148, U150	(7404)
106					6410000-117	U152, U259, U286	(74S175)
107					6410000-204	U162, U219, U246	(74125)
108					6410003-003	U162, U170, U221	(AM2201)
109					6410000-205	U222, U223, U274	(93S16)
110					6410000-184	U172, U197, U224, U249	(74S258)
111					6410000-102	U173, U198, U225, U250	(74S64)
112					6410000-112	U172, U181, U195, U256	(74S151)
113					6410000-215	U189	(74LS123)
114					6410000-107	U190, U214, U215	(74S113)
115					2310000-015	U216, U217	INTEGRATED CIRCUIT (74S113)
116					6410000-098	U192	OSCILLATOR 33.333 MHz
117					6410000-098	U192	INTEGRATED CIRCUIT (74S37)
118							

PARTS LIST		HARRIS COMPUTER SYSTEMS DIVISION		CONTRACT NO.	CODE IDENT	1510236	REVISION
TITLE				AUTHENTICATION	REV. AUTH. NO.	SHEET 7 OF 7	
P. C. ASSY., CPU-1							
ITEM NO.	QTY. REQ.	CODE IDENT	HARRIS REFERENCE NO.	PART NUMBER	REFERENCE DESIGNATION	DESCRIPTION	
127	2	901		6410000-119	U275, U276	INTEGRATED CIRCUIT (74S182)	
128	1			6410000-041	U278	↑ (74161)	
129	2			6410000-096	U288, U292	↓ (74S30)	
130	3			6410000-202	U315, U316, U317	INTEGRATED CIRCUIT (74S373)	
131	1			6410001-009	U307	INTEGRATED CIRCUIT (8113/75121)	
132	1			6410000-099	U308	INTEGRATED CIRCUIT (74S38)	
133							
134							
135	REF			0970236		LOGIC DIAGRAM CPU-1 MAINFRAME	
136	28			2110011-003	U12, U48, U97, U269 U102 THRU U118 U138 THRU U146	↑ SOCKET 16 PIN I.C.	
137	6			2110011-009	U135, U137, U229 U169, U170, U221 U222, U223, U274	↓ SOCKET 40 PIN I.C.	
138	1			2110011-007	U277	SOCKET 24 PIN I.C.	
139	20 ft.			6010116-001		WIRE, IPVC INSUL., SOLID WHITE, #30 AWG	
140							
141							
142	X			0670025		ASSY. REF., CPU-1 MAINFRAME	

PARTS LIST		HARRIS COMPUTER SYSTEMS DIVISION		CONTRACT NO.	CODE IDENT.	REVISION
TITLE: P.C. ASSEMBLY POWER CONTROL/LINE CLOCK		AUTHENTICATION		29436	1510242	C
SHEET 1 OF 3		REV. AUTH. NO.				
REVISIONS						
LTR	DESCRIPTION	DATE	APPROVED			
A	ECP1276C512-34 REV. O, Rev Level Cont. chart info, Trans. to Dwg 1570242, Chg. Dwg Title all sheets & Item 1	1-20-77	<i>JRH</i>			
B	ECP 1276C512-4 Rev O, Qty. Item 12 was 7, Qty. Item 14 was 12 in. Qty Item 52 was 5 and add Q10 to Ref. Des., Qty. Item 58 was 3, add item 67 & 68	1-21-77	<i>JRH</i>			
C	ECP 0277C100-3 REV O ADD ITEM # 52.	1-21-77	<i>JRH</i>			

THIS SHEET SHALL BE USED AS TITLE SHEET FOR RECORDING OF REVISIONS.

PARTS LIST		HARRIS COMPUTER SYSTEMS DIVISION		CONTRACT NO.	CODE IDENT.	REVISION	
TITLE: P.C. ASSEMBLY POWER CONTROL/LINE CLOCK		AUTHENTICATION		29436	1510242	C	
SHEET 3 OF 3		REV. AUTH. NO.					
ITEM NO.	QTY	RQD	CODE IDENT.	HARRIS REFERENCE NO.	PART NUMBER	REFERENCE DESIGNATION	DESCRIPTION
38	1		901		4810104-002	CR7	DIODE, ZENER, 27V ± 5%, 500 MV
39	1				4810102-015	CR14	DIODE, ZENER, 9.1V, ±5%, 400 MV
40	1						
41							
42							
43							
44	2				5210010-004	F1, F3	FUSE, CART, GLASS, .25A, 250V AGC
45							
46							
47							
48							
49							
50	2				4910010-001	D1, Q6	TRANSISTOR, PNP, HIGH SPEED
51	1				4910011-001	D4	TRANSISTOR, NPN, POWER, PLASTIC
52	0				4910009-001	Q7, Q8, Q10, Q11, Q13	TRANSISTOR, NPN, HIGH SPEED
53							
54							
55							
56	1				4710503-111	R2	RESISTOR, 10 OHMS, ± 5%, 1W
57	2				4710503-187	R4, R3	RESISTOR, 15K, ± 5%, 1W
58	2				4710501-169	R7, R72	RESISTOR, 2.7K, ± 5%, 1/4W
59	1				4710501-247	R15	RESISTOR, 4.7 MΩ, ± 5%, 1/4W
60	4				4710501-191	R33, R41, R48, R59	RESISTOR, 22K, ± 5%, 1/4W
61	1				4710710-429	R42	RESISTOR, 35 OHMS, ± 5%, 5W, 1/4W
62	1				4710501-135	R49	RESISTOR, 100 OHMS, ± 5%, 1/4W
63	2				4710501-183	R50, R62	RESISTOR, 10K, ± 5%, 1/4W
64	1				4710501-199	R51	RESISTOR, 47K, ± 5%, 1/4W
65	1				4710502-135	R52	RESISTOR, 100 OHMS, ± 5%, 1/2W
66	1				4710503-137	R53	RESISTOR, 120 OHMS, ± 5%, 1W
67	1				4710501-159	R73	RESISTOR, 1K, ± 5%, 1/4W
68	2				4710501-154	R54, R56	RESISTOR, 750 OHMS, ± 5%, 1/4W
69							
70							
71	1				6310001-002	U2	INTEGRATED CIRCUIT, OPTO-ISOLATOR (4N32A)
72	1				6410001-039	U5	INTEGRATED CIRCUIT, POS 12V REG (7812)
73							
74							
75	X				0970242		LOGIC DIAGRAM

PARTS LIST		HARRIS COMPUTER SYSTEMS DIVISION		CONTRACT NO.	CODE IDENT.	REVISION	
TITLE: P. C. ASSEMBLY, TURNKEY CONTROL PANEL		AUTHENTICATION		29436	1510250	A	
SHEET 2 OF 2		REV. AUTH. NO.					
ITEM NO.	QTY	RQD	CODE IDENT.	HARRIS REFERENCE NO.	PART NUMBER	REFERENCE DESIGNATION	DESCRIPTION
1			901				
2			X		1550250		P. C. ASSY, TURNKEY CONTROL PNL (REF DWG)
3							
4							
5							
6					7070250-001		DRILL & DIM, TURNKEY CONTROL PANEL
7					2810002-001		EYELET SHOULDER, FLAT FLANGE, .424 LONG
8					2810009-002		EYELET SHOULDER, ROLLED FLANGE, .567 LONG
9					2115012-001	J1, J2, J7	TERMINAL, FASTON, 110 SERIES
10					2115010-025	J3	HEADER, DOUBLE ROW, STRAIGHT, 50 POS.
11					2110004-002	J9	CONN., SGLE ROW, RT, ANGLE POST, 2 POS.
12					2110004-003	J8	CONN., SGLE ROW, RT, ANGLE POST, 3 POS.
13					2110001-002	J4, J5, J6	CONNECTOR, HOUSING, 2 POS.
14					2110001-001	J4, J5, J6	CONNECTOR, CONTACT
15							
16							
17							
18					4210003-233	C1	CAP., TANT. ELECTR, 100MFD, ±20%, 15V
19					4210001-353	C2 THRU C6	CAP., CERAMIC, 0.1MFD, ±20%, 50V
20							
21							
22					4710502-139	R1, R2, R3	RESISTOR, 150 OHM, ±5%, 1/2W
23					4710501-159	R4 THRU R17	RESISTOR, 1K, ±5%, 1/4W
24							
25							
26					5110000-102	S1	SWITCH, TOGGLE, DPDT, DARK GRAY
27					5110000-103	S2, S3, S4	SWITCH, TOGGLE, SPDT, LIGHT GRAY
28					5110000-101	S5	SWITCH, TOGGLE, DPDT, LIGHT GRAY
29					5110000-105	S6	SWITCH, TOGGLE, DPDT, RED
30							
31					6410000-207	U1, U5	INTEGRATED CIRCUIT (741500)
32					6410000-017	U2	INTEGRATED CIRCUIT (7432)
33					6410000-001	U3	INTEGRATED CIRCUIT (7400)
34							
35					6010107-401		WIRE, IPVC INSUL, STRD, BLACK, #28 AWG
36					6010107-404		WIRE, IPVC INSUL, STRD, WHITE, #28 AWG
37							
38					0970250		LOGIC DIAGRAM

PARTS LIST		HARRIS COMPUTER SYSTEMS DIVISION		CONTRACT NO.	CODE IDENT.	REVISION	
TITLE: P. C. ASSEMBLY POWER CONTROL/LINE CLOCK		AUTHENTICATION		29436	1510242	C	
SHEET 2 OF 3		REV. AUTH. NO.					
ITEM NO.	QTY	RQD	CODE IDENT.	HARRIS REFERENCE NO.	PART NUMBER	REFERENCE DESIGNATION	DESCRIPTION
1			X		1570242		P.C. ASSY., POWER CONTROL/LINE CLOCK
2							
3							
4					7070242-001		DRILL & DIM POWER FAIL SHUTDOWN/RESTART
5					2110004-018		CONN, SGLE ROW, RT, ANGLE POST, 18 PIN
6					2710003-001		HEAT SINK, TO-220
7					2810023-003		NUT, HEX, #6-32
8					2810101-005		WASHER, FLAT, #6
9					2810123-103		SCREW, PAN HD, PHIL, 6-32 X, 250 LONG
10					2810205-103		STRAP, RUBBER ELECTR, TIE DOWN 3" LONG
11					2110008-006		THERMAL CONDUCTOR, PAD
12					3110009-001		SPACER, TRANSISTOR MOUNTING
13					5210110-001		CLIP, FUSE, PC MOUNT
14					6010107-504		WIRE, ELECT, IPVC INSUL SOLID WHITE #30 AWG.
15							
16							
17							
18							
19							
20							
21					1810026-901		ASSEMBLY CABLE
22							
23							
24							
25							
26							
27					4210024-002	C1	CAP. CERAMIC DISC, .01 MFD, ± 20%, 1KV
28					4210023-001	C7	CAP. ALUM ELECTR, 500 MFD, ± 75-10%, 35V
29					4210001-353	C8	CAP. CERAMIC, .1 MFD ± 20%, 50V
30					4210019-241	C10	CAP. TANTALUM ELECTR, 10 MFD ± 10%, 20V
31					4210019-253	C20	CAP. TANTALUM ELECTR, 100 MFD ± 20%, 20V
32					4210001-239	C21	CAP. CERAMIC, .1 MFD ± 20%, 50V
33							
34							
35							
36					4810004-007	CR1, CR2, CR3, CR4	DIODE, RECTIFIER, 1 AMP, 1KV
37						CR8, CR9, CR10, CR11	
38					4810006-001	CR5, CR6, CR15, CR16	DIODE, GENERAL PURPOSE

PARTS LIST		HARRIS COMPUTER SYSTEMS DIVISION		CONTRACT NO.	CODE IDENT.	REVISION
TITLE: P. C. ASSEMBLY, TURNKEY CONTROL PANEL		AUTHENTICATION		29436	1510250	A
SHEET 1 OF 2		REV. AUTH. NO.				
REVISIONS						
LTR	DESCRIPTION	DATE	APPROVED			
A	ECP1276C512-34 REV. O, Rev. level cont. info, Trans. to Dwg. 1550250, Chg Dwg. Title all sheets & Item 1	1-20-77	<i>JRH</i>			

THIS SHEET SHALL BE USED AS TITLE SHEET FOR RECORDING OF REVISIONS.

PARTS LIST		HARRIS COMPUTER SYSTEMS DIVISION		CONTRACT NO.	CODE IDENT.	REVISION																																				
				29436	1510292	H																																				
TITLE: P. C. ASSEMBLY, SAU INTERFACE				AUTHENTICATION	REV. AUTH. NO.	SHEET 1 OF 5																																				
<p>THIS SHEET SHALL BE USED AS TITLE SHEET FOR RECORDING OF REVISIONS.</p> <table border="1"> <thead> <tr> <th>LT</th> <th>DESCRIPTION</th> <th>DATE</th> <th>APPROVED</th> </tr> </thead> <tbody> <tr> <td>A</td> <td>ECP 1276C486-2, REV. 0, ITEMS 25, 48, 46 CHANGE ITEM 64 DELETED, ITEM 70 ADDED, RLC CHARTS UPDATED</td> <td>1-11-77</td> <td>[Signature]</td> </tr> <tr> <td>B</td> <td>ECP 1276512-34 REV. 0, REV LEVEL CONTROL CHART INFO. TRANSFERRED TO DWG 1570292, CHG DWG TITLE ALL SHTS. AND ITEMS 142</td> <td>2-20-77</td> <td>[Signature]</td> </tr> <tr> <td>C</td> <td>ECP 0177C028-3 REV. 0, ITEM 74 WAS -007, 32,000 MMB</td> <td>2-16-77</td> <td>[Signature]</td> </tr> <tr> <td>D</td> <td>ECP 0177C072-3 REV. 0 (CHANGE QTY. ITEM # 44)</td> <td>3-11-77</td> <td>[Signature]</td> </tr> <tr> <td>E</td> <td>ECP 0877C413-9, ADD U112 TO ITEM # 43</td> <td>11-18-77</td> <td>[Signature]</td> </tr> <tr> <td>F</td> <td>ECP 0877C468-2 CHANGE ITEM 7 PART NO. CHANGE ITEM 9 QTY. ADD ITEM 13 TO PARTS LIST.</td> <td>1-15-78</td> <td>[Signature]</td> </tr> <tr> <td>G</td> <td>ECP 0178029-3, -901 & -902 ITEM 49 QTY. WAS 4, ADD U94</td> <td>1-26-78</td> <td>[Signature]</td> </tr> <tr> <td>H</td> <td>ECP 0178048-2, ADD ITEM 77, -901 & -902</td> <td>3 FEB. 78</td> <td>[Signature]</td> </tr> </tbody> </table>							LT	DESCRIPTION	DATE	APPROVED	A	ECP 1276C486-2, REV. 0, ITEMS 25, 48, 46 CHANGE ITEM 64 DELETED, ITEM 70 ADDED, RLC CHARTS UPDATED	1-11-77	[Signature]	B	ECP 1276512-34 REV. 0, REV LEVEL CONTROL CHART INFO. TRANSFERRED TO DWG 1570292, CHG DWG TITLE ALL SHTS. AND ITEMS 142	2-20-77	[Signature]	C	ECP 0177C028-3 REV. 0, ITEM 74 WAS -007, 32,000 MMB	2-16-77	[Signature]	D	ECP 0177C072-3 REV. 0 (CHANGE QTY. ITEM # 44)	3-11-77	[Signature]	E	ECP 0877C413-9, ADD U112 TO ITEM # 43	11-18-77	[Signature]	F	ECP 0877C468-2 CHANGE ITEM 7 PART NO. CHANGE ITEM 9 QTY. ADD ITEM 13 TO PARTS LIST.	1-15-78	[Signature]	G	ECP 0178029-3, -901 & -902 ITEM 49 QTY. WAS 4, ADD U94	1-26-78	[Signature]	H	ECP 0178048-2, ADD ITEM 77, -901 & -902	3 FEB. 78	[Signature]
LT	DESCRIPTION	DATE	APPROVED																																							
A	ECP 1276C486-2, REV. 0, ITEMS 25, 48, 46 CHANGE ITEM 64 DELETED, ITEM 70 ADDED, RLC CHARTS UPDATED	1-11-77	[Signature]																																							
B	ECP 1276512-34 REV. 0, REV LEVEL CONTROL CHART INFO. TRANSFERRED TO DWG 1570292, CHG DWG TITLE ALL SHTS. AND ITEMS 142	2-20-77	[Signature]																																							
C	ECP 0177C028-3 REV. 0, ITEM 74 WAS -007, 32,000 MMB	2-16-77	[Signature]																																							
D	ECP 0177C072-3 REV. 0 (CHANGE QTY. ITEM # 44)	3-11-77	[Signature]																																							
E	ECP 0877C413-9, ADD U112 TO ITEM # 43	11-18-77	[Signature]																																							
F	ECP 0877C468-2 CHANGE ITEM 7 PART NO. CHANGE ITEM 9 QTY. ADD ITEM 13 TO PARTS LIST.	1-15-78	[Signature]																																							
G	ECP 0178029-3, -901 & -902 ITEM 49 QTY. WAS 4, ADD U94	1-26-78	[Signature]																																							
H	ECP 0178048-2, ADD ITEM 77, -901 & -902	3 FEB. 78	[Signature]																																							

PARTS LIST		HARRIS COMPUTER SYSTEMS DIVISION		CONTRACT NO.	CODE IDENT.	REVISION	
				29436	1510292	H	
TITLE: P. C. ASSEMBLY, SAU INTERFACE				AUTHENTICATION	REV. AUTH. NO.	SHEET 3 OF 5	
ITEM NO.	QTY.	ROD.	CODE IDENT.	HARRIS REFERENCE NO.	PART NUMBER	REFERENCE DESIGNATION	DESCRIPTION
36	23	23			6410000-098	U1, U2, U3, U4, U5, U10, U11, U12, U13, U14, U15, U16, U17, U20, U21, U22, U23, U30, U32, U33, U34, U35, U190	INTEGRATED CIRCUIT (74537)
37	10	10			6410000-089	U9, U26, U27, U46, U48, U54, U102, U118, U168, U195	(74504)
38	5	5			6410000-115	U24, U25, U147, U149, U150	(745158)
39	5	5			6410000-110	U28, U44, U65, U66, U174	(745138)
40	8	8			6410000-091	U29, U31, U47, U51, U100, U101, U154, U170	(74500)
41	10	10			6410000-086	U36, U61, U121, U132, U138, U141, U155, U160, U171, U173	(74508)
42	11	11			6410000-092	U38, U45, U49, U50, U62, U64, U80, U130, U159, U153, U176	(74510)
43	15	15			6410000-102	U39, U40, U42, U52, U53, U57, U69, U70, U87, U108, U109, U112, U124, U142, U145	(74564)
44	6	6			6410000-097	U41, U135, U158, U175, U191, U140	INTEGRATED CIRCUIT (74532)

PARTS LIST		HARRIS COMPUTER SYSTEMS DIVISION		CONTRACT NO.	CODE IDENT.	REVISION	
				29436	1510292	H	
TITLE: P. C. ASSEMBLY, SAU INTERFACE				AUTHENTICATION	REV. AUTH. NO.	SHEET 5 OF 5	
ITEM NO.	QTY.	ROD.	CODE IDENT.	HARRIS REFERENCE NO.	PART NUMBER	REFERENCE DESIGNATION	DESCRIPTION
58	1	1			6410000-096	U108	INTEGRATED CIRCUIT (74530)
59	1	1			6410000-221	U115	(74L521)
60	1	1			6410000-106	U120	(74S112)
61	1	1			6410000-111	U123	(74S140)
62	1	1			6410000-032	U134	(74123)
63	1	1			6410000-214	U136	(74L574)
64	-	-			6410000-213		(74L532)
65	3	3			6410000-117	U148, U165, U166	(74S175)
66	1	1			6410000-222	U164	(74L5175)
67	1	1			6410000-210	U180	(74L508)
68	9	9			6410000-196	U181, U182, U183, U184, U185, U186, U187, U192, U197	(74S241)
69	3	3			6410000-195	U188, U189, U193	(74S240)
70	1	1			6410000-011	U68	INTEGRATED CIRCUIT (7414)
71	-	-					
72	-	-					
73	-	-					
74	-	-					
75	1	1			2310000-015	Y122	OSCILLATOR, 33.333 MHz
76	1	1			2310000-005	Y122	OSCILLATOR, 30.72 MHz
77	24 IN	24 IN			8600-030500-017		WIRE, TPVC INSUL., BLK/WHI., IMP., #30 AWG
78	6 IN	6 IN			6010108-009		WIRE, TEFLON INSUL., SOLID WHITE, #30 AWG
79	12 FT	12 FT			6010116-104	1 THRU 10	WIRE, TPVC INSUL., SOLID RED, #24 AWG
80	-	-			0970292		LOGIC DIAGRAM, SAU INTERFACE
81	X	-			0970292		LOGIC DIAGRAM, SAU INTERFACE

PARTS LIST		HARRIS COMPUTER SYSTEMS DIVISION		CONTRACT NO.	CODE IDENT.	REVISION	
				29436	1510292	H	
TITLE: P. C. ASSEMBLY, SAU INTERFACE				AUTHENTICATION	REV. AUTH. NO.	SHEET 2 OF 5	
ITEM NO.	QTY.	ROD.	CODE IDENT.	HARRIS REFERENCE NO.	PART NUMBER	REFERENCE DESIGNATION	DESCRIPTION
1	-	X			1570292		P. C. ASSY., SAU INTERFACE (REF. DWG.)
2	X	-			1570292		P. C. ASSY., SAU INTERFACE (REF. DWG.)
3	-	-					
4	1	1			7070292-001		DRILL & DIM., SAU INTERFACE
5	6	6			A149020-001		NUT, CARD
6	1	1			3210112-001		BRACKET GUIDE, P.C.
7	1	1			1230102-004		STIFFENER ASSY.
8	1	1			3610007-001		STIFFENER, P.C. BOARD
9	2	2			2810011-101		EYELET, FLAT FLANGE, .692 LONG
10	4	4			2810011-002		EYELET, ROLLED FLANGE, .375 LONG
11	2	2			2810011-003		EYELET, ROLLED FLANGE, .187 LONG
12	6	6			2810007-306		RIVET, TUBULAR, .5715 LONG
13	4	4			2810007-310		RIVET, TUBULAR, .562 LONG
14	-	-					
15	-	6			2115010-020	J4 THRU J9	HEADER, DOUBLE ROW, 40 POS.
16	5	5			2210103-003	WP1, WP2	TERMINAL PIN
17	-	-					
18	-	-					
19	-	-					
20	12	12			5950101-004		BUS BAR
21	-	-					
22	-	-					
23	-	-					
24	60	60			4210001-353	C1 THRU C40, C43 THRU C62	CAP., CERAMIC, 0.1 MFD, ±20%, 50V
25	2	2			4210001-352	C41, C42	CAP., CERAMIC, .01 MFD, ±20%, 50V
26	2	2			4210003-233	C63, C64	CAP., TANT. ELECT., 100 MFD, ±20%, 15V
27	-	-					
28	-	-					
29	15	15			4710501-159	R1 THRU R9, R12 THRU R17	RESISTOR, 1K, ±5%, 1/4W
30	1	1			4710501-167	R10	RESISTOR, 2.2K, ±5%, 1/4W
31	1	1			4710501-183	R11	RESISTOR, 10K, ±5%, 1/4W
32	-	-					
33	-	-					
34	4	4			4710009-013	RZ6, RZ7, RZ8, RZ16	RESISTOR, NETWORK, (DIL), 330/390 OHMS
35	-	-					

PARTS LIST		HARRIS COMPUTER SYSTEMS DIVISION		CONTRACT NO.	CODE IDENT.	REVISION	
				29436	1510292	H	
TITLE: P. C. ASSEMBLY, SAU INTERFACE				AUTHENTICATION	REV. AUTH. NO.	SHEET 4 OF 5	
ITEM NO.	QTY.	ROD.	CODE IDENT.	HARRIS REFERENCE NO.	PART NUMBER	REFERENCE DESIGNATION	DESCRIPTION
45	13	13			6410000-104	U43, U78, U116, U119, U133, U137, U152, U159, U161, U162, U179, U191, U198	INTEGRATED CIRCUIT (74574)
46	12	12			6410000-113	U55, U74, U77, U92, U93, U96, U109, U110, U113, U127, U129, U145	(745153)
47	8	8			6410000-173	U57, U73, U81, U95, U114, U128, U146, U163	(74273)
48	3	3			6410000-109	U63, U167, U169	(74S133)
49	5	5			6410000-093	U67, U81, U111, U177, U94	(74S111)
50	5	5			6410000-101	U71, U72, U88, U103, U106	(74S51)
51	3	3			6410000-178	U75, U98, U151	(74S174)
52	2	2			6410000-212	U79, U152	(74L527)
53	2	2			6410000-095	U82, U156	(74S20)
54	1	1			6410000-182	U83	(74S139)
55	3	3			6410000-087	U84, U117, U194	(74S02)
56	6	6			6410000-107	U89, U90, U104, U125, U126, U144	(74S113)
57	2	2			6410000-207	U97, U172	INTEGRATED CIRCUIT (74L500)

PARTS LIST		HARRIS COMPUTER SYSTEMS DIVISION		CONTRACT NO.	CODE IDENT.	1510294	REVISION	B
TITLE: P.C. ASSEMBLY, I/O PORT (SINGLE)				AUTHENTICATION		REV. AUTH NO.	SHEET	1
							OF	3
REVISIONS								
LTR	DESCRIPTION	DATE	APPROVED					
A	REVISED PER ECP0577C330-9 REV. A CHANGED ITEMS NO. 20 & 30	7-11-77	[Signature]					
B	REVISED PER ECP077C398-12 REV. D. CHANGED ITEM NO. 9 & ADDED ITEM NO. 13	8-20-77	[Signature]					
THIS SHEET SHALL BE USED AS TITLE SHEET FOR RECORDING OF REVISIONS.								

PARTS LIST		HARRIS COMPUTER SYSTEMS DIVISION		CONTRACT NO.	CODE IDENT.	1510294	REVISION	B
TITLE: P.C. ASSEMBLY, I/O PORT (SINGLE)				AUTHENTICATION		REV. AUTH NO.	SHEET	3
							OF	3
ITEM NO.	QTY. REQ.	CODE IDENT.	HARRIS REFERENCE NO.	PART NUMBER	REFERENCE DESIGNATION	DESCRIPTION		
32		901		6410000-195	U19, U20, U21, U22 U23, U24, U25, U26 U27, U28, U29, U30 U33, U34, U35, U36 U37, U38, U39, U40 U41, U42, U43, U44 U45, U46	INTEGRATED CIRCUIT (745240)		
33				6410000-196	U31	INTEGRATED CIRCUIT (745241)		
40		X		0970294-901		LOGIC DIAGRAM, I/O PORT (SINGLE)		

PARTS LIST		HARRIS COMPUTER SYSTEMS DIVISION		CONTRACT NO.	CODE IDENT.	1510294	REVISION	B
TITLE: P.C. ASSEMBLY, I/O INTERFACE				AUTHENTICATION		REV. AUTH NO.	SHEET	2
							OF	3
ITEM NO.	QTY. REQ.	CODE IDENT.	HARRIS REFERENCE NO.	PART NUMBER	REFERENCE DESIGNATION	DESCRIPTION		
1		901		1570296-901		P.C. ASSY, I/O INTERFACE		
2		X						
4		1		7070296-001		P.W. BOARD, DRILL&DIM, I/O INTERFACE		
5		6		A149020-001		NUT, CARD		
6		1		3210112-001		BRACKET GUIDE, P.C.		
7		1		1230102-904		STIFFENER ASSY., P.C. BOARD		
8		1		3610007-001		STIFFENER, P.C. BOARD		
9		2		2810011-101		EYELET, FLAT FLANGE, .692" LONG		
10		4		2810011-002		EYELET, ROLLED FLANGE, .375" LONG		
11		2		2810011-003		EYELET, ROLLED FLANGE, .187" LONG		
12		6		2810007-306		RIVET, TUBULAR, 5/16" LONG		
13		4		2810007-310		RIVET, TUBULAR, .562" LONG		
16		4		3230116-013		BUS BAR, 14.4" LONG		
17		6		2115010-020	J1 THRU J6	HEADER, DOUBLE ROW, 40 POS.		
20		23		4210001-239	C1 THRU C23	CAP., CERAMIC, 0.1 MFD, ±20%, 50V		
21		3		4210003-233	C24, C25, C26	CAP., TANT. ELECTR., 100 MFD, ±20%, 15V		
22								
23		1		5C47051-001	DL12	DELAY LINE, (DL), 100NS		
26		1		4710501-145	R1	RESISTOR 270Ω, ±5%, 1/4W		
27		4		4710501-139	R2, R3, R5, R6	RESISTOR 1K, ±5%, 1/4W		
28		1		4710501-139	R4	RESISTOR 150Ω, ±5%, 1/4W		
33		3		6410000-096	U1, U8, U9	INTEGRATED CIRCUIT (74530)		
34		4		6410000-086	U2, U10, U11, U15	INTEGRATED CIRCUIT (74500)		
35		2		6410000-099	U3, U14	INTEGRATED CIRCUIT (74538)		

PARTS LIST		HARRIS COMPUTER SYSTEMS DIVISION		CONTRACT NO.	CODE IDENT.	1510294	REVISION	B
TITLE: P.C. ASSEMBLY, I/O PORT (SINGLE)				AUTHENTICATION		REV. AUTH NO.	SHEET	2
							OF	3
ITEM NO.	QTY. REQ.	CODE IDENT.	HARRIS REFERENCE NO.	PART NUMBER	REFERENCE DESIGNATION	DESCRIPTION		
1		X		1570294-901		P.C. ASSY., I/O PORT (SINGLE)		
4		1		7070296-001		P.W. BOARD, DRILL & DIM, I/O PORT (SINGLE)		
5		6		A149020-001		NUT, CARD		
6		1		3210112-001		BRACKET GUIDE, P.C.		
7		1		1230102-904		STIFFENER ASSY., P.C. BOARD		
8		1		3610007-001		STIFFENER, P.C. BOARD		
9		2		2810011-101		EYELET, FLAT FLANGE, .692" LONG		
10		4		2810011-002		EYELET, ROLLED FLANGE, .375" LONG		
11		2		2810011-003		EYELET, ROLLED FLANGE, .187" LONG		
12		6		2810007-306		RIVET, TUBULAR, 5/16" LONG		
13		4		2810007-310		RIVET, TUBULAR, .562" LONG		
16		4		3230116-013		BUS BAR, 14.4" LONG		
17		6		2115010-020	J1 THRU J6	HEADER, DOUBLE ROW, 40 POS.		
20		23		4210001-239	C1 THRU C23	CAP., CERAMIC, 0.1 MFD, ±20%, 50V		
21		3		4210003-233	C24, C25, C26	CAP., TANT. ELECTR., 100 MFD, ±20%, 15V		
22								
23		1		4710501-139	R1	RESISTOR, 1K, ±5%, 1/4W		
24		2		4710009-008	R21, R22	RESISTOR NETWORK (DL), 162/260 OHMS		
26								
28		1		6410000-100	U7	INTEGRATED CIRCUIT (74540)		
29		1		6410000-095	U10	INTEGRATED CIRCUIT (74520)		
31		1		6410000-086	U12	INTEGRATED CIRCUIT (74500)		

PARTS LIST		HARRIS COMPUTER SYSTEMS DIVISION		CONTRACT NO.	CODE IDENT.	1510294	REVISION	B
TITLE: P.C. ASSEMBLY, I/O INTERFACE				AUTHENTICATION		REV. AUTH NO.	SHEET	3
							OF	3
REVISIONS								
LTR	DESCRIPTION	DATE	APPROVED					
A	REVISED PER ECP0577C329-9 REV. A ADD U4 (ITEM NO. 36) & CHANGE ITEM NO. 20 PART NO. FROM 4210001-353 TO 4210001-239	7-11-77	[Signature]					
B	REVISED PER ECP077C398-12 REV. D. CHANGED ITEM NO. 9 & ADDED ITEM NO. 13	8-20-77	[Signature]					
THIS SHEET SHALL BE USED AS TITLE SHEET FOR RECORDING OF REVISIONS.								

PARTS LIST		HARRIS COMPUTER SYSTEMS DIVISION		CONTRACT NO.	CODE IDENT.	1510294	REVISION	B
TITLE: P.C. ASSEMBLY, I/O INTERFACE				AUTHENTICATION		REV. AUTH NO.	SHEET	3
							OF	3
ITEM NO.	QTY. REQ.	CODE IDENT.	HARRIS REFERENCE NO.	PART NUMBER	REFERENCE DESIGNATION	DESCRIPTION		
36		2		6410000-100	U4, U5	INTEGRATED CIRCUIT (74540)		
37		1		6410000-087	U6	INTEGRATED CIRCUIT (74502)		
38		1		6410000-104	U7	INTEGRATED CIRCUIT (74574)		
39		1		6410000-092	U13	INTEGRATED CIRCUIT (74510)		
40		3		6410000-196	U16, U25, U27	INTEGRATED CIRCUIT (745241)		
41		23		6410000-195	U17, U18, U19, U20 U21, U22, U23, U24 U26, U31, U32, U33 U34, U35, U36, U37 U38, U39, U40, U41 U42, U43, U44	INTEGRATED CIRCUIT (745240)		
42								
43								
44								
45								
46								
47								
48		1		6010116-104	LK1, LK2	WIRE, TPVC INSUL., SOLID, RED, #24 AWG		
49								
50		X		0970296-901		LOGIC DIAGRAM, I/O INTERFACE		

PARTS LIST		HARRIS COMPUTER SYSTEMS DIVISION		CONTRACT NO.	CODE IDENT.	1510309	REVISION
TITLE: P. C. ASSEMBLY, POWER FAIL SHUTDOWN/RESTART				AUTHENTICATION	REV. AUTH. NO.	SHEET 1	OF 9
THIS SHEET SHALL BE USED AS TITLE SHEET FOR RECORDING OF REVISIONS.							
LTR	DESCRIPTION	DATE	APPROVED	REVISIONS			
				QTY.	ROD.	CODE IDENT.	HARRIS REFERENCE NO.
A	ECP 0377C159-9, Rev. D, Change Part No. Item 87	8-7-77	[Signature]				
B	ECP 0577C288-1, Rev. D, Change Part No. Item 25	8-7-77	[Signature]				
C	ECP0877C427-3 Change Qty. Items 10 & 18, Ref. Des. Items 16 & 19, Change Qty. Item 21 & remove U1 & U2	10-20-77	[Signature]				
D	ECP1277C678-2 Rev. D, Change Item 12 from Spring Washer to Lock. Change qty. Item 21 from 1 to 2	11-17-78	[Signature]				

PARTS LIST		HARRIS COMPUTER SYSTEMS DIVISION		CONTRACT NO.	CODE IDENT.	1510309	REVISION
TITLE: P. C. ASSEMBLY, POWER FAIL SHUTDOWN/RESTART				AUTHENTICATION	REV. AUTH. NO.	SHEET 3	OF 9
ITEM NO.	QTY.	ROD.	CODE IDENT.	HARRIS REFERENCE NO.	PART NUMBER	REFERENCE DESIGNATION	DESCRIPTION
33	-	-	-		4210024-003	C1, C2	CAP., CERAMIC DISC, .04 MFD, ±20%, 1KV
34	2	2	2		4210015-249	C3, C4	CAP., TANT. ELECTR., 47 MFD, ±20%, 35V
35	17	17	17		4210001-239	C5, C6, C7, C12, C19, C21, C22, C23, C26, C27, C28, C29, C34, C35, C37, C39, C40	CAP., CERAMIC, .1 MFD, ±20%, 50V
36	-	-	-		4210027-049	C8, C9	CAP., FILM, P.S., .1 MFD, ±1%, 50V
37	-	-	-		4210027-045	C10, C13	CAP., FILM, P. S., .068 MFD, ±1%, 50V
38	-	-	-		4210020-023	C11, C14	CAP., FILM, POLYCRBNT, .068 MFD, ±5%, 50V
39	-	-	-		4210001-227	C15, C16, C17, C18, C15, C18	CAP., CERAMIC, .01 MFD, ±20%, 50V
40	1	1	1		4210023-001	C20	CAP., ALUM. ELECTR., 500 MFD, +75-10%, 35V
41	1	1	1		4210019-253	C23	CAP., TANT. ELECTR., 100 MFD, ±10%, 20V
42	3	3	3		4210019-241	C24, C32, C33	CAP., TANT. ELECTR., 10 MFD, ±10%, 20V
43	3	3	3		4210001-018	C30, C31, C38	CAP., CERAMIC, 1800pf, ±10%, 50V

PARTS LIST		HARRIS COMPUTER SYSTEMS DIVISION		CONTRACT NO.	CODE IDENT.	1510309	REVISION
TITLE: P. C. ASSEMBLY, POWER FAIL SHUTDOWN/RESTART				AUTHENTICATION	REV. AUTH. NO.	SHEET 5	OF 9
ITEM NO.	QTY.	ROD.	CODE IDENT.	HARRIS REFERENCE NO.	PART NUMBER	REFERENCE DESIGNATION	DESCRIPTION
54	-	-	-		4510005-001	K1	RELAY, DRY REED, 12V
55	-	-	-		4910012-001	Q1, Q2, Q3, Q4, Q1, Q2	TRANS., NPN, GEN. PURPOSE, (2N3947)
56	1	1	1		4910011-001	Q5	TRANSISTOR, NPN, POWER, (11P29)
57	8	8	8		4910009-001	Q6, Q7, Q9, Q10, Q11, Q12, Q13, Q14	TRANS., NPN, HIGH SPEED SW., (2N2369A)
58	1	1	1		4910010-001	Q8	TRANS. PNP, HIGH SPEED SW, (2N3251)
59	-	-	-		4710603-465	R1, R4	RESISTOR, FIXED FILM, 46.4K, ±1%, 3/4W
60	-	-	-		4710603-495	R1	RESISTOR, FIXED FILM, 95.3K, ±1%, 3/4W
61	1	-	-		4710603-493	R1	RESISTOR, FIXED FILM, 90.3K, ±1%, 3/4W
62	-	-	-		4710706-371	R2, R3	RESISTOR, FIXED, WW, RS, 2K, ±5%, 7W
63	2	2	-		4710706-379	R2, R3	RESISTOR, FIXED, WW, RS, 4K, ±5%, 7W
64	-	-	-		4710600-339	R5, R6	RESISTOR, 2.49K, ±1%, 1/8W
65	-	-	-		4710600-530	R7, R8, R11, R12, R15, R16, R18, R21, R7, R11, R12, R21	RESISTOR, 200K, ±1%, 1/8W
66	-	-	-		4610011-005	R9, R10	RESISTOR, VAR., WW, 1K, ±5%, 1W

PARTS LIST		HARRIS COMPUTER SYSTEMS DIVISION		CONTRACT NO.	CODE IDENT.	1510309	REVISION
TITLE: P. C. ASSEMBLY, POWER FAIL SHUTDOWN/RESTART				AUTHENTICATION	REV. AUTH. NO.	SHEET 2	OF 9
ITEM NO.	QTY.	ROD.	CODE IDENT.	HARRIS REFERENCE NO.	PART NUMBER	REFERENCE DESIGNATION	DESCRIPTION
1	-	-	X		1570309		P. C. ASSY., PWR FAIL (115/230 VAC - 4 WIRE)
2	-	X	-		1570309		P. C. ASSY., PWR FAIL (230VAC - 3 WIRE)
3	X	-	-		1570309		P. C. ASSY., PWR FAIL (220VAC - 3 WIRE)
7	1	1	1		7070309-001		DRILL & DIM., PWR FAIL SHUTDOWN/RESTART
8	4	4	4		2810212-104		SCREW, PAN HD., PHIL., #6-32 x .438 LONG
10	6	6	6		2810211-003		WASHER, FLAT, #6
12	2	2	2		2810210-002		LOCKWASHER, SPRING #6
13	2	2	2		2810102-002		LOCKWASHER, INT. TOOTH, #6
15	4	4	4		2810208-002		NUT, HEX, #6-32
16	2	2	2		2710003-001	U12, Q5	HEAT SINK, TO-220
17	-	-	-		5210110-001	F1, F2, F3	CLIP, FUSE, P.C. MOUNT
18	1	1	1		2810205-003		STRAP, RUBBER, ELECTR. TIE DOWN, 3" LONG
19	2	2	2		3110008-006	U12, Q5	THERMAL CONDUCTOR PAD
20	-	-	-		3110009-002	Q1 THRU Q4, Q6 THRU Q14	SPACER, TRANSISTOR MTG.
21	11	11	-		3110009-001	Q1, Q2, Q6 THRU Q14	SPACER, TRANSISTOR MTG.
25	8	8	-		2210103-003	TP1 THRU TP9, TP1, TP2, TP4 THRU TP9	TERMINAL PIN
26	1	1	1		3230116-017		BUS BAR
29	1	1	1		2110004-018	J2	CONNECT, RT. ANGLE, SGL ROW, 18 POS.
31	1	1	1		2115009-504	J1	CONNECTOR, HEADER, 5 PIN

PARTS LIST		HARRIS COMPUTER SYSTEMS DIVISION		CONTRACT NO.	CODE IDENT.	1510309	REVISION
TITLE: P. C. ASSEMBLY, POWER FAIL SHUTDOWN/RESTART				AUTHENTICATION	REV. AUTH. NO.	SHEET 4	OF 9
ITEM NO.	QTY.	ROD.	CODE IDENT.	HARRIS REFERENCE NO.	PART NUMBER	REFERENCE DESIGNATION	DESCRIPTION
44	1	1	1		4210020-019	C36	CAP., FILM, POLYCRBNT, .033 MFD, ±5%, 50V
45	-	-	-		4810104-103	CR1, CR2, CR3, CR4, CR2, CR3	DIODE, ZENER, 12V, ±10%, 500MW, (1N5242A)
46	6	6	6		4810004-007	CR5, CR8, CR17, CR18, CR19, CR20	DIODE, RECTIFIER, 1 Amp, 1KV, (1N4007)
47	2	2	2		4810108-023	CR6, CR7	DIODE, ZENER, 27V, ±5%, 1W, (1N4750A)
48	-	-	-		4810006-001	CR9, CR10, CR11, CR12, CR13, CR14, CR15, CR16, CR25, CR26	DIODE, GEN. PURPOSE, SIGNAL, (1N4148)
49	1	1	1		4810104-002	CR21	DIODE, ZENER, 27V, ±5%, 500MW, (1N5254)
50	1	1	1		4810104-001	CR22	DIODE, ZENER, 18V, ±5%, 500MW, (1N5248)
51	1	1	1		4810104-004	CR23	DIODE, ZENER, 2.4V, ±5%, 500MW, (1N5221B)
52	1	1	1		4810102-013	CR24	DIODE, ZENER, 7.5V, ±5%, 400MW, (1N755A)
53	-	-	-		5210010-006	F1, F2, F3	FUSE, CARTRIDGE, GLASS, 1/2Amp, 250V, AGC

PARTS LIST		HARRIS COMPUTER SYSTEMS DIVISION		CONTRACT NO.	CODE IDENT.	1510309	REVISION
TITLE: P. C. ASSEMBLY, POWER FAIL SHUTDOWN/RESTART				AUTHENTICATION	REV. AUTH. NO.	SHEET 6	OF 9
ITEM NO.	QTY.	ROD.	CODE IDENT.	HARRIS REFERENCE NO.	PART NUMBER	REFERENCE DESIGNATION	DESCRIPTION
67	-	-	-		4710501-207	R13, R14, R59, R75, R77, R13, R59, R75, R77	RESISTOR, 100K, ±5%, 1/4W
68	-	-	-		4710600-501	R17, R20	RESISTOR, 100K, ±1%, 1/8W
69	-	-	-		4710501-183	R19, R42, R43, R44, R45, R62, R73, R19, R44, R45, R62, R73	RESISTOR, 10K, ±5%, 1/4W
70	-	-	-		4710501-204	R22, R23	RESISTOR, 75K, ±5%, 1/4W
71	-	-	-		4710501-255	R24, R26, R28, R29, R26, R29	RESISTOR, 10 MEGOHMS, ±5%, 1/4W
72	-	-	-		4710501-191	R25, R27, R52, R53, R36, R57, R58, R67, R69, R70, R72, R79, R81, R27, R52, R53, R56, R57, R58, R67, R69, R70, R72, R79, R81	RESISTOR, 22K, ±5%, 1/4W
73	-	-	-		4710600-451	R30, R33, R78, R33, R78,	RESISTOR, 33.2K, ±1%, 1/8W
74	-	-	-		4710600-452	R31, R34	RESISTOR, 34.8K, ±1%, 1/8W

PARTS LIST			HARRIS COMPUTER SYSTEMS DIVISION		CONTRACT NO.	CODE IDENT.	1510309	REVISION	D
TITLE					AUTHENTICATION		REV. AUTH. NO.	SHEET	7
P. C. ASSEMBLY, POWER FAIL SHUTDOWN/RESTART								OF	9
ITEM NO.	QTY. REQ.			CODE IDENT.	HARRIS REFERENCE NO.	PART NUMBER	REFERENCE DESIGNATION	DESCRIPTION	
	903	902	901						
75	-	-	2			4710600-534	R32, R35 R35	RESISTOR, 221K, ±1%, 1/8W	
76	-	-	4			4710501-181	R35, R37, R38, R39 R35, R37	RESISTOR, 8.2K, ±5%, 1/4W	
77	-	-	4			4710501-198	R40, R41, R46, R47, R46, R47	RESISTOR, 43K, ±5%, 1/4W	
78	-	-	2			4710600-510	R48, R51 R51	RESISTOR, 124K, ±1%, 1/8W	
79	-	-	2			4710501-234	R49, R50 R49	RESISTOR, 1.3MEG OHMS, ±5%, 1/4W	
80	1	1	1			4710710-429	R54	RESISTOR, FIXED, WW, RS, 35 Ohms, ±5%, 3W	
81	1	1	1			4710503-147	R55	RESISTOR, 330 Ohms, ±5%, 1W	
82	1	1	1			4710501-135	R60	RESISTOR, 100 Ohms, ±5%, 1/4W	
83	1	1	1			4710501-159	R61	RESISTOR, 1K, ±5%, 1/4W	
84	2	2	2			4710502-135	R63, R64	RESISTOR, 100 Ohms, ±5%, 1/2W	
85	2	2	2			4710503-137	R65, R71	RESISTOR, 120 Ohms, ±5%, 1W	
86	2	2	2			4710501-169	R66, R68	RESISTOR, 2.7K, ±5%, 1/4W	
87	1	1	1			4710501-187	R74	RESISTOR, 15K, ±5%, 1/4W	
88									

CSD/BBB

PARTS LIST			HARRIS COMPUTER SYSTEMS DIVISION		CONTRACT NO.	CODE IDENT.	1510309	REVISION	D
TITLE					AUTHENTICATION		REV. AUTH. NO.	SHEET	8
P. C. ASSEMBLY, POWER FAIL SHUTDOWN/RESTART								OF	9
ITEM NO.	QTY. REQ.			CODE IDENT.	HARRIS REFERENCE NO.	PART NUMBER	REFERENCE DESIGNATION	DESCRIPTION	
	903	902	901						
89	1	1	1			4710501-214	R76	RESISTOR, 200K, ±5%, 1/4W	
90	1	1	1			4710501-201	R80	RESISTOR, 56K, ±5%, 1/4W	
91									
92									
93									
94									
95	1	1	1			6410001-043	U1	INTEGRATED CIRCUIT (78L12)	
96	1	1	1			6410001-044	U2	(79L12)	
97	1	1	1			6410001-041	U3	(LM329)	
98	1	1	1			6410001-040	U4	(LM224)	
99	1	1	1			6410001-038	U5	(3302)	
100	-	-	2			6210002-001	U6, U7 U7	(11CT6) (11CT6)	
101	-	-	2			6410001-042	U9, U10 U10	(556) (556)	
102	1	1	1			6410001-039	U12	(7812)	
103	1	1	1			6410004-007	U13	(4066)	
104	5	5	5			6410004-004	U14, U15, U22, U24 U25	(74C74) (74C74)	
105	2	2	2			6410004-001	U16, U19	(74C00)	
106	2	2	2			6410004-008	U17, U23	(4528)	
107	1	1	1			6410004-006	U18	INTEGRATED CIRCUIT (74C221)	

PARTS LIST			HARRIS COMPUTER SYSTEMS DIVISION		CONTRACT NO.	CODE IDENT.	1510309	REVISION	D
TITLE					AUTHENTICATION		REV. AUTH. NO.	SHEET	9
P. C. ASSEMBLY, POWER FAIL SHUTDOWN/RESTART								OF	9
ITEM NO.	QTY. REQ.			CODE IDENT.	HARRIS REFERENCE NO.	PART NUMBER	REFERENCE DESIGNATION	DESCRIPTION	
	903	902	901						
108	1	1	1			6410004-010	U20	INTEGRATED CIRCUIT (74C20)	
109	1	1	1			6410004-009	U21	INTEGRATED CIRCUIT (74C04)	
110									
111									
112	1	1	1			6610017-001		LABEL, MOS HANDLING PRECAUTIONS	
113	AR	AR	AR			3710010-001		ADHESIVE, SEALANT, (RTV)	
114									
115									
116									
117									
118									
119									
120	X	X	X			0270302		SCHEMATIC DIAG., POWER FAIL SHUTDOWN/ RESTART	

CSD/BBB

PARTS LIST		HARRIS COMPUTER SYSTEMS DIVISION		CONTRACT NO.	CODE IDENT.	1510313	REVISION
				29436			C
TITLE: P. C. ASSEMBLY, MOS DATA SAVE				AUTHENTICATION	WT. 3-11-77 3-11-77 K.H. Hoffman 3-11-77	REV. AUTH. NO.	SHEET 1 OF 5
REVISIONS							
LTR	DESCRIPTION	DATE	APPROVED				
A	ECP0477C222-3 REV 0, CHANGE RES. VALUE ITEM 68 4-21-77	4-21-77	H. Pickering				
B	ECP0677C342-5 REV 0, 7-27-77	7-27-77	H. Pickering				
C	ECP1077C550-15 REV 0, 12-30-77	12-30-77	H. Pickering				

THIS SHEET SHALL BE USED AS TITLE SHEET FOR RECORDING OF REVISIONS.

PARTS LIST		HARRIS COMPUTER SYSTEMS DIVISION		CONTRACT NO.	CODE IDENT.	1510313	REVISION		
				29436			C		
TITLE: P. C. ASSEMBLY, MOS DATA SAVE				AUTHENTICATION		REV. AUTH. NO.	SHEET 3 OF 5		
ITEM NO.	QTY.	ROD.	902	901	CODE IDENT.	HARRIS REFERENCE NO.	PART NUMBER	REFERENCE DESIGNATION	DESCRIPTION
34	2	2					4210001-239	C6, C12	CAP., CERAMIC, 1MED, ±20%, 50V
35	-	2					4210002-261	C7, C9	CAP., FIXED MICA, 1000pF, ±10%, 100V
36	1	1					4210029-309	C11	CAP., ALUM.ELECTR., 330MFD, +75-10%, 25V
37	1	1					4210029-513	C13	CAP., ALUM.ELECTR., 100MFD, +75-10%, 50V
38	1	1					4210029-403	C14	CAP., ALUM.ELECTR., 220MFD, +75-10%, 35V
41	2	2					4810004-002	CR1, CR2	DIODE, RECTIFIER, 1 AMP, 100V, (1N4002)
42	4	4					4810101-001	CR3, CR4, CR9, CR10	DIODE, PWR RECT, STD RCVY, 3AMP, 100V(MR501)
43	5	5					4810001-002	CR5, CR6, CR7, CR8, CR12	DIODE, RECT., FAST RCVY, 1AMP, 100V(1N4934)
44	1	1					4810006-001	CR11	DIODE, GENERAL PURPOSE SIGNAL
46	1	1					3910103-001	DS1	DIODE, LIGHT EMITTING, RED, RT. ANGLE
48	1	1					5210010-006	F1	FUSE, CARTRIDGE, GLASS, .5 AMP, 250V, AGC
49	1	1					5210010-014	F2	FUSE, CARTRIDGE, GLASS, .5 AMP, 250V, AGC
50	1	1					5210010-012	F3	FUSE, CARTRIDGE, GLASS, .3 AMP, 250V, AGC
51	1	1					4510007-003	K1	RELAY, S.P.D.T., P.C. MOUNT, 5 AMP, 12V

PARTS LIST		HARRIS COMPUTER SYSTEMS DIVISION		CONTRACT NO.	CODE IDENT.	1510313	REVISION		
				29436			C		
TITLE: P. C. ASSEMBLY, MOS DATA SAVE				AUTHENTICATION		REV. AUTH. NO.	SHEET 5 OF 5		
ITEM NO.	QTY.	ROD.	902	901	CODE IDENT.	HARRIS REFERENCE NO.	PART NUMBER	REFERENCE DESIGNATION	DESCRIPTION
72	1	1					4710730-002	R21	RESISTOR, FIXED, NS, .2 OHMS, ±1%, .5W
73	1	1					4710730-003	R22	RESISTOR, FIXED, NS, .25 OHMS, ±1%, .5W
74	-	1					4710501-149	R25	RESISTOR, .390 OHMS, ±5%, 1/4W
75	-	1					4710600-339	R26	RESISTOR, FIXED FILM, 2.49K, ±1%, 1/8W
76	-	1					4710600-296	R27	RESISTOR, FIXED FILM, 976 OHMS, ±1%, 1/8W
77	-	1					4710600-329	R28	RESISTOR, FIXED FILM, 1.96K, ±1%, 1/8W
78	1	1					4710502-135	R31	RESISTOR, 100 OHMS ±5%, 1/2W
79	1	1					5610006-001	T1	TRANSFORMER, INVERTER
80	-	1					6410001-020	U1	INTEGRATED CIRCUIT (75451)
81	-	3					6410001-505	U2, U3, U4	(723)
82	1	1					6410001-505	U2	(723)
82	1	1					6410001-045	U5	INTEGRATED CIRCUIT (311)
90	-	X					0970313		SCHEM. DIAG., MOS DATA SAVE (MASTER MOD)
	X	-							SCHEM. DIAG., MOS DATA SAVE (EXP. MODULE)

PARTS LIST		HARRIS COMPUTER SYSTEMS DIVISION		CONTRACT NO.	CODE IDENT.	1510313	REVISION		
				29436			C		
TITLE: P. C. ASSEMBLY, MOS DATA SAVE				AUTHENTICATION		REV. AUTH. NO.	SHEET 2 OF 5		
ITEM NO.	QTY.	ROD.	902	901	CODE IDENT.	HARRIS REFERENCE NO.	PART NUMBER	REFERENCE DESIGNATION	DESCRIPTION
1	-	X					1570313		P.C. ASSY., MOS DATA SAVE(MASTER MODULE)
2	X	-					1570313		P.C. ASSY., MOS DATA SAVE(EXP. MODULE)
3							7070313-001		P.W. BOARD, DRILL&DIM., MOS DATA SAVE
4	1	1					2810123-107		SCREW, PAN HD; PHIL #6-32X.500" LONG
5	4	4					2810123-405		SCREW, PAN HD; PHIL #4-40X.375" LONG
8	2	2					2810101-002		WASHER, FLAT, SM, PAT, #4
9	2	2					3110037-001		WASHER, SPRINGS, #4
10	4	4					2810013-001		WASHER, RECTANGULAR
11	2	2					2810093-002		NUT, HEX, #4-40
12	4	4					2810132-001		NUT, SWAGE, #6-32, .250"RD x .125" LONG
14	1	1					2730000-001		HEAT SINK, 3.75" x 2.00"
15	1	1					2730000-002		HEAT SINK, 3.75" x 4.85"
17	14	14					2115012-001	E1 THRU E5, E8 THRU E14, E16, E17	TERMINAL, FASTON, 110 SERIES
19	6	6					5210110-001	F1, F2, F3	CLIP, FUSE, P.C. MOUNT
21	2	2					2810205-004		STRAP, RUBBER, ELECTR, TIE DOWN, 4" LONG
22	1	1					3710011-016		TUBING, EXTRUDED TEFLON
23	AR	AR					3610104-001		SILICONE GREASE
24	7	7					3110017-002		MICA INSULATOR, TRANSISTOR
25	-	1					2115010-001	J1	HEADER, STRAIGHT, DBL ROW, 2 POS
29	2	2					4210029-206	C1, C4	CAP., ALUM.ELECTR., .470 MFD, +75-10%, 16V
31	2	2					4210030-001	C2, C10	CAP., ALUM.ELECTR., .7100 MFD, +75-10%, 25V
32	-	2					4210001-227	C3, C8	CAP., CERAMIC .01 ±20%, 50V
33	1	-					4210001-227	C3	CAP., CERAMIC .01 ±20%, 50V
	1	1					4210029-306	C5	CAP., ALUM.ELECTR., 100MFD, +75-10%, 25V

PARTS LIST		HARRIS COMPUTER SYSTEMS DIVISION		CONTRACT NO.	CODE IDENT.	1510313	REVISION		
				29436			C		
TITLE: P. C. ASSEMBLY, MOS DATA SAVE				AUTHENTICATION		REV. AUTH. NO.	SHEET 4 OF 5		
ITEM NO.	QTY.	ROD.	902	901	CODE IDENT.	HARRIS REFERENCE NO.	PART NUMBER	REFERENCE DESIGNATION	DESCRIPTION
53	2	2					4910000-102	Q1, Q2	TRANSISTOR, SILICON, CTL, NPN, (MJE224)
54	3	3					4910014-001	Q3, Q6, Q8	TRANSISTOR, NPN, DARLINGTON, (2N6386)
55	3	3					4910013-001	Q4, Q5, Q7	TRANSISTOR, NPN, POWER, (2N6102)
56									
57									
58	1	1					4710502-144	R1	RESISTOR, 240 OHMS, ±5%, 1/2W
59	1	1					4710732-377	R2	RESISTOR, FIXED, NS, .3 OHMS, ±1%, 2.5W
60	-	4					4710600-312	R3, R4, R5, R23	RESISTOR, FIXED FILM, 1.3K, ±1%, 1/8W
61	1	1					4710600-312	R3, R4, R5	RESISTOR, FIXED FILM, 1.3K, ±1%, 1/8W
61	1	1					4710600-373	R6	RESISTOR, FIXED FILM, 5.62K, ±1%, 1/8W
62	1	1					4710501-159	R7	RESISTOR, 1K, ±5%, 1/4W
63	3	3					4710501-152	R8, R9, R16	RESISTOR, 510 OHMS, ±5%, 1/4W
64	2	2					4710502-143	R10, R30	RESISTOR, 220 OHMS, ±5%, 1/2W
65	1	1					4710501-127	R11	RESISTOR, 47 OHMS, ±5%, 1/4W
66	2	2					4710502-121	R12, R13	RESISTOR, 27 OHMS, ±5%, 1/2W
67	2	2					4710502-556	R14, R15	RESISTOR, 1.6 OHMS, ±5%, 1/2W
68	1	1					4710503-118	R17	RESISTOR, 20 OHMS, ±5%, 1W
69	1	1					4710501-121	R18	RESISTOR, 27 OHMS, ±5%, 1/4W
70	1	1					4710501-166	R19	RESISTOR, 2K, ±5%, 1/4W
71	-	3					4610012-004	R20, R24, R29	RESISTOR, VAR., CERMET, 1K, ±10%, 1/2W
	1	-					4610012-004	R20	RESISTOR, VAR., CERMET, 1K, ±10%, 1/2W

PARTS LIST		HARRIS COMPUTER SYSTEMS DIVISION		CONTRACT NO.	CODE IDENT.	1510322	REVISION
TITLE: P. C. ASSEMBLY, +5V & +12V CLAMP				29436	1510322	A	SHEET 1 OF 3
AUTHENTICATION: K.H. HOFFMAN 3-11-77				REV. AUTH. NO.			
REVISIONS				DATE			
LTR	DESCRIPTION	DATE	APPROVED				
A	REV. PER ECP1077C549-6	11-14-77	H. Hoffm				
THIS SHEET SHALL BE USED AS TITLE SHEET FOR RECORDING OF REVISIONS.							

PARTS LIST		HARRIS COMPUTER SYSTEMS DIVISION		CONTRACT NO.	CODE IDENT.	1510322	REVISION
TITLE: P. C. ASSEMBLY, +5V & +12V CLAMP				29436	1510322	A	SHEET 3 OF 3
ITEM NO.	QTY.	ROD.	CODE IDENT.	HARRIS REFERENCE NO.	PART NUMBER	REFERENCE DESIGNATION	DESCRIPTION
32	1		901		4710600-283	R1	RESISTOR, 715 OHM, ±1%, 1/8W
33	2				4710502-159	R2, R18	RESISTOR, 1K OHM, ±5%, 1/2W
34	3				4710501-152	R3, R10, R15	RESISTOR, 510 OHM, ±5%, 1/4W
35	1				4710502-160	R4	RESISTOR, 1.1K OHM, ±5%, 1/2W
36	3				4710502-135	R5, R12, R13	RESISTOR, 100 OHM, ±5%, 1/2W
37	1				4710504-132	R6	RESISTOR, 75 OHM, ±5%, 2W
38	1				4710600-272	R7	RESISTOR, 549 OHM, ±1%, 1/8W
39	1				4710502-176	R8	RESISTOR, 5.1K OHM, ±5%, 1/2W
40	1				4710502-146	R9	RESISTOR, 300 OHM, ±5%, 1/2W
41	2				4710504-111	R11, R14	RESISTOR, 10 OHM, ±5%, 2W
42	1				4710600-244	R16	RESISTOR, FIXED FILM, 280 ohms ±1%, 1/8W
43	2				6410001-045	ULU2	INTEGRATED CIRCUIT (311)
44	X				0950322		SCHEMATIC DIAG., +5V & +12V CLAMP
45	1				4710600-284	R17	RESISTOR, FIXED FILM, 931 ohms ±1%, 1/8W

PARTS LIST		HARRIS COMPUTER SYSTEMS DIVISION		CONTRACT NO.	CODE IDENT.	1510322	REVISION
TITLE: P. C. ASSEMBLY, +5V & +12V CLAMP				29436	1510322	A	SHEET 2 OF 3
ITEM NO.	QTY.	ROD.	CODE IDENT.	HARRIS REFERENCE NO.	PART NUMBER	REFERENCE DESIGNATION	DESCRIPTION
1		X			1570322		P.C. ASSEMBLY, +5V & +12V CLAMP
2							
3							
4	1				7070322-001		P.W. BOARD, DRILL & DIM., +5V & +12V CLAMP
5							
6	1				3230133-001		ANGLE (CLAMP)
7							
8	8				2810123-107		SCREW, PAN HD., PHIL., #6-32 x .500" LONG
9							
10							
11							
12	8				3110037-005		WASHER, SPRING #6
13	6				2810101-005		WASHER, FLAT, SM. PAT., #6
14	2				2810013-001		WASHER, RECTANGULAR
15	8				2810208-002		NUT, HEX, #6-32
16	5				2810132-001		NUT, SWAGE, #6-32 .250" RD x .125" LONG
17							
18	10	IN			3710011-016		TUBING, EXTRUDED TEFLON
19							
20	AR				3610104-001		GREASE, SILICONE
21	3				3110017-001		TRANSISTOR INSULATOR (MICA)
22	2				3110017-002		TRANSISTOR INSULATOR (MICA)
23							
24	1				4210000-028	C1	CAP., CERAMIC DISC, 1000pf, ±10%, 100V
25							
26	1				4810105-006	CR1	DIODE, ZENER, 5.1V, ±5%, 400MW, (1N5323)
27	3				4810006-001	CR2, CR3, CR4	DIODE, GEN PURPOSE, SIG., (1N4148)
28							
29	2				4910016-001	Q2, Q3	TRANSISTOR, PNP POWER (2N6110)
30	3				4910015-001	Q1, Q4, Q5	TRANSISTOR, NPN POWER (2N3771)
31	1				4910013-001	Q6	TRANSISTOR, NPN, POWER (2N6102)

PARTS LIST		HARRIS COMPUTER SYSTEMS DIVISION		CONTRACT NO.	CODE IDENT	1510334	REVISION
TITLE				AUTHENTICATION		REV. AUTH. NO.	SHEET 1 OF 12
P. C. ASSEMBLY, CPU-1							
REVISIONS							
LTR	DESCRIPTION	DATE	APPROVED				
A	ECP077C382-3, REV. 0 Add Item 139 to Parts List	11-27-77	[Signature]				
B	ECP0977C485-3 Change Part # to -902 on Items 90, 92 thru 100, 103, 105 thru 114 & 132	11-27-77	[Signature]				
C	ECP0977C531-17 Add Item 150 to Parts List.	11-27-77	[Signature]				
D	ECP1177C639-3, Items 94, 96 & 132, Change From -902 to -903	12-7-77	[Signature]				
E	ECP1177C640-3, Item 101, Qty. from 1 to 2, Item 134, Change Part No. (released simultaneously) 7-6-12-77	12-7-77	[Signature]				
F	ADDED DASH-902	12-21-77	[Signature]				

THIS SHEET SHALL BE USED AS TITLE SHEET FOR RECORDING OF REVISIONS.

PARTS LIST		HARRIS COMPUTER SYSTEMS DIVISION		CONTRACT NO.	CODE IDENT	1510334	REVISION	
TITLE				AUTHENTICATION		REV. AUTH. NO.	SHEET 3 OF 12	
P. C. ASSEMBLY, CPU-1								
ITEM NO.	QTY. REQ.	902	901	CODE IDENT	HARRIS REFERENCE NO.	PART NUMBER	REFERENCE DESIGNATION	DESCRIPTION
29	1	1				2110011-007	U277	SOCKET, LOW PROFILE, SOLDER TAIL, 24 PIN
30	6	6				2110011-009	U169, U170, U221, U222, U273, U274	SOCKET, LOW PROFILE, SOLDER TAIL, 40 PIN
33	40	40				4210001-352	C1, C2, C3, C4, C5, C7, C8, C9, C10, C11, C12, C13, C14, C15, C16, C17, C18, C19, C20, C26, C27, C28, C29, C30, C31, C32, C33, C35, C36, C37, C38, C40, C41, C42, C43, C44, C45, C46, C47, C108	CAP., CERAMIC, .01 MFD, ± 20%, 50V
34	83	83				4210001-239	C25, C34, C39, C48, C53, C54, C55, C56, C57, C58, C59, C60, C61, C62, C63, C64, C65, C66, C67, C68, C69, C70, C71, C72, C73, C74, C75, C76, C77, C78, C79, C80, C81, C82, C83, C84, C85, C86, C87, C88, C89, C90, C91, C92, C93, C94, C95, C97, C98, C99, C100, C101, C102, C103, C104, C105	CAP., CERAMIC, 0.1 MFD, ± 20%, 50V

PARTS LIST		HARRIS COMPUTER SYSTEMS DIVISION		CONTRACT NO.	CODE IDENT	1510334	REVISION	
TITLE				AUTHENTICATION		REV. AUTH. NO.	SHEET 5 OF 12	
P. C. ASSEMBLY, CPU-1								
ITEM NO.	QTY. REQ.	902	901	CODE IDENT	HARRIS REFERENCE NO.	PART NUMBER	REFERENCE DESIGNATION	DESCRIPTION
44	2	2				4710501-153	R18, R22	RESISTOR, 560 OHMS, ±5%, 1/4W
47	5	5				4710008-003	R211, R214, R220, R221, R2319	RESISTOR NETWORK (DIL), 1K OHMS
48	1	1				4710007-002	R222	RESISTOR NETWORK, (DIL), 100 OHMS
50	9	9				6410000-207	U1, U7, U8, U27, U28, U39, U42, U51, U57	INTEGRATED CIRCUIT (74LS00) (74LS00) (74LS00)
51	2	2				6410000-007	U2, U10	(7408)
52	24	24				6410000-195	U3, U4, U15, U16, U17, U18, U19, U62, U283, U285, U295, U297, U298, U299, U300, U302, U303, U304, U305, U311, U312, U313, U314, U318	(74S240) (74S240) (74S240) (74S240) (74S240) (74S240) (74S240) (74S240)
53	3	3				6410000-026	U5, U156, U209	(7474)
54	4	4				6410000-211	U6, U33, U38, U61	INTEGRATED CIRCUIT (74LS10)

PARTS LIST		HARRIS COMPUTER SYSTEMS DIVISION		CONTRACT NO.	CODE IDENT	1510334	REVISION	
TITLE				AUTHENTICATION		REV. AUTH. NO.	SHEET 2 OF 12	
P. C. ASSEMBLY, CPU-1								
ITEM NO.	QTY. REQ.	902	901	CODE IDENT	HARRIS REFERENCE NO.	PART NUMBER	REFERENCE DESIGNATION	DESCRIPTION
1	1		X			1570334-901		P.C. ASSY., CPU-1
2	1		X			1570334-902		P.C. ASSY., CPU-1 (CORE MEMORY)
3	1	1				7070334-001		P.W. BOARD, DRILL & DIM., CPU-1
4	1	1				3210112-001		BRACKET GUIDE, P.C.
5	1	1				1230102-901		STIFFENER ASSY, P.C. BOARD
6	1	1				3610007-001		STIFFENER, P.C. BOARD
7	4	4				2810011-101		EYELET, FLAT FLANGE, .692" LONG
8	4	4				2810011-002		EYELET, ROLLED FLANGE, .375" LONG
9	2	2				2810011-003		EYELET, ROLLED FLANGE, .187" LONG
10	1	1				2210103-003	WP1 THRU WP4	TERMINAL PIN
11	2	2				2115010-025	J1, J2	HEADER, DBL ROW, 50 POS.
12	1	1				2110003-010	J3	CONNECTOR, DBL ROW, RT. ANGLE POST, 20 POS.
13	8	8				3510000-001		BUSHING, SHOULDER, NYLON
14	4 IN. 4 IN.					3710007-005		TUBING, HEAT SHRINKABLE, .187" DIA
15	2 IN. 2 IN.					3710007-001		TUBING, HEAT SHRINKABLE, .046" DIA
16								
17								
18								
19								
20								
21								
22								
23								
24								
25								
26								
27								
28	28	28				2110011-003	U12, U68, U97, U107, U108, U109, U110, U111, U112, U113, U114, U115, U116, U117, U118, U135, U137, U138, U139, U140, U141, U142, U143, U144, U145, U146, U229, U269	SOCKET, LOW PROFILE, SOLDER TAIL, 16 PIN

PARTS LIST		HARRIS COMPUTER SYSTEMS DIVISION		CONTRACT NO.	CODE IDENT	1510334	REVISION	
TITLE				AUTHENTICATION		REV. AUTH. NO.	SHEET 4 OF 12	
P. C. ASSEMBLY, CPU-1								
ITEM NO.	QTY. REQ.	902	901	CODE IDENT	HARRIS REFERENCE NO.	PART NUMBER	REFERENCE DESIGNATION	DESCRIPTION
34	3	3				4210001-239	C106, C107, C109, C110, C111, C112, C113, C114, C115, C116, C117, C118, C119, C120, C121, C122, C123, C124, C125, C126, C127, C128, C129, C130, C131, C132, C133	CAP., CERAMIC, 0.1 MFD, ± 20%, 50V
35	8	8				4210024-001	C21, C22, C23, C24, C49, C50, C51, C52	CAP., CERAMIC DISC, 100pf, ±10%, 1KV
36	1	1				4210001-011	C95	CAP., CERAMIC, 470 pf, ±20%, 50V
37	2	2				4210003-233	C134, C135	CAP., TANT, ELECTR, 100 MFD, ±20%, 15V
38	1	1				4210001-353	C6	CAP., CERAMIC, 0.1 MFD, ± 20%, 50V
39								
40								
41	24	24				4710501-159	R1, R2, R3, R4, R5, R6, R7, R8, R9, R11, R12, R13, R14, R15, R17, R19, R20, R21, R23, R24, R25, R26, R27, R28	RESISTOR, 1K OHMS, ± 5%, 1/4W
42	1	1				4710501-127	R10	RESISTOR, 47 OHMS, ±5%, 1/4W
43	1	1				4710501-183	R16	RESISTOR, 10K OHMS, ±5%, 1/4W

PARTS LIST		HARRIS COMPUTER SYSTEMS DIVISION		CONTRACT NO.	CODE IDENT	1510334	REVISION	
TITLE				AUTHENTICATION		REV. AUTH. NO.	SHEET 6 OF 12	
P. C. ASSEMBLY, CPU-1								
ITEM NO.	QTY. REQ.	902	901	CODE IDENT	HARRIS REFERENCE NO.	PART NUMBER	REFERENCE DESIGNATION	DESCRIPTION
55	11	11				6410000-097	U9, U79, U92, U106, U125, U130, U133, U158, U175, U235, U236	INTEGRATED CIRCUIT (74S32) (74S32) (74S32) (74S32)
56	1	1				6311037-901	U12	TTL P/BOM (7603)
57	1	1				6311117-901	U12	TTL P/BOM (7603)
58	1	1				6410000-011	U13	(7414)
59	1	1				6410000-212	U23	(74LS27)
60								
61	2	2				6410000-203	U26, U55	(74376)
62	3	3				6410000-173	U29, U35, U60	(74273)
63	6	6				6410000-110	U30, U147, U155, U174, U207, U239	(74S138) (74S138)
64	2	2				6410000-210	U31, U40	(74LS08)
65	4	4				6410000-214	U32, U36, U41, U43	(74LS74) (74LS74)
66	4	4				6410000-217	U34, U37, U63, U64	(74LS153) (74LS153)
67	1	1				6410000-101	U44	(74S51)
68	6	6				6410000-196	U45, U295, U301, U306, U320, U321	(74S241) (74S241) (74S241) (74S241)

PARTS LIST		HARRIS COMPUTER SYSTEMS DIVISION			CONTRACT NO.	CODE IDENT.	1510334	REVISION	F
TITLE				AUTHENTICATION		REV. AUTH. NO.	SHEET 7 OF 12		
ITEM NO.	QTY. ROD.		CODE IDENT.	HARRIS REFERENCE NO.	PART NUMBER	REFERENCE DESIGNATION	DESCRIPTION		
	902	901							
69	10	10			6410000-089	U46, U154, U157, U164, U176, U187, U220, U240, U266, U271	INTEGRATED CIRCUIT	(74S04)	
70	5	5			6410000-095	U47, U183, U203, U206, U294		(74S20)	
71	1	1			6410000-209	U48		(74LS04)	
72	17	17			6410000-091	U49, U66, U77, U80, U93, U100, U120, U127, U128, U193, U194, U212, U230, U243, U262, U270, U290		(74S08)	
73	19	19			6410000-086	U50, U70, U96, U126, U159, U160, U165, U177, U178, U199, U204, U205, U211, U238, U241, U242, U261, U289, U293		(74S00)	
74	1	1			6410000-213	U52		(74LS32)	
76	10	10			6410000-104	U53, U65, U161, U201, U208, U210, U213, U232, U237, U263		(74S24)	
77	4	4			6410000-216	U54, U95, U99, U149	INTEGRATED CIRCUIT	(74LS138)	

PARTS LIST		HARRIS COMPUTER SYSTEMS DIVISION			CONTRACT NO.	CODE IDENT.	1510334	REVISION	F
TITLE				AUTHENTICATION		REV. AUTH. NO.	SHEET 9 OF 12		
ITEM NO.	QTY. ROD.		CODE IDENT.	HARRIS REFERENCE NO.	PART NUMBER	REFERENCE DESIGNATION	DESCRIPTION		
	902	901							
89	-	1			6311040-901	U107	INTEGRATED CIRCUIT, TTL P/ROM	(7611)	
90	-	1			6311120-901	U107	TTL P/ROM	(7611)	
91	-	1			6311041-902	U108	TTL P/ROM	(7611)	
92	-	1			6311119-901	U108	TTL P/ROM	(7611)	
93	-	1			6311042-901	U109	TTL P/ROM	(7611)	
94	-	1			6311145-901	U109	TTL P/ROM	(7611)	
95	-	1			6311043-902	U110	TTL P/ROM	(7644)	
96	-	1			6311121-901	U110	TTL P/ROM	(7644)	
97	-	1			6311044-902	U111	TTL P/ROM	(7644)	
98	-	1			6311122-901	U111	TTL P/ROM	(7644)	
99	-	1			6311045-903	U112	TTL P/ROM	(7644)	
100	-	1			6311123-901	U112	TTL P/ROM	(7644)	
101	-	1			6311046-902	U113	TTL P/ROM	(7644)	
102	-	1			6311124-901	U113	TTL P/ROM	(7644)	
103	-	1			6311047-903	U114	TTL P/ROM	(7644)	
104	-	1			6311125-901	U114	TTL P/ROM	(7644)	
105	-	1			6311048-902	U115	TTL P/ROM	(7644)	
106	-	1			6311126-901	U115	TTL P/ROM	(7644)	
107	-	1			6311049-902	U116	TTL P/ROM	(7644)	
108	-	1			6311127-901	U116	TTL P/ROM	(7644)	
109	-	1			6311050-902	U117	TTL P/ROM	(7644)	
110	-	1			6311128-901	U117	TTL P/ROM	(7644)	
111	-	1			6311051-902	U118	TTL P/ROM	(7644)	
112	-	1			6311129-901	U118	TTL P/ROM	(7644)	
113	2	2			6410000-087	U25, U122		(74S02)	
114	6	6			6410000-114	U124, U129, U134, U267, U268, U291		(74S157)	
115	-	1			6311052-902	U135	TTL P/ROM	(7621)	
116	-	1			6311130-902	U135	TTL P/ROM	(7621)	
117	10	10			6410000-092	U136, U151, U162, U163, U184, U185, U186, U188, U226, U264		(74S10)	
118	-	1			6311053-902	U137	INTEGRATED CIRCUIT, TTL P/ROM	(7611)	
119	-	1			6311131-901	U137	INTEGRATED CIRCUIT, TTL P/ROM	(7611)	

PARTS LIST		HARRIS COMPUTER SYSTEMS DIVISION			CONTRACT NO.	CODE IDENT.	1510334	REVISION	F
TITLE				AUTHENTICATION		REV. AUTH. NO.	SHEET 11 OF 12		
ITEM NO.	QTY. ROD.		CODE IDENT.	HARRIS REFERENCE NO.	PART NUMBER	REFERENCE DESIGNATION	DESCRIPTION		
	902	901							
121	4	4			6410000-102	U173, U198, U225, U250	INTEGRATED CIRCUIT	(74S64)	
122	4	4			6410000-112	U179, U181, U195, U256		(74S151)	
123	1	1			6410000-215	U189		(74LS123)	
124	5	5			6410000-107	U190, U214, U215, U216, U217		(74S113)	
125	1	1			6410000-098	U192		(74S37)	
126	-	1			6311063-901	U229	TTL P/ROM	(7603)	
127	-	3			6311141-901	U229	TTL P/ROM	(7603)	
128	2	2			6410000-045	U231, U258, U284		(74174)	
129	2	2			6410000-175	U233, U234		(74S169)	
130	1	1			6410000-105	U245		(74S86)	
131	1	1			6410000-111	U265		(74S140)	
132	-	1			6311064-903	U269	TTL P/ROM	(7611)	
133	2	2			6311143-901	U269	TTL P/ROM	(7611)	
134	-	1			6410000-119	U275, U276		(74S182)	
135	-	1			6311003-901	U277	TTL P/ROM	(7641)	
136	2	2			6410000-041	U278		(74161)	
137	2	2			6410000-096	U288, U292		(74S30)	
138	1	1			6410000-099	U308	INTEGRATED CIRCUIT	(74S38)	

PARTS LIST		HARRIS COMPUTER SYSTEMS DIVISION			CONTRACT NO.	CODE IDENT.	1510334	REVISION	F
TITLE				AUTHENTICATION		REV. AUTH. NO.	SHEET 8 OF 12		
ITEM NO.	QTY. ROD.		CODE IDENT.	HARRIS REFERENCE NO.	PART NUMBER	REFERENCE DESIGNATION	DESCRIPTION		
	902	901							
78	2	2			6410000-035	U56, U59	INTEGRATED CIRCUIT	(74148)	
79	1	1			6410000-198	U58		(74S85)	
80	3	3			6410000-226	U67, U69, U98		(74LS279)	
81	-	1			6311038-901	U68	TTL P/ROM	(7611)	
82	-	1			6311144-901	U68	TTL P/ROM	(7611)	
83	21	21			6410000-093	U71, U78, U153, U168, U247, U310		(74S11)	
84	7	7			6410000-178	U72, U74, U91, U94, U102, U104, U119, U121, U132, U200, U202, U227, U228, U252, U253, U254, U260, U279, U281, U282, U309		(74S153)	
85	3	3			6410000-193	U75, U101, U131		(74S163)	
86	2	2			6410000-065	U81, U244		(74H21)	
87	12	12			6410000-200	U82, U83, U84, U85, U86, U87, U88, U89, U90, U251, U257, U280		(74S374)	
88	-	1			6311039-901	U97	INTEGRATED CIRCUIT, TTL P/ROM	(7611)	
89	-	1			6311118-901	U97	INTEGRATED CIRCUIT, TTL P/ROM	(7611)	

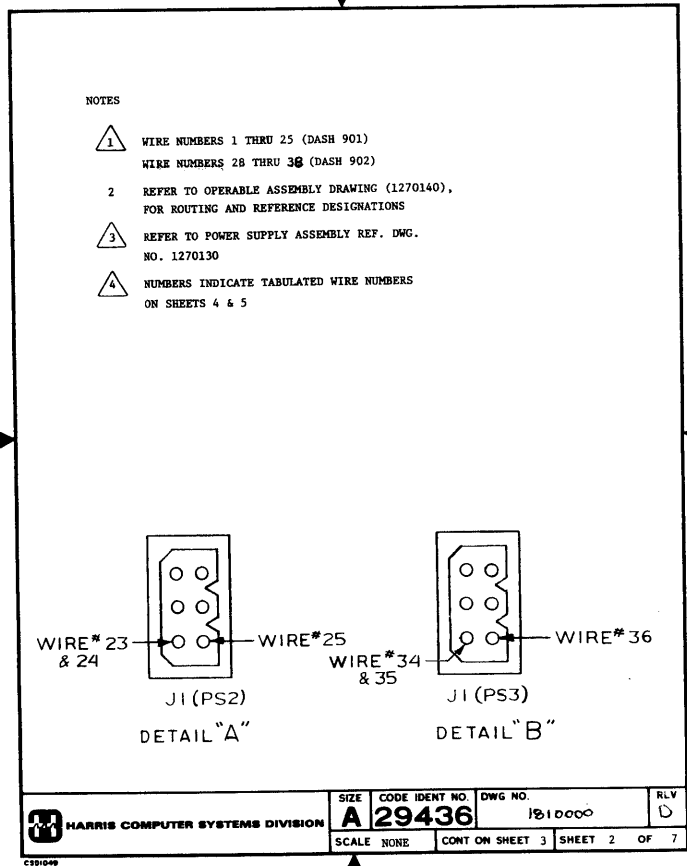
PARTS LIST		HARRIS COMPUTER SYSTEMS DIVISION			CONTRACT NO.	CODE IDENT.	1510334	REVISION	F
TITLE				AUTHENTICATION		REV. AUTH. NO.	SHEET 10 OF 12		
ITEM NO.	QTY. ROD.		CODE IDENT.	HARRIS REFERENCE NO.	PART NUMBER	REFERENCE DESIGNATION	DESCRIPTION		
	902	901							
106	-	1			6311054-902	U138	INTEGRATED CIRCUIT, TTL P/ROM	(7644)	
107	-	1			6311132-901	U138	TTL P/ROM	(7644)	
108	-	1			6311055-902	U139	TTL P/ROM	(7644)	
109	-	1			6311133-901	U139	TTL P/ROM	(7644)	
110	-	1			6311056-902	U140	TTL P/ROM	(7644)	
111	-	1			6311057-902	U141	TTL P/ROM	(7644)	
112	-	1			6311135-901	U141	TTL P/ROM	(7644)	
113	-	1			6311058-902	U142	TTL P/ROM	(7644)	
114	-	1			6311136-901	U142	TTL P/ROM	(7644)	
115	-	1			6311059-902	U143	TTL P/ROM	(7644)	
116	-	1			6311137-901	U143	TTL P/ROM	(7644)	
117	-	1			6311060-902	U144	TTL P/ROM	(7644)	
118	-	1			6311138-901	U144	TTL P/ROM	(7644)	
119	-	1			6311061-902	U145	TTL P/ROM	(7644)	
120	-	1			6311139-901	U145	TTL P/ROM	(7644)	
121	-	1			6311062-902	U146	TTL P/ROM	(7644)	
122	-	1			6311140-901	U146	TTL P/ROM	(7644)	
123	2	2			6410000-004	U148, U150		(7404)	
124	5	5			6410000-117	U152, U255, U259, U286, U287		(74S175)	
125	3	3			6410000-204	U167, U219, U246		(74125)	
126	6	6			6410003-003	U169, U170, U221, U222, U273, U274		(2901)	
127	4	4			6410000-205	U171, U196, U223, U248		(93S16)	
128	4	4			6410000-184	U172, U197, U224, U249	INTEGRATED CIRCUIT	(74S258)	

PARTS LIST		HARRIS COMPUTER SYSTEMS DIVISION			CONTRACT NO.	CODE IDENT.	1510334	REVISION	F
TITLE				AUTHENTICATION		REV. AUTH. NO.	SHEET 12 OF 12		
ITEM NO.	QTY. ROD.		CODE IDENT.	HARRIS REFERENCE NO.	PART NUMBER	REFERENCE DESIGNATION	DESCRIPTION		
	902	901							
138	3	3			6410000-202	U315, U316, U317	INTEGRATED CIRCUIT	(74S373)	
139	1	1			6410001-009	U307	INTEGRATED CIRCUIT	(75121/8F13)	
140									
141									
142									
143									
144									
145									
146									
147	1	1			2310000-015	Y191	OSCILLATOR, 33.333 MHz		
148									
149	1 FT	1 FT			6010108-006		WIRE, TEFLON INSUL. SOLID BLUE, #30 AWG		
150	X	X			0210110		CONTROL DOCUMENT		
151	X	X			0970334-901		LOGIC DIAGRAM, CPU-1		
					0970334-902		LOGIC DIAGRAM, CPU-1		

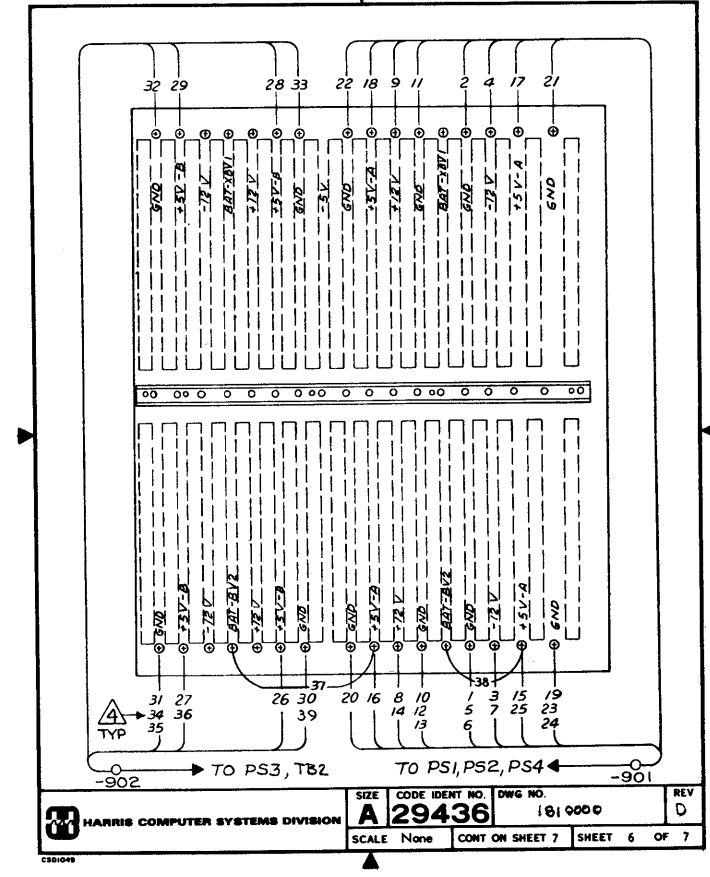
PARTS LIST		HARRIS COMPUTER SYSTEMS DIVISION		CONTRACT NO.	CODE IDENT.	1810000	REVISION	D																				
TITLE:		WIRE SCHEDULE (D.C. CABLE) SLASH 6, 18 POSITION		AUTHENTICATION	29436	1-2-77	SHEET 1	OF 7																				
<p>THIS SHEET SHALL BE USED AS TITLE SHEET FOR RECORDING OF REVISIONS.</p> <table border="1"> <thead> <tr> <th>LTR</th> <th>DESCRIPTION</th> <th>DATE</th> <th>APPROVED</th> </tr> </thead> <tbody> <tr> <td>A</td> <td>ECP0277C19-2 REV0 ARN #3077 REV PER ECP</td> <td>1-2-77</td> <td>[Signature]</td> </tr> <tr> <td>B</td> <td>ECP0677C069-15 REV0 CHGD. TITLE & NOTE A</td> <td>8-28-77</td> <td>[Signature]</td> </tr> <tr> <td>C</td> <td>ECP1077C0697-4 CHGD. P/L & UPDATE SHTS 3, 325</td> <td>12-11-77</td> <td>[Signature]</td> </tr> <tr> <td>D</td> <td>ECP1177C673-4 BOTH DONE SIMULTANEOUSLY</td> <td></td> <td></td> </tr> </tbody> </table>									LTR	DESCRIPTION	DATE	APPROVED	A	ECP0277C19-2 REV0 ARN #3077 REV PER ECP	1-2-77	[Signature]	B	ECP0677C069-15 REV0 CHGD. TITLE & NOTE A	8-28-77	[Signature]	C	ECP1077C0697-4 CHGD. P/L & UPDATE SHTS 3, 325	12-11-77	[Signature]	D	ECP1177C673-4 BOTH DONE SIMULTANEOUSLY		
LTR	DESCRIPTION	DATE	APPROVED																									
A	ECP0277C19-2 REV0 ARN #3077 REV PER ECP	1-2-77	[Signature]																									
B	ECP0677C069-15 REV0 CHGD. TITLE & NOTE A	8-28-77	[Signature]																									
C	ECP1077C0697-4 CHGD. P/L & UPDATE SHTS 3, 325	12-11-77	[Signature]																									
D	ECP1177C673-4 BOTH DONE SIMULTANEOUSLY																											

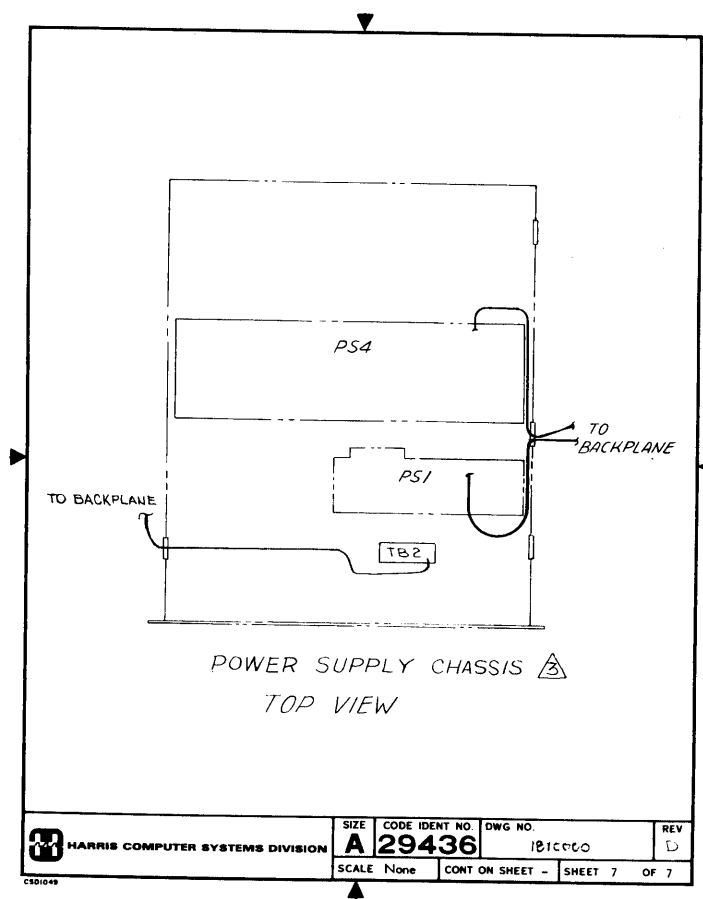
PARTS LIST		HARRIS COMPUTER SYSTEMS DIVISION		CONTRACT NO.	CODE IDENT.	1810000	REVISION	D
TITLE:		WIRE SCHEDULE (D.C. CABLE) SLASH 6, 18 POSITION		AUTHENTICATION	29436	REV. AUTH. NO.	SHEET 3	OF 7
ITEM NO.	QTY. REQ.	902	901	CODE IDENT.	HARRIS REFERENCE NO.	PART NUMBER	REFERENCE DESIGNATION	DESCRIPTION
1	-	X	-					THIS DWG.
2	-	X	-					THIS DWG.
3	-	-	-					
4	6 Ft.	22 Ft.				601017-001		CABLE, SHIELDED, TW PR. #20 AWG, PVC JKT
5	-	15 Ft.				601016-105		WIRE, IPVC INSUL., STRD, RED, #14 AWG
6	-	14 Ft.				601016-005		WIRE, IPVC INSUL., STRD, BLACK, #14 AWG
7	11 Ft.	11 Ft.				601016-101		WIRE, IPVC INSUL., STRD, RED, #10 AWG
8	11 Ft.	11 Ft.				601016-001		WIRE, IPVC INSUL., STRD, BLACK, #10 AWG
9	3 Ft.	4 Ft.				601016-501		WIRE, IPVC INSUL., STRD, GRN/YEL, #10 AWG
10	-	4				221014-003		TERM. LUG, CRIMP RING-TONGUE, RED, #8
11	-	3				221014-004		TERM. LUG, CRIMP RING-TONGUE, RED, #8
12	-	15				221014-012		TERM. LUG, CRIMP RING-TONGUE, BLUE, #8
13	-	2				221014-017		TERM. LUG, CRIMP RING-TONGUE, YEL, #8
14	-	9				221014-018		TERM. LUG, CRIMP RING-TONGUE, YEL, #6
15	4	4				221014-026		TERM. LUG, CRIMP RING-TONGUE, BLUE, #18
16	-	2				221014-020		TERM. LUG, CRIMP RING-TONGUE, YEL, 1/4
17	-	-				221015-004		QUICK DISCONNECT RECEPTACLE, 250 YELLOW

WIRE NO.	WIRE ITEM NO.	LENGTH IN INCHES	COLOR	E1 REF. TERM. ITEM NO.	E2 REF. TERM. ITEM NO.	E1 FROM	E2 TO	REMARKS
34		25	BLK	Conn. Supply	12		A3 GND	DOUBLE CRIMP P2 ONLY
35	4	25	DRAIN WIRE	With PS3		PS3J1	A3 GND	CUT DRAIN WIRE #35 AT P1
36		25	CLR		11		A3 + 5V	(SEE DETAIL "A")
37	5	65	RED	12	12	A3 + 5V	A3 + 5V	
38	5	4	RED	12	12	A3 + 5V	A3 + 5V	
39	9	38	GRN/YEL	17	14	T82	A3 GND	



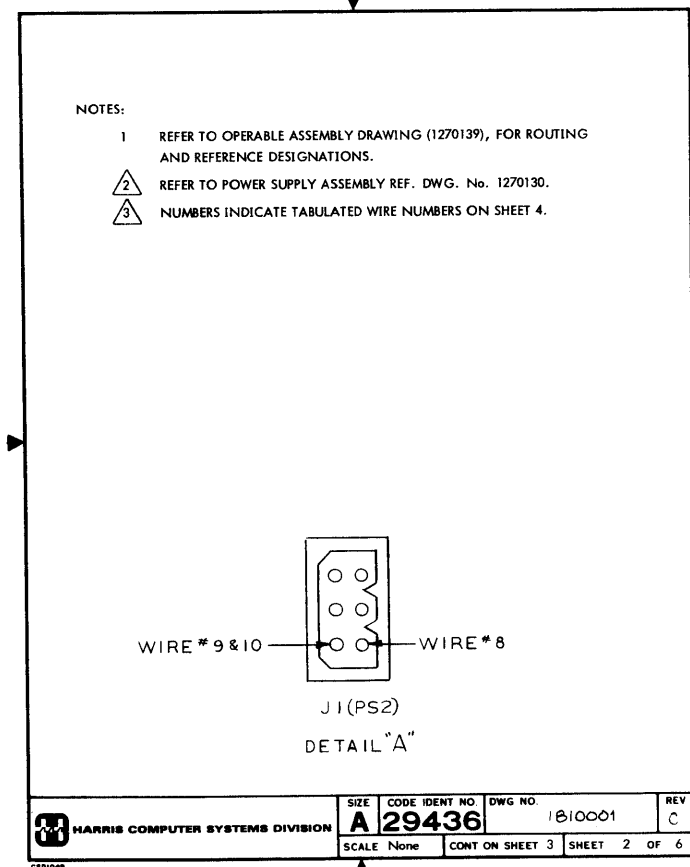
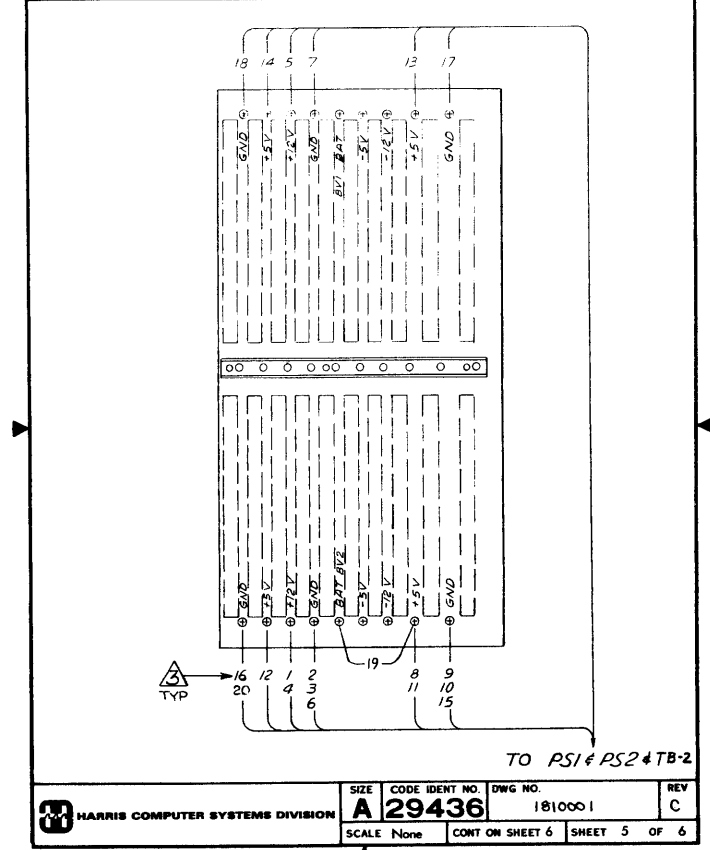
D.C. POWER								
WIRE NO.	WIRE ITEM NO.	LENGTH IN INCHES	COLOR	P1 REF. TERM. ITEM NO.	P2 REF. TERM. ITEM NO.	P1 FROM	P2 TO	REMARKS
1	6	31	BLK	13	12	PS1 + OUT	A3 GND	DOUBLE CRIMP P1 ONLY
2	6	48	BLK		12		A3 GND	
3	5	31	RED	13	12	PS1	A3 - 12V	
4	5	46	RED		12	- OUT	A3 - 12V	
5	30	30	BLK	10	12	PS1+S	A3 GND	DOUBLE CRIMP P2 ONLY
6	4	30	DRAIN WIRE					CUT DRAIN WIRE #6 AT P1
7	30	30	CLR	10	11	PS1-S	A3 - 12V	
8	5	34	RED		12	PS4+V	A3 + 12V	DOUBLE CRIMP P1 ONLY
9	5	52	RED	16	12		A3 + 12V	
10	6	34	BLK	16	12	PS4-V	A3 GND	
11	6	52	BLK	16	12		A3 GND	
12	34	34	BLK	10	12	PS4-S	A3 GND	DOUBLE CRIMP P2 ONLY
13	4	34	DRAIN WIRE					CUT DRAIN WIRE #13 AT P1
14	34	34	CLR	10	11	PS4+S	A3 + 12V	
15	7	20	RED	15	14	PS2+V	A3 + 5V	
16	7	25	RED	15	14		A3 + 5V	
17	7	39	RED	15	14	PS2+V	A3 + 5V	
18	7	44	RED	15	14		A3 + 5V	
19	8	20	BLK	15	14	PS2-V	A3 GND	DOUBLE CRIMP P1 ONLY
20	8	24	BLK	15	14		A3 GND	
21	8	38	BLK	15	14	PS2-V	A3 GND	
22	8	43	BLK	15	14		A3 GND	
23	4	22	BLK	Conn. Supply with PS2	12	PS2J1	A3 GND	DOUBLE CRIMP P2 ONLY
24	4	22	DRAIN WIRE					CUT DRAIN WIRE #24 AT P1
25	22	22	CLR		11		A3 + 5V	(SEE DETAIL "A")
26	7	27	RED	15	14	PS3+V	A3 + 5V	
27	7	23	RED	15	14		A3 + 5V	
28	7	41	RED	15	14	PS3+V	A3 + 5V	DOUBLE CRIMP P1 ONLY
29	7	47	RED	15	14		A3 + 5V	
30	8	28	BLK	15	14	PS3-V	A3 GND	
31	8	24	BLK	15	14		A3 GND	
32	8	42	BLK	15	14	PS3-V	A3 GND	
33	8	46	BLK	15	14		A3 GND	



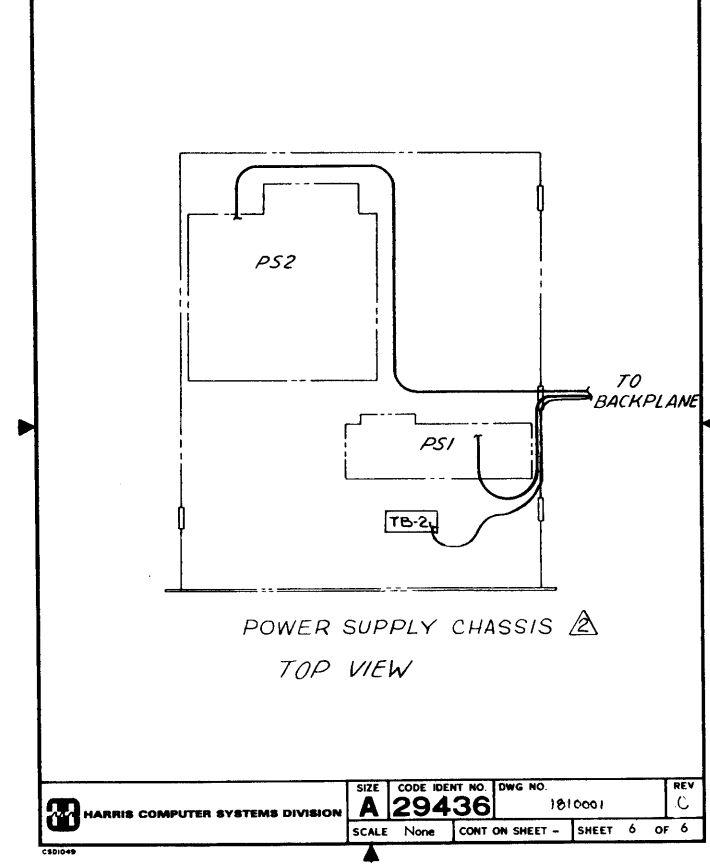


PARTS LIST		HARRIS COMPUTER SYSTEMS DIVISION		CONTRACT NO.	CODE IDENT	1810001	REVISION	C	
TITLE: WIRE SCHEDULE (DC CABLE) SLASH 6, 10 POSITION				AUTHENTICATION	REV. AUTH. NO.	SHEET 1	OF 6		
THIS SHEET SHALL BE USED AS TITLE SHEET FOR RECORDING OF REVISIONS.				REVISIONS		DATE	APPROVED		
				LTR	DESCRIPTION				
				A	EC0277C19-2 REV. O. REV PER ECP	11-18-77	[Signature]		
				B	REPAIR CHISEL	12-14-77	[Signature]		

PARTS LIST		HARRIS COMPUTER SYSTEMS DIVISION		CONTRACT NO.	CODE IDENT	1810001	REVISION	C
TITLE: WIRE SCHEDULE (DC CABLE) SLASH 6, 10 POSITION				AUTHENTICATION	REV. AUTH. NO.	SHEET 3	OF 6	
ITEM NO.	QTY	ROD	CODE IDENT	HARRIS REFERENCE NO.	PART NUMBER	REFERENCE DESIGNATION	DESCRIPTION	
1			901		THIS DWG		WIRE SCHEDULE (DC CABLE) SLASH 6, 10 POSITION	
2								
3								
4		21 FT.			601017-001		CABLE, SHIELDED, TW PR, #20 AWG, PVC JKT	
5		8 FT.			6010106-105		WIRE, TPVC INSUL., STRD, RED, #14 AWG	
6		8 FT.			6010106-005		WIRE, TPVC INSUL., STRD, BLK, #14 AWG	
7		21 FT.			6010106-101		WIRE, TPVC INSUL., STRD, RED, #10 AWG	
8		21 FT.			6010106-001		WIRE, TPVC INSUL., STRD, BLACK, #10 AWG	
9		13 FT.			2210104-003		WIRE, TPVC INSUL., STRD, RED, #14 AWG	
10		2			2210104-003		TERM. LUG, CRIMP RING-TONGUE, RED, #6	
11		2			2210104-004		TERM. LUG, CRIMP RING-TONGUE, RED, #8	
12		2			2210104-012		TERM. LUG, CRIMP RING-TONGUE, BLUE, #8	
13		2			2210104-017		TERM. LUG, CRIMP RING-TONGUE, YEL, #8	
14		2			2210104-018		TERM. LUG, CRIMP RING-TONGUE, YEL, #8	
15		4			2210104-026		TERM. LUG, CRIMP RING-TONGUE, BLUE, #16	
16		1			2210104-004		GRIPK DTS CONNECT TEST TABLE, 250 YELLOW	



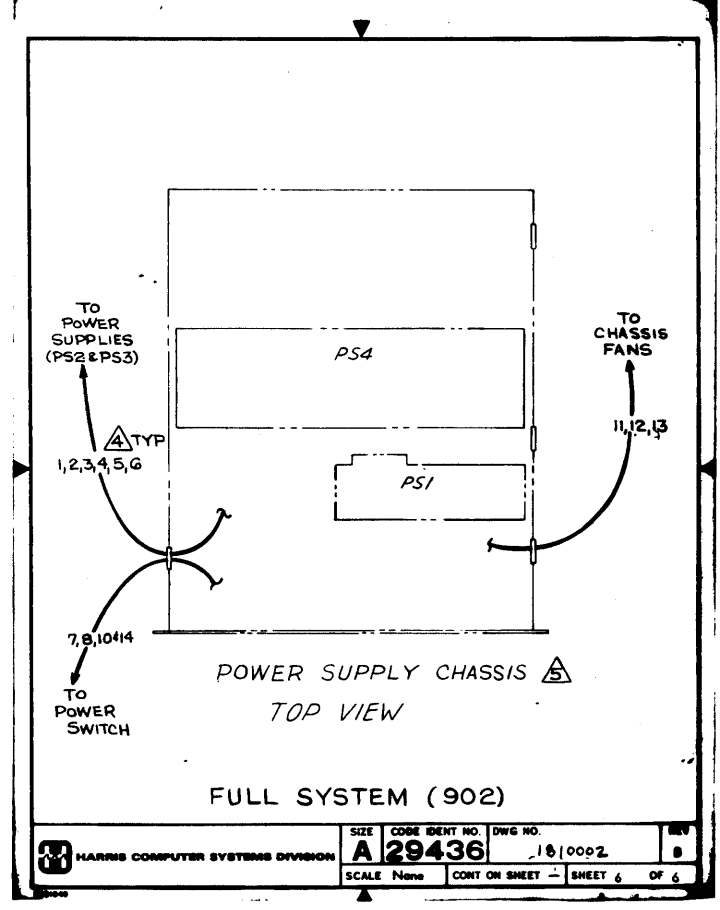
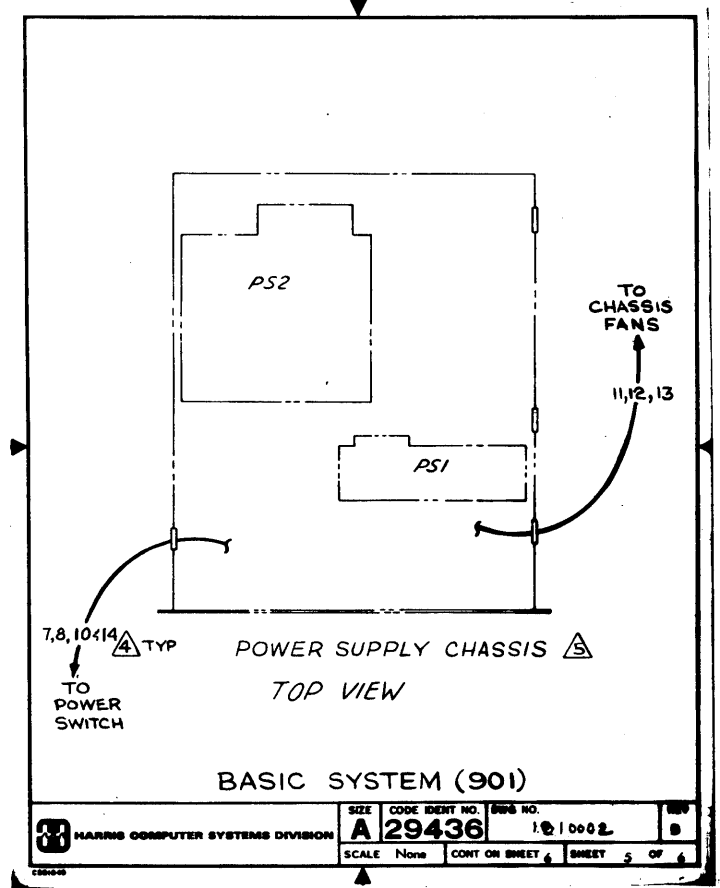
DC POWER									
WIRE NO.	WIRE ITEM NO.	LENGTH IN INCHES	COLOR	E1 REF. TERM. ITEM NO.	E2 REF. TERM. ITEM NO.	E1 FROM	E2 TO	REMARKS	
1	4	33	CLR	10	11	PS1+S	A3 +12V	DOUBLE CRIMP P2 ONLY. CUT DRAIN WIRE #3 AT P1	
2	4	33	BLK	10	12	PS1-S	A3 GND		
3	4	33	DRN	-	-	-	-	DOUBLE CRIMP P1 ONLY	
4	5	34	RED	13	12	PS1 + OUT	A3+12V		
5	5	51	RED	13	12	PS1 GND	A3 GND		
6	6	34	BLK	13	12	PS1 GND	A3 GND		
7	6	51	BLK	13	12	PS1 GND	A3 GND		
8	4	49	CLR	CONN. Supply with PS2	11	PS2J1	A3+5V	(SEE DETAIL "A") DOUBLE CRIMP P2 ONLY. CUT DRAIN WIRE #10 AT P1	
9	4	49	BLK	CONN. Supply with PS2	12	PS2J1	A3 GND		
10	4	49	DRN	CONN. Supply with PS2	-	-	-		
11	7	49	RED	15	14	PS2+S	A3+5V		
12	7	53	RED	15	14	PS2+S	A3+5V		
13	7	67	RED	15	14	PS2+S	A3+5V		
14	7	75	RED	15	14	PS2+S	A3+5V	DOUBLE CRIMP P1 ONLY	
15	8	49	BLK	15	14	PS2 GND	A3 GND		
16	8	53	BLK	15	14	PS2 GND	A3 GND		
17	8	67	BLK	15	14	PS2 GND	A3 GND		
18	8	71	BLK	15	14	PS2 GND	A3 GND		
19	5	4	RED	12	12	A3+5V	A3 Bv2		
20	9	38	GRN YEL	16	14	TB-2-4	A3 GND		



PARTS LIST		HARRIS COMPUTER SYSTEMS DIVISION		CONTRACT NO.	CODE IDENT.	REVISION
				29436	1810002	F
TITLE: WIRE LIST A.C. CABLING SLASH 6				AUTHENTICATION	REV. AUTH. NO.	SHEET 3 OF 6
REVISIONS						
LTR	DESCRIPTION	DATE	APPROVED			
A	ECP0377C156-1 REV. O, REV. SAT 12-3-74, 4-24-75	12/3/74	[Signature]			
B	ECP0377C165-4 REV. A, REV. PER ECP SHTS 3, 4, 5, 6 & 7 2-21-77	2/21/77	[Signature]			

THIS SHEET SHALL BE USED AS TITLE SHEET FOR RECORDING OF REVISIONS.

PARTS LIST		HARRIS COMPUTER SYSTEMS DIVISION		CONTRACT NO.	CODE IDENT.	REVISION	
				29436	1810002	B	
TITLE: WIRE LIST A.C. CABLING SLASH 6				AUTHENTICATION	REV. AUTH. NO.	SHEET 3 OF 6	
ITEM NO.	QTY.	ROD	CODE IDENT.	HARRIS REFERENCE NO.	PART NUMBER	REFERENCE DESIGNATION	DESCRIPTION
1	-	X				THIS DWG.	WIRE LIST A.C. CABLING SLASH 6
2	X	-				THIS DWG.	WIRE LIST A.C. CABLING SLASH 6
3							
4	7 FT	7 FT			6010106-307		WIRE, TPVC INSUL., STRD. WHITE, #18 AWG
5	7 FT	7 FT			6010106-007		BLACK, #18 AWG
6	7 FT	7 FT			6010106-107		RED, #18 AWG
7	8 FT	3 FT			6010106-305		WHITE, #14 AWG
8	6 FT	3 FT			6010106-005		BLACK, #14 AWG
9	10 FT	3 FT			6010106-505		GRN/YEL, #14 AWG
10	3 FT	-			6010106-105		WIRE, TPVC INSUL., STRD. RED, #14 AWG
11	7 FT	7 FT			6010106-229		WIRE, TPVC INSUL., STRD. BLK, #22 AWG
12							
13	8	8			2115015-001		QUICK DISC. RCPT., 250 SERIES, RED
14	12	6			2115015-003		QUICK DISC. RCPT., 250 SERIES, YELLOW
15	4	4			2115011-002		FASTON RECEPTACLE, 110 SERIES, NYLON TRSP.
16	1	1			2115011-005		FASTON RECEPTACLE, 110 SERIES, VINYL-BLUE
17							
18	6	-			2210101-101		TERM. LUG, SLTD. SPR. SPADE TONGUE #6
19	1	1			2115009-006		CONNECTOR, HOUSING, PLUG
20	3	3			2115009-401		CONNECTOR, HOUSING, SOCKET CONTACT



NOTES:

- SLASH 6 BASIC WIRE LIST (DASH 901) TO POSITION WIRE 1, 3, 5, 7 THRU 13
SLASH 6 FULL WIRE LIST (DASH 902) 18 POSITION WIRES 1 THRU 13
- REFER TO OPERABLE ASSEMBLY DRAWING (1270139) FOR ROUTING AND REFERENCE DESIGNATIONS

3 INSERT SOCKET CONTACTS (ITEM NO. 20) INTO PLUG (ITEM NO. 19) PER DETAIL "A".

4 NUMBERS INDICATE TABULATED WIRE NUMBERS ON SHEET 3

5 REFER TO POWER SUPPLY REF. DWG. NO. 1270130.

6 REFER TO PROGRAMMERS PANEL ASSY 19 RACK (1270153) FOR SWITCH TERMINATIONS.

PI
DETAIL "A"

A C POWER								
WIRE NO.	WIRE ITEM NO.	LENGTH IN INCHES	COLOR	P1 REF. TERM. ITEM NO.	P2 REF. TERM. ITEM NO.	P1 FROM	P2 TO	REMARKS
1	8	31	BLK	14	18	TB3-4	PS2-A	
2	10	25	RED	14	18	TB3-3	PS3-A	GROUP 902 ONLY
3	7	30	WHT	14	18	TB3-1	PS2-N	
4	7	24	WHT	14	18	TB3-1	PS3-N	GROUP 902 ONLY
5	9	42	GRN/YEL	14	18	TB2-3	PS2-G	
6	9	36	GRN/YEL	14	18	TB2-3	PS3-G	GROUP 902 ONLY
7	4	83	WHT	13	-	T1-5	S41-2	SOLDER AT S41-2
8	5	77	BLK	-	13	S41-5	TB3-8	SOLDER AT S41-5
9	5	2	BLK	-	-	S41-5	S41-10	SOLDER BOTH ENDS
10	6	77	RED	13	15	TB3-7	S41-1	SOLDER AT S41-1
11	8	41	BLK	14	20	TB3-9	P1	SEE DETAIL
12	7	36	WHT	14	20	TB2-1	P1	"A"
13	9	34	GRN/YEL	14	20	TB2-3	P1	
14	11	84	BLK	-	15	S41-6	CB1-NO	SOLDER AT S41-6

INTERIM CHANGE PACKAGE

DOCUMENT NUMBER: 0800004	DOCUMENT TITLE: SLASH 6 DRAWING MANUAL
------------------------------------	--

EFFECTIVITY (SERIAL & MODEL NO.):
4-18-78

ECO/ECP REFERENCE:
0378C168-2

REV. A
CHANGES PT. NO. OF ITEM 12
ON ECO 1510322
FROM: 3110037-005
TO: 3110018-002.
PT. NO. WAS CHANGED ON
PREVIOUS ECP.

DESCRIPTION OF CHANGE:

DLWG. 1510322-901
 REVISE DLWG AS SHOWN:

ADD:

ITEM	QTY	PART NO	DESCRIPTION
9	1	2810212-103	SCREW P/H #6-32X.375

CHANGE QTY.

	ITEM	QTY	PART NO	DESCRIPTION
FROM	12	8	3110037-005	WASHER SPRING #6
TO	12	9	3110037-005	WASHER SPRING #6
FROM	14	2	2810013-001	WASHER, RECT.
TO	14	3	2810013-001	WASHER, RECT.
FROM	15	8	2810208-002	NUT, HEX #6-32
TO	15	9	2810208-002	NUT, HEX #6-32

REV A
3110018-002
PART NO
3110037-005
3110037-005

INTERIM CHANGE PACKAGE

DOCUMENT NUMBER:

0800004

DOCUMENT TITLE:

SLASH 6 DRAWING MANUAL

EFFECTIVITY (SERIAL & MODEL NO.):

5-9-78

ECO/ECP REFERENCE:

0378C 238-10 (REV A)

(DELETES DESCRIPTION & LABEL CHANGE FOR -904 ON SI 1110171)

DESCRIPTION OF CHANGE:

DWG. 1270031 REV. L
REVISE AS SHOWN -

ALL GROUPS

ITEM 30, 6610130-001 LABEL UNIT ID

CHANGE QTY. ALL GROUPS

FROM: 1

TO: X

ITEM 40, 6630010-001 UL EQUIPMENT LABEL

CHANGE QTY. ALL GROUPS

FROM: 1

TO: X

DESCRIPTION OF CHANGE:

REV. B - CHANGES DWG. 1110223 REV. C TO REV. B



COMMUNICATIONS AND INFORMATION HANDLING

ICP NO:

78-510A

DATE:

2-1-78

INTERIM CHANGE PACKAGE

DOCUMENT NUMBER:

0800004-102

DOCUMENT TITLE:

SLASH 6 DRAWING MANUAL

EFFECTIVITY (SERIAL & MODEL NO.):

1-23-78

ECO/ECP REFERENCE:

0178 C047-3 REV. A

DESCRIPTION OF CHANGE:

DWG. 1510223 REV. F

REVISE DWG. AS FOLLOWS:

ITEM #24, CHANGE QTY. RQD ON 901, 2, & 3 FROM: 78 TO: 79

" " , CHANGE REF. DESG. FROM: C1 THRU C78 TO: C1 THRU C79

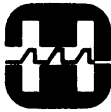
ITEM #29, CHANGE QTY. RQD ON 901, 2, & 3 FROM: ~~73~~ TO: ~~74~~

" " , CHANGE REF. DESG. FROM: ~~R1 THRU R13~~ TO: ~~R1 THRU R14~~

11 12
R1, R4 THRU 13

R1, R4 THRU 14

REV. A



ICP NO.:

78-511

DATE:

1-31-78

INTERIM CHANGE PACKAGE

DOCUMENT NUMBER:

0800004-102

DOCUMENT TITLE:

SLASH 6 DRAWING MANUAL

EFFECTIVITY (SERIAL & MODEL NO.):

2-24-78

ECO/ECP REFERENCE:

0178 C 018-2

DESCRIPTION OF CHANGE:

DWG. 1210131 REV. F
CHANGE: DASH 901

<u>ITEM #</u>	<u>QTY</u>	<u>PART NUMBER</u>	<u>DESCRIPTION</u>
14	1	325 0105 - 001	COVER, CABLE
<u>TO</u>			
<u>ITEM #</u>	<u>QTY</u>	<u>PART NUMBER</u>	<u>DESCRIPTION</u>
14	1	1250029-901	COVER, CABLE ASSY.

HARRIS



COMMUNICATIONS AND
INFORMATION HANDLING

ICP NO:

78-511A

DATE:

2-1-78

INTERIM CHANGE PACKAGE

DOCUMENT NUMBER:

0800004-102

DOCUMENT TITLE:

SLASH 6 DRAWING MANUAL

EFFECTIVITY (SERIAL & MODEL NO.):

2-24-78

ECO/ECP REFERENCE:

0178 C018-2 REV. A

DESCRIPTION OF CHANGE:

DELETE DWG. 3250105 FROM ECP PACKAGE
AND CHANGE REVISION OF DWG 1210131
FROM: F TO: E.

INTERIM CHANGE PACKAGE

DOCUMENT NUMBER:

0800004-102

DOCUMENT TITLE:

SLASH 6 DRAWING MANUAL

EFFECTIVITY (SERIAL & MODEL NO.):

2-1-78

ECO/ECP REFERENCE:

0178CD16-4

DESCRIPTION OF CHANGE:

DWG. 181000Z REV. C
UPDATE DWG.

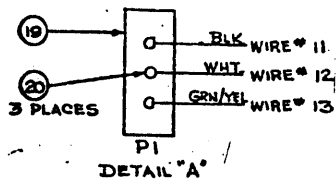
ADD BELOW NOTE TO SHEET 2 OF DRAWING.



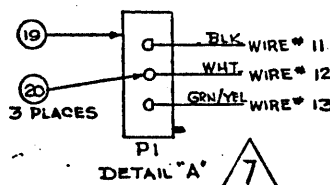
CONNECTOR VIEWED FROM WIRE SIDE

CHANGE DETAIL "A" ON SHEET 2 OF DRAWING

FROM:



TO:



INTERIM CHANGE PACKAGE (CONT.)

DESCRIPTION OF CHANGE:

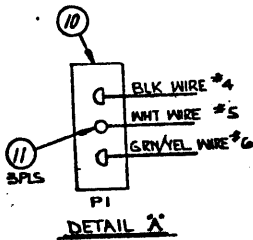
DWG. 1810004 REV. A
UPDATE DWG.

ADD BELOW NOTE TO SHEET 2 OF DRAWING:

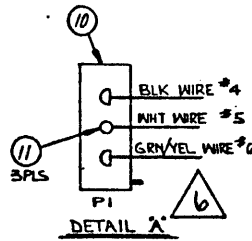
 CONNECTOR VIEWED FROM WIRE SIDE.

CHANGE DETAIL "A" ON SHEET 2 OF DRAWING:

FROM:



TO:



INTERIM CHANGE PACKAGE (CONT.)

DESCRIPTION OF CHANGE:

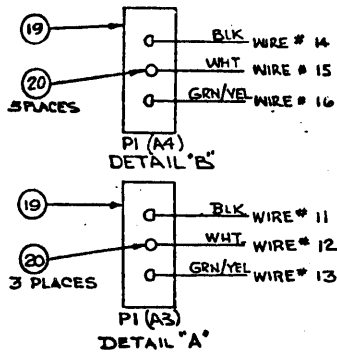
DWG. 1810009 REV. B
UPDATE DWG.

ADD -BELOW NOTE TO SHEET 2 OF DRAWING:

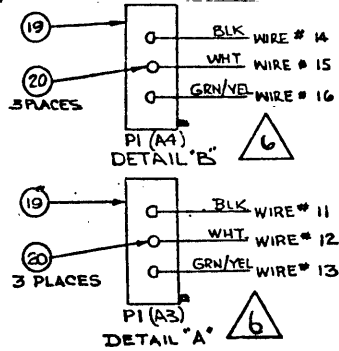
 CONNECTOR VIEWED FROM WIRE SIDE.

CHANGE DETAIL "A" ON SHEET 2 OF DRAWING

FROM:



TO:



INTERIM CHANGE PACKAGE (CONT.)

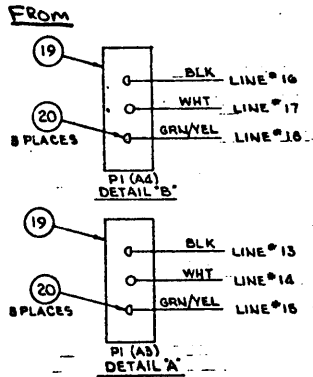
DESCRIPTION OF CHANGE:

DWG. 1810010 REV. A
UPDATE DWG.

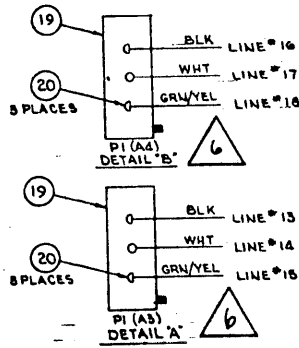
ADD BELOW NOTE TO SHEET 2 OF DRAWING:



CHANGE DETAIL "A" AND DETAIL "B" ON SHEET 2 OF DRAWING:



TO



INTERIM CHANGE PACKAGE

DOCUMENT NUMBER: 0800004-102	DOCUMENT TITLE: SLASH 6 DRAWING MANUAL
--	--

EFFECTIVITY (SERIAL & MODEL NO.):
2-1-78

ECO/ECP REFERENCE:
0178C016-4 REV. A

DESCRIPTION OF CHANGE:
**DWG. 1810009-REV. B - SHEET 2
REVISE DWG. AS SHOWN-**

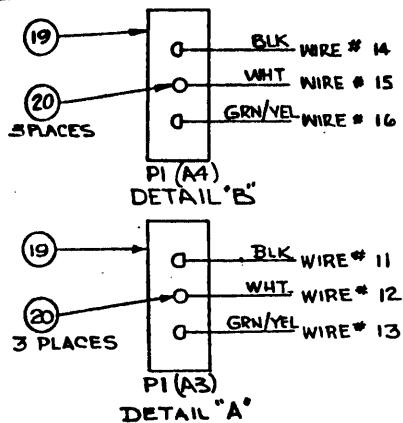
ADD BELOW NOTE TO SHEET 2 OF DRAWING:



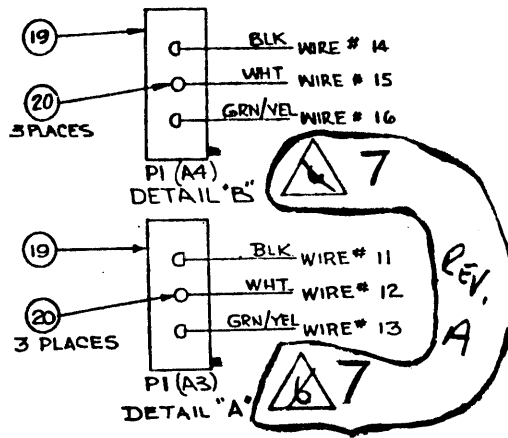
CONNECTOR VIEWED FROM WIRE SIDE.

CHANGE DETAIL 'A' ON SHEET 2 OF DRAWING.

FROM



TO:



INTERIM CHANGE PACKAGE

DOCUMENT NUMBER: 0800004-102	DOCUMENT TITLE: SLASH 6 DRAWING MANUAL
---------------------------------	---

EFFECTIVITY (SERIAL & MODEL NO.):
11-23-77

ECO/ECP REFERENCE:
1177C661-3 REV. A

DESCRIPTION OF CHANGE:
DWG 1570115 REV. N
REVISE RLC CHART

REVISION LEVEL CONTROL CHART														
APPLICABLE ASSY DASH NO.		- 901												
LOWEST USABLE ASSY LEVEL		X X X X X X X X X X X X X												
DWG NO.	TITLE	USABLE DRAWING REVISION												
THIS DWG	ASSEMBLY	A	B	C	D	E	F	G	H	J	K	L	M	N
1510115	PARTS LIST	A	B	C	D	E	F	F	F	G	G	H	H	I
7070115	DRILLE DIM	A	A	A	A	B	B	B	C	C	C	D	D	D
0970115	LOGIC DIAGRAM	-	A	A	B	C	C	D	E	F	G	H	H	I

(REV. A) ← (E, E)

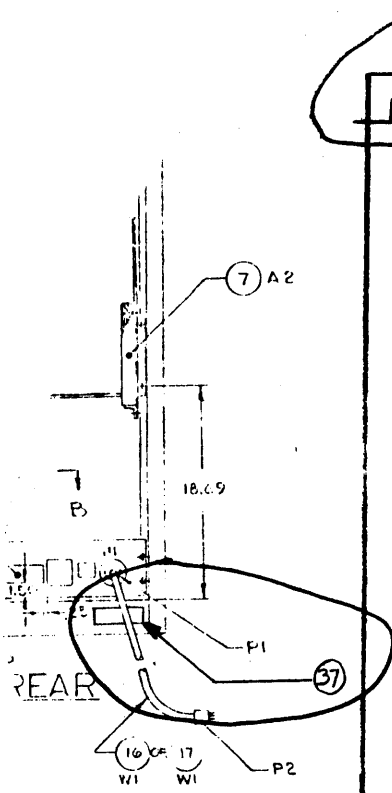
INTERIM CHANGE PACKAGE

DOCUMENT NUMBER: **0800004-102** DOCUMENT TITLE: **SLASH 6 DRAWING MANUAL**

EFFECTIVITY (SERIAL & MODEL NO.):
1-10-78

ECO/ECP REFERENCE:
0178C011-8 - REV. A

DESCRIPTION OF CHANGE:
**DWG 1270031 REV. G
ADD**



Rev. A

39 6610139-001 **CAUTION LABEL**

QTY	UNIT	ITEM NO.	PART NUMBER	REFERENCE DESIGNATION	DESCRIPTION
X	X	36	6610130-001		CAUTION LABEL
13	13	35	2810093-004		WASHER, FLAT #10
13	13	34	3110037-002		WASHER, SPRING #8
-	-	33	1830025-906	W6	CABLE ASSY. POWER FAIL (PW-BWN)
1	1	32	1930015-905	W5	CABLE ASSY. POWER FAIL (PW-BWN)
1	1	31	6610103-001		LABEL, DANGER HIGH VOLTAGE
X	X	30	6610130-001		LABEL, UNIT IDENT
		29			
26	24	28	2810031-007		WASHER, LOCKING TOOTH #10
24	24	27	2810211-006		WASHER, FLAT #10
24	24	26	2810102-004		WASHER, LOCKING TOOTH #8
24	24	25	2810212-005		SCREW, PHIL. PAN. HD. #10-32X.5
2	2	24	2810211-004		WASHER, FLAT #8
2	2	23	2810102-003		WASHER, LOCKING TOOTH #8
2	2	22	2810212-003		SCREW, PHIL. PAN. HD. #10-32X.5
		21			
1	1	20	1810002-901		CONN. TO REMOTE DIALING MODELS
		19			
1	1	18	1810001-901		CONNECTION POINT FOR REMOTE DIALING
-	-	17	1830022-901	W1	CABLE ASSY. POWER FAIL (PW-BWN)
1	1	16	1830023-901	W1	CABLE ASSY. POWER FAIL (PW-BWN)
1	1	15	1830024-902	W2	CABLE ASSY. POWER FAIL (PW-BWN)
1	1	14	1830025-904	W3	CABLE ASSY. POWER FAIL (PW-BWN)
1	1	13	1830027-903	W4	CABLE ASSY. POWER FAIL (PW-BWN)
1	1	12	1570023-901		P.C. ASSY. MOS MEMORY
1	1	11	1570024-901		P.C. ASSY. CPU
2	2	10	3210114-008		BRACKET, REAR PANEL
2	2	9	3210114-001		BRACKET, REAR PANEL
1	1	8	1270132-901	A3	CHASSIS ASSEMBLY (Rear Panel)
1	1	7	1270023-902	A2	SHIELD CAN (Rear Panel)
1	-	6	1270130-902	A1	POWER DIST. UNIT ASSY.
-	-	5	1270130-901	A1	POWER DIST. UNIT ASSY.
1	1	4	1270131-901		BACK ASSEMBLY
		3			
X	-	2	THIS ENG. 2		REAR PANEL (PW-BWN)
-	X	1	THIS ENG. 1		REAR PANEL (PW-BWN)

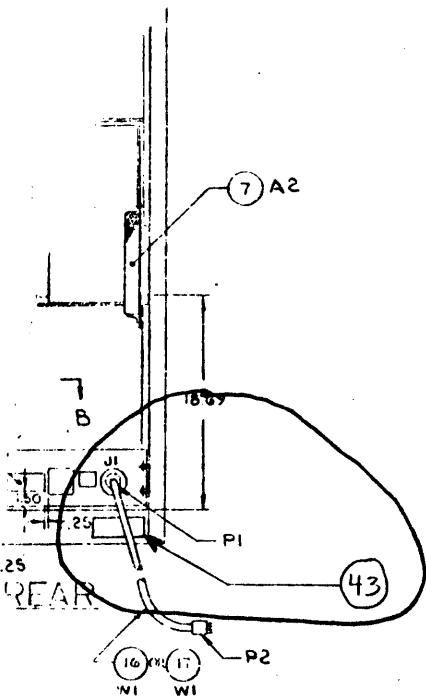
INTERIM CHANGE PACKAGE (CONT.)

DESCRIPTION OF CHANGE:

DWG. 1270031 REV G
ADD:

REV. A

11	45	6610139-001	CAUTION LABEL
----	----	-------------	---------------



QTY REQD.	ITEM NO.	PART NUMBER	REFERENCE DESIGNATION	DESCRIPTION
		13 13 41	3110037-002	NUT, HEX STANDARD # 6-32
		1 1 40	6010010-001	WASHER SPRING #6
		1 1 37	1550120-901	DE EQUIPMENT LABEL
		1 1 38	1570123-901	PC ASSY ADDRESS TRAP
		1 1 37	1570125-901	PC ASSY INTERNAL MEMORY (256VAR)
		1 1 36	1570121-901	PC ASSY USB
		1 1 35	1550113-901	PC ASSY BIOS
		1 1 34	1570115-901	PC ASSY INTERNAL TIMER
		1 1 33	1830036-901	PC ASSY OPTION BOARD
		1 1 32	1830025-905	PC ASSY OPT. MEMORY TO OPTION
		1 1 31	6610028-001	W6 CABLE ASSY. DNS FAIL. MASTER CLEAR LABEL. PANEL. HIGH VOLTAGE
		1 1 30	6610030-001	W5 LABEL. PANEL. IDENT
		1 1 29	6610103-002	W6 LABEL. PANEL. IDENT
		24 24 28	2810061-001	W5 LABEL. PANEL. IDENT
		24 24 27	2810011-001	W6 LABEL. PANEL. IDENT
		24 24 26	1510001-001	W5 LABEL. PANEL. IDENT
		24 24 25	1510012-001	W6 LABEL. PANEL. IDENT
		2 2 24	2810011-001	W5 LABEL. PANEL. IDENT
		2 2 23	2810012-001	W6 LABEL. PANEL. IDENT
		2 2 22	2810012-003	W5 LABEL. PANEL. IDENT
		1 1 21	1550119-901	W6 LABEL. PANEL. IDENT
		1 1 20	1810002-901	W5 LABEL. PANEL. IDENT
		1 1 19		
		1 1 18	1810001-501	CONDUCTOR / CONNECTOR DIAG. 10 POS. D.C. CABLE
		1 1 17	1830022-901	W6 CABLE ASSY. DNS CHASSIS AC LINE, 3 WIRE
		1 1 16	1870023-901	W5 CABLE ASSY. DNS CHASSIS & WIRE
		1 1 15	1830107-902	W6 LABEL. PANEL. IDENT
		1 1 14	1830125-904	W5 LABEL. PANEL. IDENT
		1 1 13	1870027-902	W6 LABEL. PANEL. IDENT
		3 3 12	1570123-901	PC ASSY. DNS FAIL. MASTER CLR
		1 1 11	1570123-901	PC ASSY. DNS FAIL. MASTER CLR
		1 1 10	1570134-901	PC ASSY. DNS FAIL. MASTER CLR
		1 1 9	320113-002	PC ASSY. DNS FAIL. MASTER CLR
		1 1 8	3210114-001	PC ASSY. DNS FAIL. MASTER CLR
		1 1 7	1270153-901	PC ASSY. DNS FAIL. MASTER CLR
		1 1 6	1270023-902	PC ASSY. DNS FAIL. MASTER CLR
		1 1 5	1270130-902	PC ASSY. DNS FAIL. MASTER CLR
		1 1 4	1270130-901	PC ASSY. DNS FAIL. MASTER CLR
		1 1 3	1270131-901	PC ASSY. DNS FAIL. MASTER CLR
		1 1 2	1270153-901	PC ASSY. DNS FAIL. MASTER CLR
		X - 2	THIS DWG-902	PC ASSY. DNS FAIL. MASTER CLR
		X - 1	THIS DWG-901	PC ASSY. DNS FAIL. MASTER CLR



ICP NO:

78-516

DATE:

2-1-78

INTERIM CHANGE PACKAGE

DOCUMENT NUMBER:

0800004-102

DOCUMENT TITLE:

SLASH 6 DRAWING MANUAL

EFFECTIVITY (SERIAL & MODEL NO.):

Z-6-78

ECO/ECP REFERENCE:

0178C057-1

DESCRIPTION OF CHANGE:

DWG. 127012Z REV. C
REVISE DWG. AS SHOWN:

PARTS LIST-ZONE B2

CHANGE FROM:

24	16	8	2810212-107	SCREW PHIL PH HD #6-32-3/4"
----	----	---	-------------	-----------------------------

TO:

24	16	8	2810212-108	SCREW PHIL PH HD #6-32-7/8"
----	----	---	-------------	-----------------------------

INTERIM CHANGE PACKAGE

DOCUMENT NUMBER: 0800004-102	DOCUMENT TITLE: SLASH 6 DRAWING MANUAL
--	--

EFFECTIVITY (SERIAL & MODEL NO.):
2-6-78

ECO/ECP REFERENCE:
0178C064-5

DESCRIPTION OF CHANGE:
**DWG. 1210128 REV. F
UPDATE DWG. AS SHOWN**

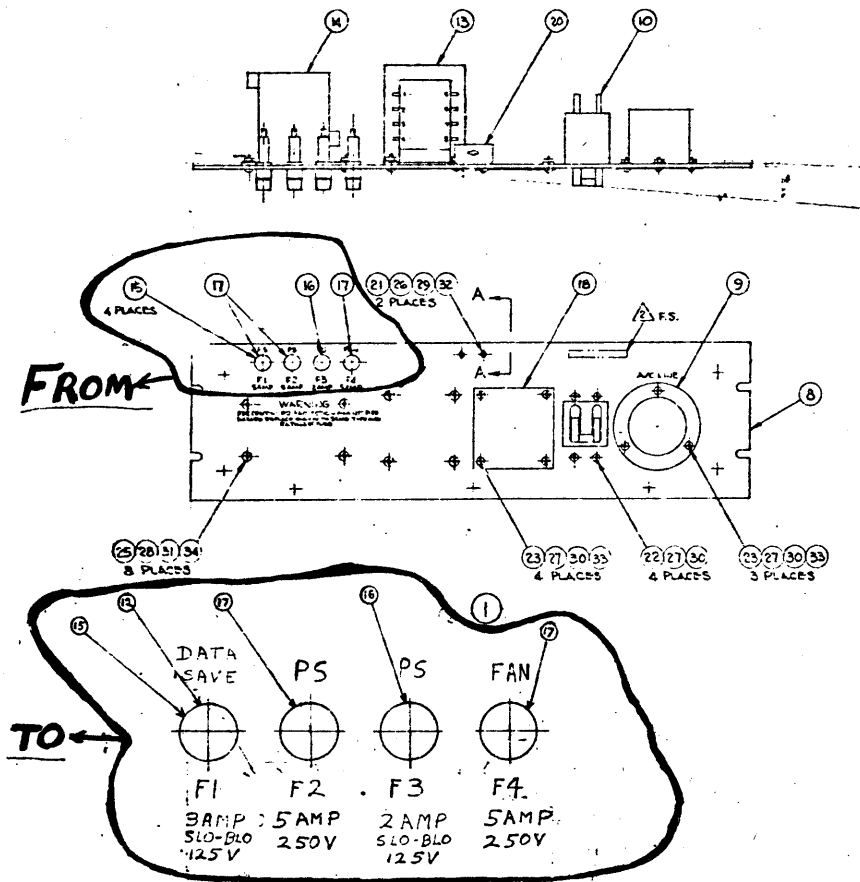
TITLE				AUTHENTICATION		REV. AUTH. NO.	SHEET 2
PANEL ASSY. POWER SUPPLY CHASSIS							OF 2
ITEM NO.	QTY. REQ.	CODE IDENT.	HARRIS REFERENCE NO.	PART NUMBER	REFERENCE DESIGNATION	ECP 0178C064-5 DESCRIPTION	
1		901		1270128-901		ASSY, FRONT PANEL, PWR. SPLY. CHASSIS	
2		X		1270128-902		ASSY, FRONT PANEL, PWR. SPLY. CHASSIS	
3							
4							
5							
6							
7							
8				3270112-001		PANEL FRONT, POWER SUPPLY	
9				2125004-101		PLUG, AC, TWIST LOCK, 30A, 125/230V	
10				5114001-005		CIRCUIT BREAKER, 30A	
11							
12				5210010-112		FUSE, 3ASB 125V CARTRIDGE GLASS	
13				5610003-004		TRANSFORMER, CONTROL, 115-230V, 50/60Hz	
14				4510006-001		RELAY, 40 AMPS AC, 3 POLE, N.O.	
15				5210111-001		FUSE HOLDER, 250V, 20A	
16				5210010-110		FUSE, 2 1/2" X 1 1/4" CARTRIDGE, GLASS, 2MID.	
17				5210010-011		FUSE, 5A, 250V CARTRIDGE, GLASS, 5A	
18				3230008-001		PLATE, COVER, ETM	
19							
20				2810129-201		RECEPTACLE, SIDE MOUNT, 1/4 TURN FAST.	
21				2810212-004		SCREW, PHIL, PAN HD, #4-40 X 7/16	
22				2810212-102		SCREW, PHIL, PAN HD, #6-32 X 5/16	
23				2810212-104		SCREW, PHIL, PAN HD, #6-32 X 7/16	
24				2810212-106			
25				2810212-205		SCREW, PHIL, PAN HD, #8-32 X 1/2	
26				2810102-001		WASHER, LOCK, INT. TOOTH #4	
27				2810102-002		WASHER, LOCK, INT. TOOTH #6	
28				2810102-003		WASHER, LOCK, INT. TOOTH #8	
29				2810211-002		WASHER, FLAT #4	
30				2810211-003		WASHER, FLAT #6	
31				2810211-004		WASHER, FLAT #8	
32				2810208-001		HEX NUT, STD, #4-40	
33				2810208-002		HEX NUT, STD, #6-32	
34				2810208-003		HEX NUT, STD, #8-32	
35							
36							
37							
38						1210128 2 of 2	

INTERIM CHANGE PACKAGE (CONT.)

DESCRIPTION OF CHANGE:

DWG. 1270128 REV. B

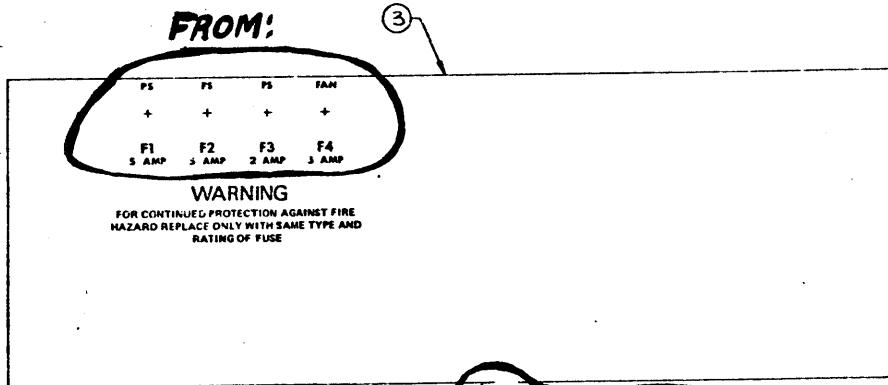
REVISE DWG AS SHOWN:



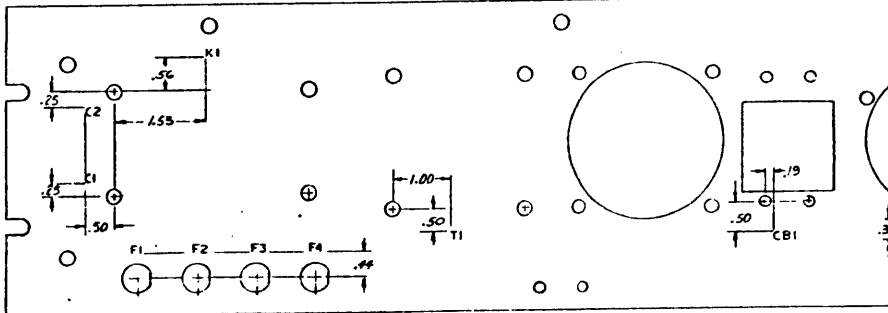
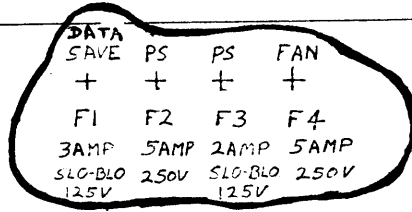
INTERIM CHANGE PACKAGE (CONT.)

DESCRIPTION OF CHANGE:

DWG. 3270112 REV. B
REVISE DWG. AS SHOWN:



To:



REAR VIEW OF PANEL FLIPPED 180°
STENCIL PS SHOWN SEE NOTE. ⚠

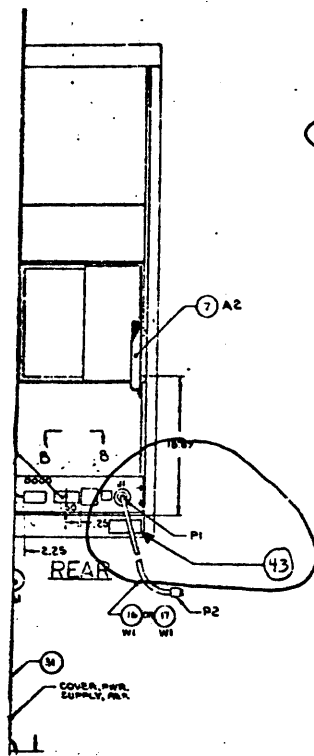
INTERIM CHANGE PACKAGE

DOCUMENT NUMBER: 0800004-102	DOCUMENT TITLE: SLASH 6 DRAWING MANUAL
--	--

EFFECTIVITY (SERIAL & MODEL NO.):
1-10-78

ECO/ECP REFERENCE:
0178C011-8

DESCRIPTION OF CHANGE:
DWG 1270031 REV. G.
UPDATE DWGS.
ADDITION OF LABEL TO ZONE B-4 AND PARTS LIST ZONE C-2



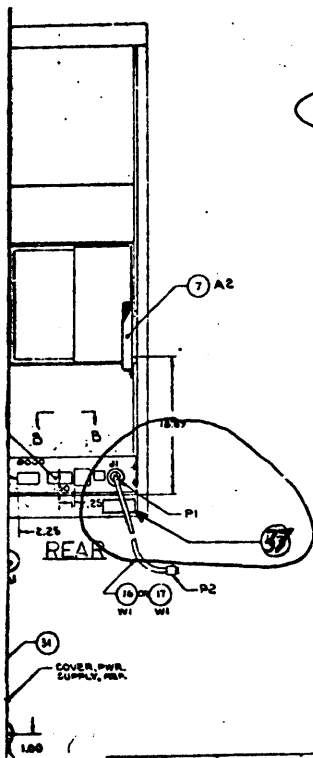
QTY	ITEM NO	PART NUMBER	REFERENCE DESIGNATION	DESCRIPTION
1	11	43	6610197-001	Caution LABEL
1	15	32	2810031-002	NOT USED STANDARD - 0192
1	15	31	3110037-002	WASHER SPRING #8
1	1	40	6230016-001	10 EQUIPMENT LABEL
1	1	36	1530120-001	PC ASSY ADDRESS TRAP
1	1	38	1570113-001	PC ASSY LOCAL MEMORY (256KB)
1	1	37	1570270-001	PC ASSY UBC
1	1	34	1150121-001	PC ASSY PI/O
1	1	35	1550113-001	PC ASSY SERIAL TIMER
1	1	39	1570115-001	PC ASSY OPTION BOARD
1	1	39	1830031-001	CABLE ASSY LOCAL MEMORY TO OPTION
1	1	32	1820023-905	W4
1	1	31	6610105-001	CABLE ASSY SERIAL MASTER CLEAR
1	1	30	6610130-001	WATER COOLER HIGH VOLTAGE
1	1	25	6610103-012	LAB/LIGHT IDENT.
1	1	25	6610103-012	LOGO MODEL NUMBER
24	24	22	2810041-001	WATER PLUGGING CUP #10-32
24	24	21	2810111-005	WATER PLUG
24	24	5	2810112-001	WATER PLUGGING CUP #10-32
24	24	5	2810113-005	WATER PLUGGING CUP #10-32
2	2	4	2810114-004	WATER PLUG #8
2	2	35	2810121-001	WATER PLUGGING CUP #8
1	1	21	1550113-001	PC ASSY SERIAL INTERRUPT-8 LEVEL
1	1	20	1810002-001	CONDUCTOR FOR DIAG 10/20/24/30/36/42/48
1	1	19		
1	1	18	1810001-001	CONDUCTOR FOR DIAG 10/20/24/30/36/42/48
1	1	17	1810002-001	CONDUCTOR FOR DIAG 10/20/24/30/36/42/48
1	1	16	1810003-001	CONDUCTOR FOR DIAG 10/20/24/30/36/42/48
1	1	15	1810004-001	CONDUCTOR FOR DIAG 10/20/24/30/36/42/48
1	1	14	1810005-001	CONDUCTOR FOR DIAG 10/20/24/30/36/42/48
1	1	13	1810006-001	CONDUCTOR FOR DIAG 10/20/24/30/36/42/48
3	3	12	1570123-001	PC ASSY MOS MEMORY
1	1	11	1570134-001	PC ASSY CPU/IM
1	1	10	3710113-002	SELECT. REAR SUPPORT (L.H.)
1	1	9	3710114-001	BRACKET, REAR SUPPORT (R.H.)
1	1	8	1270133-001	CHASSIS ASSY E. & S. 105N. BACKPLANE
1	1	7	1270132-002	CHASSIS ASSY E. & S. 105N. BACKPLANE
1	1	6	1270131-002	POWER DIST. UNIT ASSY (125/250V)
1	1	5	1270130-001	POWER DIST. UNIT ASSY (115V)
1	1	4	1270129-001	RACK ASSY, I/O
1	1	3	1270128-001	PROGRAMMER'S PANEL ASSY 19" RACK 7/6
X	-	2	THIS DWG-902	CPU ASSY WITH LOCAL MEMORY - 10 205N (15V)
X	-	1	THIS DWG-901	CPU ASSY WITH LOCAL MEMORY - 10 205N (15V)

INTERIM CHANGE PACKAGE (CONT.)

DESCRIPTION OF CHANGE:

DWG. 1270139 REV. K
UPDATE DWG.

ADDITION OF LABEL TO ZONE B-4 AND PARTS LIST
ZONE C-2.



QTY	NO.	ITEM NO.	PART NUMBER	REFERENCE DESIGNATION	DESCRIPTION
1	15	32	2510051-002		LUXURY STANDARDS 8052
1	15	31	3110037-002		WASHER SPRING #8
1	1	30	6030010-001		UL EQUIPMENT LABEL
1	1	39	1550120-901		PC ASSY ADDRESS TRAP
1	1	38	1570115-901		PC ASSY VDC
1	1	37	1570270-901		PC ASSY VIRTUAL MEMORY (256KB)
1	1	36	1570121-901		PC ASSY VDC
1	1	35	1550115-901		PC ASSY PIOC
1	1	34	1570115-901		PC ASSY INTERVAL TIMER
1	1	33	1570115-901		PC ASSY INTERVAL TIMER
1	1	32	1570115-901		PC ASSY OPTION BOARD
1	1	31	1550036-901	W6	CABLE ASSY VIRTUAL MEMORY TO OPTION
1	1	30	1570035-905	W3	CABLE ASSY PWR FAIL MASTER CLEAR
1	1	29	661004-001		LEAF, CALDER HIGH VOLTAGE
1	1	28	6610130-001		LEAF, CALDER HIGH VOLTAGE
1	1	27	6610103-001		LEAF, CALDER HIGH VOLTAGE
1	1	26	6610103-001		LEAF, CALDER HIGH VOLTAGE
1	1	25	6610103-001		LEAF, CALDER HIGH VOLTAGE
1	1	24	2810041-001		LEAF, CALDER HIGH VOLTAGE
1	1	23	2810041-001		LEAF, CALDER HIGH VOLTAGE
1	1	22	2810041-001		LEAF, CALDER HIGH VOLTAGE
1	1	21	2810041-001		LEAF, CALDER HIGH VOLTAGE
1	1	20	2810041-001		LEAF, CALDER HIGH VOLTAGE
1	1	19	2810041-001		LEAF, CALDER HIGH VOLTAGE
1	1	18	1810001-001		CONDUCTOR/CONNECTOR DIAG 10 POS AC CABLE
1	1	17	1810001-001	W1	CABLE ASSY PWR CHASSIS AC LINE, 3 WIRE
1	1	16	1810001-001	W1	CABLE ASSY PWR CHASSIS 4 WIRE
1	1	15	1810001-001	W2	CABLE ASSY PWR SENSE IN
1	1	14	1810001-001	W3	CABLE ASSY PWR FAIL MASTER CLR
1	1	13	1810001-001	W4	CABLE ASSY PWR FAIL MASTER CLR
3	3	12	1570123-901		PC ASSY MOS MEMORY
1	1	11	1570334-901		PC ASSY CPU I/O
1	1	10	3210115-002		BRACKET REAR SUPPORT (L.H.)
1	1	9	3210116-001		BRACKET REAR SUPPORT (R.H.)
1	1	8	1270133-901	A2	CHASSIS REAR PWR FAIL/INTERRUPT CABLE
1	1	7	1270023-902	A2	CHASSIS REAR PWR FAIL/INTERRUPT CABLE
1	1	6	1270130-902	A1	POWER SUPPLY UNIT ASSY (115/230V)
1	1	5	1270130-901	A1	POWER SUPPLY UNIT ASSY (115V)
1	1	4	1270131-901		BACK ASSEMBLY
1	1	3	1270135-901	A5	PROGRAMMER PANEL ASSY 15" RACK 70"
X	-	2	THIS DWG-902		CPU ASSY WITH VIRTUAL MEMORY-1000M (115V)
X	-	1	THIS DWG-901		CPU ASSY WITH VIRTUAL MEMORY-1000M (115V)

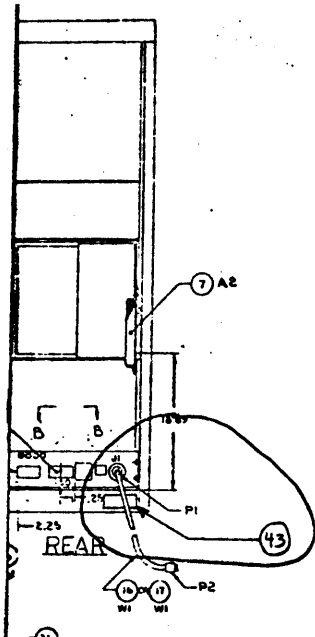
INTERIM CHANGE PACKAGE (CONT.)

DESCRIPTION OF CHANGE:

DWG. 1270140 REV. K

UPDATE DWG.

**ADDITION OF LABEL TO ZONE B4 AND PARTS LIST
ZONE C-2.**



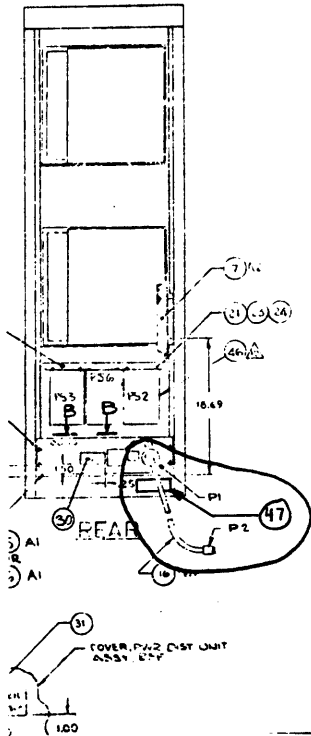
				43	6610139-001	CAUTION LABEL	
				42	801006-001	P32, P35	PSY, 20A SWITCHING POWER SUPPLY
X	X	X	X	41	8250010-001		UL EQUIPMENT LABEL
26	26	26	26	40	241003-004		NUT, HEX, STANDARD, 1/8"
26	26	26	26	39	2110017-002		WASHER, SPRING #8
				38	833001-901	WI	CABLE ASSY, FWR CHASSIS, 5 WIRE
				37	1830025-906	W6	CABLE ASSY, POWER FAULT (DOWN)
				36	1830025-905	W5	CABLE ASSY, POWER FAULT (OFF)
				35	2110017-002		LOCKWELL BRASS 1/8" DIA. (10)
				34	2110017-001		BRACKET, BLA 1/8" DIA. (10)
				33			
				32			
				31	8210026-001		LABEL, DANGER, HIGH VOLTAGE
Y		X	X	30	2210030-001		LABEL, UNIT IDENT
	2	2	2	29	2110017-004		BRACKET, BLA 1/8" DIA. (10) (11)
				28	2110017-001		NUT, FLARING, 1/8" DIA. (10)
24	1	4	2	27	2110017-005		WASHER, FLAT #8
				26	2110017-004		WASHER, LOCKWELL TOOTH #8
				25	2110017-005		SCREW, PAN, FLAT HD #10-324 ZN
24	2	2	2	24	2110017-004		WASHER, FLAT #8
	10	10	10	23	2110017-003		WASHER, LOCKWELL TOOTH #8
				22	2110017-002		SCREW, PAN, FLAT HD #10-324 ZN
2		2	2	21	2110017-001		SCREW, PAN, FLAT HD #10-324 ZN
				20	1810017-001		CONDUIT, 1/2" DIA. (10) (11)
				19			
				18	1810017-002		COND/CONN, DING, 1/2" DIA. (10) (11)
				17	1810017-001		COND/CONN, DING, 1/2" DIA. (10) (11)
				16	1830013-901	WI	CABLE ASSY, PWR CHASSIS, 5 WIRE
				15	1830017-902	W2	CABLE ASSY, PWR FAULT (DOWN)
				14	1830013-904	W3	CABLE ASSY, PWR FAULT (OFF)
				13	1830017-902	W4	CABLE ASSY, PWR FAULT (OFF)
				12	1830013-901		CABLE ASSY, PWR FAULT (OFF)
				11	1830013-901		CABLE ASSY, PWR FAULT (OFF)
				10	1830013-901		CABLE ASSY, PWR FAULT (OFF)
				9	1830013-901	A3	CHASSIS ASSY, V. 1 (10) (11)
				8	1270118-902	A3	CHASSIS ASSY, V. 1 (10) (11)
				7	1270118-901	A2	CHASSIS ASSY, V. 1 (10) (11)
				6	1270150-904	A1	POWER SUPPLY UNIT ASSY (10) (11)
				5	1270130-903	A1	POWER SUPPLY UNIT ASSY (10) (11)
X				4	1270130-904		RACK ASSY, CPU 7/8 (10) (11) (12)
	X			3	1270130-903		RACK ASSY, CPU 7/8 (10) (11) (12)
		X		2	1270130-902		RACK ASSY, CPU 7/8 (10) (11) (12)
			X	1	1270130-901		RACK ASSY, CPU 7/8 (10) (11) (12)
504	903	902	901	ITEM	PART	REFERENCE	DESCRIPTION
				NO.	NUMBER	DESIGNATION	

INTERIM CHANGE PACKAGE (CONT.)

DESCRIPTION OF CHANGE:

DWG. 1270141 REV. E
UPDATE DWG.

ADDITION OF LABEL TO ZONE B-4 AND PARTS LIST ZONE C-2



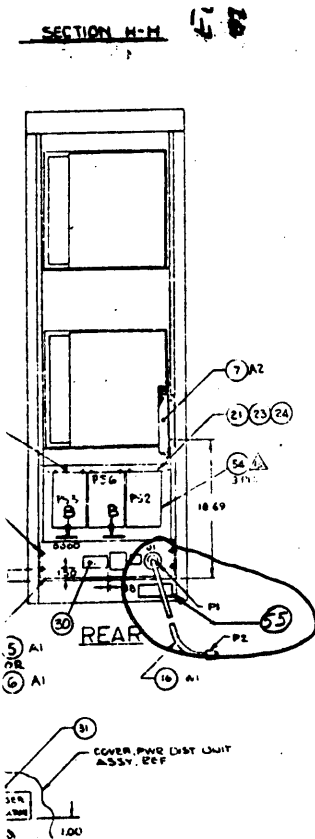
QTY	ITEM	PKT	REF	REFERENCE DESIGNATION	DESCRIPTION
1	47	666139-001			CAUTION LABEL
AR	7	25	2810101-001		CABLE ASSEMBLY
AR	1A	48	2810101-001		CABLE ASSEMBLY
6	27	2810101-001	2810101-001		CABLE ASSEMBLY
12	28	2810101-001	2810101-001		CABLE ASSEMBLY
45	29	2810101-001	2810101-001		CABLE ASSEMBLY
10	30	2810101-001	2810101-001		CABLE ASSEMBLY
1	X	31	2810101-001		CABLE ASSEMBLY
1	A	32	2810101-001		CABLE ASSEMBLY
4	4	33	2810101-001		CABLE ASSEMBLY
1	1	34	2810101-001		CABLE ASSEMBLY
9	1	35	2810101-001		CABLE ASSEMBLY
1	1	36	2810101-001		CABLE ASSEMBLY
1	1	37	2810101-001		CABLE ASSEMBLY
1	1	38	2810101-001		CABLE ASSEMBLY
1	1	39	2810101-001		CABLE ASSEMBLY
1	1	40	2810101-001		CABLE ASSEMBLY
1	1	41	2810101-001		CABLE ASSEMBLY
1	1	42	2810101-001		CABLE ASSEMBLY
1	1	43	2810101-001		CABLE ASSEMBLY
1	1	44	2810101-001		CABLE ASSEMBLY
1	1	45	2810101-001		CABLE ASSEMBLY
1	1	46	2810101-001		CABLE ASSEMBLY
1	1	47	2810101-001		CABLE ASSEMBLY
1	1	48	2810101-001		CABLE ASSEMBLY
1	1	49	2810101-001		CABLE ASSEMBLY
1	1	50	2810101-001		CABLE ASSEMBLY
1	1	51	2810101-001		CABLE ASSEMBLY
1	1	52	2810101-001		CABLE ASSEMBLY
1	1	53	2810101-001		CABLE ASSEMBLY
1	1	54	2810101-001		CABLE ASSEMBLY
1	1	55	2810101-001		CABLE ASSEMBLY
1	1	56	2810101-001		CABLE ASSEMBLY
1	1	57	2810101-001		CABLE ASSEMBLY
1	1	58	2810101-001		CABLE ASSEMBLY
1	1	59	2810101-001		CABLE ASSEMBLY
1	1	60	2810101-001		CABLE ASSEMBLY
1	1	61	2810101-001		CABLE ASSEMBLY
1	1	62	2810101-001		CABLE ASSEMBLY
1	1	63	2810101-001		CABLE ASSEMBLY
1	1	64	2810101-001		CABLE ASSEMBLY
1	1	65	2810101-001		CABLE ASSEMBLY
1	1	66	2810101-001		CABLE ASSEMBLY
1	1	67	2810101-001		CABLE ASSEMBLY
1	1	68	2810101-001		CABLE ASSEMBLY
1	1	69	2810101-001		CABLE ASSEMBLY
1	1	70	2810101-001		CABLE ASSEMBLY
1	1	71	2810101-001		CABLE ASSEMBLY
1	1	72	2810101-001		CABLE ASSEMBLY
1	1	73	2810101-001		CABLE ASSEMBLY
1	1	74	2810101-001		CABLE ASSEMBLY
1	1	75	2810101-001		CABLE ASSEMBLY
1	1	76	2810101-001		CABLE ASSEMBLY
1	1	77	2810101-001		CABLE ASSEMBLY
1	1	78	2810101-001		CABLE ASSEMBLY
1	1	79	2810101-001		CABLE ASSEMBLY
1	1	80	2810101-001		CABLE ASSEMBLY
1	1	81	2810101-001		CABLE ASSEMBLY
1	1	82	2810101-001		CABLE ASSEMBLY
1	1	83	2810101-001		CABLE ASSEMBLY
1	1	84	2810101-001		CABLE ASSEMBLY
1	1	85	2810101-001		CABLE ASSEMBLY
1	1	86	2810101-001		CABLE ASSEMBLY
1	1	87	2810101-001		CABLE ASSEMBLY
1	1	88	2810101-001		CABLE ASSEMBLY
1	1	89	2810101-001		CABLE ASSEMBLY
1	1	90	2810101-001		CABLE ASSEMBLY
1	1	91	2810101-001		CABLE ASSEMBLY
1	1	92	2810101-001		CABLE ASSEMBLY
1	1	93	2810101-001		CABLE ASSEMBLY
1	1	94	2810101-001		CABLE ASSEMBLY
1	1	95	2810101-001		CABLE ASSEMBLY
1	1	96	2810101-001		CABLE ASSEMBLY
1	1	97	2810101-001		CABLE ASSEMBLY
1	1	98	2810101-001		CABLE ASSEMBLY
1	1	99	2810101-001		CABLE ASSEMBLY
1	1	100	2810101-001		CABLE ASSEMBLY

INTERIM CHANGE PACKAGE (CONT.)

DESCRIPTION OF CHANGE:

DWG. 1270176 REV. D
UPDATE DWG.

ADDITION OF LABEL TO ZONE B-4 AND PARTS
LIST ZONE D-2



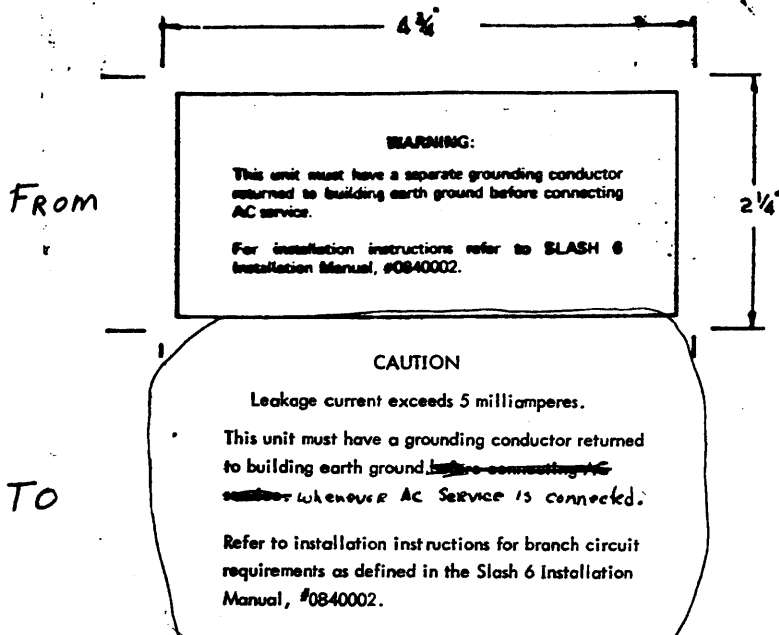
QTY	ITEM NO	PART NUMBER	REFERENCE DESIGNATION	DESCRIPTION
1	53	2810102-001		CABLE TIE
1	52	2810201-001		CABLE TIE MOUNT
1	51	6610103-423		LOGO MODEL NUMBER
10	50	173-001-901		W/S BAR ASSY
6	49	1820033-901	W56750	CABLE ASSY 1/2 INTC TO 1/2 PORT
1	48	155230-901		PC ASSY PRUG HALT/ACD TRAP
1	47	1552113-901		PC ASSY INTERVAL TIMER
1	46	1552119-901		PC ASSY PE 4 LEVEL
1	45	1552022-901	W3	CABLE ASSY VM TO OPTION
1	44	1570121-901		PC ASSY PLOC
1	43	1570070-901		PC ASSY UIC
45	42	2810092-004		NUT, HEX. STANDARD #A 32
45	41	2810027-002		WASHER, SPRING #2
1	40	141-1022-009	W12	CABLE ASSY BNC PAIR (1 W/ DWM)
1	39	1571794-901		PC MAIN 1/2 PORT
1	38	1570296-901		PC ASSY 1/2 EXCHANGE INTERACE CPU
4	37	2810106-003		CLAMP CABLE
1	35	3210102-002		BRACKET, REAR SUPPORT
2	34	3210104-001		BRACKET, REAR SUPPORT
1	33	2810105-002		RESISTANCE, SIGNAL CONDITIONER
1	32	155230-901		WIRE LIST, CABLE ASSEMBLY
1	31	6610103-423		LABEL, CABLE HIGH VOLTAGE
X	30	6610103-423		LABEL, UNIT IDENT
2	29	3210106-001		BRACKET, POWER SUPPLY MOUNTING
36	28	2810101-001		NUT, PLATING #10-32
36	27	2810102-001		WASHER, PLATE
36	26	2810103-001		WASHER, LOCKING TOOTH
36	25	2810104-001		SCREW, PLATING #10-32
18	24	2810105-001		WASHER, PLATE
18	23	2810106-001		WASHER, LOCKING TOOTH
12	22	2810107-001		SCREW, PLATING #10-32
1	21	2810108-001		SCREW, PLATING #10-32
1	20	2810109-001	A5	SCREW, PLATING #10-32
1	19	2810110-001		SCREW, PLATING #10-32
1	18	2810111-001		SCREW, PLATING #10-32
1	17	2810112-001		SCREW, PLATING #10-32
1	16	1830023-901	W1	CABLE ASSY 1/2 INTC TO 1/2 PORT
1	15	1830024-901	W2	CABLE ASSY 1/2 INTC TO 1/2 PORT
2	14	1830025-901	W10, W11	CABLE ASSY 1/2 INTC TO 1/2 PORT
1	13	1830026-901	W12	CABLE ASSY 1/2 INTC TO 1/2 PORT
3	2	1570334-901		PC ASSY MOS MEMORY
1	1	1570334-901		PC ASSY CP (CPU)
1	0	1270110-901		PACK ASSY 1/2 CO
1	9	1270110-901	A4	CHASSIS ASSY W/1/2 CO
1	8	1270110-902	A5	CHASSIS ASSY W/1/2 CO
1	7	1270110-903	A6	CHASSIS ASSY W/1/2 CO
1	6	1270110-904	A1	SHIELD ASSY 1/2 INTC TO 1/2 PORT
1	5	1270110-905	A1	POWER DIST UNIT ASSY 1/2 INTC TO 1/2 PORT
1	4	1270110-906	A1	PC ASSY 1/2 INTC TO 1/2 PORT
1	3	1270110-907	A1	PC ASSY 1/2 INTC TO 1/2 PORT
1	2	1270110-908	A1	PC ASSY 1/2 INTC TO 1/2 PORT
X	1	THIS DWG		THIS DWG

INTERIM CHANGE PACKAGE (CONT.)

DESCRIPTION OF CHANGE:

DWG. 6610139

REVISE DWG. AS SHOWN:



3. WARNING LABEL TO BE ACCORDANCE WITH PHOTOMASTER 7410130
2. BACKGROUND, BRUSHED ALUMINUM. CHARACTERS BLACK
1. ADHESIVE BACKED, METALIZED MYLAR .003 ± .001 THK.

NOTES:

INTERIM CHANGE PACKAGE

DOCUMENT NUMBER: 0800004-10Z	DOCUMENT TITLE: SLASH 6 DRAWING MANUAL
--	--

EFFECTIVITY (SERIAL & MODEL NO.):
3-6-78

ECO/ECP REFERENCE:
0178C012-23

DESCRIPTION OF CHANGE:
**DWG. CA 3081 REV. K
UPDATE DWG.**

CHANGE PART NO. & DESCRIPTION

	ITEM	PART NO.	DESCRIPTION
FROM:	12	3110037-002	WASHER, BELLEVILLE
TO:	12	3110018-003	SPRING WASHER

UPDATE RLC CHARTS

REVISION LEVEL CONTROL CHART			
APPLICABLE ASSY DASH NO.		[Grid with 'K' in column 4]	
LOWEST USABLE ASSY LEVEL		[Grid with 'K' in column 4]	
DWG NO.	TITLE	USABLE DRAWING REVISION	
[Grid]	[Grid]	[Grid]	[Grid with 'K' in column 4]
REVISION LEVEL CONTROL CHART			
APPLICABLE ASSY DASH NO.		[Grid with 'K' in column 4]	
LOWEST USABLE ASSY LEVEL		[Grid with 'K' in column 4]	
DWG NO.	TITLE	USABLE DRAWING REVISION	
[Grid]	[Grid]	[Grid]	[Grid with 'K' in column 4]

**NOTE: PURGE STOCK OF OLD PARTS AND SCRAP WHEN NEW PARTS ARE AVAILABLE IN HOUSE.
(CONTACT MIL-SPEC ABOUT RESALE VALUE)**

INTERIM CHANGE PACKAGE (CONT.)

DESCRIPTION OF CHANGE:

DWG. EMA 39106 REV. L
REVISE DWG.

CHANGE PART NO. & DESCRIPTION

	ITEM	PART NO.	DESCRIPTION
FROM:	68	3110037-002	BELLY WASHER NO. 8
TO:	68	3110018-003	SPRING WASHER

UPDATE RLC CHART

REVISION LEVEL CONTROL CHART			
APPLICABLE ASSY DASH NO.	5	4	
LOWEST USABLE ASSY LEVEL	J	K	L
DWG NO.	TITLE	USABLE DRAWING REVISION	
THIS DWG.	A. FAMILY	J	K
DD 3263	DRILL DIM	J	K
WL 3100003	WIRE LIST	J	K
LD 39106	LOGIC DIAGRAM	J	K

NOTE: PURGE STOCK OF OLD PARTS AND SCRAP WHEN NEW PARTS ARE AVAILABLE IN HOUSE.
(CONTACT MIL-SPEC ABOUT RESALE VALUE)

DWG. EMA 39107 REV. L
REVISE DWG.

CHANGE PART NO. & DESCRIPTION

	ITEM	PART NO.	DESCRIPTION
FROM:	72	3110037-002	BELLY WASHER NO. 8
TO:	72	3110018-003	SPRING WASHER

UPDATE RLC CHART

REVISION LEVEL CONTROL CHART			
APPLICABLE ASSY DASH NO.	5	4	
LOWEST USABLE ASSY LEVEL	H	J	K
DWG NO.	TITLE	USABLE DRAWING REVISION	
THIS DWG.	A. FAMILY	H	J
DD 3263	DRILL DIM	H	J
WL 3100003	WIRE LIST	H	J
LD 39107	LOGIC DIAGRAM	H	J

NOTE: PURGE STOCK OF OLD PARTS AND SCRAP WHEN NEW PARTS ARE AVAILABLE IN HOUSE.
(CONTACT MIL-SPEC ABOUT RESALE VALUE)

INTERIM CHANGE PACKAGE (CONT.)

DESCRIPTION OF CHANGE:

DWG. EMA 39108 REV. G.
REVISE DWG.

CHANGE PART NO. & DESCRIPTION

	ITEM	PART NO.	DESCRIPTION
FROM:	68	3110037-002	BELLY WASHER No. 8
TO:	68	3110018-003	SPRING WASHER

UPDATE RLC CHART

LOWEST USABLE	PRINTED BOARD LEVEL	DWG. NO.	TITLE	DATE	BY	REVISION
		39108	EMA 39108			
		3063	DELL DIM.			
		W3910-001	WIRELIST			
		LC39110	LOGIC			

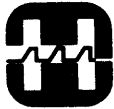
NOTE: PURGE STOCK OF OLD PARTS AND SCRAP WHEN NEW PARTS ARE AVAILABLE IN HOUSE.
 (CONTACT MIL-SPEC ABOUT RESALE VALUE)

DWG. 1250131 REV. B
REVISE DWG.

CHANGE PART NO. & DESCRIPTION

	ITEM	PART NO.	DESCRIPTION
FROM:	10	3110037-002	WASHER, SPRING
TO:	10	3110018-003	SPRING WASHER

NOTE: PURGE STOCK OF OLD PARTS AND SCRAP WHEN NEW PARTS ARE AVAILABLE IN HOUSE.
 (CONTACT MIL-SPEC ABOUT RESALE VALUE)



INTERIM CHANGE PACKAGE (CONT.)

DESCRIPTION OF CHANGE:

DWG. 1270025 REV. H
REVISE DWG.

CHANGE PART NO. & DESCRIPTION

	ITEM	PART NO.	DESCRIPTION
FROM:	33	3110037-002	WASHER, SPRING #8
TO:	33	3110018-003	SPRING WASHER

NOTE: PURGE STOCK OF OLD PARTS AND SCRAP WHEN NEW PARTS
ARE AVAILABLE IN HOUSE.

(CONTACT MIL-SPEC ABOUT RESALE VALUE)

DWG. 1270026 REV. J

REVISE DWG.

CHANGE PART NO. & DESCRIPTION

	ITEM	PART NO.	DESCRIPTION
FROM:	35	3110037-002	WASHER #8
TO:	35	3110018-003	SPRING WASHER

NOTE: PURGE STOCK OF OLD PARTS AND SCRAP WHEN NEW PARTS
ARE AVAILABLE IN HOUSE.

(CONTACT MIL-SPEC ABOUT RESALE VALUE)

INTERIM CHANGE PACKAGE (CONT.)

DESCRIPTION OF CHANGE:
DWG. 1270027 REV. A
REVISE DWG.

CHANGE PART NO. & DESCRIPTION

	ITEM	PART NO.	DESCRIPTION
FROM:	37	3110037-002	WASHER, SPRING
TO:	37	3110018-003	SPRING WASHER

NOTE: PURGE STOCK OF OLD PARTS AND SCRAP WHEN NEW PARTS ARE AVAILABLE IN HOUSE.
(CONTACT MIL-SPEC ABOUT RESALE VALUE)

DWG. 1270123 REV. D
REVISE DWG.

CHANGE PART NO. & DESCRIPTION

	ITEM	PART NO.	DESCRIPTION
FROM:	15	3110037-002	WASHER BELLVILLE #8
TO:	15	3110018-003	SPRING WASHER
FROM:	12	3110037-005	WASHER BELLVILLE # 6
TO:	12	3110018-002	SPRING WASHER

NOTE: PURGE STOCK OF OLD PARTS AND SCRAP WHEN NEW PARTS ARE AVAILABLE IN HOUSE.
(CONTACT MIL-SPEC ABOUT RESALE VALUE)

INTERIM CHANGE PACKAGE (CONT.)

DESCRIPTION OF CHANGE:

DWG. 1270139 REV. L
REVISE DWG.

CHANGE PART NO. & DESCRIPTION

	ITEM	PART NO.	DESCRIPTION
FROM:	34	3110037-002	WASHER, SPRING #8
TO:	34	3110018-003	SPRING WASHER

NOTE: PURGE STOCK OF OLD PARTS AND SCRAP WHEN NEW PARTS ARE AVAILABLE IN HOUSE.
(CONTACT MIL-SPEC ABOUT RESALE VALUE)

DWG. 1270140 REV. L

REVISE DWG.

CHANGE PART NO. & DESCRIPTION

	ITEM	PART NO.	DESCRIPTION
FROM:	39	3110037-002	WASHER, SPRING #8
TO:	39	3110018-003	SPRING WASHER

NOTE: PURGE STOCK OF OLD PARTS AND SCRAP WHEN NEW PARTS ARE AVAILABLE IN HOUSE.
(CONTACT MIL-SPEC ABOUT RESALE VALUE)

INTERIM CHANGE PACKAGE (CONT.)

DESCRIPTION OF CHANGE:
DWG. 1310004 REV. J 1/3
REVISE DWG.

CHANGE PART No. & DESCRIPTION

	ITEM	PART NO.	DESCRIPTION
FROM:	26	3110037-001	WASHER, COMPRESSION
TO:	26	3110018-001	SPRING WASHER

UPDATE RLC CHARTS

REVISION LEVEL CONTROL CHART

APPLICABLE ASSY DASH NO.		901																
USABLE MARKING LEVEL		X X X X X X X X E F G H J																
DWG. NO.	TITLE	USABLE DRAWING REVISION																
THIS DWG.	ASSY., ELECT. BD.	-	A	B	C	D	E	E	F	G	H	J						
1370001	ASSY., ELECT. BD. REF. DWG.	-	A		C	D	E	F	G	H	J	J						
7090001-001	BOARD, P.W.	-	A	B	B	C	C	C	D	E	E							
0110000	PERFORMANCE SPEC.	-		A	B	B	C	C	D	D	D	D						
0970000	SCHEMATIC DIAGRAM	-	A	B	B	B	B	B	C	C	C	C						

NOTE: PURGE STOCK OF OLD PARTS AND SCRAP WHEN NEW PARTS ARE AVAILABLE IN HOUSE.
(CONTACT MIL-SPEC ABOUT RESALE VALUE)

DWG. 1310004 REV. J 2/3
REVISE DWG

REVISION LEVEL CONTROL CHART

APPLICABLE ASSY DASH NO.		902																
USABLE MARKING LEVEL		X X X X X X X X E F G H J																
DWG. NO.	TITLE	USABLE DRAWING REVISION																
THIS DWG.	ASSY., ELECT. BD.	-	A	B	C	D	E	E	F	G	H	J						
1370001	ASSY., ELECT. BD. REF. DWG.	-	A	B	C	D	E	F	G	H	J	J						
7090001-001	BOARD, P.W.	-	A	B	B	B	C	C	C	D	E	E						
0110000	PERFORMANCE SPEC.	-		A	B	B	B	C	C	D	D	D	D					
0970001	SCHEMATIC DIAGRAM	-	A	B	C	C	C	C	D	D	C	C						

REVISION LEVEL CONTROL CHART

APPLICABLE ASSY DASH NO.		903																
USABLE MARKING LEVEL		X X X X X X X X F G H J																
DWG. NO.	TITLE	USABLE DRAWING REVISION																
THIS DWG.	ASSY., ELECT. BD.	-	A	B	C	D	E	E	F	G	H	J						
1370001	ASSY., ELECT. BD., REF. DWG.	-	A	B	C	D	E	F	G	H	J	J						
7090001-001	BOARD, P.W.	-	A	B	B	B	C	C	C	D	E	E						
0110000	PERFORMANCE SPEC.	-		B	B	B	B	C	C	D	D	D	D					
0970002	SCHEMATIC DIAGRAM	-	A	B	B	B	B	C	D	D	D	D						

INTERIM CHANGE PACKAGE (CONT.)

DESCRIPTION OF CHANGE:
DWG. 1310004 REV. J 3/3
REVISE DWG.

APPLICABLE ASSY DASH NO.		REVISION LEVEL CONTROL CHART									
USABLE MARKING LEVEL		904									
		X	X	X	E	F	G	H	J		
DWG. NO.	TITLE	USABLE DRAWING REVISION									
THIS DWG	ASSY., ELECTRONIC BOARD	C	D	E	E	F	G	H	J		
1370001	ASSY., ELECT. BD. REF. DWG	C	D	E	F	G	H	J	J		
7090001-001	BOARD, P.W.	B	B	C	C	C	D	E	E		
0970007	SCHEMATIC DIAGRAM	-	-	-	-	A	A	A	A		
0110000	PERFORMANCE SPEC.	B	B	C	C	D	D	D	D		

APPLICABLE ASSY DASH NO.		REVISION LEVEL CONTROL CHART									
USABLE MARKING LEVEL		905									
		X	X	X	E	F	G	H	J		
DWG. NO.	TITLE	USABLE DRAWING REVISION									
THIS DWG	THIS DWG.	C	D	E	E	F	G	H	J		
1370001	ASSY. ELECT. BD. REF. DWG.	C	D	E	F	G	H	J	J		
7090001-001	BOARD, P.W.	B	B	C	C	C	D	E	E		
0970001	SCHEMATIC DIAGRAM	C	C	C	C	D	D	D	D		
0110000	PERFORMANCE SPEC.	B	B	C	C	D	D	D	D		

DWG. 1510102 REV. 5 1/2
REVISE DWG.

CHANGE PART NO. & DESCRIPTION

	ITEM	PART NO.	DESCRIPTION
FROM:	18	3110037-002	WASHER, BELLEVILLE
TO:	18	3110018-003	SPRING WASHER

NOTE: PURGE STOCK OF OLD PARTS AND SCRAP WHEN NEW PARTS ARE AVAILABLE IN HOUSE.
 (CONTACT MIL-SPEC ABOUT RESALE VALUE)

INTERIM CHANGE PACKAGE (CONT.)

DESCRIPTION OF CHANGE:
DWG. 1510102 REV S 2/2
REVISE DWG.

UPDATE RLC CHARTS

REVISION LEVEL CONTROL CHART

APPLICABLE ASSY DASH NO.		901																
LOWEST USABLE ASSY LEVEL		X X B X D X F G H Y X M N R S																
DWG. NO.	TITLE	USABLE DRAWING REVISION																
THIS DWG.	ASSEMBLY	-	A	B	C	D	E	F	G	H	J	K	L	M	N	P	R	S
1510013	REWORK BACKPLANE /7	-	A	B	C	D	D	D	D	D	E	F	F	F	G	H	J	J
1550013	REWORK BACKPLANE /7 Ref. Dwg.	-	A	B	C	D	D	D	D	D	E	E	E	E	E	E	E	E
0510103	WIRE LIST	0	02	03	03	06	06	07	07	08	09	09	09	09	09	09	09	09
01570102	COMP. ASSY. REF. DWG.	-	A	A	A	A	A	A	B	B	B	C	C	D	E	F	G	G

REVISION LEVEL CONTROL CHART

APPLICABLE ASSY DASH NO.		902																
LOWEST USABLE ASSY LEVEL		X A B C D E F G H I J K L M N P R S																
DWG. NO.	TITLE	USABLE DRAWING REVISION																
THIS DWG.	ASSEMBLY	-	A	B	C	D	E	F	G	H	J	K	L	M	M	P	R	S
1580102-901	SOURCE CONTROLLED	-	-	-	-	A	B	B	B	B	B	B	B	B	B	B	B	B
0510102	WIRE LIST	0	0	0	0	0	A	A	A	A	A	A	A	A	A	A	A	A
01570102	COMP. ASSY. REF. DWG.	-	A	A	A	A	A	A	B	B	B	C	C	D	E	F	G	G

DWG. 1510136 REV. G.
REVISE DWG.

CHANGE PART NO. & DESCRIPTION

	ITEM	PART NO.	DESCRIPTION
FROM:	16	3110037-002	WASHER, SPRING #8
TO:	16	3110018-003	SPRING WASHER

UPDATE RLC CHART

REVISION LEVEL CONTROL CHART

APPLICABLE ASSY DASH NO.		901																
LOWEST USABLE ASSY LEVEL		X A B C D E F G																
DWG. NO.	TITLE	USABLE DRAWING REVISION																
THIS DWG.	ASSEMBLY	-	A	B	C	D	E	F	G									
1570136	COMP. ASSY. REF. DWG.	-	A	A	A	A	B	B	B									
DD3036	DRILL & DIM.	D	D	D	D	D	D	D										
0970129	LOGIC DIAGRAM	-	A	A	A	B	B	C	C									
0510104	WIRE LIST	B	C	C	C	C	C	C	C									

NOTE: PURGE STOCK OF OLD PARTS AND SCRAP WHEN NEW PARTS ARE AVAILABLE IN HOUSE.
(CONTACT MIL-SPEC ABOUT RESALE VALUE)



INTERIM CHANGE PACKAGE (CONT.)

DESCRIPTION OF CHANGE:

DWG. 1510313 REV. D
REVISE DWG.

CHANGE PART NO. & DESCRIPTION

	ITEM	PART NO.	DESCRIPTION
FROM:	9	3110037-001	WASHER, SPRING, #4
TO:	9	3110018-001	SPRING WASHER

NOTE: PURGE STOCK OF OLD PARTS AND SCRAP WHEN NEW PARTS ARE AVAILABLE IN HOUSE.

(CONTACT MIL-SPEC ABOUT RESALE VALUE)

DWG. 1510322 REV. B
REVISE DWG.

CHANGE PART NO. & DESCRIPTION

	ITEM	PART NO.	DESCRIPTION
FROM:	12	3110037-005	WASHER, SPRING #6
TO:	12	3110018-002	SPRING WASHER

NOTE: PURGE STOCK OF OLD PARTS AND SCRAP WHEN NEW PARTS ARE AVAILABLE IN HOUSE.

(CONTACT MIL-SPEC ABOUT RESALE VALUE)

INTERIM CHANGE PACKAGE (CONT.)

DESCRIPTION OF CHANGE:

DWG. 1570127 REV. D
REVISE DWG.

CHANGE PART NO. & DESCRIPTION

	ITEM	PART NO.	DESCRIPTION
FROM:	10	3110037-002	WASHER, SPRING
TO:	10	3110018-003	SPRING WASHER

UPDATE RLC CHART

REVISION LEVEL CONTROL CHART			
APPLICABLE ASSY DASH NO.	901		
LOWEST USABLE ASSY LEVEL	A B C D		
DWG NO.	TITLE	USABLE DRAWING REVISION	
THIS DWG	ASSEMBLY	A	B
1570127	WASHER	A	B

NOTE: PURGE STOCK OF OLD PARTS AND SCRAP WHEN NEW PARTS ARE AVAILABLE IN HOUSE.
(CONTACT MIL-SPEC. ABOUT RESALE VALUE)

DWG. 1570144 REV. D
REVISE DWG.

CHANGE PART NO. & DESCRIPTION

	ITEM	PART NO.	DESCRIPTION
FROM:	11	3110037-003	WASHER, SPRING
TO:	11	3110018-003	SPRING WASHER

UPDATE RLC CHART

REVISION LEVEL CONTROL CHART			
APPLICABLE ASSY DASH NO.	901		
LOWEST USABLE ASSY LEVEL	A B C D		
DWG NO.	TITLE	USABLE DRAWING REVISION	
THIS DWG	ASSEMBLY	A	B
1570144	WASHER	A	B
0510116	WIRELIST		

NOTE: PURGE STOCK OF OLD PARTS AND SCRAP WHEN NEW PARTS ARE AVAILABLE IN HOUSE.
(CONTACT MIL-SPEC. ABOUT RESALE VALUE)

INTERIM CHANGE PACKAGE (CONT.)

DESCRIPTION OF CHANGE:

DWG. 1570244 REV. F
REVISE DWG.

CHANGE PART NO. & DESCRIPTION

	ITEM	PART NO.	DESCRIPTION
FROM:	10	3110037-002	WASHER, SPRING
TO:	10	3110018-003	SPRING WASHER

UPDATE RLC CHART

REVISION LEVEL CONTROL CHART			
APPLICABLE ASSY DASH NO.	1	2	3
921			
LOWEST USABLE ASSY LEVEL	X	X	X
DWG NO.	TITLE	USABLE DRAWING REVISION	
THIS DWG	ASSEMBLY	-	-
7070244	SPRING WASHER	-	-
051014	W. RE. LIST	-	-

NOTE: PURGE STOCK OF OLD PARTS AND SCRAP WHEN NEW PARTS ARE AVAILABLE IN HOUSE.
(CONTACT MIL-SPEC ABOUT RESALE VALUE)

DWG. 1570283 REV. C
REVISE DWG.

CHANGE PART NO. & DESCRIPTION

	ITEM	PART NO.	DESCRIPTION
FROM:	15	3110037-002	WASHER, SPRING #8
TO:	15	3110018-003	SPRING WASHER

UPDATE RLC CHART

REVISION LEVEL CONTROL CHART			
APPLICABLE ASSY DASH NO.	1	2	3
1901			
LOWEST USABLE ASSY LEVEL	X	X	X
DWG NO.	TITLE	USABLE DRAWING REVISION	
THIS DWG	ASSEMBLY	-	-
7070283	F.W. RD. DRILLED DIM.	-	-
051015	W. RE. LIST	-	-

NOTE: PURGE STOCK OF OLD PARTS AND SCRAP WHEN NEW PARTS ARE AVAILABLE IN HOUSE.
(CONTACT MIL-SPEC ABOUT RESALE VALUE)



INTERIM CHANGE PACKAGE (CONT.)

DESCRIPTION OF CHANGE:

DWG. 1570313 REV. D
REVISE DWG.

UPDATE RLC CHARTS

REVISION LEVEL CONTROL CHART			
APPLICABLE ASSY DASH NO. - 902			
LOWEST USABLE ASSY LEVEL <input checked="" type="checkbox"/> X <input checked="" type="checkbox"/> C <input checked="" type="checkbox"/> D			
DWG NO.	TITLE	USABLE DRAWING REVISION	
1510313	PC ASSY (PL)	- A	B C D
7070313	PW BR DRILL DIM	A	B C D
0970313	SCHEMATIC DIAG.	- A	B C
REVISION LEVEL CONTROL CHART			
APPLICABLE ASSY DASH NO. - 901			
LOWEST USABLE ASSY LEVEL <input checked="" type="checkbox"/> X <input checked="" type="checkbox"/> C <input checked="" type="checkbox"/> D			
DWG NO.	TITLE	USABLE DRAWING REVISION	
1510313	PC ASSY (PL)	- A	B C D
7070313	PW BR DRILL DIM	A	B C D
0970313	SCHEMATIC DIAG.	- A	B C

DWG. 1570322 REV. B

REVISE DWG.

UPDATE RLC CHART

REVISION LEVEL CONTROL CHART			
APPLICABLE ASSY DASH NO. 901			
LOWEST USABLE ASSY LEVEL <input checked="" type="checkbox"/> X <input checked="" type="checkbox"/> B			
DWG NO.	TITLE	USABLE DRAWING REVISION	
1510322	PC ASSEMBLY	- A	B
7070322	DRILL DIM.	- A	B
0930322	SCHEMATIC DIAGRAM	- A	B



INTERIM CHANGE PACKAGE (CONT.)

DESCRIPTION OF CHANGE:

DWG. 1610103 REV. A
REVISE DWG.

CHANGE PART NO. & DESCRIPTION

	ITEM	PART NO.	DESCRIPTION
FROM:	13	3110037-002	WASHER, SPRING #8
TO:	13	3110018-003	SPRING WASHER

NOTE: PURGE STOCK OF OLD PARTS AND SCRAP WHEN NEW PARTS ARE AVAILABLE IN HOUSE.

(CONTACT MIL-SPEC ABOUT RESALE VALUE)

DWG. 1610103 REV. A
REVISE DWG.

CHANGE PART NO. & DESCRIPTION

	ITEM	PART NO.	DESCRIPTION
FROM:	42	3110037-002	WASHER, SPRING #8
TO:	42	3110018-003	SPRING WASHER

NOTE: PURGE STOCK OF OLD PARTS AND SCRAP WHEN NEW PARTS ARE AVAILABLE IN HOUSE.

(CONTACT MIL-SPEC ABOUT RESALE VALUE)

INTERIM CHANGE PACKAGE

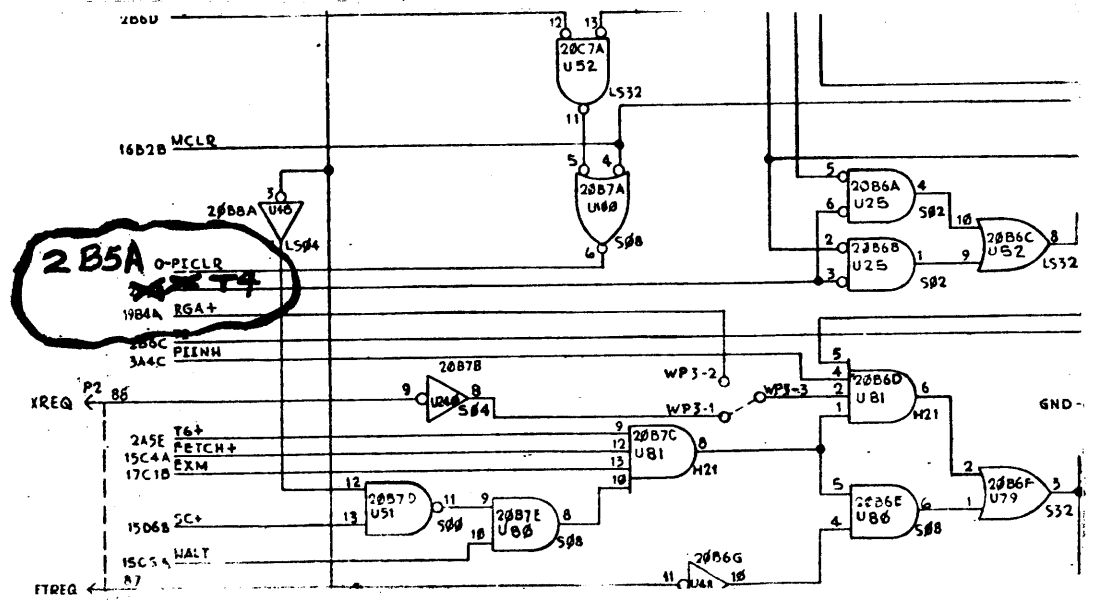
DOCUMENT NUMBER:
0800004-102

DOCUMENT TITLE:
SLASH 6 DRAWING MANUAL

EFFECTIVITY (SERIAL & MODEL NO.):
2-10-78

ECO/ECP REFERENCE:
0178C070-2

DESCRIPTION OF CHANGE:
DWG. 0970334 REV. J
SHEET 20



INTERIM CHANGE PACKAGE (CONT.)

DESCRIPTION OF CHANGE:

DWG. 1570334 REV. M
UPDATE RLC CHART

REVISION LEVEL CONTROL CHART													
APPLICABLE ASSY DASH NO.												901	
LOWEST USABLE ASSY LEVEL												X	
DWG NO.	TITLE	USABLE DRAWING REVISION											
THIS DWG	ASSEMBLY	-	A	B	C	D	E	F	G	H	I	J	LM
1510334	P.C. ASSY. (PL)	-	A	A	A	B	B	C	D	E	F	F	F
7070334	P.W. BD. DRILL & DIM.	-	-	-	-	-	-	A	A	A	-	AA	
0970334	LOGIC DIAGRAM	-	A	B	C	D	E	E	F	G	H	HJ	

REVISION LEVEL CONTROL CHART													
APPLICABLE ASSY DASH NO.												902	
LOWEST USABLE ASSY LEVEL												X	
DWG NO.	TITLE	USABLE DRAWING REVISION											
THIS DWG	ASSY.												LM
1510334	P.C. ASSY.												F
7070334	P.W. BD. D&D												AA
0970334	LOGIC												HJ

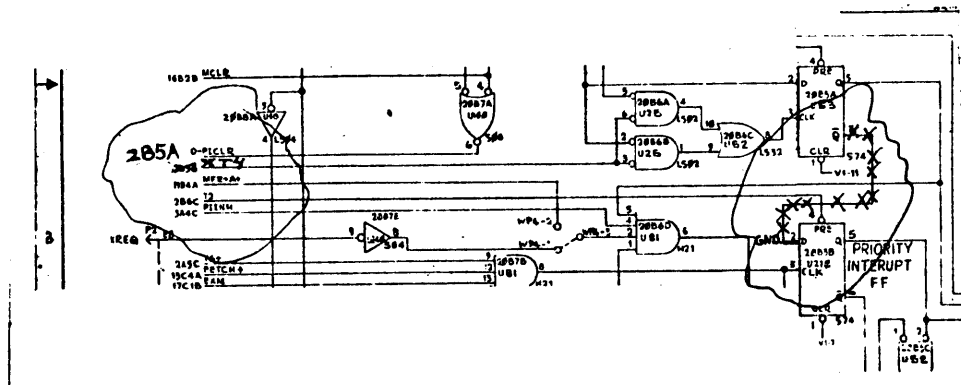
INTERIM CHANGE PACKAGE

DOCUMENT NUMBER: 0800004-102	DOCUMENT TITLE: SLASH 6 DRAWING MANUAL
--	--

EFFECTIVITY (SERIAL & MODEL NO.):
2-10-78

ECO/ECP REFERENCE:
0178C069-2

DESCRIPTION OF CHANGE:
DWG. 0970236 REV. R
UPDATE DWG.



DWG. 1570236 REV. U
UPDATE RLC CHARTS:

REVISION LEVEL CONTROL CHART																											
APPLICABLE ASSY DASH NO.	901																										
LOWEST USABLE ASSY LEVEL	-	A	B	Z	P	F	X	X	J	K	A	M	N	R	S	X	U										
DWG NO.	TITLE	USABLE DRAWING REVISION																									
THIS DWG	ASSEMBLY	-	A	B	C	D	E	F	G	H	I	J	K	L	M	N	P	R	S	T	U						
1510236	PARTS LIST	-	A	B	C	D	E	F	G	H	I	J	K	L	M	N											
7670236	DRILL & DIM	-	-	-	-	-	A	F	A	A	A	A	A	A	A	B											
0970236	LOGIC DIAGRAM	-	A	B	C	D	E	F	G	H	I	J	K	L	M	N											
0670025	AS.Y. REF	-	A	B	A	C	C	E	F	G	H	J	J	J	J	J											

INTERIM CHANGE PACKAGE

DOCUMENT NUMBER: 0800004-102	DOCUMENT TITLE: SLASH 6 DRAWING MANUAL
--	--

EFFECTIVITY (SERIAL & MODEL NO.):
2-13-78

ECO/ECP REFERENCE:
0178C062-10

DESCRIPTION OF CHANGE

FOLLOWING EFFECTS 901 & 902

1. ADD EC & E7
2. ADD CR 13 DWG 1570313 REV. E
3. ADD R 31
4. UPDATE RLC CHART

REVISION LEVEL CONTROL CHART				
APPLICABLE ASSY DASH NO.		- 9 0 2		
LOWEST USABLE ASSY LEVEL		XXXX E		
DWG NO.	TITLE	USABLE DRAWING REVISION		
THIS DWG	ASSEMBLY	-	A B C	D E
1510313	P.C. ASSY. (P.L.)	-	A B C	D E
7070313	P.W. BO. DRILL (DIM)	A	A A B	B C
0970313	SCHEMATIC DIAG.	-	A B C	C D

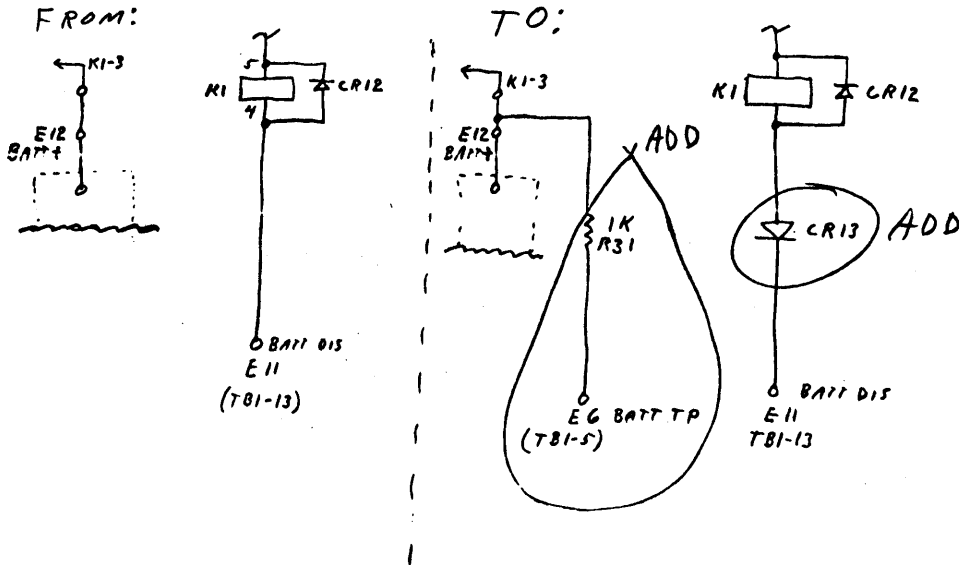
REVISION LEVEL CONTROL CHART				
APPLICABLE ASSY DASH NO.		- 9 0 1		
LOWEST USABLE ASSY LEVEL		XXXX E		
DWG NO.	TITLE	USABLE DRAWING REVISION		
THIS DWG	ASSEMBLY	-	A B C	D E
1510313	P.C. ASSY. (P.L.)	-	A B C	D E
7070313	P.W. BO. DRILL (DIM)	A	A A B	B C
0970313	SCHEMATIC DIAG.	-	A B C	C D

INTERIM CHANGE PACKAGE (CONT.)

DESCRIPTION OF CHANGE:

DWG. 0970313 REV. D

1. CHANGE 901 AND 902 AS SHOWN



DWG. 1510313 REV. E

CHANGE PARTS LIST AS SHOWN:

FROM:

ITEM	QTY	PART NO	REF DES	DESCRIPTION
17	14 14	2115012-001	E1 THRU E5, E8 THRU E14, E16, E17	TERMINAL, FASTON, 110 SERIES
43	5 5	4810001-002	CR5, CR6, CR7, CR8, CR12	DIODE RECT FAST RCVY 1 AMP 100V (IN 4934)
62	1 1	4710501-157	R7	RESISTOR 1K ±5% 1/4W

TO:

17	16 16	2115012-001	E1 THRU E14, E16, E17	TERMINAL, FASTON, 110 SERIES
43	6 6	4810001-002	CR5, CR6, CR7, CR8, CR12, CR13	DIODE RECT FAST RCVY 1 AMP 100V (IN 4934)
62	2 2	4710501-159	R7, R31	RESISTOR 1K ±5% 1/4W

INTERIM CHANGE PACKAGE (CONT.)

DESCRIPTION OF CHANGE:
DWG. 1270033 REV. D ZONE B2 (PARTS LIST)
 UPDATE DWG. AS FOLLOWS:

CHANGE PART NO.
 ITEM 16:

FROM - 6010106-306; WIRE ELEC. IPVC 18 AWG.
 TO - 6010106-307; WIRE ELEC. IPVC 18 AWG.

DWG 1270033 ZONE D3
 REVISE DWG. AS SHOWN:
 (WIRE #5)

WIRE CHART						
WIRE NO.	FROM	TERM. ITEM NO.	TO	TERM. ITEM NO.	WIRE NO.	REMARKS
1	TBI-1	Δ	A1-E1	17	16	TRAN. CT
2	TBI-2	↑	A1-E2	↑	↑	TRAN. CT
3	TBI-3	↑	A1-E3	↑	↑	TRAN. AC
4	TBI-4	↑	A1-E4	↑	↑	TRAN. AC
5	TBI-5	↑	A1-E6	↑	↑	BATT TP
6	TBI-6	Δ	A1-E6	17	16	+5B5
7	TBI-7	↑	A1-E17	↑	↑	+12B7
8	TBI-8	↑	A1-E5	↑	↑	+5V
9	TBI-9	3	A1-E1	17	16	BATT SENSE
10						
11	TBI-11	Δ	A1-E8	17	16	GLD
12	TBI-12	↑	A1-E10	↑	↑	+5B6
13	TBI-13	↑	A1-E11	↑	↑	BATT DIS
14	TBI-14	↑	A1-E13	↑	↑	+12B8
15	TBI-15	3	A1-E14	17	16	+12V
16	A1-E9	17	BT1 -	18		
17	A1-E12	17	BT2 +	18		
18	BT1 +	18	BT2 -	18	16	JUMPER



COMMUNICATIONS AND INFORMATION HANDLING

ICP NO: 78-523	DATE: 2-9-78
-------------------	-----------------

INTERIM CHANGE PACKAGE

DOCUMENT NUMBER: 0800004-102	DOCUMENT TITLE: SLASH 6 DRAWING MANUAL
---------------------------------	---

EFFECTIVITY (SERIAL & MODEL NO.):
2-13-78

ECO/ECP REFERENCE:
0178C066-4

DESCRIPTION OF CHANGE:

DWG. 1270034 REV. C
REVISE DWG. AS FOLLOWS:
 DELETE ITEM 19 (SCREWS)
 CHANGE QTY., ITEM 21 (LOCKWASHERS) FROM: 8 TO 3.
 CHANGE QTY., ITEM 23 (PLAIN WASHERS) FROM: 8 TO 3.
 DELETE BALLOONS (19)(21)(23) IN ZONE A5-6

DWG. 1270035 REV. D
 REVISE DWG. AS FOLLOWS: (901 & 902)
 DELETE ITEM 19 (SCREWS).
 CHANGE QTY., ITEM 21 (LOCKWASHERS) FROM 8 TO 3.
 CHANGE QTY., ITEM 23 (PLAIN WASHERS) FROM 8 TO 3.
 DELETE BALLOONS (19)(21)(23) IN ZONE B5.

INTERIM CHANGE PACKAGE (CONT.)

DESCRIPTION OF CHANGE:

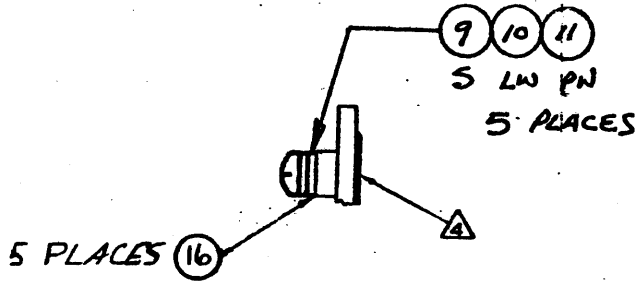
DWG. 1510322 REV. C

ADD THE FOLLOWING:

ITEM	QTY	PART NO	DESCRIPTION
9	5	2810212-104	SCREW, PAN HD. PHIL. #6-32X 7/16
10	5	2810102-002	LOCKWASHER, INT. TOOTH #6
11	5	2810211-003	WASHER, PLAIN #6

DWG. 1570322 REV. C

ADD TO DWG. ZONE DA:



UPDATE RLC CHART AS FOLLOWS:

REVISION LEVEL CONTROL CHART									
APPLICABLE ASSY DASH NO.		901							
LOWEST USABLE ASSY LEVEL		X A B C							
DWG NO.	TITLE	USABLE DRAWING REVISION							
THIS DWG	ASSEMBLY	-	A	B	C				
1510322	P.C. ASSEMBLY (P.L.)	-	A	B	C				
7070322	DRILL & DIM.	-	A	A	A				
0950322	SCHEMATIC DIAGRAM	-	A	A	A				

INTERIM CHANGE PACKAGE

DOCUMENT NUMBER: 0800004-102	DOCUMENT TITLE: SLASH 6 DRAWING MANUAL
--	--

EFFECTIVITY (SERIAL & MODEL NO.):
3-24-78

ECO/ECP REFERENCE:
0178C022-7

DESCRIPTION OF CHANGE:
DWG. 1270031 REV. H

ADD: ALL DASH NUMBERS

<u>ITEM#</u>	<u>QTY</u>	<u>PART NUMBER</u>	<u>REF. DESGN.</u>	<u>DESCRIPTION</u>
44	1	1550146-902	ADD	COMPONENT ASSY, PRIORITY INTERRUPT TERM.

ADD: ALL DASH NUMBERS

<u>ITEM#</u>	<u>QTY</u>	<u>PART NUMBER</u>	<u>DESCRIPTION</u>
45	1	3250028-001	COVER (PRIORITY INTERRUPT)

ADD: ALL DASH NUMBERS

<u>ITEM#</u>	<u>QTY</u>	<u>PART NUMBER</u>	<u>DESCRIPTION</u>
46	4	2810212-108	SCREW, PAN HEAD, #6-32 x .875 LG

ADD: ALL DASH NUMBERS

<u>ITEM#</u>	<u>QTY</u>	<u>PART NUMBER</u>	<u>DESCRIPTION</u>
47	4	2810212-102	SCREW, PAN HEAD, #6-32 x .312 LG

INTERIM CHANGE PACKAGE (CONT.)

DESCRIPTION OF CHANGE:

DWG. 1270031 REV. H

ADD: ALL DASH NUMBERS

ITEM #	QTY	PART NUMBER	DESCRIPTION
48	8	2810211-003	WASHER #6

ADD: ALL DASH NUMBERS

ITEM #	QTY	PART NUMBER	DESCRIPTION
49	8	2810210-102	LOCKWASHER #6

ADD: ALL DASH NUMBERS

ITEM #	QTY	PART NUMBER	DESCRIPTION
50	4	3110002-208	STANDOFF, ROUND .250 O.D.

ADD: ALL DASH NUMBERS

ITEM #	QTY	PART NUMBER	REF. DESIGNATION	DESCRIPTION
51	1	1850044-901	W7	CABLE ASS'Y, CPU PRIORITY, INTERRUPT

ADD: ALL DASH NUMBERS.

ITEM #	QTY	PART NUMBER	REF. DESIGNATION	DESCRIPTION
52	1	1830030-903	W8	CABLE ASS'Y, P1, TERM. D.C. POWER

CHANGE: ALL DASH NUMBERS

FROM

ITEM #	QTY	PART NUMBER	REF. DESIGN.	DESCRIPTION
13	1	1830027-902	W4	CABLE ASS'Y, AIR FAIL, CLOCK

TO

ITEM #	QTY	PART NUMBER	REF. DESIGN.	DESCRIPTION
13	1	1850046-904	W4	CABLE ASS'Y, PRIORITY INTERRUPT



INTERIM CHANGE PACKAGE (CONT.)

DESCRIPTION OF CHANGE:

DWG. 1270031 REV. H

ADD: ALL DASH NUMBERS

<u>ITEM #</u>	<u>QTY</u>	<u>PART NUMBER</u>	<u>REF DESIGN.</u>	<u>DESCRIPTION</u>
53	1	1830025-906	W9	CABLE ASSY POWER FAIL SIGNALS

ADD: ALL DASH NUMBERS

<u>ITEM #</u>	<u>QTY</u>	<u>PART NUMBER</u>	<u>REF DESIGN.</u>	<u>DESCRIPTION</u>
54	1	1870044-902	W10	CABLE ASSY, OPTION PRIORITY INTERRUPT

ADD: ALL DASH NUMBERS

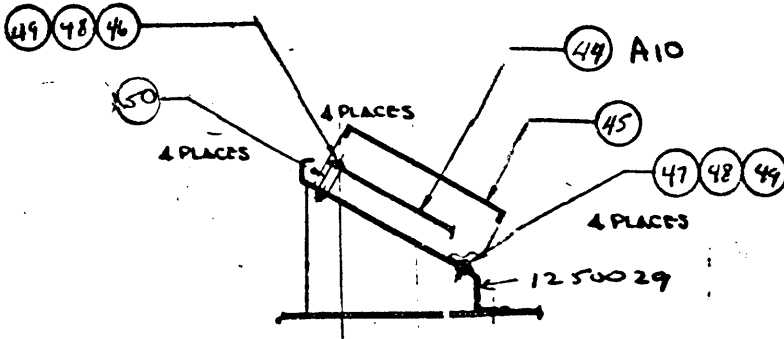
<u>ITEM #</u>	<u>QTY</u>	<u>PART NUMBER</u>	<u>DESCRIPTION</u>
56	AR	2810201-001	CABLE TIE MOUNT

ADD: ALL DASH NUMBERS

<u>ITEM #</u>	<u>QTY</u>	<u>PART NUMBER</u>	<u>DESCRIPTION</u>
57	AR	2810202-001	CABLE TIE



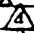


INTERIM CHANGE PACKAGE (CONT.)

DESCRIPTION OF CHANGE: DWG. 1270031 REV. H
ZONE D3



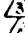

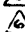





SECTION E-E
SCALE: 1/2

ZONE C3

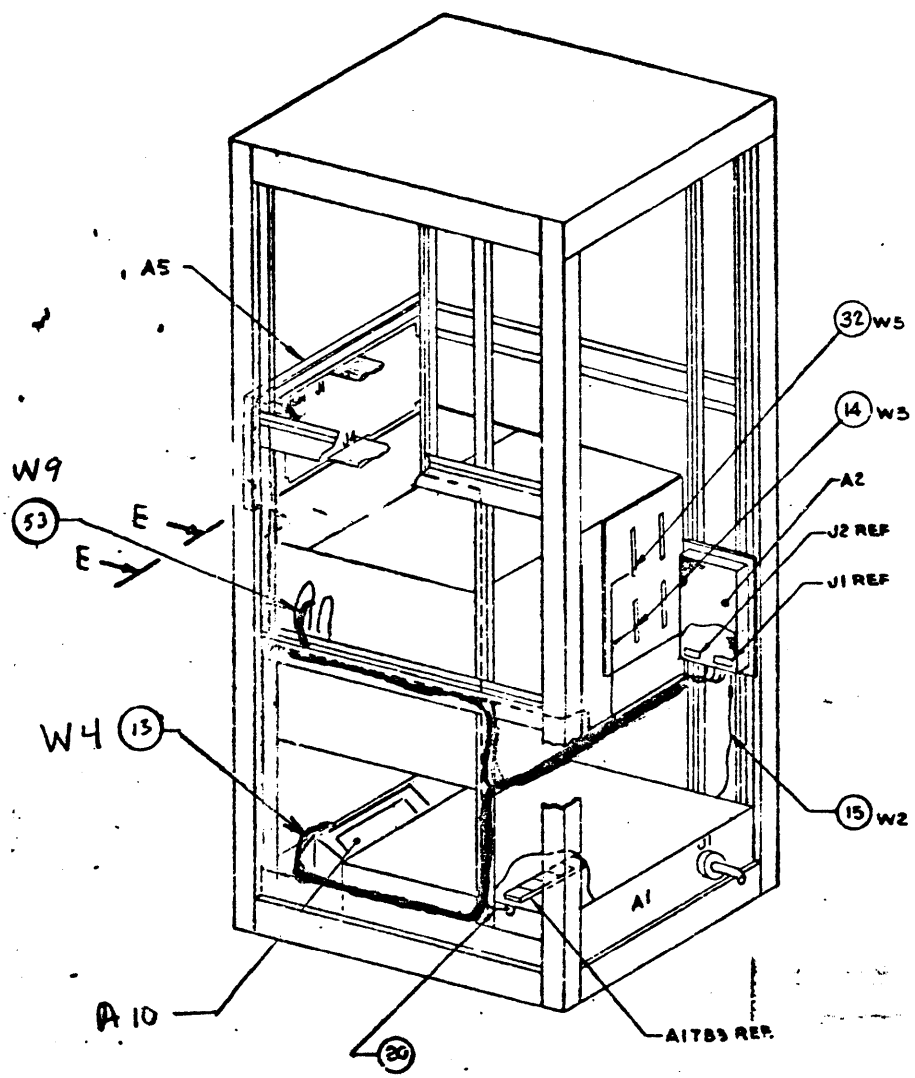
CABLE CONFIGURATION CHART		
ITEM No.	FROM	TO 
16 OR 17	W1-P1	A1-J1
	W1-P2	AC POWER (OUTLET)
	W2-P1	A2-J1
15	W2-E1	A1-TB3-4
	W2-E2	A1-TB3-3
	W2-E3	A1-TB3-2
	W2-E4	A1-TB3-8
	W2-E5	A1-TB3-6
14	W3-P1	A2-J2-8:9
	W3-P2	A2-J2-8:9
13	W4-P1	A2-J2-17:18 (CLK) 
	W4-P2	A1-J5-1 
32	W5-P1	A2-J2-102 
	W5-P2	A3-J7-23:25 

W3-P1 / A2-J2-8:9

-  PUT WHITE DOT OF W3-P1 ON A2-J2-8 OR A2-J2-11
-  PUT WHITE DOT OF W3-P2 ON A3-J34:7
-  PUT WHITE DOT OF W4-P1 ON J2-17
-  CONN. PIN NO. TO BE ASSIGNED ON CONFIG. LEVEL.
-  TORQUE ITEM 42 TO 15 IN LBS.
-  PUT WHITE DOT OF W5-P1 ON A2-J2-2 OR A2-J2-5.
-  PUT WHITE DOT OF W5-P2 ON A3-J7-23.
-  LOCATION ASSIGNED AT SYSTEM CONFIGURATION.

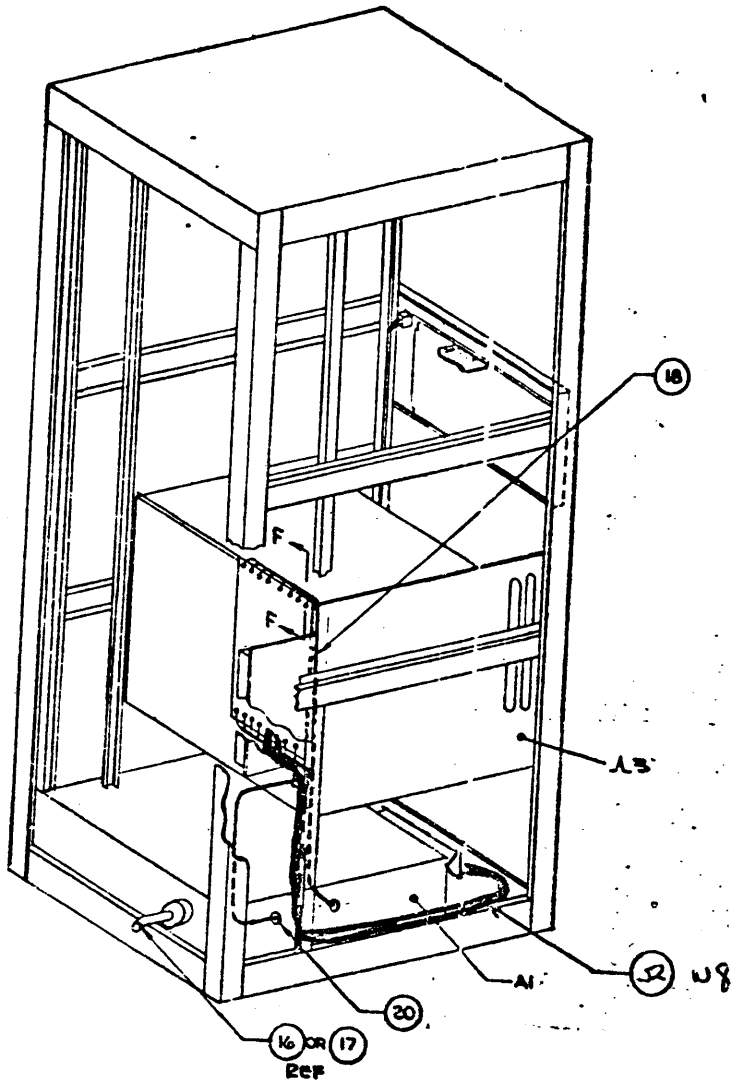
INTERIM CHANGE PACKAGE (CONT.)

DESCRIPTION OF CHANGE: DWG. 1270031 REV. H



INTERIM CHANGE PACKAGE (CONT.)






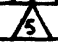


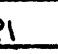

DESCRIPTION OF CHANGE: DWG 1270031 REV. H
ZONE D3



INTERIM CHANGE PACKAGE (CONT.)

DESCRIPTION OF CHANGE:

DWG. 1270031 REV. H

CABLE CONNECTION CHART		
ITEM NO.	FROM	TO 
51	W7 - P1	A3 - J3 OF ITEM 11
	W7 - P2	A10 - J1 - 33 - 48 
	W7 - P3	A10 - J6 - 1 : 3 
	W7 - P4	A10 - J6 - 7 : 9 
52	W8 - E1	A10 - J2
	W8 - E2	A10 - J4
	W8 - E3	A3 - BACK PLANE - GND 
	W8 - E4	A3 - BACK PLANE - +5V 
53	W9 - P1	A3 - J4 OF ITEM 34 - 1 : 2 
	W9 - P2	A2 - J2 - 13 : 14 
54	W10 - P1	A3 -  10 OF ITEM 34
	W10 - P2	A10 - J1 - 

INTERIM CHANGE PACKAGE (CONT.)

DESCRIPTION OF CHANGE:

DWG. 1270032 REV. H

ADD: ALL DASH NUMBERS

<u>ITEM#</u>	<u>QTY</u>	<u>PART NUMBER</u>	<u>REF. DESGN.</u>	<u>DESCRIPTION</u>
49	1	1550146 - 902	A 10	COMPONENT ASSY, PRIORITY INTERRUPT TERM.

ADD CABLE CONNECTION CHART

ADD: ALL DASH NUMBERS

<u>ITEM#</u>	<u>QTY</u>	<u>PART NUMBER</u>	<u>DESCRIPTION</u>
50	1	3250028 - 001	COVER (PRIORITY INTERRUPT)

ADD: ALL DASH NUMBERS

<u>ITEM#</u>	<u>QTY</u>	<u>PART NUMBER</u>	<u>DESCRIPTION</u>
51	4	2810212 - 108	SCREW, PAN HEAD, #6-32 x .875 LG

ADD: ALL DASH NUMBERS

<u>ITEM#</u>	<u>QTY</u>	<u>PART NUMBER</u>	<u>DESCRIPTION</u>
52	4	2810212 - 102	SCREW, PAN HEAD, #6-32 x .312 LG

INTERIM CHANGE PACKAGE (CONT.)

DESCRIPTION OF CHANGE:

DWG. 1270032 REV. H

ADD: ALL DASH NUMBERS

<u>ITEM #</u>	<u>QTY</u>	<u>PART NUMBER</u>	<u>DESCRIPTION</u>
53	8	2810211-003	WASHER #6

ADD: ALL DASH NUMBERS

<u>ITEM #</u>	<u>QTY</u>	<u>PART NUMBER</u>	<u>DESCRIPTION</u>
54	8	2810210-102	LOCKWASHER #6

ADD: ALL DASH NUMBERS

<u>ITEM #</u>	<u>QTY</u>	<u>PART NUMBER</u>	<u>DESCRIPTION</u>
55	4	3110002-208	STANDOFF, ROUND .250 O.D.

ADD: ALL DASH NUMBERS

<u>ITEM #</u>	<u>QTY</u>	<u>PART NUMBER</u>	<u>REF. DESIGNATION</u>	<u>DESCRIPTION</u>
56	1	1850044-901	W7	CABLE ASS'Y, CPU PRIORITY INTERRUPT

ADD: ALL DASH NUMBERS.

<u>ITEM #</u>	<u>QTY</u>	<u>PART NUMBER</u>	<u>REF. DESIGNATION</u>	<u>DESCRIPTION</u>
57	1	1830030-903	W8	CABLE ASSY, P1, TERM. D.C. POWER

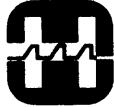
CHANGE: ALL DASH NUMBERS

FROM

<u>ITEM #</u>	<u>QTY</u>	<u>PART NUMBER</u>	<u>REF. DESIGN.</u>	<u>DESCRIPTION</u>
13	1	1830027-902	W4	CABLE ASS'Y, FOUR FAIL, CLOCK

TO

<u>ITEM #</u>	<u>QTY</u>	<u>PART NUMBER</u>	<u>REF. DESIGN.</u>	<u>DESCRIPTION</u>
13	1	1850046-904	W4	CABLE ASS'Y, PRIORITY INTERRUPT



INTERIM CHANGE PACKAGE (CONT.)

DESCRIPTION OF CHANGE:

DWG. 1270032 REV. H

ADD: ALL DASH NUMBERS

<u>ITEM#</u>	<u>QTY</u>	<u>PART NUMBER</u>	<u>REF DESIGN.</u>	<u>DESCRIPTION</u>
58	1	1830025-906	W9	CABLE ASSY, POWER Fail - Signals

ADD: ALL DASH NUMBERS.

<u>ITEM#</u>	<u>QTY</u>	<u>PART NUMBER</u>	<u>REF DESIGN.</u>	<u>DESCRIPTION</u>
59	1	1870044-302	W10	CABLE ASSY, OPTION PRIORITY INTERRUPT

ADD: ALL DASH NUMBERS

<u>ITEM#</u>	<u>QTY</u>	<u>PART NUMBER</u>	<u>DESCRIPTION</u>
61	AR	2810201-001	CABLE TIE MOUNT

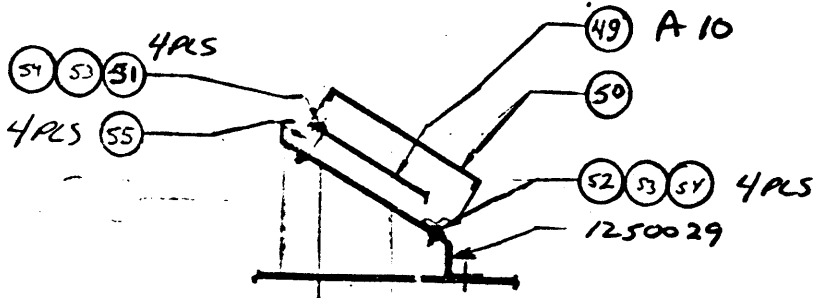
ADD: ALL DASH NUMBERS

<u>ITEM#</u>	<u>QTY</u>	<u>PART NUMBER</u>	<u>DESCRIPTION</u>
62	AR	2810202-001	CABLE TIE

INTERIM CHANGE PACKAGE (CONT.)

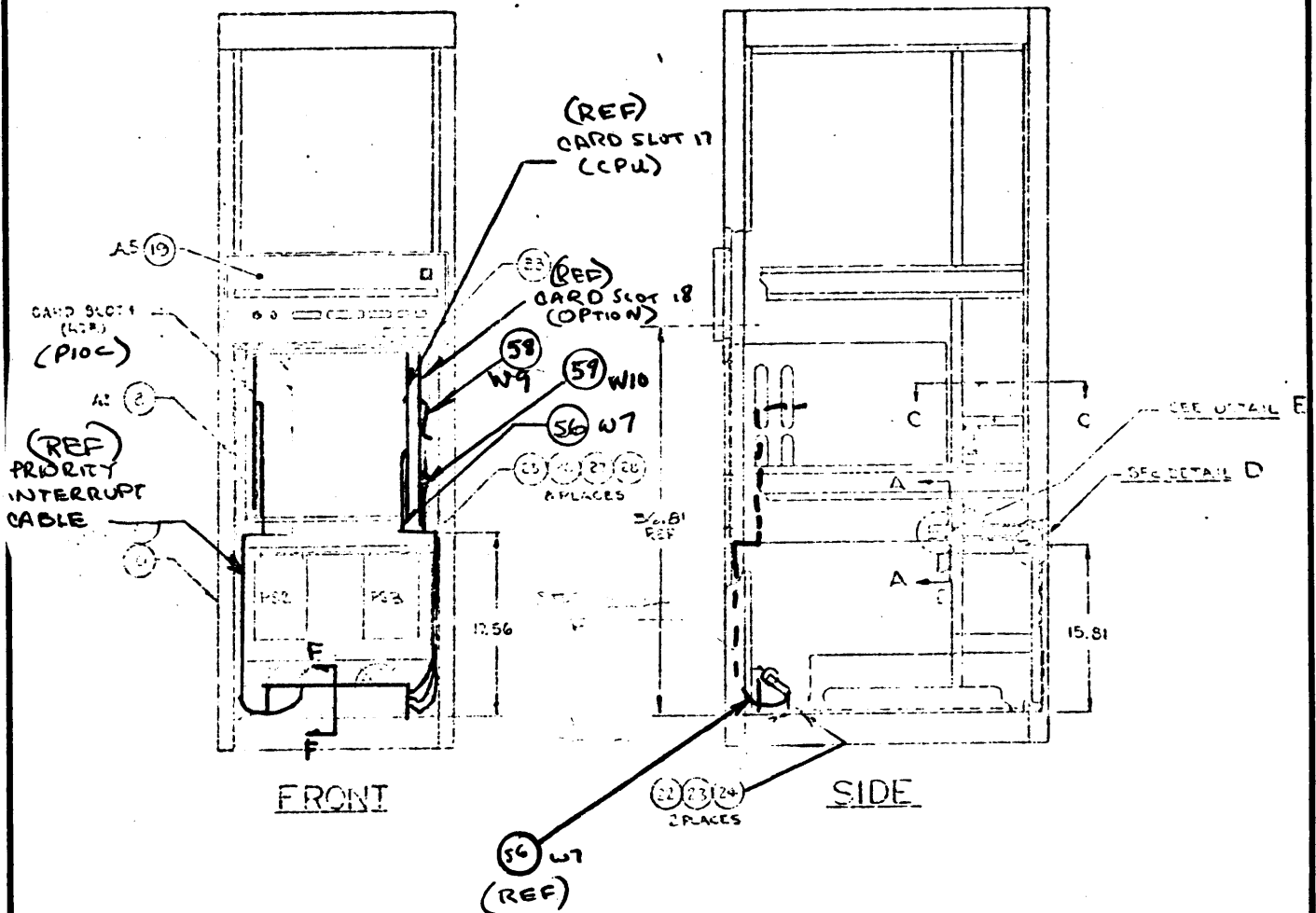
DESCRIPTION OF CHANGE:

DWG. 1270032 REV. H
ZONE D3



SECTION F-F
SCALE: 1/2"


ZONE C5/6

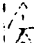
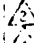
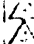
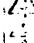
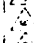
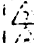
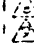











INTERIM CHANGE PACKAGE (CONT.)

DESCRIPTION OF CHANGE:

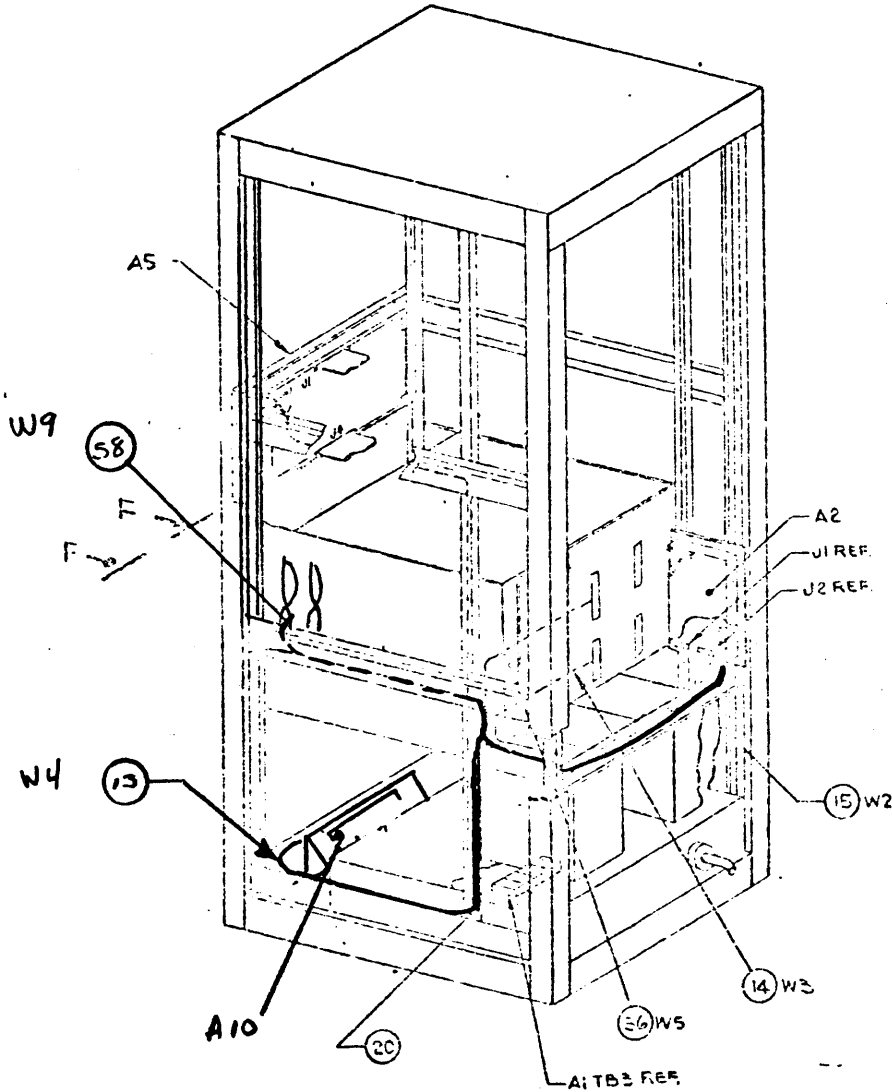
DWG. 1270032 REV. H ZONE 3

CABLE CONNECTION CHART		
ITEM NO.	FROM	TO 
16	W1-P1	A10
	W1-P2	A1 POWER (COURLET)
	W2-P1	A2
15	W2-E1	A1-J2-6
	W2-E2	A1-J2-5
	W2-E3	A1-J2-2
	W2-E4	A1-J2-8
	W2-E5	A1-J2-10
14	W3-P1	A3-J34-7
	W3-P2	A3-J34-7
13	W5-P1	A2-J2-2 (LOCK)
	W5-P2	<u>A10-36</u>
32	W9-P1	A4-J34-1
	W9-P2	A2-J2-14

-  PUT WHITE DOT OF W1-P1 ON A2-J2-8 OR A2-J2-11
-  PUT WHITE DOT OF W3-P2 ON A3-J34-7
-  PUT WHITE DOT OF W2-P1 ON J2-17
-  COMM. PINING TO BE ASSIGNED ON CONFIG LEVEL
-  ALTERNATE A2-J2-11E12
-  PUT WHITE DOT OF W5-P1 ON A2-J2-2 OR A2-J2-5
-  PUT WHITE DOT OF W5-P2 ON A3-J29-23.
-  TORQUE ITEM 42 TO 15 IN LBS.
-  LOCATION ASSIGNED AT SYSTEM CONFIGURATION.
-  **10** HEADER NO. TO BE ASSIGNED ON CONFIG. LEVEL
-  **11** UNDERLINED PIN NUMBERS CORRESPOND WITH PIN#1 ON CONNECTOR
-  **12** PUT WHITE DOT OF W7-P2 ON A10-31-33
-  **13** PUT WHITE DOT OF W7-P3 ON A10-36-2
-  **14** PUT WHITE DOT OF W7-P4 ON A10-36-9
-  **15** PUT WHITE DOT OF W9-P1 ON A4-J34 OF ITEM 33-1
-  **16** PUT WHITE DOT W9-P2 ON A2-J2-14

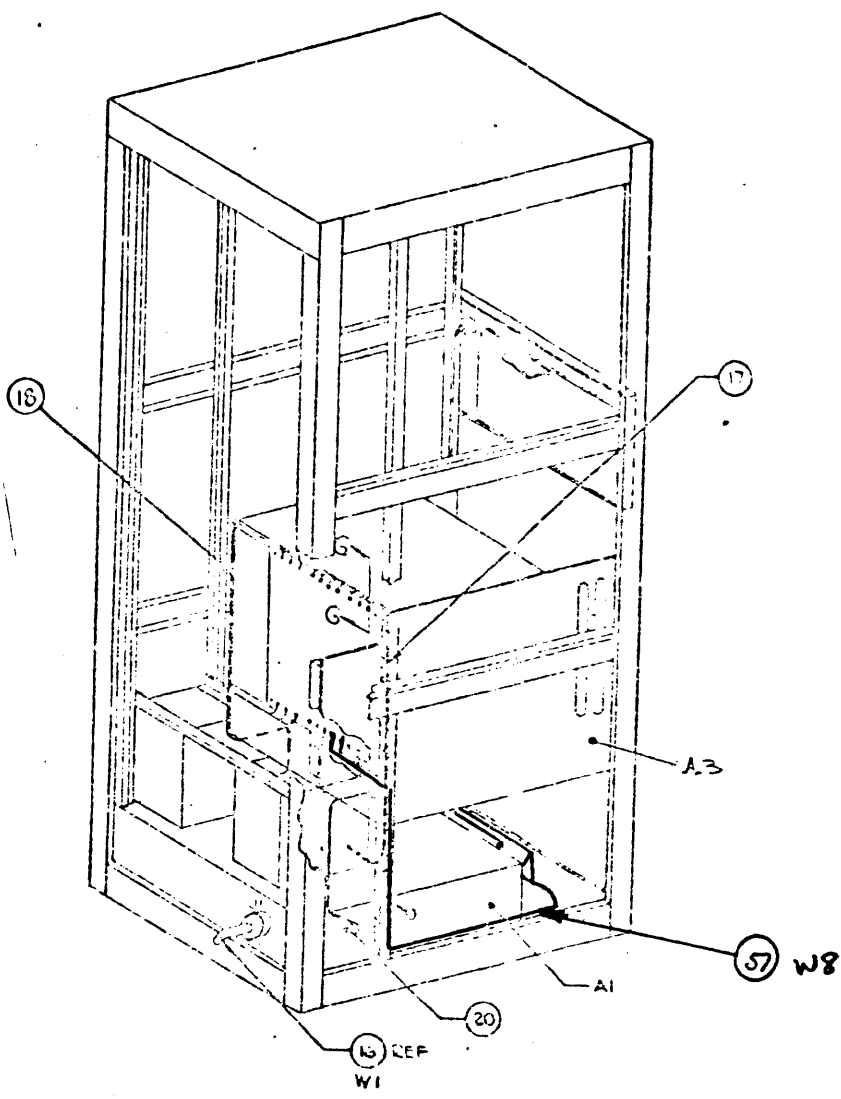
INTERIM CHANGE PACKAGE (CONT.)

DESCRIPTION OF CHANGE: DWG. 1270032 REV. H
ZONE C 4








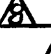
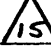

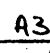
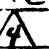
INTERIM CHANGE PACKAGE (CONT.)

DESCRIPTION OF CHANGE: **DWG. 1270032 REV. H**
ZONE C4



INTERIM CHANGE PACKAGE (CONT.)

DESCRIPTION OF CHANGE: DWG. 1270032 REV. H

CABLE CONNECTION CHART		
ITEM NO.	FROM	TO 
56	W7 - P1	A3 - J3 OF ITEM 11
	W7 - P2	A10 - J1 - 33 - 48 
	W7 - P3	A10 - J6 - 1 = 3 
	W7 - P4	A10 - J6 - 7 = 9 
57	W8 - E1	A10 - J2
	W8 - E2	A10 - J4
	W8 - E3	A3 - BACKPLANE - GND 
	W8 - E4	A3 - BACKPLANE - +5V 
58	W9 - P1	A3 - J4 OF ITEM 33 - 1 = 2 
	W9 - P2	A2 - J2 - 13 = 14 
59	W10 - P1	A3 -  OF ITEM 33
	W10 - P2	A10 - J1 - 

INTERIM CHANGE PACKAGE (CONT.)

DESCRIPTION OF CHANGE:

DWG. 1270043 REV. D

ADD: ALL DASH NUMBERS

<u>ITEM#</u>	<u>QTY</u>	<u>PART NUMBER</u>	<u>REF. DESIGN.</u>	<u>DESCRIPTION</u>
56	1	1550146-902	A: = 10	COMPONENT ASSY, PRIORITY INTERRUPT TERM.

ADD: ALL DASH NUMBERS

<u>ITEM#</u>	<u>QTY</u>	<u>PART NUMBER</u>	<u>DESCRIPTION</u>
57	1	3250028-001	COVER (PRIORITY INTERRUPT)

ADD: ALL DASH NUMBERS

<u>ITEM#</u>	<u>QTY</u>	<u>PART NUMBER</u>	<u>DESCRIPTION</u>
58	4	2910212-108	SCREW, PAN HEAD, #6-32 x .875 LG

ADD: ALL DASH NUMBERS

<u>ITEM#</u>	<u>QTY</u>	<u>PART NUMBER</u>	<u>DESCRIPTION</u>
59	4	2910212-102	SCREW, PAN HEAD, #6-32 x .312 LG



COMMUNICATIONS AND
INFORMATION HANDLING

ICP NO.:

78-524

DATE:

2-22-78

INTERIM CHANGE PACKAGE (CONT.)

DESCRIPTION OF CHANGE: DWG. 1270043 REV. ①

ADD: ALL DASH NUMBERS

ITEM #	QTY	PART NUMBER	DESCRIPTION
60	8	2810211-003	WASHER #6

ADD: ALL DASH NUMBERS

ITEM #	QTY	PART NUMBER	DESCRIPTION
61	8	2810210-102	LOCKWASHER #6

ADD: ALL DASH NUMBERS

ITEM #	QTY	PART NUMBER	DESCRIPTION
62	4	3110002-208	STANDOFF, ROUND .250 O.D.

ADD: ALL DASH NUMBERS

ITEM #	QTY	PART NUMBER	REF. DESIGNATION	DESCRIPTION
63	1	1850044-902	W14	CABLE ASS'Y, CPU PRIORITY; INTERRUPT

ADD: ALL DASH NUMBERS.

ITEM #	QTY	PART NUMBER	REF. DESIGNATION	DESCRIPTION
64	1	1830030-903	W15	CABLE ASSY, P1, TERM DC. POWER

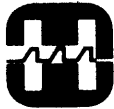
CHANGE: ALL DASH NUMBERS

FROM

ITEM #	QTY	PART NUMBER	REF. DESIGNATION	DESCRIPTION
13	1	1830027-903	W4	CABLE ASS'Y, AIR FAIL, CLOCK

TO

ITEM #	QTY	PART NUMBER	REF. DESIGNATION	DESCRIPTION
13	1	1850046-904	W4	CABLE ASS'Y, PRIORITY INTERRUPT



INTERIM CHANGE PACKAGE (CONT.)

DESCRIPTION OF CHANGE:

DWG. 1270043 REV. D

ADD: ALL DASH NUMBERS

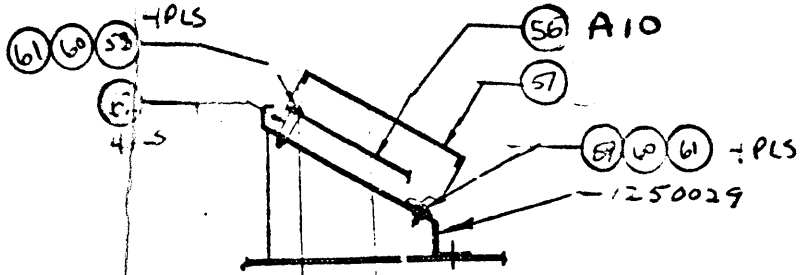
<u>ITEM #</u>	<u>QTY</u>	<u>PART NUMBER</u>	<u>REF DESIGN.</u>	<u>DESCRIPTION</u>
65	1	1870044-94	W16	CABLE ASSY, OPTION PRIORITY INTERRUPT

INTERIM CHANGE PACKAGE (CONT.)

DESCRIPTION OF CHANGE:

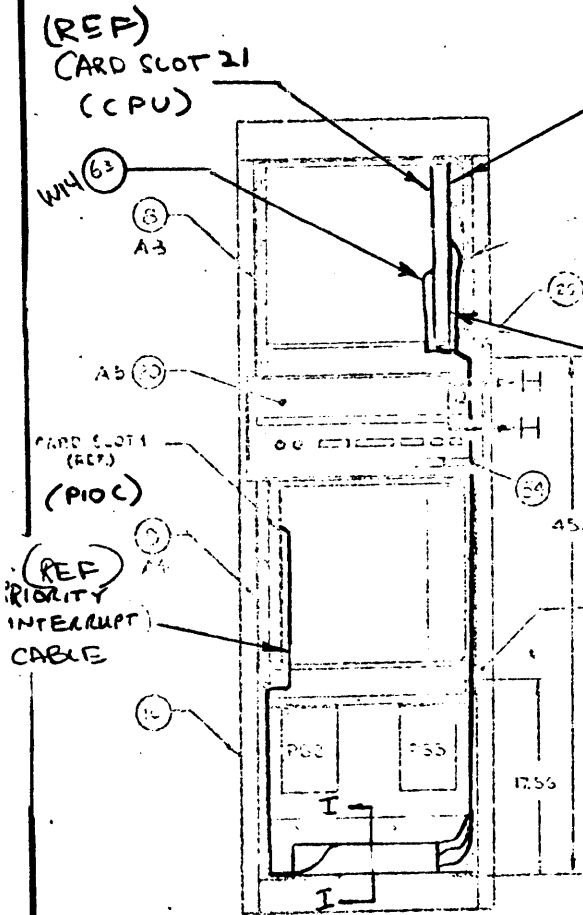
DWG. 1270043
ZONE D3

REV. D

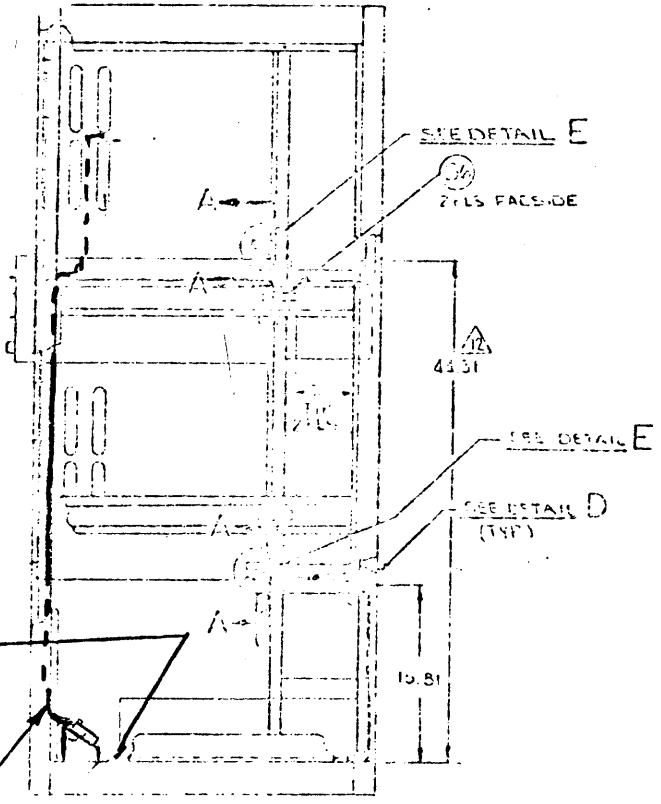
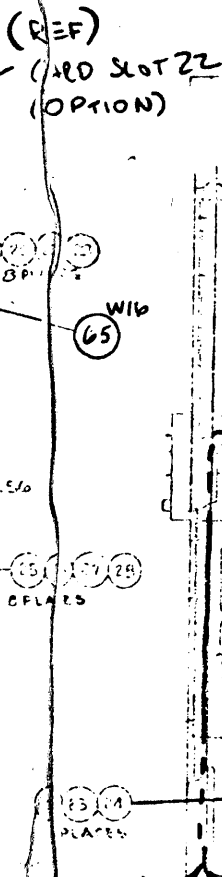


SECTION I-I

ZONE 7



FRONT










SIDE

(63) W14 REF

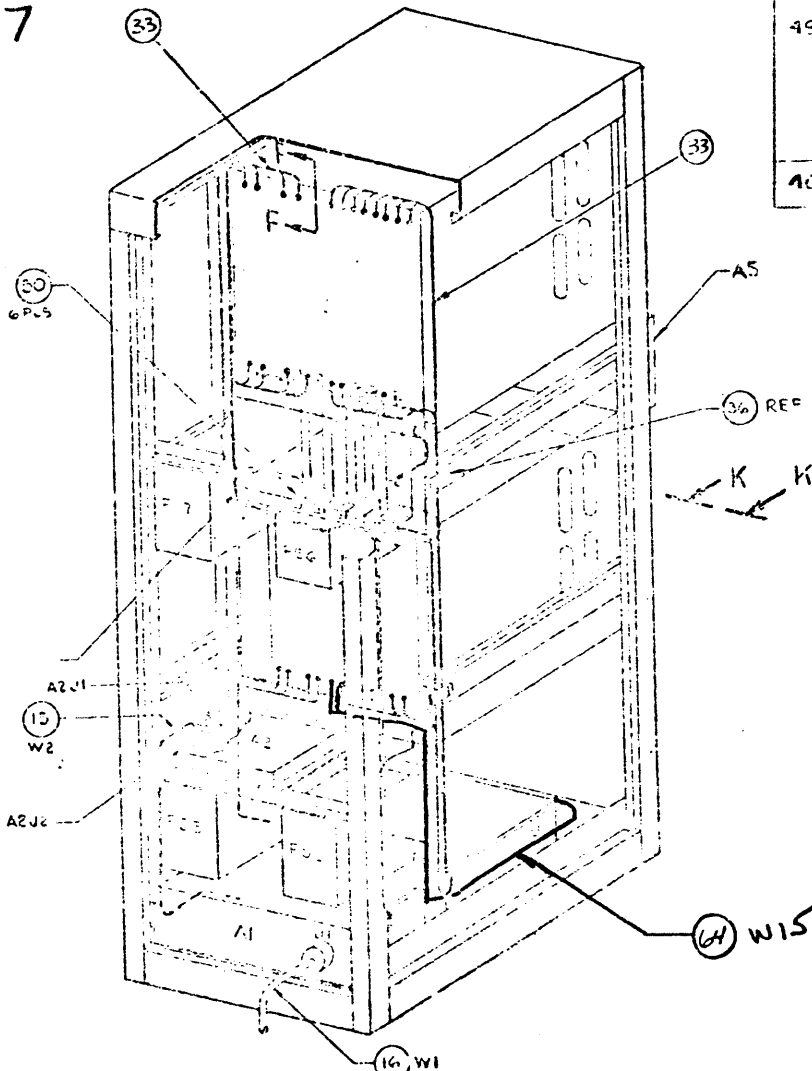
INTERIM CHANGE PACKAGE (CONT.)

DESCRIPTION OF CHANGE: **DWG. 1270043 REV. D**

-  **HEADER NO TO BE ASSIGNED ON CONFIG. LEVEL**
-  **UNDERLINED PIN CORRESPONDS TO PIN #1 ON CONNECTOR**
-  **CONN. PIN. NO. TO BE ASSIGNED ON CONFIG. LEVEL.**
-  **PUT WHITE DOT OF W14-P4 ON A10-36-9**
-  **PUT WHITE DOT OF W14-P3 ON A10-36-3**
-  **PUT WHITE DOT OF W14-P2 ON A10-31-33**

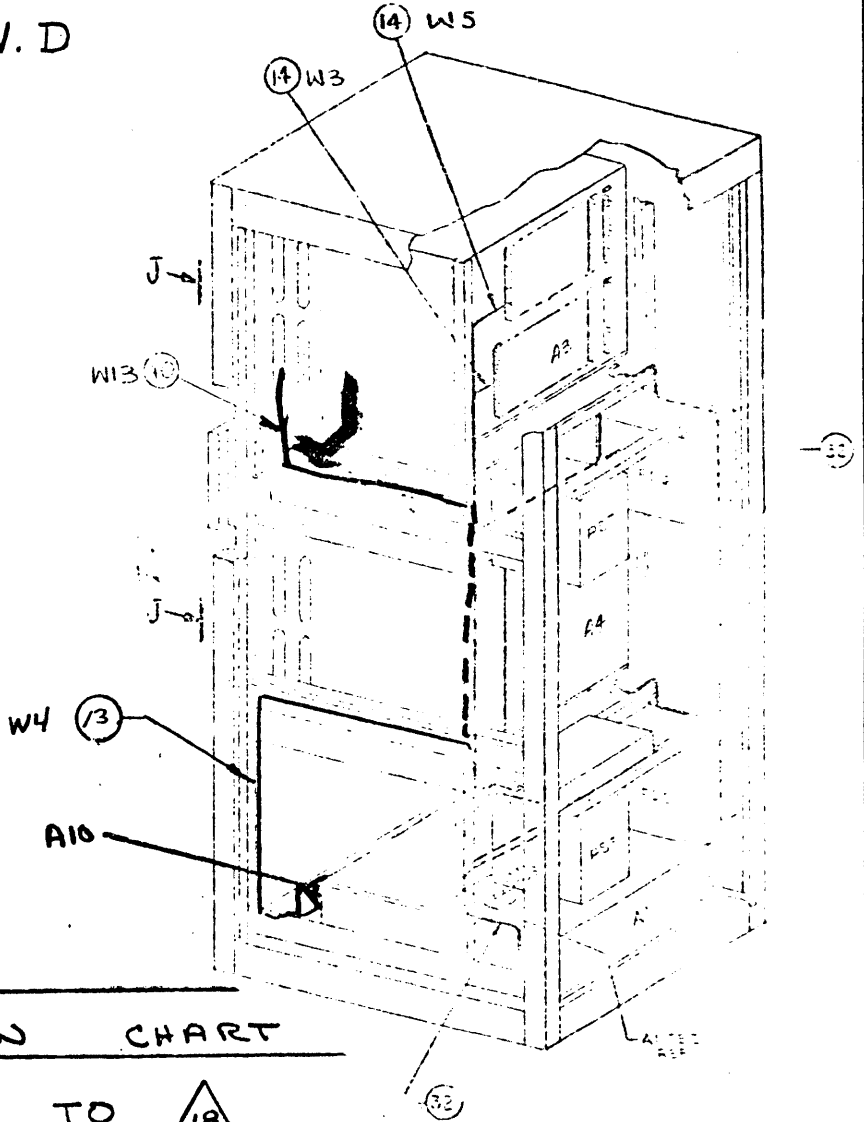
CABLE CONNECTION CHART		
ITEM NO.	FROM	TO 
16	W1-P1	A1-J1
	W1-P2	AC POWER (OUTPUT)
	W1-P1	A2-J1
15	W2-P1	A1-TB3-3
	W2-P2	A1-TB3-3
	W2-P3	A1-TB3-2
	W2-P4	A1-TB3-3
14	W3-P1	A1-TB3-3
	W3-P2	A1-TB3-3
13	W4-P1	A10-30-
49	W5-P1	A3-TB3-3
	W5-P2	A3-TB3-3
	W5-P3	A3-TB3-3
	W5-P4	A3-TB3-3
	W5-P5	A3-TB3-3
	W5-P6	A3-TB3-3
	W5-P7	A3-TB3-3
	W5-P8	A3-TB3-3
	W5-P9	A3-TB3-3
	W5-P10	A3-TB3-3
40	W6-P1	A3-TB3-3
	W6-P2	A3-TB3-3

ZONE 7



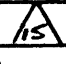
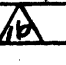
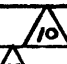
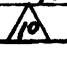
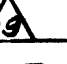



INTERIM CHANGE PACKAGE (CONT.)

DESCRIPTION OF CHANGE:
DWG. 1270043 REV. D
ZONE 7



CABLE CONNECTION CHART

ITEM NO.	FROM	TO 
63	W14 - P1	A3 - J3 OF ITEM 11
	W14 - P2	A10 - J1 - 33 - 48 
	W14 - P3	A10 - J6 - 1 + 3 
	W14 - P4	A10 - J6 - 7 + 2 
64	W15 - E1	A10 - J2
	W15 - E2	A10 - J4
	W15 - E3	A4 - BACKPLANE - GND 
	W15 - E4	A4 - BACKPLANE - +5V 
65	W16 - P1	A3 -  OF ITEM 4
	W16 - P2	A10 - J1 - 

INTERIM CHANGE PACKAGE (CONT.)

DESCRIPTION OF CHANGE:
DWG. 1270139 REV. M

ADD: ALL DASH NUMBERS

<u>ITEM#</u>	<u>QTY</u>	<u>PART NUMBER</u>	<u>REV. DESIG.</u>	<u>DESCRIPTION</u>
38	1	1550146 - 902	A 10	COMPONENT ASSY, PRIORITY INTERRUPT TERM.

ADD: ALL DASH NUMBERS

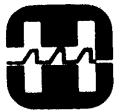
<u>ITEM#</u>	<u>QTY</u>	<u>PART NUMBER</u>	<u>DESCRIPTION</u>
39	1	3250028 - 001	COVER (PRIORITY INTERRUPT)

ADD: ALL DASH NUMBERS

<u>ITEM#</u>	<u>QTY</u>	<u>PART NUMBER</u>	<u>DESCRIPTION</u>
40	4	2810212 - 108	SCREW, PAN HEAD, #6-32 x .375 LG

ADD: ALL DASH NUMBERS

<u>ITEM#</u>	<u>QTY</u>	<u>PART NUMBER</u>	<u>DESCRIPTION</u>
41	4	2810212 - 10Z	SCREW, PAN HEAD, #6-32 x .312 LG



INTERIM CHANGE PACKAGE (CONT.)

DESCRIPTION OF CHANGE:

DWG 1270039 REV. M

ADD: ALL DASH NUMBERS

ITEM #	QTY	PART NUMBER	DESCRIPTION
42	8	2810211-003	WASHER #6

ADD: ALL DASH NUMBERS

ITEM #	QTY	PART NUMBER	DESCRIPTION
43	8	2810210-102	LOCKWASHER #6

ADD: ALL DASH NUMBERS

ITEM #	QTY	PART NUMBER	DESCRIPTION
44	4	3110002-208	STANDOFF, ROUND .250 O.D.

ADD: ALL DASH NUMBERS

ITEM #	QTY	PART NUMBER	REF. DESIGNATION	DESCRIPTION
45	1	1850044-901	W7	CABLE ASS'Y, CPU PRIORITY, INTERRUPT

ADD: ALL DASH NUMBERS.

ITEM #	QTY	PART NUMBER	REF. DESIGNATION	DESCRIPTION
46	1	1830030-903	W8	CABLE ASS'Y, P/I TERM. D.C. POWER

CHANGE: ALL DASH NUMBERS

FROM

ITEM #	QTY	PART NUMBER	REF. DESIGN.	DESCRIPTION
13	1	1830027-902	W4	CABLE ASS'Y, PUR FAIL. CLOCK

TO

ITEM #	QTY	PART NUMBER	REF. DESIGN.	DESCRIPTION
13	1	1850046-904	W4	CABLE ASS'Y, PRIORITY INTERRUPT

INTERIM CHANGE PACKAGE (CONT.)

DESCRIPTION OF CHANGE:

DWG. 1270139 REV. M

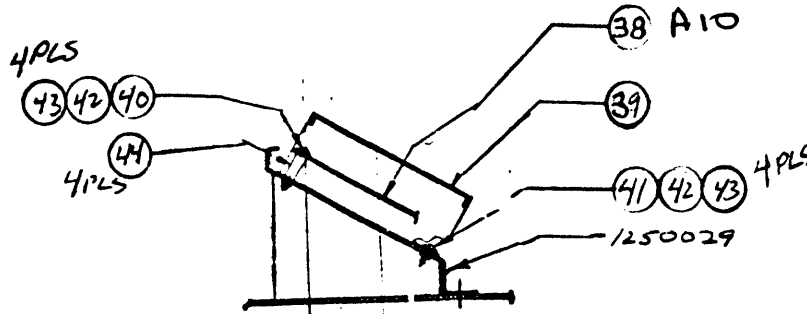
ADD: ALL DASH NUMBERS

<u>ITEM#</u>	<u>QTY</u>	<u>PART NUMBER</u>	<u>DESCRIPTION</u>
19	AR	2810201-001	CABLE TIE MOUNT

ADD: ALL DASH NUMBERS

<u>ITEM#</u>	<u>QTY</u>	<u>PART NUMBER</u>	<u>DESCRIPTION</u>
21	AR	2810202-00	CABLE TIE

ZONE D3

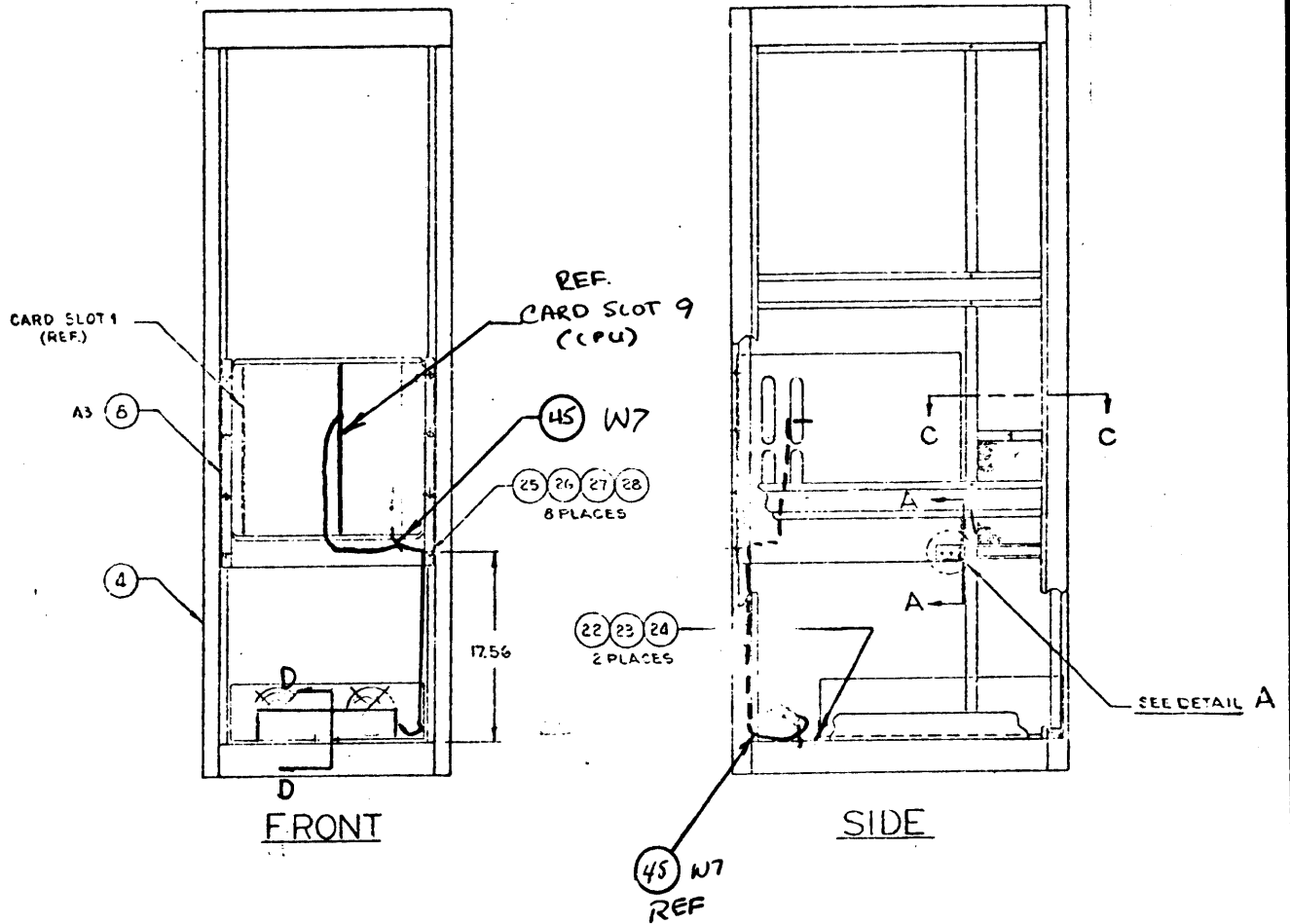


SECTION D-D
SCALE: 1/2

INTERIM CHANGE PACKAGE (CONT.)

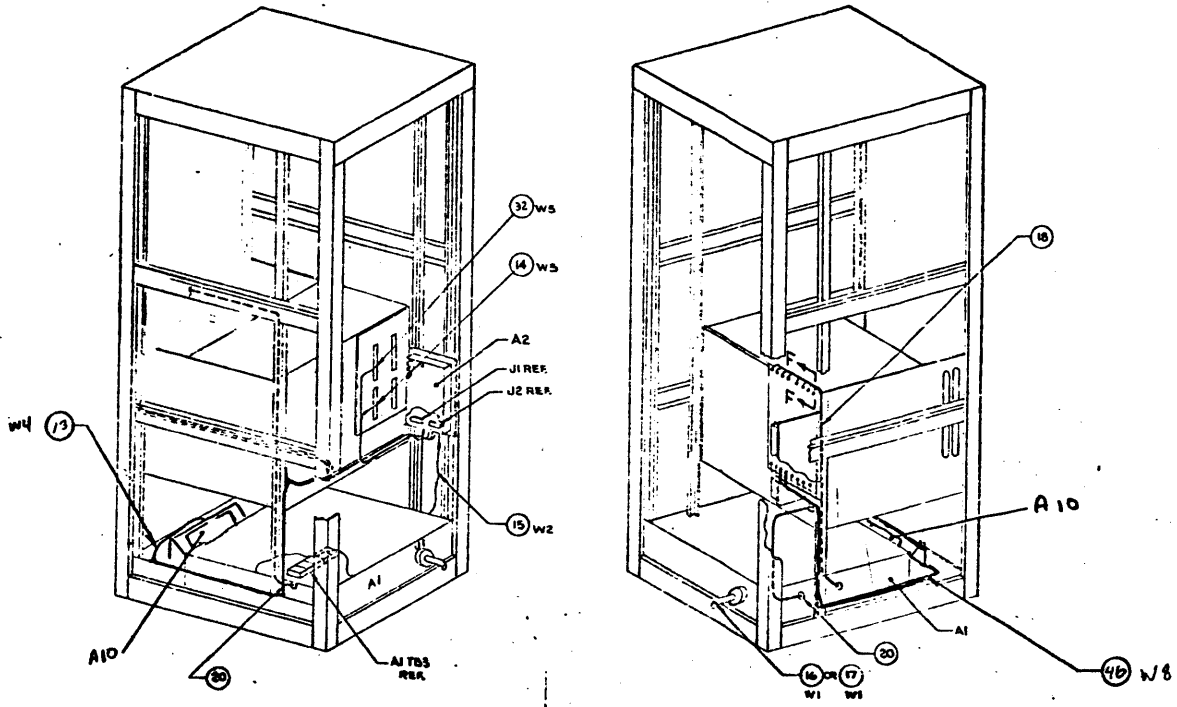
DESCRIPTION OF CHANGE:

DWG. 1270139 REV. M
ZONE 6-7

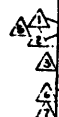


INTERIM CHANGE PACKAGE (CONT.)

DESCRIPTION OF CHANGE:
DWG. 1270139 REV. M



ITEM No.	FROM	TO
16	W1-P1	A1-J1
17	W1-P2	AC POWER (OUTLET)
	W2-P1	A2-P1
	W2-E1	A1-TDS-4
	W2-E2	A1-TDS-3
	W2-E3	A1-TDS-2
	W2-E4	A1-TDS-1
	W2-E5	A1-TDS-6
14	W3-P1	A2-J2-11 #12
	W3-P2	A2-J2-9
	W3-P3	A2-J2-5
13	W4-P1	A2-J2-11 #12 (SLR)
	W4-P2	A10-TU
32	W5-P1	A2-J2-11 #12
	W5-P2	A3-J7-95 95





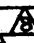



- ▲ PUT WHITE DOT OF W3-P1 ON A2-J2-11 #12
- ▲ PUT WHITE DOT OF W3-P2 ON A3-J7-95
- ▲ PUT WHITE DOT OF W4-P1 ON J2-17
- ▲ COMM. FIN N.O. TO BE ASSIGNED ON CONF'S LEVEL.
- ▲ ALTERNATE A2-J2-11 #12
- ▲ PUT WHITE DOT OF W5-P1 ON A2-J2-2 OR A2-J2-5
- ▲ PUT WHITE DOT OF W5-P2 ON A3-J7-95
- ▲ TORQUE ITEM 85 TO 16 IN. LBS.
- ▲ PUT WHITE DOT OF W7-P2 ON A10-J1-33
- ▲ PUT WHITE DOT OF W7-P3 ON A10-J6-3
- ▲ PUT WHITE DOT OF W7-P4 ON A10-J6-9
- ▲ UNDER LINED PIN NUMBER CORRESPONDS WITH PIN #. ON CONNECTOR

INTERIM CHANGE PACKAGE (CONT.)

DESCRIPTION OF CHANGE:

DWG. 1270139 REV. M

CABLE CONNECTION CHART		
ITEM NO.	FROM	TO 
45	W7 - P1	A3 - J3 OF ITEM #11
	W7 - P2	A10 - J1 - 33 - 48 
	W7 - P3	A10 - J6 - 1-3 
	W7 - P4	A10 - J6 - 7-9 
46	W8 - E1	A10 - J2
	W8 - E2	A10 - J4
	W8 - E3	A3 - BACKPLANE - GND 
	W8 - E4	A3 - BACKPLANE - 75V 

DWG. 1270140 REV. M

ADD CABLE CONNECTION CHART

ADD: ALL DASH NUMBERS

ITEM #	QTY	PART NUMBER	REF. SYMBOL	DESCRIPTION
44	1	1550146 - 902	A10	COMPONENT ASY, PRIORITY INTERRUPT TERMINATOR

ADD: ALL DASH NUMBERS

ITEM #	QTY	PART NUMBER	DESCRIPTION
45	1	325 0028 - 001	COVER, (PRIORITY INTERRUPT)

ADD: ALL DASH NUMBERS

ITEM	QTY	PART NUMBER	DESCRIPTION
46	4	2810212 - 108	SCREW, PAN-HEAD, #6-32 - R75 - C



COMMUNICATIONS AND
INFORMATION HANDLING

ICP NO:
78-524

DATE:
2-22-78

INTERIM CHANGE PACKAGE (CONT.)

DESCRIPTION OF CHANGE:

DWG. 1270140 REV. M

ADD ALL DASH NUMBERS

ITEM#	QTY	PART NUMBER	DESCRIPTION
47	4	2810210-102	SCREW, PAN HEAD #6-32 7/16 L

ADD ALL DASH NUMBERS

ITEM#	QTY	PART NUMBER	DESCRIPTION
48	8	2810211-003	WASHER #6

ADD ALL DASH NUMBERS

ITEM#	QTY	PART NUMBER	DESCRIPTION
49	8	2810210-102	LOCKWASHER #6

ADD ALL DASH NUMBERS

ITEM#	QTY	PART NUMBER	DESCRIPTION
50	4	3110002-209	STANDOFF, ROUND .250 OD

ADD ALL DASH NUMBERS

ITEM#	QTY	PART NUMBER	REF. DESIGNATION	DESCRIPTION
51	1	1850041-901	W7	CABLE ASSY, CPU AGENCY INTERRUPT

CHANGE ALL DASH NUMBER

ITEM#	QTY	PART NUMBER	DESCRIPTION
13	1	1850027-902	CABLE ASSY AND FAIL, (CLK)

TD:

ITEM#	QTY	PART NUMBER	DESCRIPTION
13	1	1850046-901	CABLE ASSY, PROTECT HEAD

ADD ALL DASH NUMBERS

ITEM#	QTY	PART NUMBER	REF. DESIGNATION	DESCRIPTION
52	1	1830030-903	W6	CABLE ASSY, 1/1 TERM. DC. POWER

ADD ALL DASH NUMBERS

ITEM#	QTY	PART NUMBER	DESCRIPTION
32	AR	2810201-001	CABLE TIE MOUNT

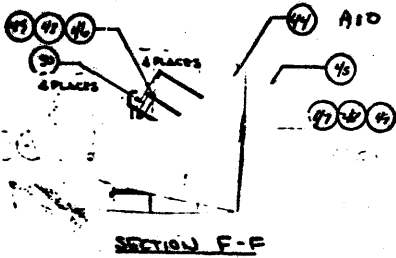
ADD ALL DASH NUMBERS

ITEM#	QTY	PART NUMBER	DESCRIPTION
33	AR	2810202-001	CABLE TIE

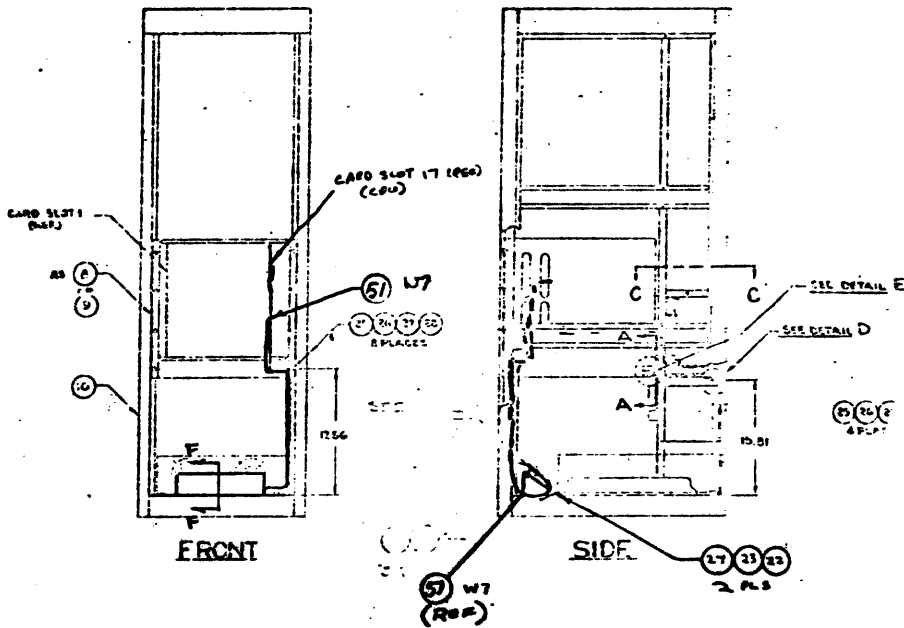
INTERIM CHANGE PACKAGE (CONT.)

DESCRIPTION OF CHANGE:

DWG. 1270140 REV. M
ZONE D3





ZONE G17


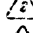
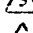
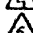










INTERIM CHANGE PACKAGE (CONT.)

DESCRIPTION OF CHANGE:

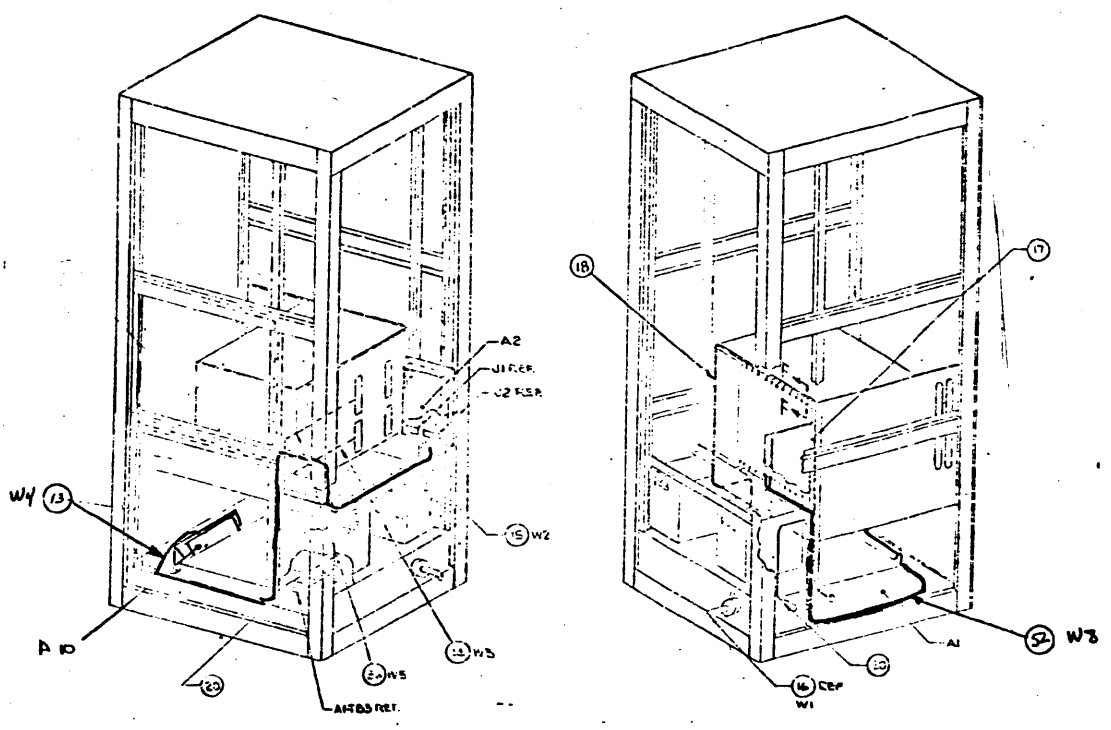
DWG 1270140 REV. M
ZONE C3

CABLE CONNECTION CHART		
ITEM No:	FROM	TO 
16	W1-P1	
	W1-P2	A2-POWER (OUT-LET)
	W1-P1	A2-11
13	W2-E1	A1-11-1
	W2-E2	A1-11-2
	W2-E3	A1-11-3
	W2-E4	A1-11-4
	W2-E5	A1-11-5
14	W3-P1	A2-11-1
	W3-P2	A2-11-2
13	W4-P1	A3-11-1 
	W4-P2	<u>A10-J6-</u>
36	W5-P1	
	W5-P2	A3-11-1-93

-  PUT WHITE DOT OF W3-P1 ON A2-J2-8 OR A2-J2-11
-  PUT WHITE DOT OF W3-P2 ON A3-J34-7
-  PUT WHITE DOT OF W4-P1 ON J2-17
-  CONN. PIN NO. TO BE ASSIGNED ON CONFIG. LEVEL
-  ALTERNATE A2-J2-11 3-12
-  PUT WHITE DOT OF W5-P1 ON A2-J2-2 OR A2-J2-9
-  PUT WHITE DOT OF W5-P2 ON A3-J29-93
-  TORQUE ITEM 40 TO 15 IN. LBS.
-  PUT WHITE DOT OF W7-P2 ON A10-51-33
-  PUT WHITE DOT OF W7-P3 ON A10-J6-3
-  PUT WHITE DOT OF W7-P4 ON A10-J6-9
-  12 UNDERLINED PIN NUMBER CORRESPONDS TO PIN #1 ON CONNECTOR

INTERIM CHANGE PACKAGE (CONT.)

DESCRIPTION OF CHANGE:
DWG 1270140 REV. M
ZONE 6/7



CABLE CONNECTION CHART		
ITEM NO.	FROM	TO \triangle
51	W7 - P1	A3 - J3 OF ITEM 11
	W7 - P2	A10 - J1 - 33 - 48 \triangle 9
	W7 - P3	A10 - J6 - 1' 3 \triangle 10
	W7 - P4	A10 - J6 - 7' 2 \triangle 11
52	W8 - E1	A10 - J2
	W8 - E2	A10 - J4
	W8 - E3	A3 - BACKPLANE - GND \triangle 8
	W8 - E4	A3 - BACKPLANE - +5V \triangle 8

INTERIM CHANGE PACKAGE (CONT.)

DESCRIPTION OF CHANGE:

DWG. 1270141 REV. F

ADD: ALL DASH NUMBERS

ITEM#	QTY	PART NUMBER	REV. DESGN.	DESCRIPTION
48	1	1550146-902	A-10	COMPONENT ASSY, PRIORITY INTERRUPT TERM.

ADD CABLE CONNECTION CHART AS PER SHEET 6 OF THIS ECO

ADD: ALL DASH NUMBERS

ITEM#	QTY	PART NUMBER	DESCRIPTION
49	1	3250038-001	COVER (PRIORITY INTERRUPT)

ADD: ALL DASH NUMBERS

ITEM#	QTY	PART NUMBER	DESCRIPTION
50	4	2810212-108	SCREW, PAN HEAD, #6-32 x .875 L6

ADD: ALL DASH NUMBERS

ITEM#	QTY	PART NUMBER	DESCRIPTION
51	4	2810212-102	SCREW, PAN HEAD, #6-32 x .875 L6

INTERIM CHANGE PACKAGE (CONT.)

DESCRIPTION OF CHANGE:
DWG. 1270141 REV. F

ADD: ALL DASH NUMBERS

ITEM #	QTY	PART NUMBER	DESCRIPTION
52	8	2810211-003	WASHER #6

ADD: ALL DASH NUMBERS

ITEM #	QTY	PART NUMBER	DESCRIPTION
53	8	2810210-102	LOCKWASHER #6

ADD: ALL DASH NUMBERS

ITEM #	QTY	PART NUMBER	DESCRIPTION
54	4	3110002-208	STANDOFF, ROUND .250 O.D.

ADD: ALL DASH NUMBERS

ITEM #	QTY	PART NUMBER	REF. DESIGNATION	DESCRIPTION
55	1	1850044-902	W12	CABLE ASSY, CPU PRIORITY; INTERRUPT

ADD: ALL DASH NUMBERS.

ITEM #	QTY	PART NUMBER	REF. DESIGNATION	DESCRIPTION
56	1	1530030-903	W13	CABLE ASSY, P1; TERM. DC POWER

CHANGE: ALL DASH NUMBERS

FROM

ITEM #	QTY	PART NUMBER	REF. DESIGNATION	DESCRIPTION
13	1	1830025-909	W9	CABLE ASSY, AIR PAIL, CLOCK

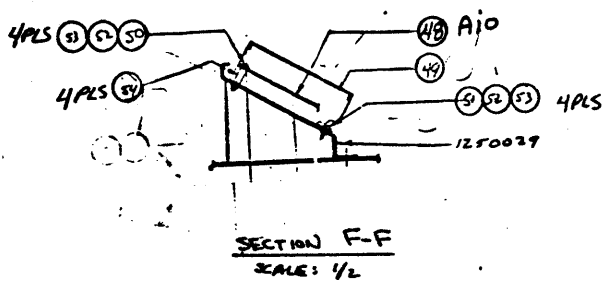
TO

ITEM #	QTY	PART NUMBER	REF. DESIGNATION	DESCRIPTION
13	1	1850046-904	W9	CABLE ASSY, PRIORITY INTERRUPT

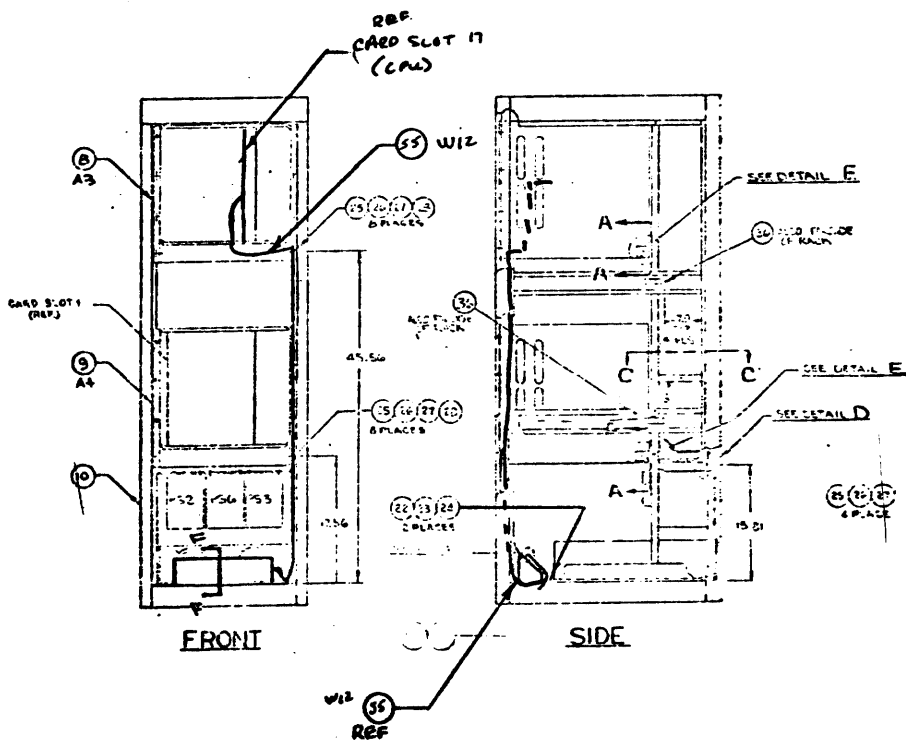
CHANGE DRAWING PER SUBETS 4 AND 5 OF THIS E.O.

INTERIM CHANGE PACKAGE (CONT.)

DESCRIPTION OF CHANGE:
 DWG. 1270141 REV. F
 ZONE D3



ZONE G/7



INTERIM CHANGE PACKAGE (CONT.)

DESCRIPTION OF CHANGE:

DWG 1270141 REV. F

CABLE CONNECTION CHART		
ITEM NO.	FROM	TO
16	W1-P1	A1-J1
	W1-P2	A3-P1/EG (OUTLET)
15	W2-P1	A2-J1
	W2-P2	A1-P1/A
	W2-P3	A1-P2/A
	W2-P4	A1-P3/A
	W2-P5	A1-P4/A
	W2-P6	A1-P5/A
42	W3-P1	A3-J1/EG (OUTLET)
	W3-P2	A3-J2/EG
	W3-P3	A3-J3/EG
	W3-P4	A3-J4/EG
	W3-P5	A3-J5/EG
	W3-P6	A3-J6/EG
	W3-P7	A3-J7/EG
	W3-P8	A3-J8/EG
	W3-P9	A3-J9/EG
	W3-P10	A3-J10/EG
13	W4-P1	A2-J2-17 + 18 (CLK)
	W4-P2	A10-J6-3
14	W5-P1	A3-J15-53
	W5-P2	A3-J15-53

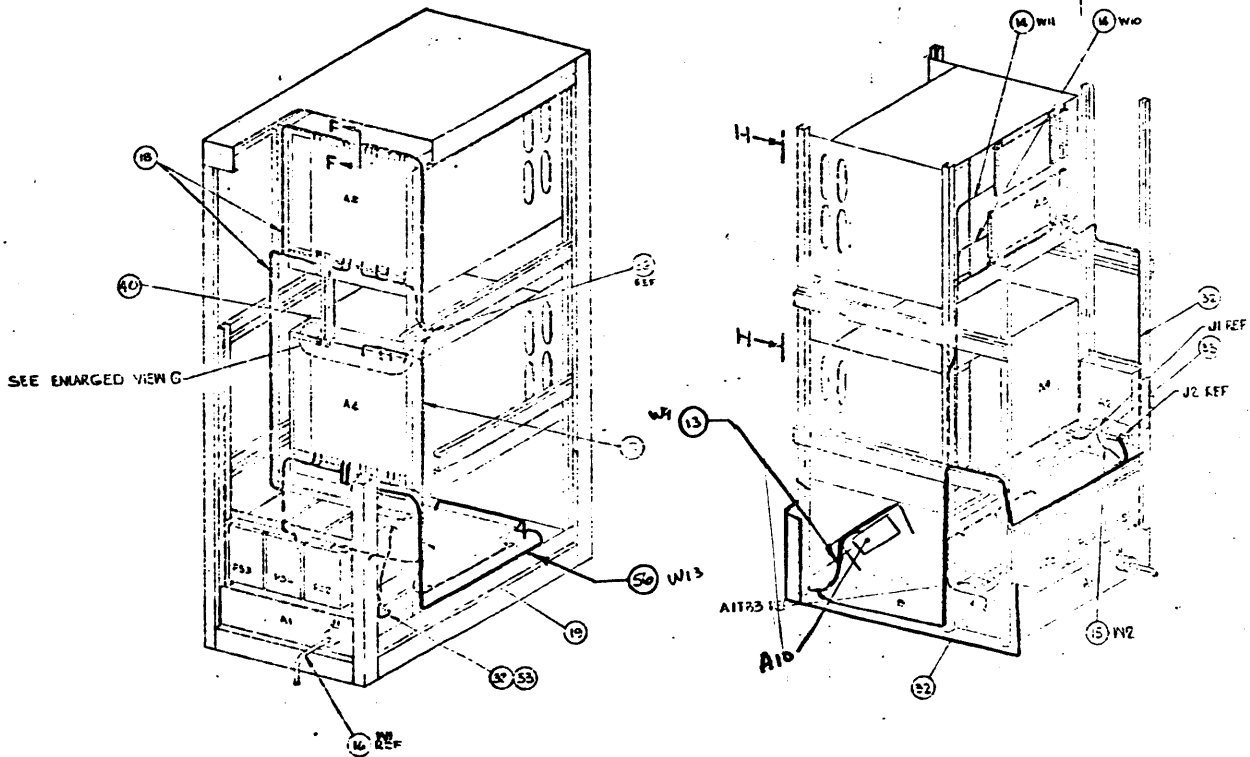
NOTES:


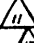
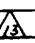
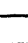
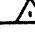

- 1. TO PROVIDE ITEM 42 TO 15 IN LBS.
- 2. PUT WHITE DOT OF W1-P1 ON A2-J1
- 3. PUT WHITE DOT OF W1-P2 ON A3-J1/EG.
- 4. PUT WHITE DOT OF W1-P3 ON A3-J1/EG.
- 5. PUT WHITE DOT OF W1-P4 ON A3-J1/EG.
- 6. ALTERNATE A2-J1-17.
- 7. PUT WHITE DOT OF W1-P5 ON A2-J2-20R5.
- 8. PUT WHITE DOT OF W1-P6 ON A3-J15-53.
- 9. ALTERNATE A3-J15-53.
- 10. PSC NGLDWP-502 ONLY.
- 11. PIN NUMBER TO BE ASSIGNED AT CONFIG. LEVEL
- 12. UNDERLINED PIN NUMBER CORRELATES TO PIN #1 ON CONNECTOR
- 13. PUT WHITE DOT OF W1-P4 ON A10-J6-9
- 14. PUT WHITE DOT OF W1-P3 ON A10-J6-3
- 15. PUT WHITE DOT OF W1-P2 ON A10-J6-33

INTERIM CHANGE PACKAGE (CONT.)

DESCRIPTION OF CHANGE:

DWG. 1270141 REV. F
ZONE 6/7



CABLE CONNECTION CHART		
ITEM NO.	FROM	TO 
55	W12 - P1	A3 - J3 2P ITEM 11
	W12 - P2	A10 - J1 33 - 48 
	W12 - P3	A10 - J6 - 1-3 
	W12 - P4	A10 - J6 - 7-2 
56	W13 - E1	A10 - J2
	W13 - E2	A10 - J4
	W13 - E3	A4 - BACK PLANE - GND 
	W13 - E4	A4 - BACK PLANE - +5V 

INTERIM CHANGE PACKAGE (CONT.)

DESCRIPTION OF CHANGE:

DWG. 1270176 REV. E

ADD: ALL DASH NUMBERS

<u>ITEM#</u>	<u>QTY</u>	<u>PART NUMBER</u>	<u>REA. DESGN.</u>	<u>DESCRIPTION</u>
56	1	1550146-902	A/D	COMPONENT ASSY, PRIORITY INTERRUPT TERM.

ADD: ALL DASH NUMBERS

<u>ITEM#</u>	<u>QTY</u>	<u>PART NUMBER</u>	<u>DESCRIPTION</u>
57	1	3250028-001	COVER (PRIORITY INTERRUPT)

ADD: ALL DASH NUMBERS

<u>ITEM#</u>	<u>QTY</u>	<u>PART NUMBER</u>	<u>DESCRIPTION</u>
58	4	2810212-108	SCREW, PAN HEAD, #6-32 x .875 LG

ADD: ALL DASH NUMBERS

<u>ITEM#</u>	<u>QTY</u>	<u>PART NUMBER</u>	<u>DESCRIPTION</u>
59	4	2810212-102	SCREW, PAN HEAD, #6-32 x .312 LG



COMMUNICATIONS AND
INFORMATION HANDLING

ICP NO: 78-524	DATE: 2-22-78
-------------------	------------------

INTERIM CHANGE PACKAGE (CONT.)

DESCRIPTION OF CHANGE:

DWG. 1270176 REV. E

ADD: ALL DASH NUMBERS

ITEM#	QTY	PART NUMBER	DESCRIPTION
60	8	2810211-003	WASHER #6

ADD: ALL DASH NUMBERS

ITEM#	QTY	PART NUMBER	DESCRIPTION
61	8	2810210-102	LOCKWASHER #6

ADD: ALL DASH NUMBERS

ITEM#	QTY	PART NUMBER	DESCRIPTION
62	4	3110002-208	STANDOFF, ROUND .250 O.D.

ADD: ALL DASH NUMBERS

ITEM#	QTY	PART NUMBER	REF DESIGNATION	DESCRIPTION
63	1	1850044-902	W14	CABLE ASS'Y, CPU PRIORITY INTERRUPT

ADD: ALL DASH NUMBERS.

ITEM#	QTY	PART NUMBER	REF DESIGNATION	DESCRIPTION
64	1	1830030-903	W15	CABLE ASSY, P1, TERM. DC. POWER

CHANGE: ALL DASH NUMBERS

FROM

ITEM#	QTY	PART NUMBER	REF DESIGNATION	DESCRIPTION
13	1	1830027-903	W13	CABLE ASS'Y, AIR FLOW, CLOCK

TO

ITEM#	QTY	PART NUMBER	REF DESIGNATION	DESCRIPTION
13	1	1850046-904	W13	CABLE ASS'Y, PRIORITY INTERRUPT

INTERIM CHANGE PACKAGE (CONT.)

DESCRIPTION OF CHANGE:

DWG 1270176 REV. E

ADD ALL DASH NUMBERS

ITEM#	QTY	PART NUMBER	REF DESGN.	DESCRIPTION
65	1	1870044-904	W1B	CABLE ASSY, OPTION PRIORITY INTERRUPT

ITEM NO	FROM	TO
16	W1P	A10
	W1S	A10 POWER (OUTLET)
15	W1E1	A2-J2-1
	W1E2	A2-J2-2
	W1E3	A2-J2-3
	W1E4	A2-J2-4
45	W1P	A10-36-16-11
	W1S	A10-36-16-12
49	W1E1	A2-J2-1
	W1E2	A2-J2-2
	W1E3	A2-J2-3
	W1E4	A2-J2-4
	W1E5	A2-J2-5
	W1E6	A2-J2-6
	W1E7	A2-J2-7
	W1E8	A2-J2-8
14		
45		
13		

49 HEADER NUMBER TO BE ASSIGNED AT CONFIG LEVEL

A10-36-16

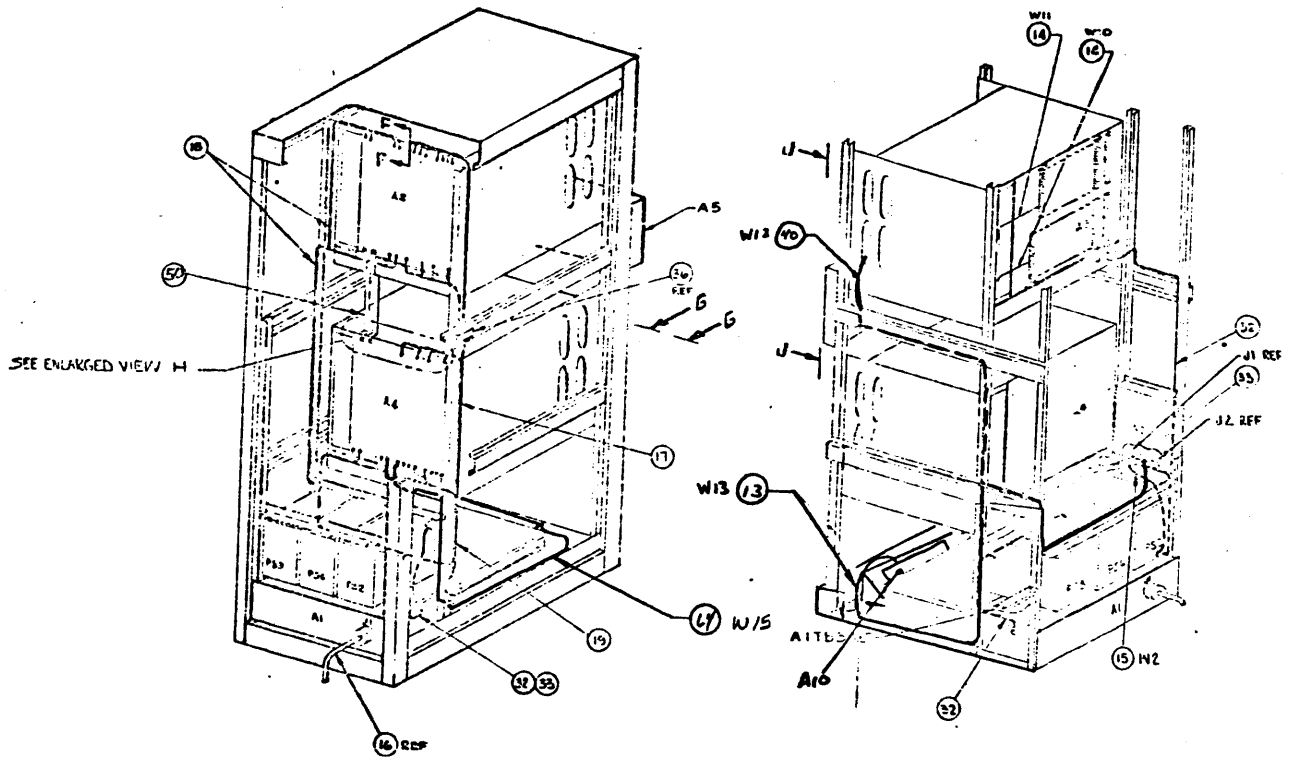
- 17** PUT WHITE DOT OF W14-P4 ON A10-36-9
- 17** PUT WHITE DOT OF W14-P3 ON A10-36-3
- 16** PUT WHITE DOT OF W14-P2 ON A10-31-33

- NOTES..**
- 1** LOCATION ASSIGNED AT SYSTEM CONFIGURATION
 - 2** TORQUE ITEM 42 TO 15IN LBS.
 - 3** MUST BE LOCATED IN A4 IF PRESENT
 - 4** PUT WHITE DOT OF W10-P1 ON A2-J2-11
 - 5** PUT WHITE DOT OF W11-P2 ON A3-J29-7
 - 6** ALTERNATE A2-J2-11E12
 - 7** PUT WHITE DOT OF W11-P1 ON A2-J2-2 OR 5
 - 8** PUT WHITE DOT OF W11-P2 ON A3-J29-93
 - 9** ALTERNATE A2-J2-536
 - 10** PUT WHITE DOT OF W12-P1 ON A2-J2-16
 - 11** PUT WHITE DOT OF W12-P2 ON A3-J2-1
 - 12** PUT WHITE DOT OF W13-P1 ON A2-J2-17
 - 13** P&G INGCOOR 502 ONLY.
 - 14** PIN NUMBER ASSIGNED AT CONFIG LEVEL
 - 15** UNOBLINDED PIN NUMBER CORRESPONDS TO PIN 1 ON CONNECTOR

INTERIM CHANGE PACKAGE (CONT.)

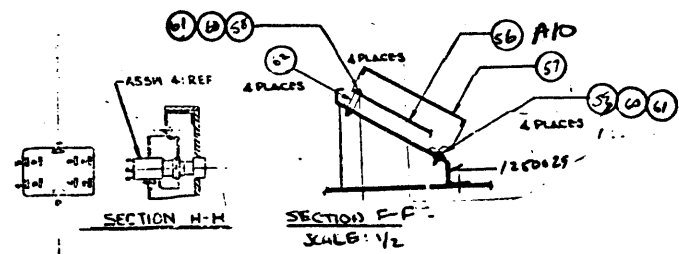
DESCRIPTION OF CHANGE:

DWG 1270176 REV. E
ZONE 4/6

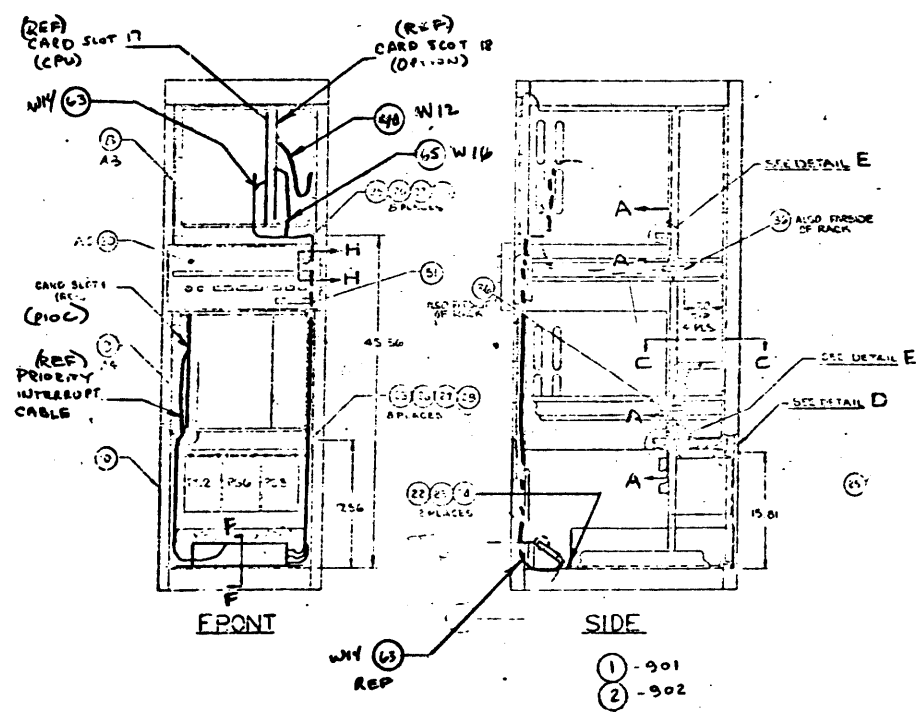


INTERIM CHANGE PACKAGE (CONT.)

DESCRIPTION OF CHANGE:
DWG. 1270176 REV. E
ZONE D3





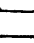
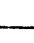

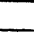
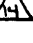
ZONE 6/7



INTERIM CHANGE PACKAGE (CONT.)

DESCRIPTION OF CHANGE:

DWG. 1270176 REV. E

CABLE CONNECTION CHART		
ITEM NO.	FROM	TO 
63	W14 - P1	A3 - J3 OF ITEM 11
	W14 - P2	A10 - J1 - 33 - 48 
	W14 - P3	A10 - J6 - 1 : 3 
	W14 - P4	A10 - J1 - 7 : 9 
64	W15 - E1	A10 - J2
	W15 - E2	A10 - J4
	W15 - E3	A4 - BACKPLANE - GND 
	W15 - E4	A4 - BACK PLANE - 15V 
65	W10 - P1	A3 - J3 OF ITEM 4
	W10 - P2	A10 - J1 - 

INTERIM CHANGE PACKAGE

DOCUMENT NUMBER: 0800004-102	DOCUMENT TITLE: SLASH 6 DRAWING MANUAL
--	--

EFFECTIVITY (SERIAL & MODEL NO.):
2-21-78

ECO/ECP REFERENCE:
0278C084-3

DESCRIPTION OF CHANGE:
**DWG. 1550117 REV. L
UPDATE RLC CHART**

REVISION		LEVEL CONTROL CHART													
APPLICABLE ASSY DASH NO.		901													
LOWEST USABLE ASSY LEVEL		X X X X X D X X X J K L													
DWG NO.	TITLE	USABLE DRAWING REVISION													
THIS DWG	ASSEMBLY	-	A	A	B	B	C	C	E	F	G	H	J	K	L
1510117	PARTS LIST	-	A	B	C	D	E	E	E	E	E	E	E	E	E
7070117	DRILL & DIM.	-	A	A	K	A	A	A	A	A	B	B	B	C	D
0970117	LCGIC DIAGRAM	-	-	-	A	B	B	B	B	C	C	D	E	E	E

**DWG. 7070117 REV D
UPDATE RLC CHART**

REVISION		LEVEL CONTROL CHART													
LOWEST USABLE PRINTED BOARD LEVEL		X A B C D													
THIS DRAWING -001															
DWG NO.	TITLE	USABLE DRAWING REVISION													
THIS DWG	DRILLING & DIM.	-	A	B	C	D									
7370127	LAYER 1	-	A	B	B	B									
7370128	LAYER 2	-	A	A	A	A									
7170123	SOLDER MASK L1	-	A	A	A	A									
7170124	SOLDER MASK L2	-	A	A	A	A									
7670117	DRILL MASTER	-	A	A	A	B									

INTERIM CHANGE PACKAGE

DOCUMENT NUMBER: 0800004-102	DOCUMENT TITLE: SLASH 6 DRAWING MANUAL
--	--

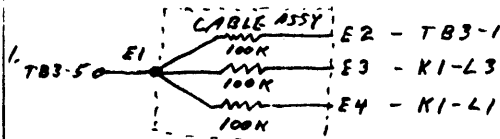
EFFECTIVITY (SERIAL & MODEL NO.):
3-3-78

ECO/ECP REFERENCE:
0278C098-4

DESCRIPTION OF CHANGE:

DWG. 0970276 REV. B

ADD TO SCHEMATIC:



1. TB3-5 TO TB2-4 (JUMPER)

2. ADD GND SIGN TO TB2-4

3. CHANGE POWER SUPPLY PICTORIALS AND RE-FORMAT USING DWG. 0970042 AS A REFERENCE.

4. ADD TB1 (DC COMMON TO CHASSIS)

5. ADD NOTE: NOT INCLUDED IN 002 (BY TB1)

6. ADD ②-002 TO FIELD OF DWG.

DWG. 1210130 REV. G

ADD:

ITEM	QTY	PART NO.	DESCRIPTION
76	1	1850051-901	CABLE ASSY.(PDU)

ADD ITEM 4B (ALL GROUPS)

AR	QTY	PART NO.	DESCRIPTION
AR	3710007-006	TUBING, HEAT SHRINKABLE	

INTERIM CHANGE PACKAGE (CONT.)

DESCRIPTION OF CHANGE:

DWG. 1270130 REV. G

1. ADD CABLE ASSY (PDU) #1850051-901 AND CONNECTION CHART.

CABLE ASSY CONNECTION CHART

E1 TO T83-5
E2 TO T83-1
E3 TO K1-L3
E4 TO K1-L1

2. ADD TO WIRE CHART

WIRE NO	WIRE I/E ^A NO	COLOR	PI REF	IR REF	P1 FROM	P2 TO
40	57	WHT	69	69	T82-4	T83-5

**3. ADD SHRINK TUBING TO ALL (B) FUSE CONNECTIONS.
PART NO. 3710007-006**

DWG. 1250117 - REV. A

ADD:

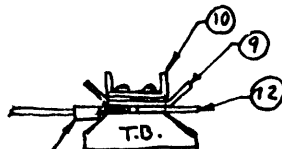
QTY	QTY	ITEM	PART NO.	DESCRIPTION
3	1	12	2210111-707	Q.D. TAB (1-SIDE 180°)

CHANGE:

FROM		TO		ITEM	PART NO.	DESCRIPTION
QTY	QTY	QTY	QTY			
1	1	9	4	9	2210111-403	Q.D. TAB (2 SIDE 90°)
1	1	9	4	9	-402	" (2 SIDE 45°)
5	1	6	2	8	-401	" (3 SIDE 180°)
4	1	-	-	7	-409	" (1 SIDE 90°)
6	2	-	-	6	-408	" (1 SIDE 45°)
3	2	-	-	5	-407	" (1 SIDE 180°)

NOTE: ITEM NO. 12, PART NO. 2210111-707, THE KULKA PART NO. IS KTT9.

PICTORIAL VIEW OF CHANGE



← SPRING SPADE TERMINAL USED ON PRIMARY POWER LEADS.

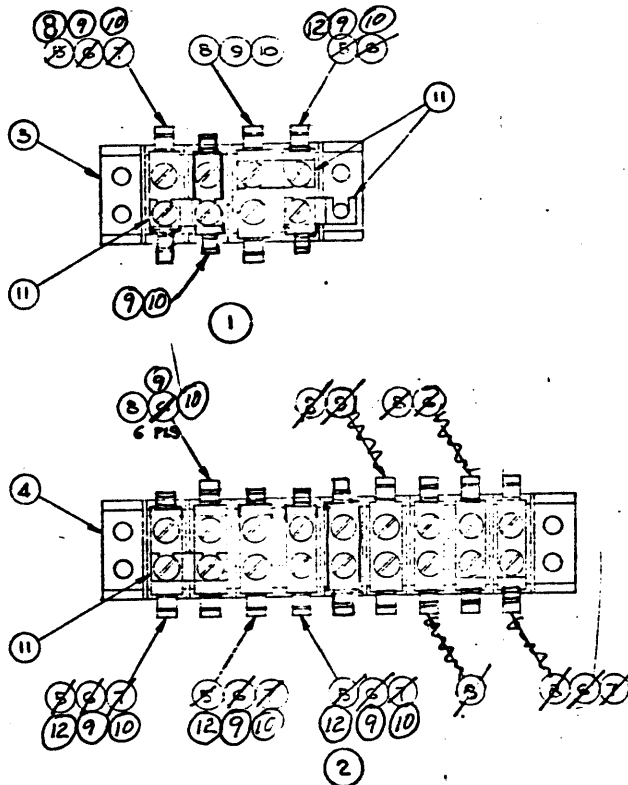
INTERIM CHANGE PACKAGE (CONT.)

DESCRIPTION OF CHANGE:

DWG. 1250117 (PARTS LIST)
REVISE AS SHOWN:

3	1	12		2210111-707		9D. TAB (1-SIDE 180°)
1	3	11		2210112-204		JUMPER
9	4	10		2210111-403		QUICK DISC. TABS (2500S 90°)
9	4	9		2210111-402		QUICK DISC. TABS (2500S 45°)
6	2	8		2210111-401		QUICK DISC. TABS (2500S 180°)
4	1	7		2210111-409		QUICK DISC. TABS (1500S 90°)
4	2	6		2210111-408		QUICK DISC. TABS (1500S 45°)
4	2	5		2210111-407		QUICK DISC. TABS (1500S 180°)
-	-	4		2210112-009		TERMINAL BLOCK (9 POS)
-	-	3		2210112-004		TERMINAL BLOCK (4 POS)
X	-	2		THIS DWG		TERMINAL BLOCK ASSY (9)
-	X	1		THIS DWG		TERMINAL BLOCK ASSY (4)
1902	901	ITEM	CODE	PART NO	HARRIS	DESCRIPTION
QTY	QTY	NO.	IDENT		PART NO.	

REVISE DWG AS SHOWN:



INTERIM CHANGE PACKAGE

DOCUMENT NUMBER: 0800004-102	DOCUMENT TITLE: SLASH 6 DRAWING MANUAL
--	--

EFFECTIVITY (SERIAL & MODEL NO.):
1-31-78

ECO/ECP REFERENCE:
0278C093-3

DESCRIPTION OF CHANGE:
DWG. 1570296 REV. D
UPDATE RLC CHART.

REVISION LEVEL CONTROL CHART			
APPLICABLE ASSY DASH NO.	901		
LOWEST USABLE ASSY LEVEL	XXXX		
DWG NO.	TITLE	USABLE DRAWING REVISION	
THIS DWG	ASSEMBLY	- A	B C D
1510296	P.C. ASSY. (P.L.)	- A	B C
7070296	P.W. BD. DRILL & DIM	- A	A B
0970296	LOGIC DIAGRAM	- A	A B

INTERIM CHANGE PACKAGE

DOCUMENT NUMBER: 0800004-102	DOCUMENT TITLE: SLASH 6 DRAWING MANUAL
--	--

EFFECTIVITY (SERIAL & MODEL NO.):
2-28-78

ECO/ECP REFERENCE:
0278C072-2

DESCRIPTION OF CHANGE:
DWG. 1570149
UPDATE RLC CHART.

REVISION LEVEL CONTROL CHART													
APPLICABLE ASSY DASH NO.		901											
LOWEST USABLE ASSY LEVEL		XXXXXX F G H											
DWG NO.	TITLE	USABLE DRAWING REVISION											
THIS DWG	ASSY.	-	A	B	C	D	E	F	G	H			
7070149	DRILL & DIM.	-	-	-	-	-	-	-	-	A	B		
0810113	WIRE LIST	-	-	-	-	1	2	3	3	3			

INTERIM CHANGE PACKAGE

DOCUMENT NUMBER: 0800004-102	DOCUMENT TITLE: SLASH 6 DRAWING MANUAL
--	--

EFFECTIVITY (SERIAL & MODEL NO.):
2-28-78

ECO/ECP REFERENCE:
02780073-2

DESCRIPTION OF CHANGE:

DWG. 1570244
UPDATE RLC CHART

REVISION LEVEL CONTROL CHART												
APPLICABLE ASSY DASH NO.		901										
LOWEST USABLE ASSY LEVEL		X X X X D E F G										
DWG NO.	TITLE	USABLE DRAWING REVISION										
THIS DWG		-	A	B	C	D	E	F	G			
7070244	ASSEMBLY	-	-	-	-	-	-	-	-	-	-	-
7070244	DRILL & DIM	-	-	-	-	-	-	-	-	-	-	-
0510114	WIRE LIST	-	-	-	1	2	3	3	3	3	3	3

INTERIM CHANGE PACKAGE

DOCUMENT NUMBER: 0800004-102	DOCUMENT TITLE: SLASH 6 DRAWING MANUAL
---------------------------------	---

EFFECTIVITY (SERIAL & MODEL NO.):
1-31-78

ECO/ECP REFERENCE:
0278C092-2

DESCRIPTION OF CHANGE:
DWG. 1570115

UPDATE RLC CHART

REVISION LEVEL CONTROL CHART																
APPLICABLE ASSY DASH NO.		- 901														
LOWEST USABLE ASSY LEVEL		ABCDEFGHIJKLMNPR														
DWG NO.	TITLE	USABLE DRAWING REVISION														
THIS DWG	ASSEMBLY	A	B	C	D	E	F	G	H	J	K	L	M	N	P	R
1510115	PARTS LIST	A	B	C	D	E	F	F	G	G	H	H	J	J	J	
7070115	DRILL & DIM.	A	A	A	A	B	B	B	C	C	D	E	E	D	F	
0970115	LOGIC DIAGRAM	-	A	A	B	C	C	D	E	F	G	H	H	J	K	K



COMMUNICATIONS AND INFORMATION HANDLING

ICP NO:

78-533

DATE:

2-22-78

INTERIM CHANGE PACKAGE

DOCUMENT NUMBER:

0800004-102

DOCUMENT TITLE:

SLASH & DRAWING MANUAL

EFFECTIVITY (SERIAL & MODEL NO.):

3-6-78

ECO/ECP REFERENCE:

0178C012-23 REV. B

DESCRIPTION OF CHANGE:

COVER SHEET

CHANGE PART NO. FROM: 3110037 WASHER, SPRING
TO: 3110018 SPRING WASHER

REV. A

SEE SHEET 2 FOR LIST OF ADDITIONAL MANUALS AFFECTED.

REV B CHANGES REV OF EMA 39107 ON ECP & ECO FROM L TO K. ALSO UPDATES RLC TO REFLECT THE CORRECT REV.

DWG EMA 39107
UPDATE RLC CHART

REVISION LEVEL CONTROL CHART

APPLICABLE ASSY DASH NO.	TITLE	REVISION
DD3063	GRILL & DIM	E E E
WL3910-002	WIRE LIST	E E E
LD3910	LOGIC DIAGRAM	K K K

REV B CHANGES LOWEST USABLE REV AND THIS DWG REV FROM L TO K

INTERIM CHANGE PACKAGE

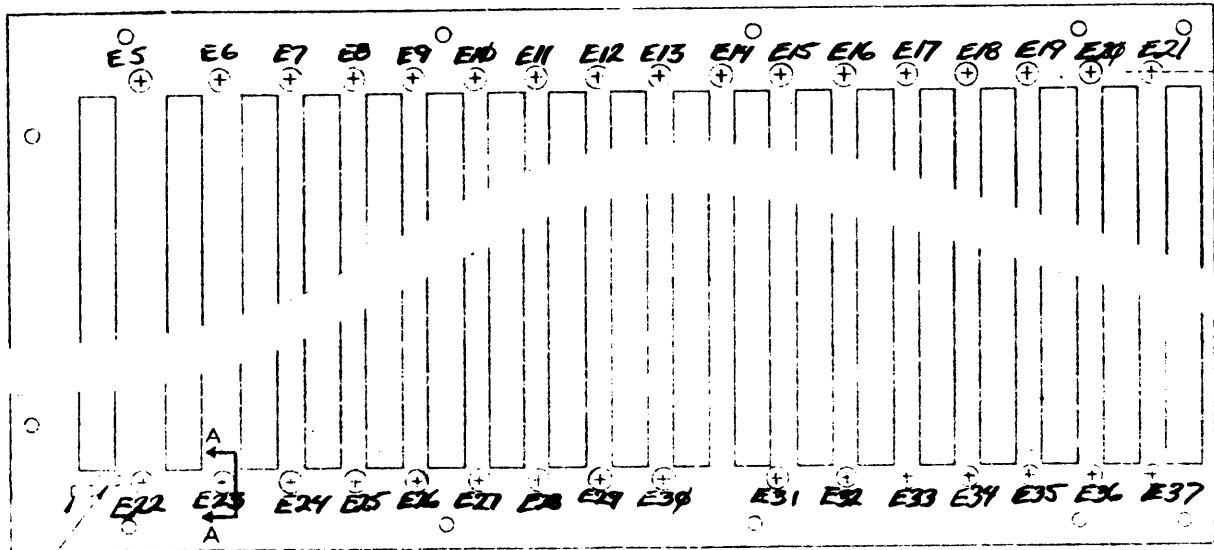
DOCUMENT NUMBER: 0800004-102	DOCUMENT TITLE: SLASH 6 DRAWING MANUAL
---------------------------------	---

EFFECTIVITY (SERIAL & MODEL NO.):
6-19-78

ECO/ECP REFERENCE:
0278C127-2

DESCRIPTION OF CHANGE:
 DWG. 1570149 REV. J
 ADD "E" NUMBERS TO ASSY. PICTURE AS SHOWN.
 UPDATE RLC CHART.

(CUT-AWAY VIEW)



UPDATE RLC CHART

REVISION LEVEL CONTROL CHART									
APPLICABLE ASSY DASH NO. 301									
LOWEST USABLE ASSY LEVEL: HJ									
DWG NO.	TITLE	USABLE DRAWING REVISION							
THIS DWG	ASSEMBLY	-	-	-	-	-	-	-	HJ
7070149	WIRE LIST	-	-	-	-	-	-	-	HJ
0310113	WIRE LIST	-	-	-	-	-	-	-	HJ



COMMUNICATIONS AND
INFORMATION HANDLING

ICP NO: 78-535	DATE: 3-1-78
-------------------	-----------------

INTERIM CHANGE PACKAGE

DOCUMENT NUMBER: 0800004-102	DOCUMENT TITLE: SLASH 6 DRAWING MANUAL
---------------------------------	---

EFFECTIVITY (SERIAL & MODEL NO.): 6-19-78
--

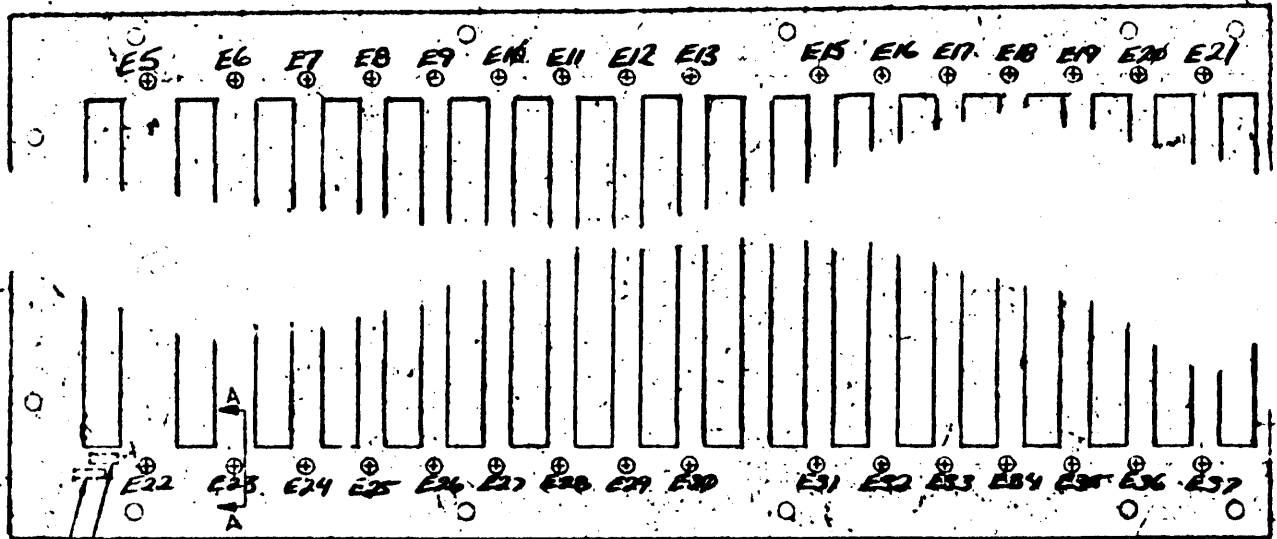
ECO/ECP REFERENCE: 0278C128-2

DESCRIPTION OF CHANGE:

DWG. 1570127 REV. C

ADD "E" NUMBERS TO ASSEMBLY PICTURE AS SHOWN.

UPDATE RLC CHART.



UPDATE RLC CHART

REVISION LEVEL CONTROL CHART			
APPLICABLE ASSY DASH NO.	901		
LOWEST USABLE ASSY LEVEL	-KBCDE		
DWG NO.	TITLE	USABLE DRAWING REVISION	
THIS DWG	ASSEMBLY	-ABCDE	
7070127	DRILL & DIM	-AABBB	

INTERIM CHANGE PACKAGE

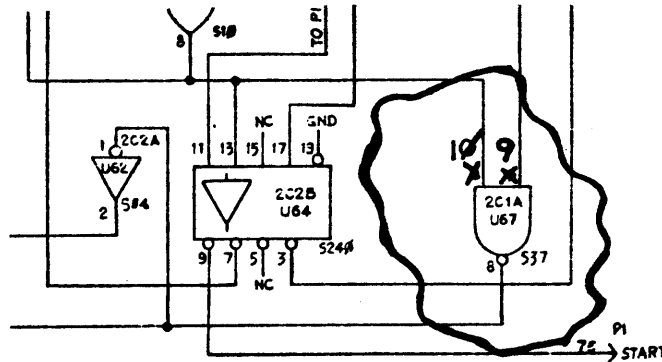
DOCUMENT NUMBER:
0800004-102

DOCUMENT TITLE:
SLASH 6 DRAWING MANUAL

EFFECTIVITY (SERIAL & MODEL NO.):
3-6-78

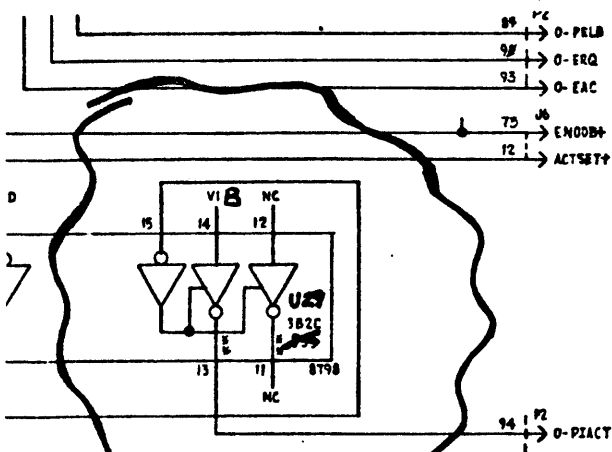
ECO/ECP REFERENCE:
0278C130-2

DESCRIPTION OF CHANGE:
DWG. 0970115 REV. L SH.2-REVISE
ZONE C1

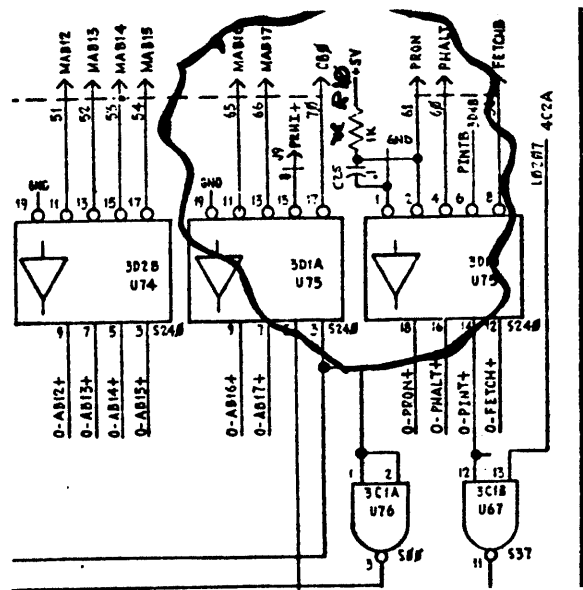


ZONE A2 SH.3

SH.3 ZONE D1



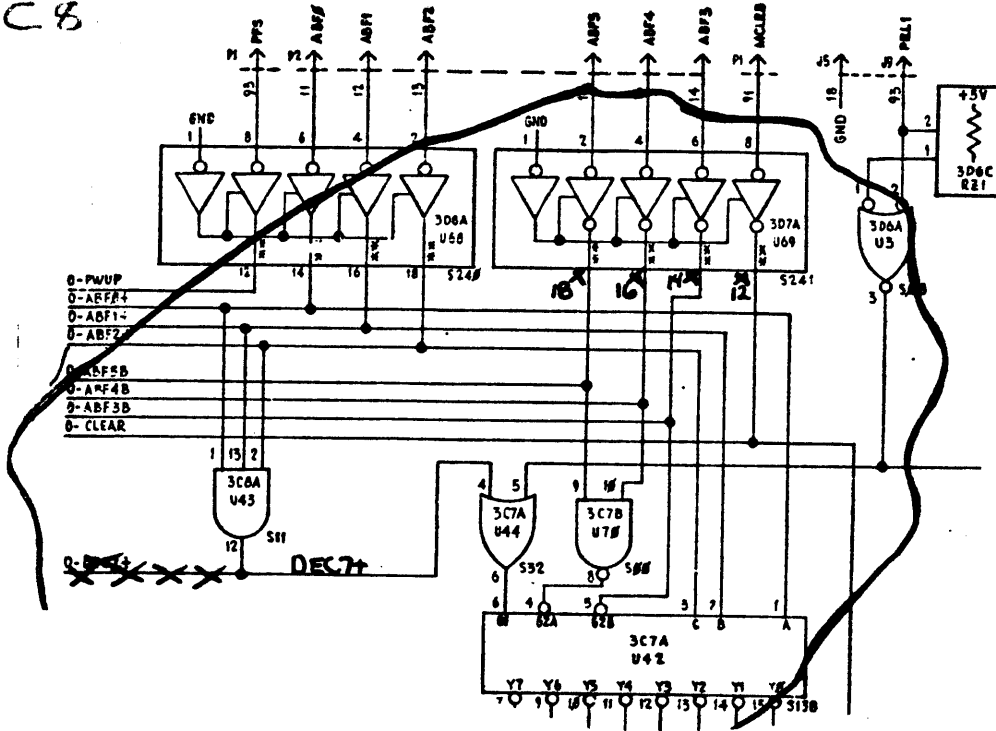
OPTION BOARD



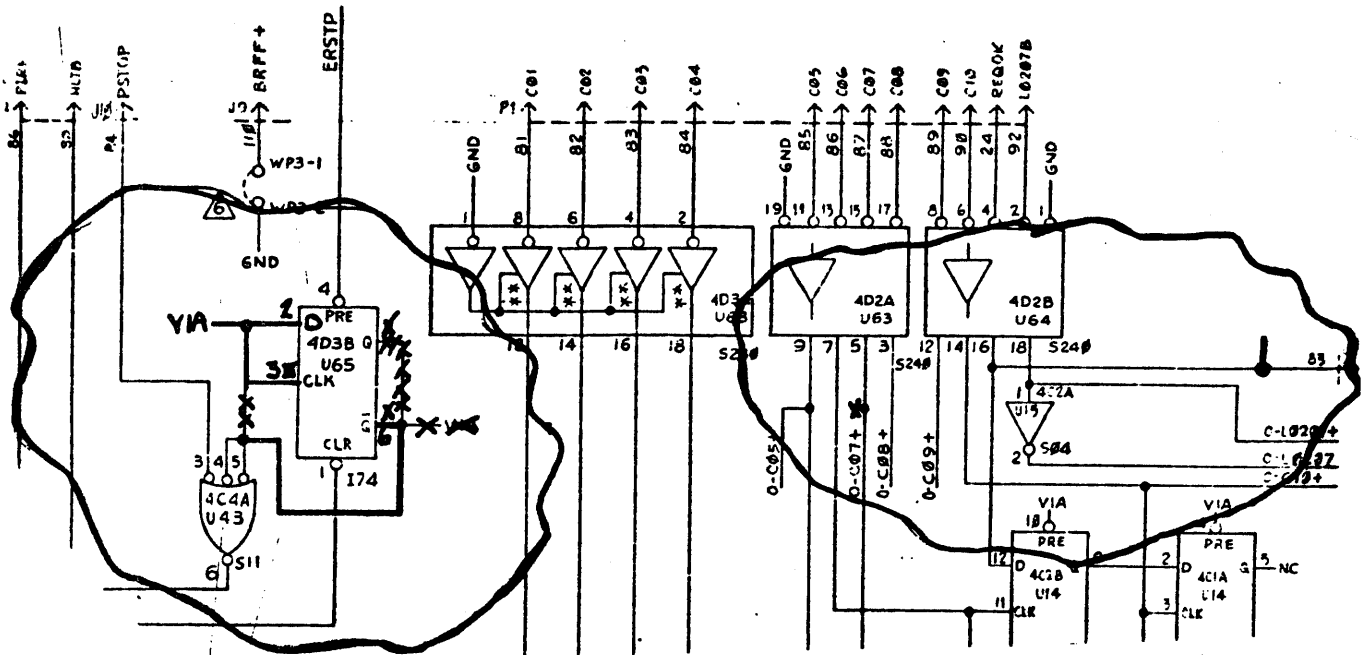
INTERIM CHANGE PACKAGE (CONT.)

DESCRIPTION OF CHANGE:

DWG. 0970115 REV. L SH. 4
ZONE C8



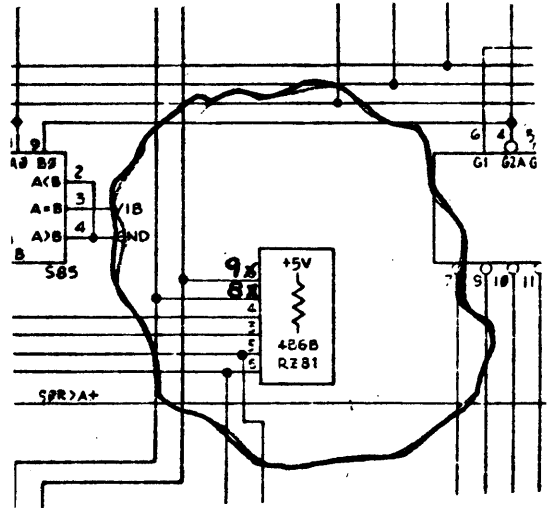
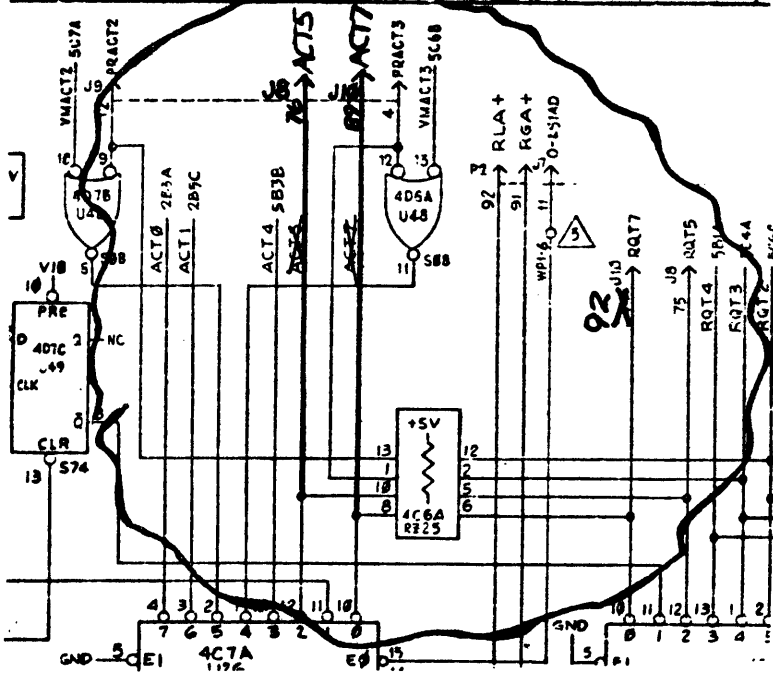
SH. 5 ZONE 3,4



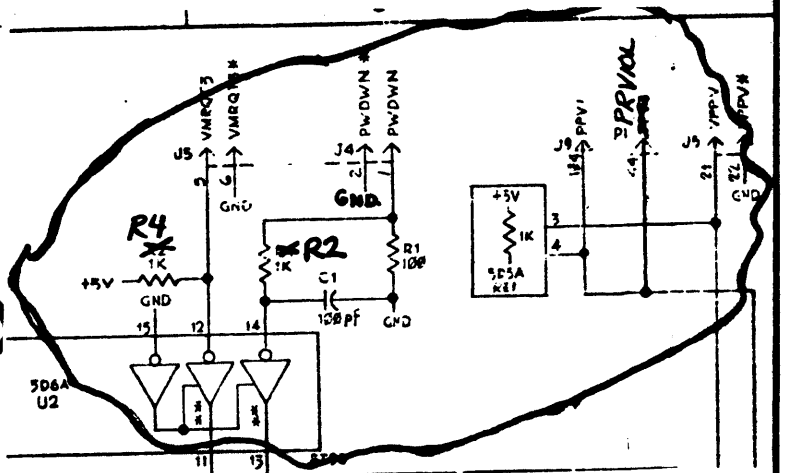
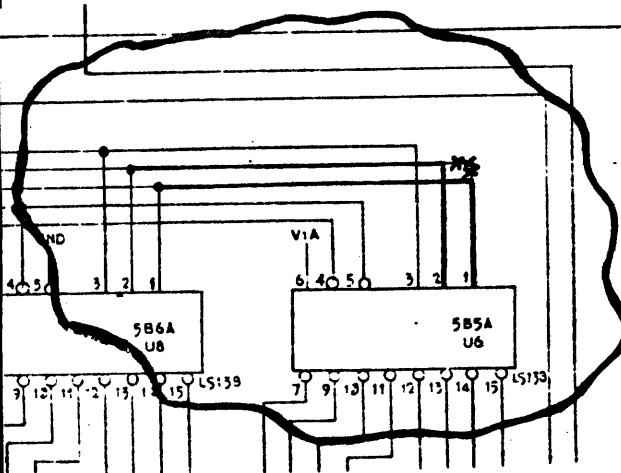
INTERIM CHANGE PACKAGE (CONT.)

DESCRIPTION OF CHANGE:

DWG. 0970115 REV. L
SH. 6 ZONE C 6



ZONE D 5



INTERIM CHANGE PACKAGE (CONT.)

DESCRIPTION OF CHANGE:

DWG. 1570115 REV. S
UPDATE RLC CHART.

REVISION LEVEL CONTROL CHART																	
APPLICABLE ASSY DASH NO.		- 901															
LOWEST USABLE ASSY LEVEL		X	X	X	X	X	X	X	X	X	X	X	N	P	R	S	
DWG NO.	TITLE	USABLE DRAWING REVISION															
THIS DWG	ASSEMBLY	A	B	C	D	E	F	G	H	J	K	L	M	N	P	R	S
1510115	PART LIST	A	B	C	D	E	E	F	F	G	H	H	J	J	J	J	J
1070115	DRILL & DIM	A	A	A	A	B	B	B	C	C	C	D	E	E	D	F	F
0970115	LOGIC DIAGRAM	-	A	A	B	C	C	D	E	F	G	H	H	J	K	K	L

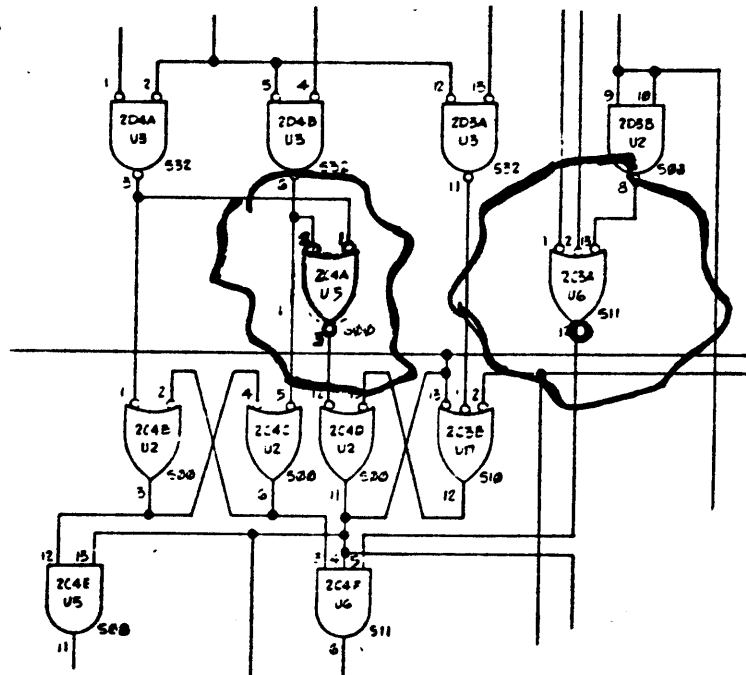
INTERIM CHANGE PACKAGE

DOCUMENT NUMBER: 0800004-102	DOCUMENT TITLE: SLASH 6 DRAWING MANUAL
--	--

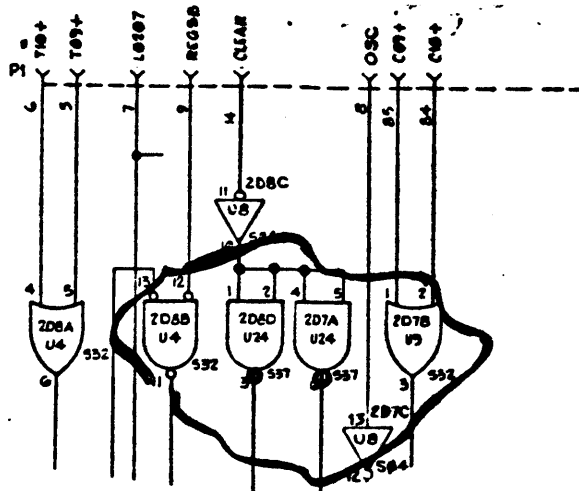
EFFECTIVITY (SERIAL & MODEL NO.):
3-6-78

ECO/ECP REFERENCE:
0278C131-2

DESCRIPTION OF CHANGE:
DWG. 0970113 REV. D SH. 2
ZONE C3/4



ZONE D8



INTERIM CHANGE PACKAGE (CONT.)

DESCRIPTION OF CHANGE:

DWG. 1550113 REV. J

UPDATE RLC CHART

REVISION LEVEL CONTROL CHART													
APPLICABLE ASSY DASH NO.		901											
LOWEST USABLE ASSY LEVEL		X X X X X X X X H J											
DWG NO.	TITLE	USABLE DRAWING REVISION											
		A	B	C	D	E	F	G	H	J			
THIS DWG	ASSEMBLY												
1510113	PARTS LIST	A	B	C	D	D	D	D	D	D			
7070113	DRILL & DIM.	A	A	A	A	A	B	C	C	C			
0970113	LOGIC DIAGRAM	-	-	A	A	A	B	B	B	C	D		



INTERIM CHANGE PACKAGE

DOCUMENT NUMBER:

0800004-102

DOCUMENT TITLE:

SLASH 6 DRAWING MANUAL

EFFECTIVITY (SERIAL & MODEL NO.):

3-6-78

ECO/ECP REFERENCE:

0278C126-3

DESCRIPTION OF CHANGE:

DWG. 1570334 REV. N
UPDATE RLC CHARTS.

REVISION LEVEL CONTROL CHART		
APPLICABLE ASSY DASH NO.		902
LOWEST USABLE ASSY LEVEL		XXXX
DWG NO.	TITLE	USABLE DRAWING REVISION
THIS DWG	ASSEMBLY	K L M N
1510334	P.C. ASSY. (PL)	E F G
7070334	P.W. BD. DRILL & DIM.	A A A A
0970334	LOGIC DIAGRAM	H H J K

REVISION LEVEL CONTROL CHART		
APPLICABLE ASSY DASH NO.		901
LOWEST USABLE ASSY LEVEL		XXXXXX
DWG NO.	TITLE	USABLE DRAWING REVISION
THIS DWG	ASSEMBLY	- A B C D E F G H I J K L M N
1510334	P.C. ASSY. (PL)	- A A A A B B C D E E E G G
7070334	P.W. BD. DRILL & DIM.	- - - - - A A A A A A
0970334	LOGIC DIAGRAM	- A B C D E E F G H - J K

DWG. 0970334 REV. K
REVISE DWG. AS SHOWN:

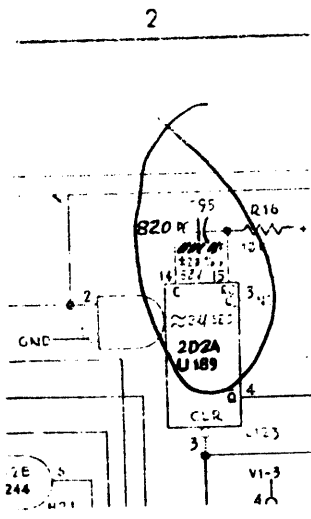
UNUSED CIRCUITS		
REF. DES	TYPE	SPARE
U2	105	2
U6	LS10	2
U240	H44	1
U244	H21	1
U30B	53B	2
U106	-	SPARE
U213	-	SPARE
U272	-	SPARE

SHEET 1 ZONE 1 of 2 C

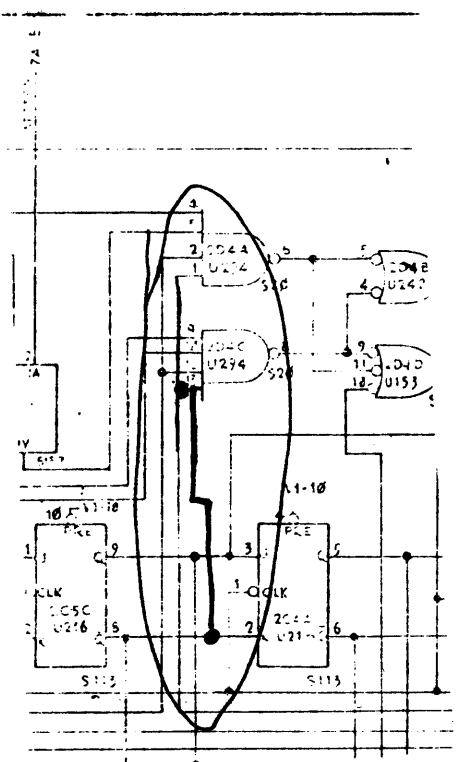
INTERIM CHANGE PACKAGE (CONT.)

DESCRIPTION OF CHANGE:

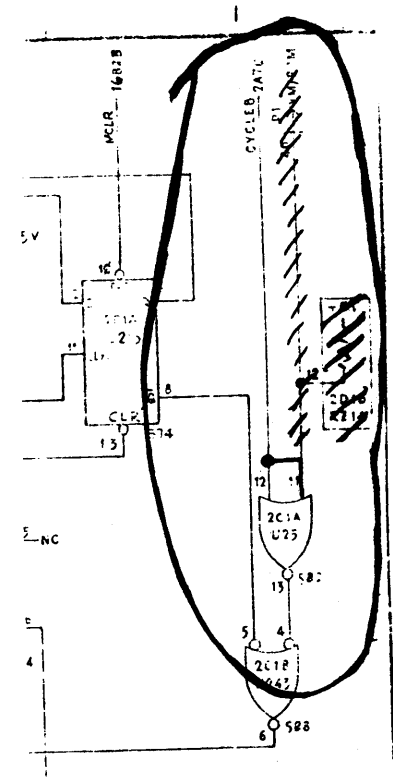
DWG. 0970334 REV. K
REVISE DWG. AS SHOWN:



SHEET 2
ZONE 2D



SHEET 2
ZONE 4D



SHEET 2
ZONE 1C

DWG. 1510334 REV. G
REVISE DWG.

ON 1510334 SHEET 4 CHANGE:

FROM

ITEM	QTY	QTY	PART NUMBER	REF DES	DESCRIPTION
36	1	1	4210001-011	C95	CAP, CERAMIC, 470PF ±20%, 50V

TO

36	1	1	4210000-027	C95	CAP, CERAMIC, 820PF ±10%, 100V
----	---	---	-------------	-----	--------------------------------

INTERIM CHANGE PACKAGE

DOCUMENT NUMBER: 0800004-102	DOCUMENT TITLE: SLASH 6 DRAWING MANUAL
--	--

EFFECTIVITY (SERIAL & MODEL NO.):

ECO/ECP REFERENCE:
1077C622-71

DESCRIPTION OF CHANGE:
**DWG. 1870020 REV. D
REVISE DWG. AS FOLLOWS:**

CHANGE PART NO. AND DESCRIPTION

	ITEM	PART NO.	DESCRIPTION
FROM:	11	3710008-001	TAPE, SPONGE INSULATOR
TO:	11	3710017-001	RUBBER TAPE

INTERIM CHANGE PACKAGE

DOCUMENT NUMBER: 0800004-102	DOCUMENT TITLE: SLASH 6 DRAWING MANUAL
--	--

EFFECTIVITY (SERIAL & MODEL NO.):
6-5-78

ECO/ECP REFERENCE:
0278C145-16

DESCRIPTION OF CHANGE:
DWG. 1270130 REV. H

CHANGE DRAWING TO REFLECT FIBER REPLACEMENT (REF. DWG. 1270079-901)

CHANGE WIRE NO. 17

<u>FROM:</u>				<u>TO:</u>			
PI REF. TERM. ITEM NO.	PI REF. TERM. ITEM NO.	PI FROM	PI TO	PI REF. TERM. ITEM NO.	PI REF. TERM. ITEM NO.	PI FROM	PI TO
64	NONE	FLI-1	KI-L1	NONE	NONE	FLI-PWR(LINE)	KI-L1

CHANGE WIRE NO. 18

<u>FROM:</u>				<u>TO:</u>			
PI REF. TERM. ITEM NO.	PI REF. TERM. ITEM NO.	PI FROM	PI TO	PI REF. TERM. ITEM NO.	PI REF. TERM. ITEM NO.	PI FROM	PI TO
64	NONE	FLI-2	KI-L3	NONE	NONE	FLI-PWR(LINE)	KI-L3

CHANGE WIRE NO. 22

<u>FROM:</u>				<u>TO:</u>			
PI REF. TERM. ITEM NO.	PI REF. TERM. ITEM NO.	PI FROM	PI TO	PI REF. TERM. ITEM NO.	PI REF. TERM. ITEM NO.	PI FROM	PI TO
66	64	TR2-2	FLI-3	66	NONE	TR2-2	FLI-N(LINE)



COMMUNICATIONS AND INFORMATION HANDLING

ICP NO:

78-546

DATE:

3-14-78

INTERIM CHANGE PACKAGE (CONT.)

DESCRIPTION OF CHANGE:

DWG. 1270130 REV. H

CHANGE WIRE NO. 23

FROM:

P1 REF TERM. ITEM NO.	P2 REF TERM. ITEM NO.	P1 FROM	P2 TO
66	64	TB3-3	FLI-4

TO:

P1 REF TERM. ITEM NO.	P2 REF TERM. ITEM NO.	P1 FROM	P2 TO
66	65	TB3-3	FLI-PH(LOAD)

CHANGE WIRE NO. 24

FROM:

P1 REF TERM. ITEM NO.	P2 REF TERM. ITEM NO.	P1 FROM	P2 TO
66	64	TB3-4	FLI-5

TO:

P1 REF TERM. ITEM NO.	P2 REF TERM. ITEM NO.	P1 FROM	P2 TO
66	65	TB3-4	FLI-PH(LOAD)

CHANGE WIRE NO. 25

FROM:

P1 REF TERM. ITEM NO.	P2 REF TERM. ITEM NO.	P1 FROM	P2 TO
66	64	TB3-1	FLI-6

TO:

P1 REF TERM. ITEM NO.	P2 REF TERM. ITEM NO.	P1 FROM	P2 TO
66	65	TB3-1	FLI-N(LOAD)

ADD WIRE No. 39

WIRE NO.	WIRE STRAND	COLOR	P1 REF TERM. ITEM NO.	P2 REF TERM. ITEM NO.	P1 FROM	P2 TO
39	54	GR/WL	66	65	TB2-4	FLI-COM(LOAD)

ADD WIRE NO. 40

WIRE NO.	WIRE STRAND	COLOR	P1 REF TERM. ITEM NO.	P2 REF TERM. ITEM NO.	P1 FROM	P2 TO
40	54	GR/WL	NONE	NONE	J1-6	FLI-END(LINE)

DELETE WIRE NO. 4

WIRE NO.	WIRE STRAND	COLOR	P1 REF TERM. ITEM NO.	P2 REF TERM. ITEM NO.	P1 FROM	P2 TO
4	54	GR/WL	66	NONE	TB2-4	J1-6

ADD NOTE 6

1/4" MAX. LENGTH. HAZARDOUS VOLTAGE PRESENT
PER SHIT 5 OF THIS ECP.

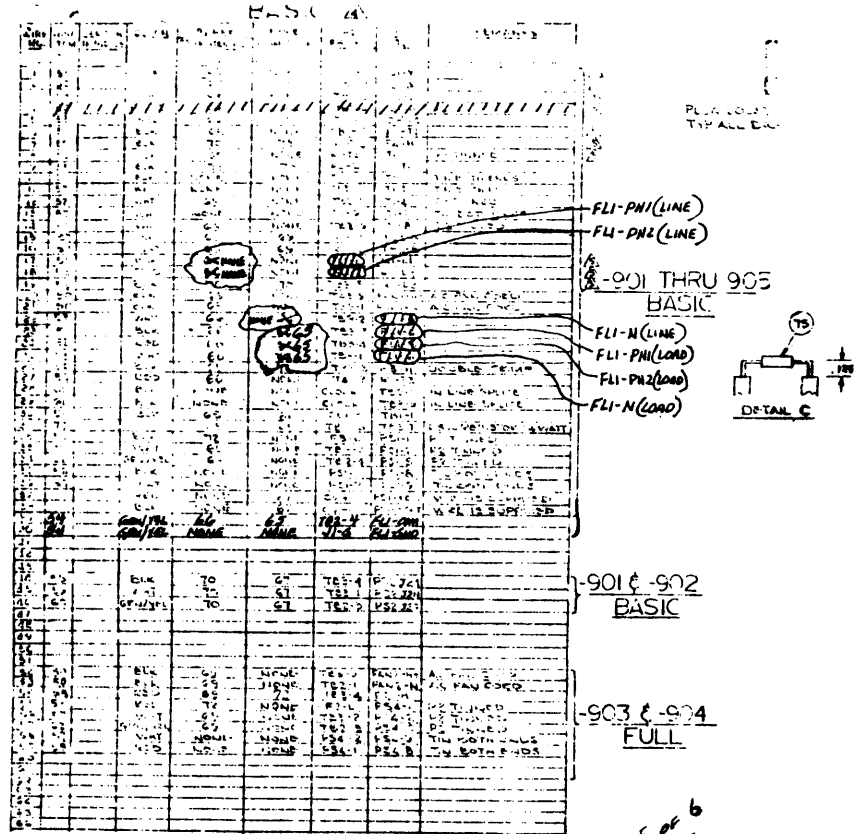
DELETE CABLE ASSY 1850051-901 AND

CONNECTION CHART

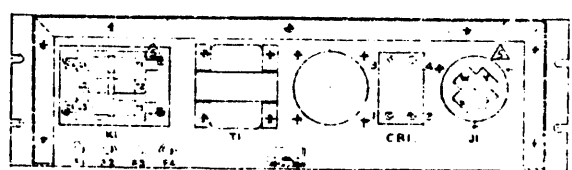
DELETE WIRE # 40 ITEM 57 COLOR WHT P1 REF 69 P2 REF 69 P1 FROM T82-4 P2 TO T83-5

INTERIM CHANGE PACKAGE (CONT.)

DESCRIPTION OF CHANGE:
DWG 1270130 REV. H
ZONE DG-7



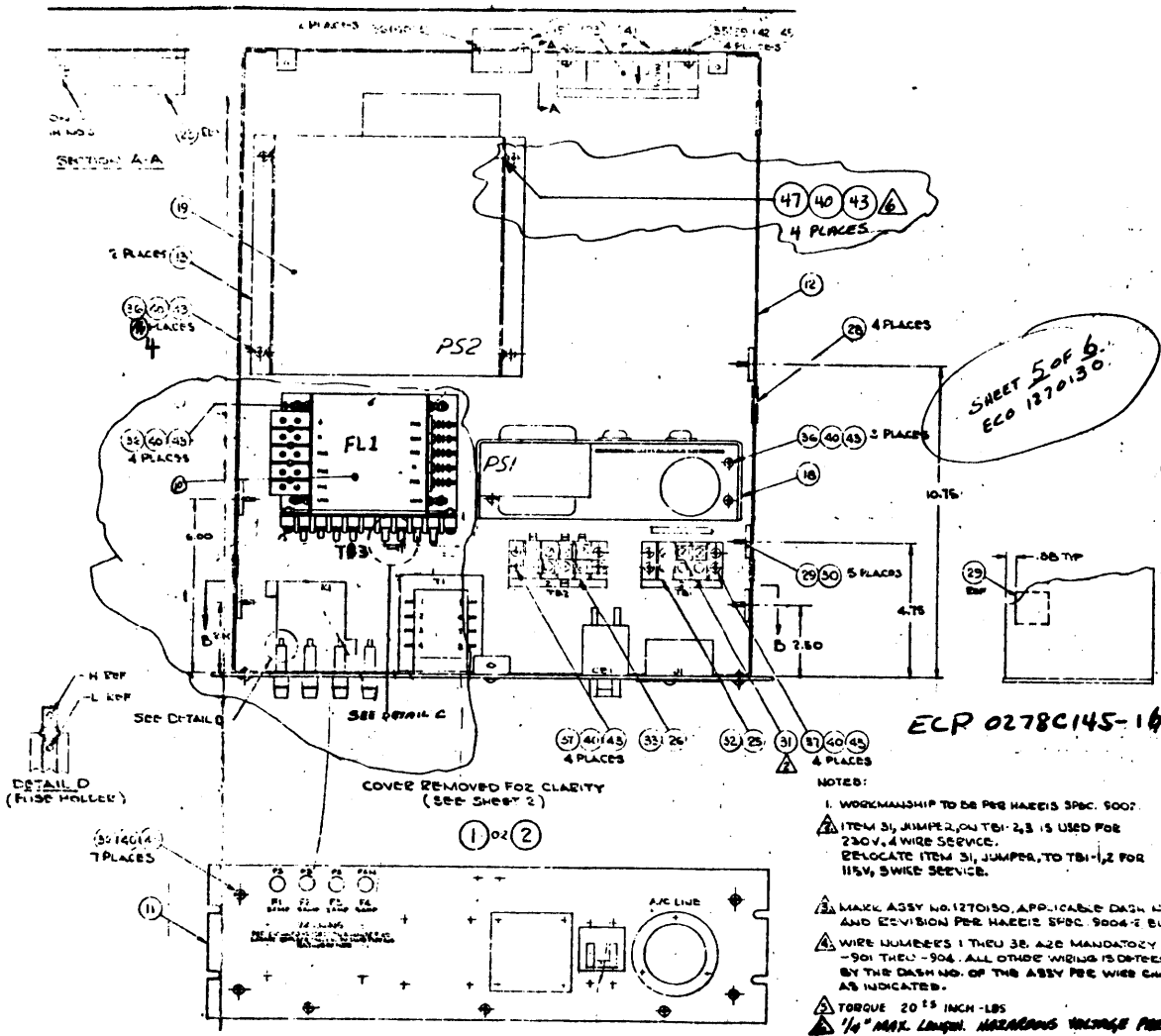
SHEET 5 of 6
 ECO 1270130



SECTION B-B
 OF ALL CHANGES

INTERIM CHANGE PACKAGE (CONT.)

DESCRIPTION OF CHANGE:
DWG. 1270130 REV. H
ZONE C&D 2-3



SHEET 5 OF 6
 ECO 1270130

ELC 0278C145-16

INTERIM CHANGE PACKAGE (CONT.)

DESCRIPTION OF CHANGE:

DWG. 1210130 REV. H
REVISE DWG.

CHANGE QTY. OF ITEM 14

FROM:

905	904	903	902	901	PART NUMBER	DESCRIPTION
1	1	1	1	1	3250109-001	BRACKET, TERMINAL BLOCK

TO:

905	904	903	902	901	PART NUMBER	DESCRIPTION
-	-	-	-	-	3250109-001	BRACKET, TERMINAL BLOCK

CHANGE QTY. OF ITEM 27

FROM:

905	904	903	902	901	PART NUMBER	DESCRIPTION
1	1	1	1	1	1250117-902	TERMINAL BLOCK ASSY. (9 PWS)

TO:

905	904	903	902	901	PART NUMBER	DESCRIPTION
-	-	-	-	-	1250117-902	TERMINAL BLOCK ASSY. (9 PWS)

CHANGE QTY. OF ITEM 34

FROM:

905	904	903	902	901	PART NUMBER	DESCRIPTION
1	1	1	1	1	2210112-109	MARKER STRIP (9 PWS)

TO:

905	904	903	902	901	PART NUMBER	DESCRIPTION
-	-	-	-	-	2210112-109	MARKER STRIP (9 PWS)

CHANGE QTY. OF ITEM 37

FROM:

905	904	903	902	901	PART NUMBER	DESCRIPTION
12	12	12	12	12	2810212-207	SCREW, PHIL, PAN HD #8-32 x 3/4

TO:

905	904	903	902	901	PART NUMBER	DESCRIPTION
8	8	8	8	8	2810212-207	SCREW, PHIL, PAN HD #8-32 x 3/4

CHANGE QTY. OF ITEM 46

FROM:

905	904	903	902	901	PART NUMBER	DESCRIPTION
4	4	4	4	4	2810208-003	NUT, HEX, STD #8-32

TO:

905	904	903	902	901	PART NUMBER	DESCRIPTION
-	-	-	-	-	2810208-003	NUT, HEX, STD #8-32

CHANGE QTY. OF ITEM 22

FROM:

905	904	903	902	901	PART NUMBER	DESCRIPTION
1	1	1	1	1	621005-001	LINE FILTER

TO:

905	904	903	902	901	PART NUMBER	DESCRIPTION
-	-	-	-	-	621005-001	LINE FILTER

ADD ITEM NUMBER 10

905	904	903	902	901	PART NUMBER	DESCRIPTION
1	1	1	1	1	1270079-901	FILTER/FA ASSY

INTERIM CHANGE PACKAGE (CONT.)

DESCRIPTION OF CHANGE:

DWG 1210130 REV. H
REVISE DWG.

CHANGE QTY OF ITEM 36:

FROM:

905	904	903	902	901	PART NUMBER	DESCRIPTION
28	23	23	31	31	2810212-203	SCREW, PHIL, PAN HD #8-32 X 3/8

TO:

905	904	903	902	901	PART NUMBER	DESCRIPTION
19	19	19	27	27	2810212-203	SCREW, PHIL, PAN HD #8-32 X 3/8

CHANGE QTY OF ITEM 40:

FROM:

905	904	903	902	901	PART NUMBER	DESCRIPTION
36	36	36	40	40	2810102-003	WASHER, LOCK, INT. TOOTH #8

TO:

905	904	903	902	901	PART NUMBER	DESCRIPTION
28	28	28	32	32	2810102-003	WASHER, LOCK, INT. TOOTH #8

CHANGE QTY OF ITEM 43:

FROM:

905	904	903	902	901	PART NUMBER	DESCRIPTION
36	36	36	40	40	2810211-004	WASHER, FLAT #8

TO:

905	904	903	902	901	PART NUMBER	DESCRIPTION
28	28	28	32	32	2810211-004	WASHER, FLAT #8

DELETE: 901-905

ITEM 76 1 1850051-901 CABLE ASSY

CHANGE QTY OF ITEM 64

FROM:

905	904	903	902	901	PART NUMBER	DESCRIPTION
6	6	6	6	6	2210101-209	TERMINAL LUG, SLOTTED

TO:

905	904	903	902	901	PART NUMBER	DESCRIPTION
-	-	-	-	-	2210101-209	TERMINAL LUG, SLOTTED

CHANGE QTY AND DESCRIPTION OF ITEM 65

FROM:

905	904	903	902	901	PART NUMBER	DESCRIPTION
4	4	4	4	4	2210101-208	TERMINAL LUG, SLOTTED

TO:

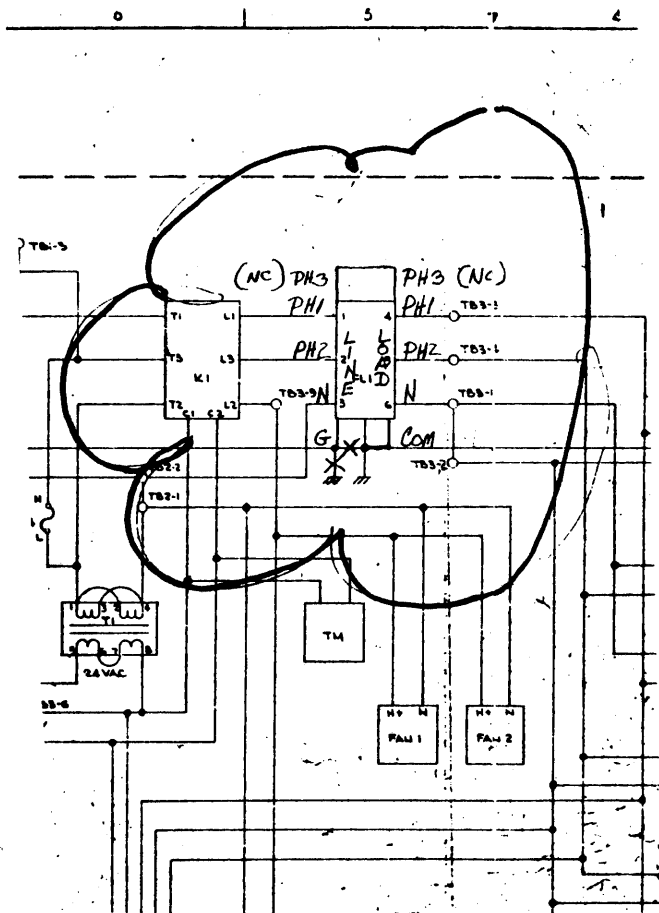
905	904	903	902	901	PART NUMBER	DESCRIPTION
8	8	8	8	8	2210101-208	TERMINAL LUG, SLOTTED

ADD ITEM 47

905	904	903	902	901	PART NUMBER	DESCRIPTION
-	-	-	4	4	2810212-201	SCREW, PHIL, PAN HD #8-32 X 1/4

INTERIM CHANGE PACKAGE (CONT.)

DESCRIPTION OF CHANGE:
DWG. 0970276 REV. C
ZONE C, D-5





INTERIM CHANGE PACKAGE

DOCUMENT NUMBER:

0800004-103

DOCUMENT TITLE:

SLASH 6 DRAWING MANUAL

EFFECTIVITY (SERIAL & MODEL NO.):

6-5-78

ECO/ECP REFERENCE:

0278C145-16

REV. A (SHOWN)
REV. B (SHOWN)

DESCRIPTION OF CHANGE:

COVER PAGE 1
REVISIONS AS SHOWN

DESCRIPTION OF CHANGE:

INSTALL REPLACEMENT UL STYLE FILTER:

- a.) INSTALL REVISED "TB" ASSY.
- b.) RELOCATE MOUNTING HARDWARE
- c.) INCORPORATE ASSOCIATED WIRING CHANGES
- d.) UPDATE SCHEMATICS
- e.) REMOVE CAUTION LABEL

- CONTROL DOC.	ERL	PRE-REQ.
0210110	94	
	REV - 93	
CHANGE AFFECTS:		
	AVAILABILITY DATE	

REV A CHANGES ERL FROM 94 TO 93
ECP CORRECTS & ACCOMPLISHES (PURPOSE, REASON):

REV B -
RE-INSTATES QTY OF 1 FOR ITEM 18 GROUP 904 ONLY OF DNG 1210130 - QTY WAS OBLITERATED IN ER202 DUE TO MACHINE MALFUNCTION - MFG. CONFORMS TO QTY 1.

PROVIDES UL RECOGNIZED RFI-EMI FILTER FOR THE SLASH 6 PDU.

SHEET 6 OF 7 (ICP)

DELETE: 901-905

ITEM 76 1 1850051-901 CABLE ASSY

ITEM 18 GROUP 904 ONLY, QTY SHOULD BE 1 REV B

CHANGE QTY OF ITEM 64 FROM:

905	904	903	902	901	PART NUMBER	DESCRIPTION
6	6	6	6	6	2210101-209	TERMINAL LUG, SLOTTED

TO:

905	904	903	902	901	PART NUMBER	DESCRIPTION
-	-	-	-	-	2210101-209	TERMINAL LUG, SLOTTED

CHANGE QTY AND DESCRIPTION OF ITEM 65 FROM:

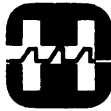
905	904	903	902	901	PART NUMBER	DESCRIPTION
4	4	4	4	4	2210101-208	TERMINAL LUG, SLOTTED

TO:

905	904	903	902	901	PART NUMBER	DESCRIPTION
8	8	8	8	8	2210101-208	TERMINAL LUG, SLOTTED, #10, 12-10 AWG

ADD ITEM 47

905	904	903	902	901	PART NUMBER	DESCRIPTION
-	-	-	4	4	2210212-201	SOREN, PHIL, PAN NO 98-32 X 14



INTERIM CHANGE PACKAGE

DOCUMENT NUMBER:

0800004-102

DOCUMENT TITLE:

SLASH 6 DRAWING MANUAL

EFFECTIVITY (SERIAL & MODEL NO.):

3-22-78

ECO/ECP REFERENCE:

0278C151-3

DESCRIPTION OF CHANGE:

DWG. 0970223 REV. F
REVISE AS FOLLOWS: SH. 1-

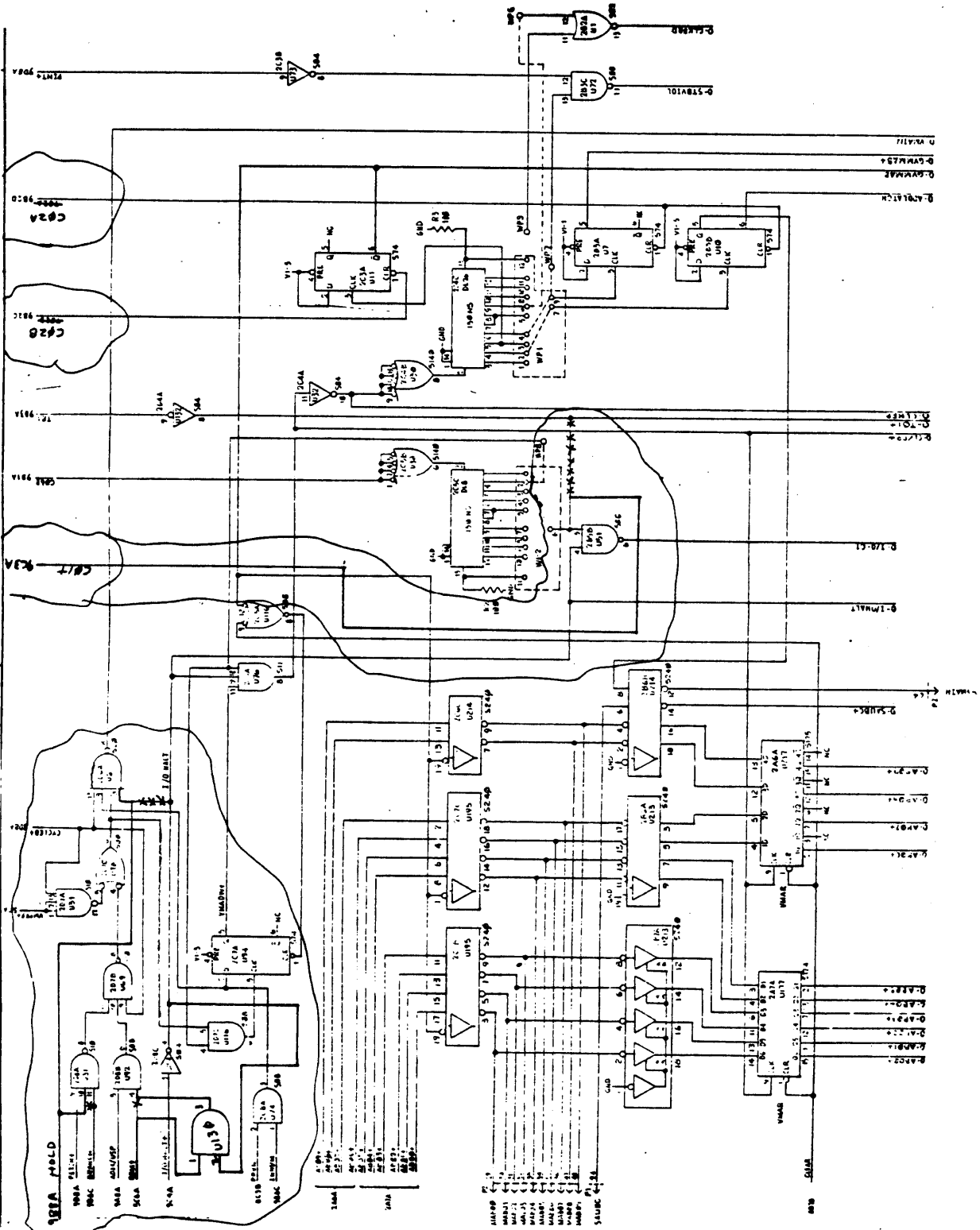
SPACE LOCATIONS	
REF. DES.	QTY
U48	28
U75	28
U45	14
U64	16
U188	16
U181	16
U182	16
U98	16
U59	16
U207	16
U216	20

UNUSED CIRCUITS		
REF. DES.	TYPE	SPACES
U3	H88	1
U6	S28	1
U12	S24F	1
U53	S32	2
U55	S37	2
U5c	S24F	1
 	 	
U77	S32	1
U78	S32	1
U12F	S24	2
U126	H84	2
 	 	
 	 	
U142	S24	2
U145	S24	3
U183	S23	1
U187	S24	1
U188	S24F	1
U52	S74	1
U71	S74	1
 	 	
 	 	
U74	S28	1
U172	S28	2
U185	S24	1
U180	S11	2
U181	S74	1

INTERIM CHANGE PACKAGE (CONT.)

DESCRIPTION OF CHANGE:

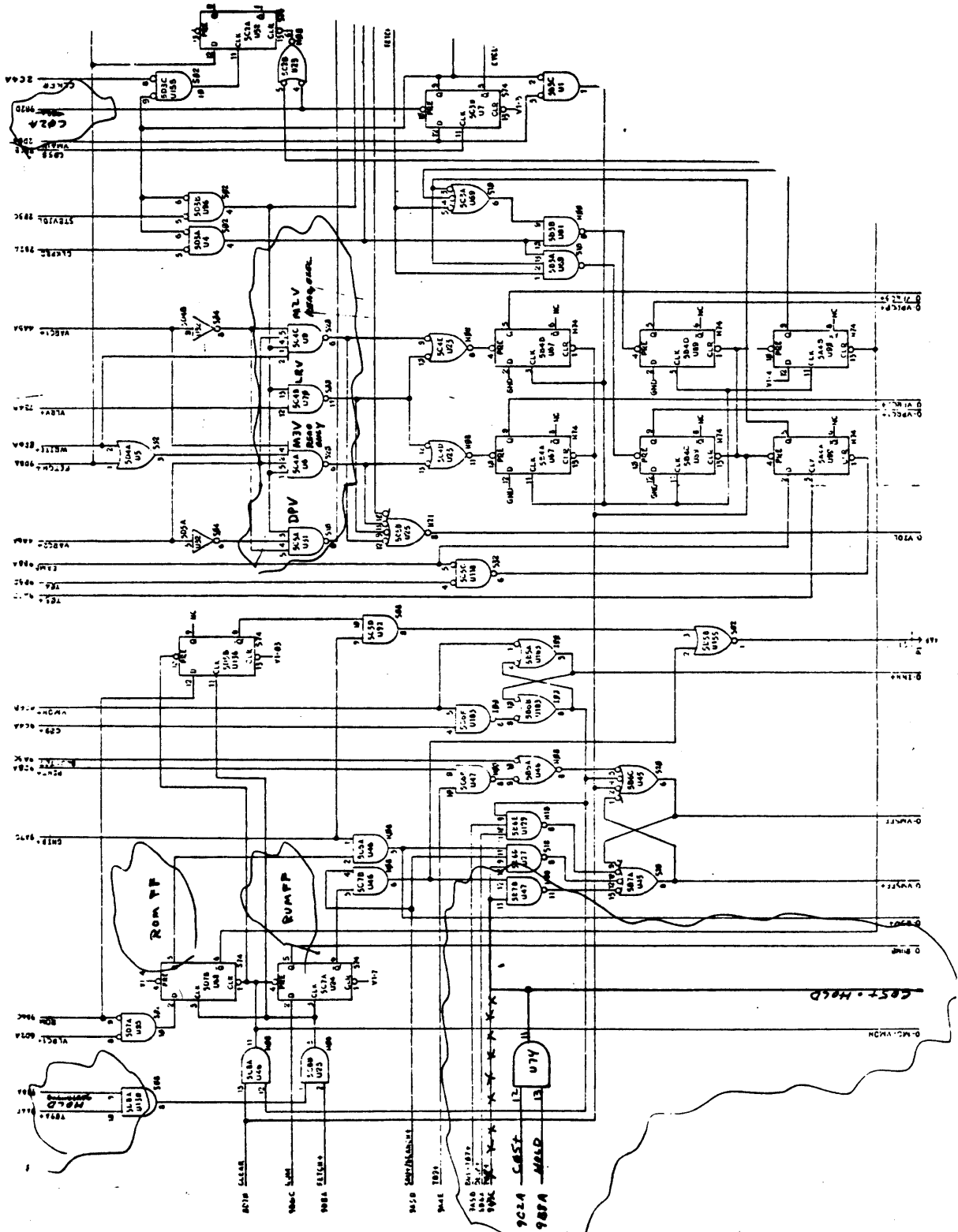
DWG. 0970223 REV. F SH.3



INTERIM CHANGE PACKAGE (CONT.)

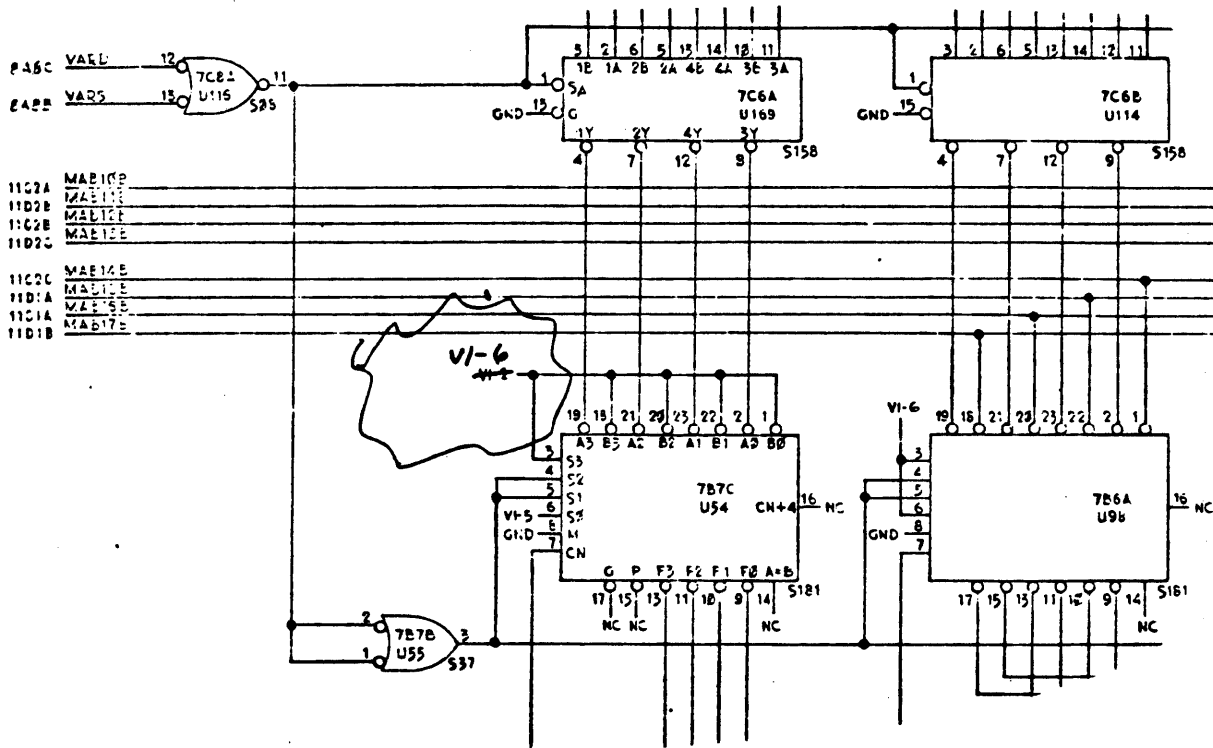
DESCRIPTION OF CHANGE:

DWG. 0970223 REV. F SH. 5

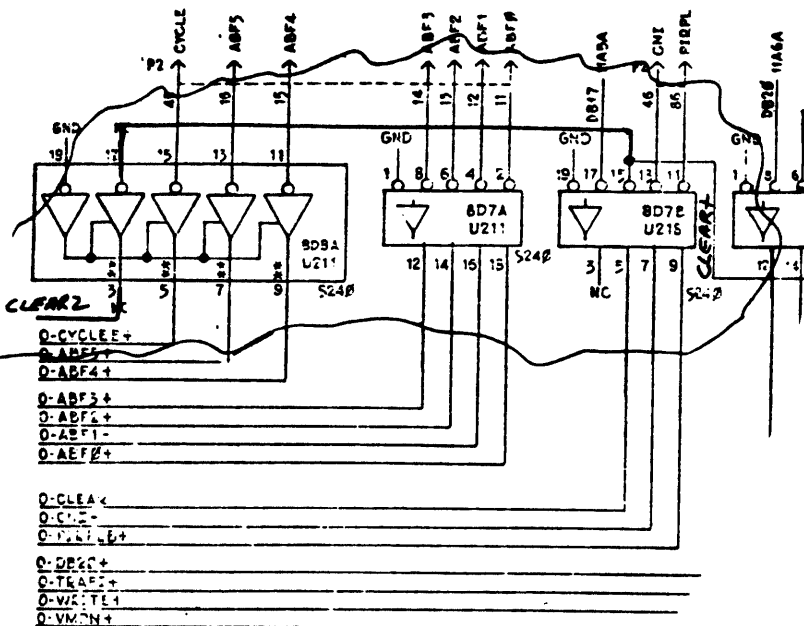


INTERIM CHANGE PACKAGE (CONT.)

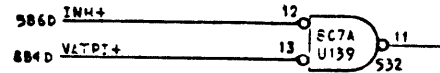
DESCRIPTION OF CHANGE:
DWG. 0970223 REV. F SH. 8



SHEET 9 D-8



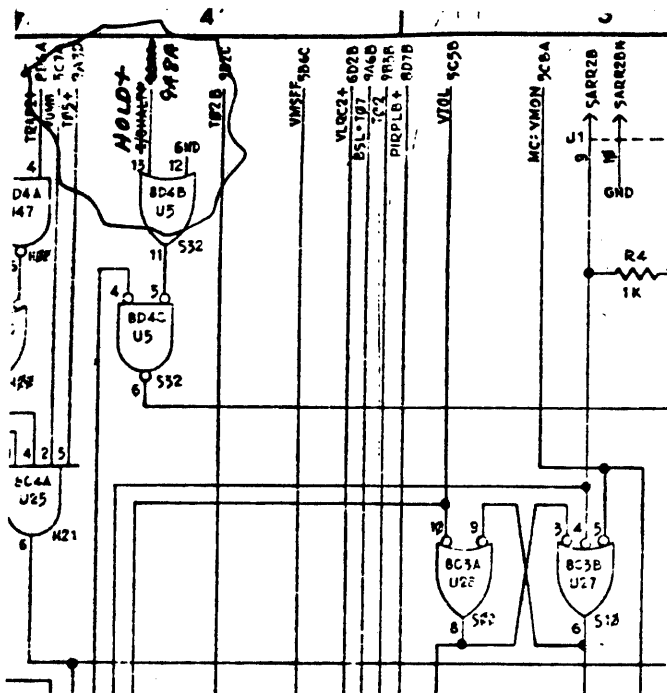
SHEET 9
 C-8



908A HOLD
 SPEC 1740000

INTERIM CHANGE PACKAGE (CONT.)

DESCRIPTION OF CHANGE:
DWG. 0970223 REV. F SH. 9
ZONE D4



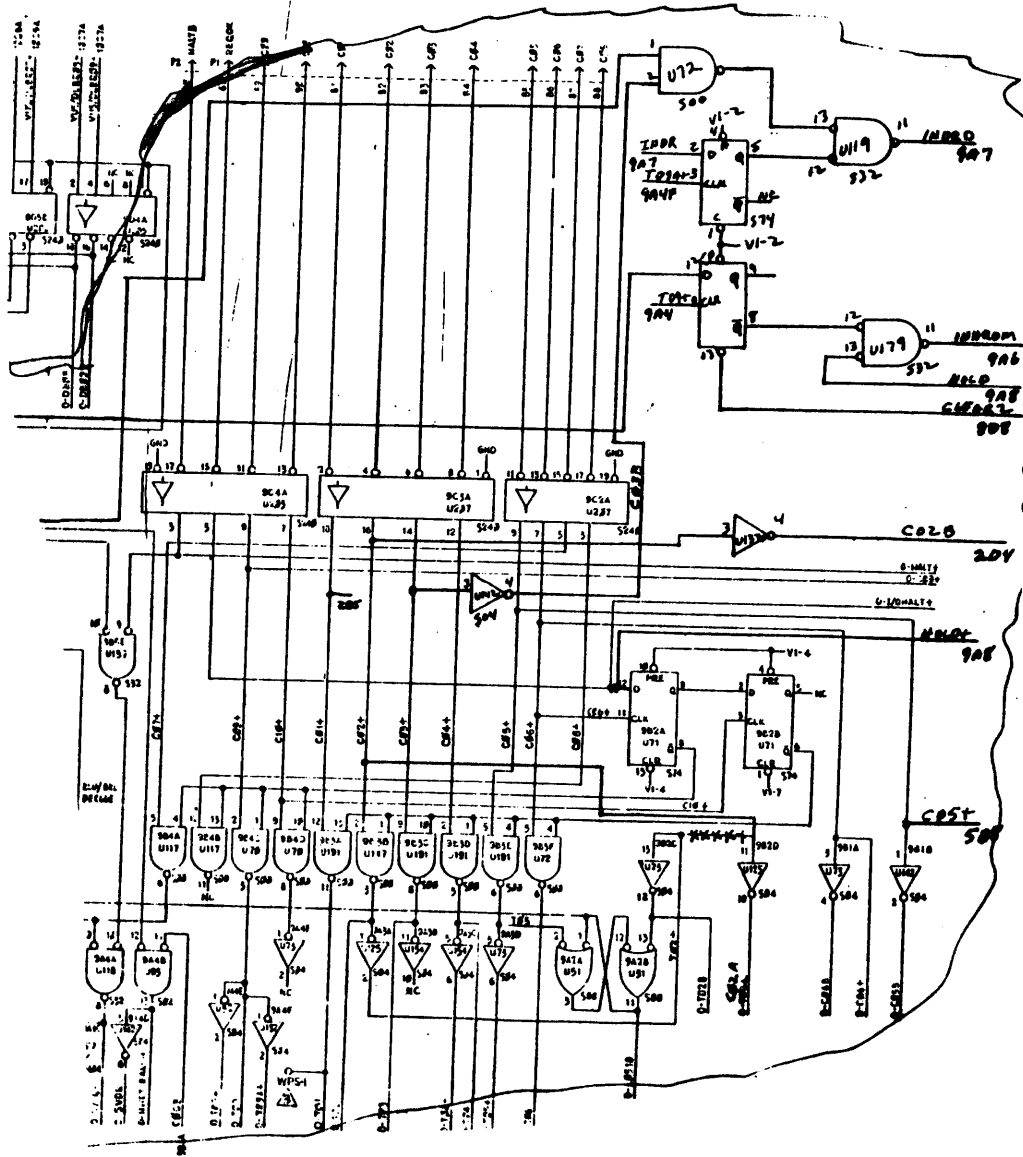


COMMUNICATIONS AND
INFORMATION HANDLING

ICP NO: 78-548	DATE: 3-14-78
-------------------	------------------

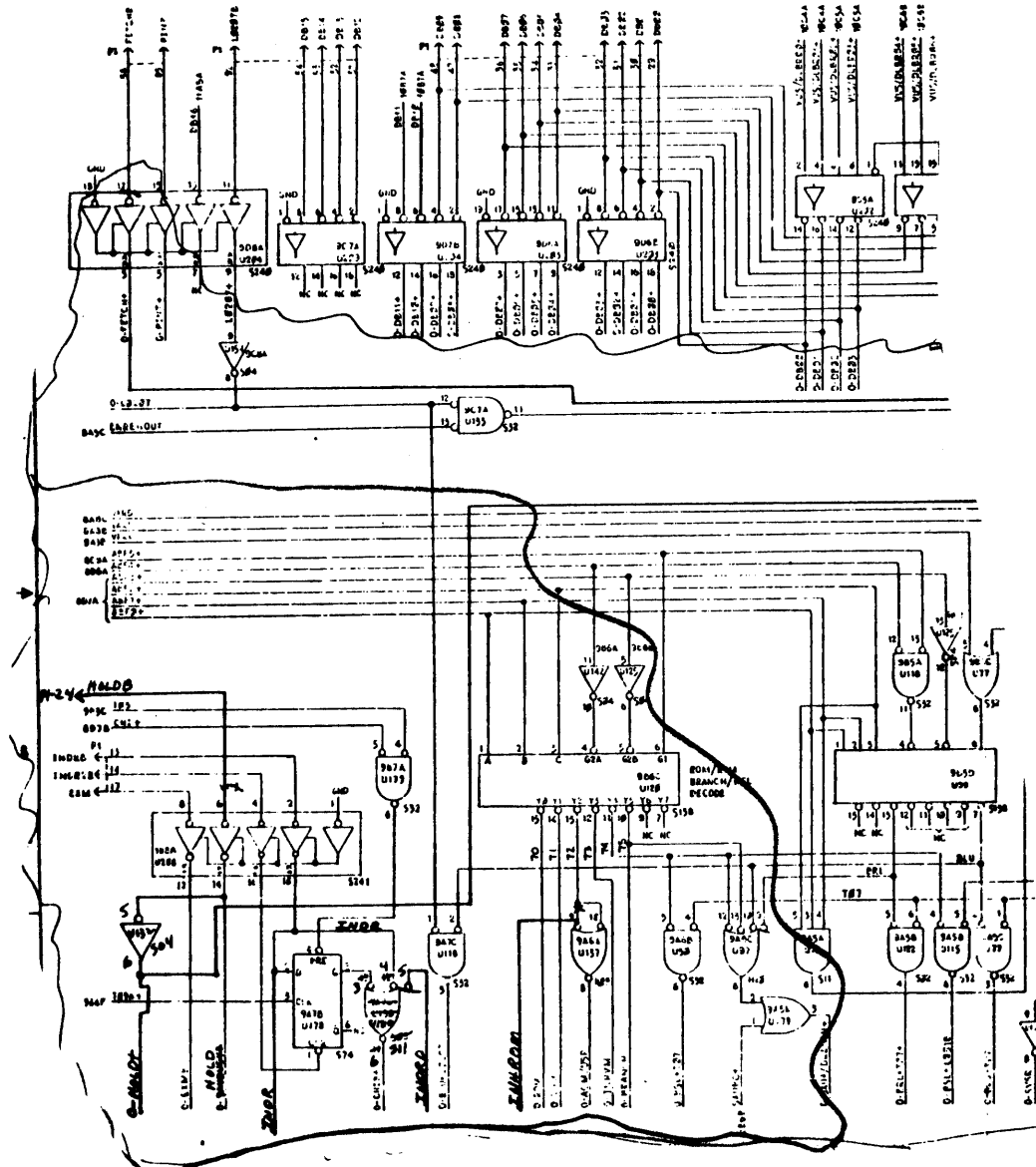
INTERIM CHANGE PACKAGE (CONT.)

DESCRIPTION OF CHANGE:
 DWG. 0970223 REV. F SH. 9
 ZONE D2



INTERIM CHANGE PACKAGE (CONT.)

DESCRIPTION OF CHANGE:
DWG. 0970223 REV. F SH. 9
ZONE B7



INTERIM CHANGE PACKAGE (CONT.)

DESCRIPTION OF CHANGE:
DWG. 1510223 REV. G
PARTS LIST - REVISE

ITEM 32 ALL GROUPS

	<u>ITEM</u>	<u>PART NO.</u>	<u>REF. DES.</u>	<u>DESCRIPTION</u>
FROM:	14	; 6410000-104;	U2---U178, U194	IC 74\$74
TO:	15		U2-- U178, U181, U194	

ITEM 49 ALL GROUPS

	<u>ITEM</u>	<u>PART NO</u>	<u>REF. DES.</u>	<u>DESCRIPTION</u>
FROM:	1	; 6410000-093 ;	U 76	IC 74\$11
TO :	2		U76, U180	

DWG. 1570223 REV. K
REVISE DWG.

ZONE B5 CHANGE LINES SURROUNDING IC'S U180 & U181 FROM: DOTTED, TO: SOLID
UPDATE RLC CHARTS

REVISION LEVEL CONTROL CHART									
APPLICABLE ASSY DASH NO.		901							
LOWEST USABLE ASSY LEVEL		XXXXXXXXXX							
DWG NO.	TITLE	USABLE DRAWING REVISION							
THIS DWG	ASSEMBLY	A	B	C	D	E	F	G	H
1510223	P.C. ASSY (PL)	-	-	-	-	-	-	-	-
1470223	P.W. DP. DRILLING	-	-	-	-	-	-	-	-
0970223	LOGIC DIAGRAM	-	-	-	-	-	-	-	-
REVISION LEVEL CONTROL CHART									
APPLICABLE ASSY DASH NO.		902							
LOWEST USABLE ASSY LEVEL		XXXXXXXXXX							
DWG NO.	TITLE	USABLE DRAWING REVISION							
THIS DWG	ASSEMBLY	A	B	C	D	E	F	G	H
1510223	P.C. ASSY (PL)	-	-	-	-	-	-	-	-
1470223	P.W. DP. DRILLING	-	-	-	-	-	-	-	-
0970223	LOGIC DIAGRAM	-	-	-	-	-	-	-	-

REVISION LEVEL CONTROL CHART									
APPLICABLE ASSY DASH NO.		903							
LOWEST USABLE ASSY LEVEL		XXXXXXXXXX							
DWG NO.	TITLE	USABLE DRAWING REVISION							
THIS DWG	ASSEMBLY	A	B	C	D	E	F	G	H
1510223	P.C. ASSY (PL)	-	-	-	-	-	-	-	-
1470223	P.W. DP. DRILLING	-	-	-	-	-	-	-	-
0970223	LOGIC DIAGRAM	-	-	-	-	-	-	-	-



COMMUNICATIONS AND INFORMATION HANDLING

ICP NO: 78-549 DATE: 3-13-78

INTERIM CHANGE PACKAGE

DOCUMENT NUMBER:
0800004-102

DOCUMENT TITLE:
SLASH 6 DRAWING MANUAL

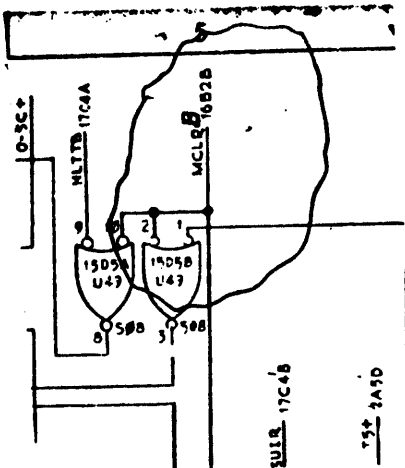
EFFECTIVITY (SERIAL & MODEL NO.):
N/A

ECO/ECP REFERENCE:
0278C144-2

DESCRIPTION OF CHANGE:
DWG. 0970334 REV. L-UPDATE DWGS.

SHEET 15 ZONE D5

SHEET 1 ZONE C5



REF DES	PROM TYPE	PROM NUMBER	MINST	MAXST	MINST	MAXST
U12	7603	6311037	921	921		
U68	7611	58			921	
U97		39			921	
U107		40			921	
U108		41			921	
U109	7611	42			921	
U110	7644	43			921	
U111		44			921	
U112		45			921	
U113		45			921	
U114		47			903	
U115		48			921	
U116		49				
U117		58				
U118	7644	51				
U135	7621	52				
U137	7611	53				
U138	7644	54				
U139		55				
U142		56				
U141		57				
U142		58				
U143		59				
U144		60				
U145		61				
U227	7644	6311062	902	902		
U229	7644	6710145	901	901		
U279	7603	6311063	921	901		
U269	7611	6311064	901	921	903	

- 45V
- VI-1
- VI-2
- VI-3
- VI-4
- VI-5
- VI-6

6730021

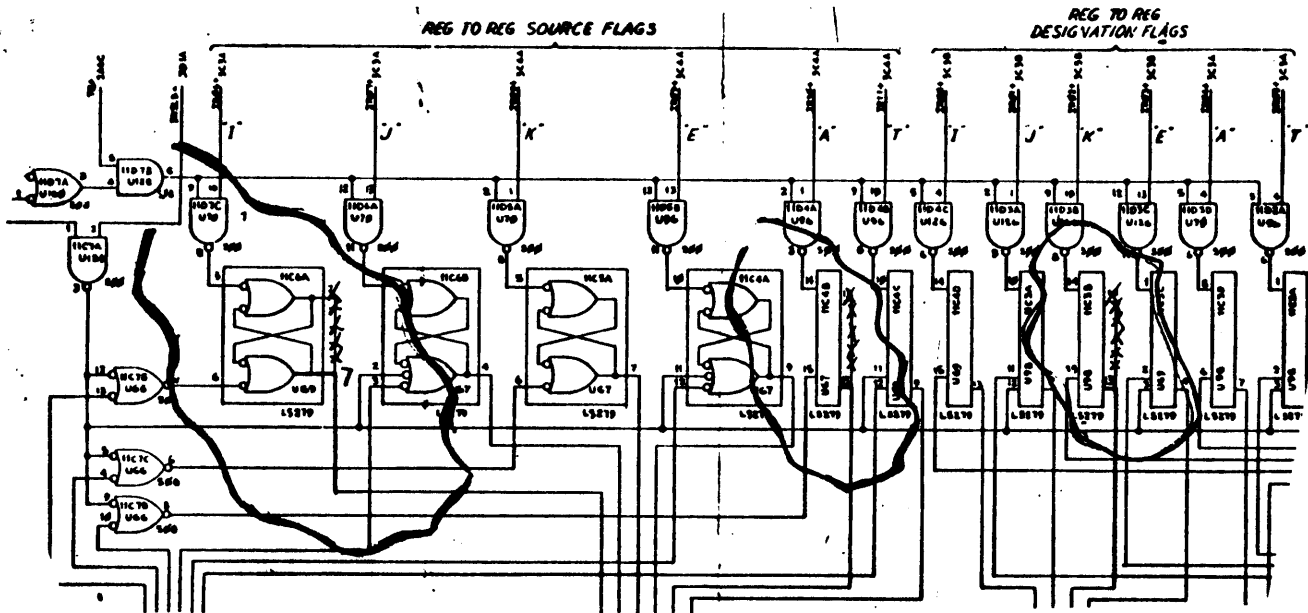
USEABLE MKNR...
 DWG. NO. TITLE...
 * THE ASSEMBLY REV LEVEL IS LOWEST US PROMS LISTED

PROM CHART - 90

INTERIM CHANGE PACKAGE (CONT.)

DESCRIPTION OF CHANGE: **DWG. 0970334 REV. L**

**REGISTER TO REGISTER
INSTRUCTION CONTROL
REVISE DWG.**



**DWG. 1570334 REV. P
UPDATE RLC CHART AS SHOWN**

REVISION LEVEL CONTROL CHART			
APPLICABLE ASSY DASH NO.		902	
LOWEST USABLE ASSY LEVEL		XXMP	
DWG NO.	TITLE	USABLE DRAWING REVISION	
THIS DWG	ASSEMBLY	K	LMNP
1510334	P.C. ASSY. (PL)	E	FGG
7070334	P.W. BD. DRILL & DIM.	A	AAA
0970334	LOGIC DIAGRAM	H	HTKL

REVISION LEVEL CONTROL CHART			
APPLICABLE ASSY DASH NO.		901	
LOWEST USABLE ASSY LEVEL		-XIXGZFFXJXXMP	
DWG NO.	TITLE	USABLE DRAWING REVISION	
THIS DWG	ASSEMBLY	-	ABCDEF GHIJKL MNP
1510334	P.C. ASSY. (PL)	-	AAAA BBB CDEE FGG
7070334	P.W. BD. DRILL & DIM.	-	- - - - - AAA - - - - - AAA
0970334	LOGIC DIAGRAM	-	ABCDEF G - - - - - HTKL



COMMUNICATIONS AND INFORMATION HANDLING

ICP NO:
78-544

DATE:
3-8-78

INTERIM CHANGE PACKAGE

DOCUMENT NUMBER:
0800004-102

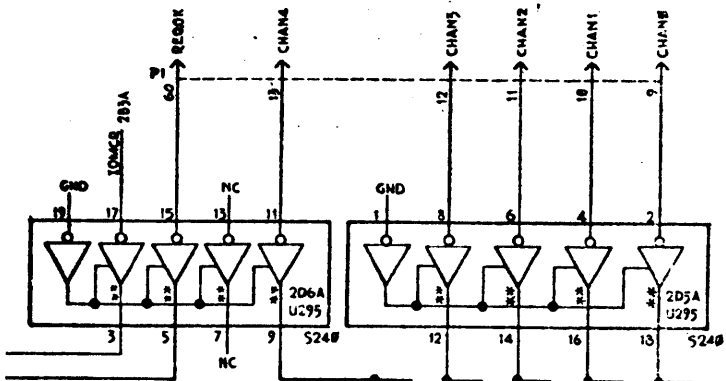
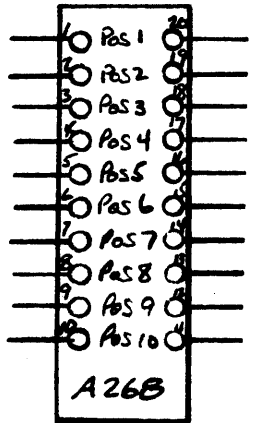
DOCUMENT TITLE:
SLASH 6 DRAWING MANUAL

EFFECTIVITY (SERIAL & MODEL NO.):
3-9-78

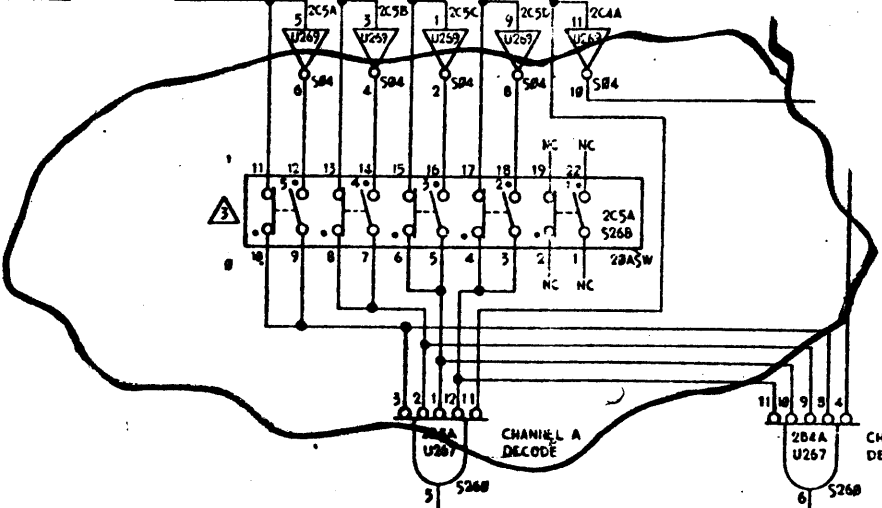
ECO/ECP REFERENCE:
0378C105-3

DESCRIPTION OF CHANGE: **DWG. 0970270 REV. P**
UPDATE LOGICS-
AS PER ATTACHED
PRINTS

LOGIC SHEET 2



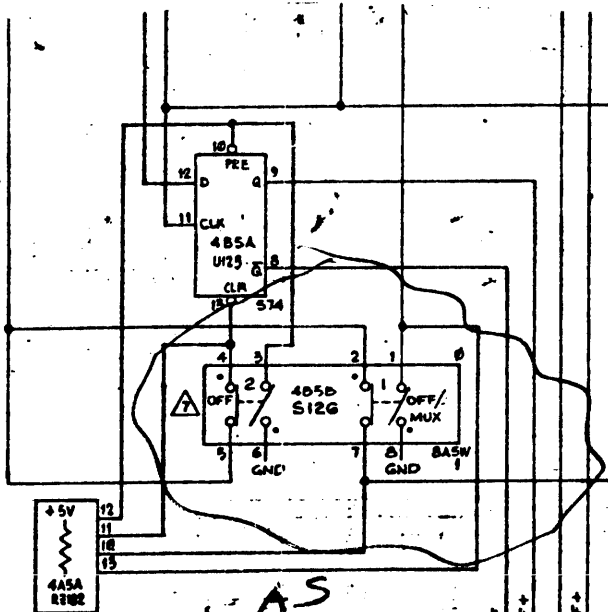
SHOW AS SOCKET



INTERIM CHANGE PACKAGE (CONT.)

DESCRIPTION OF CHANGE:

DWG. 0970270 REV. P LOGIC SH. 4



SHOW AS SOCKET

Q-OFFFF
Q-OFFFF+
Q-INHD
Q-MUXFF+

LOGIC SHEET .. 4

A126 IS TO BE REPRESENTATED PICTORIALARY IN THE SAME MANNER AS SHOWN FOR A268 ON SHEET 1 OF THIS ECO.



COMMUNICATIONS AND INFORMATION HANDLING

ICP NO: 78-544 DATE: 3-8-78

INTERIM CHANGE PACKAGE (CONT.)

DESCRIPTION OF CHANGE: DWG. 0970270 REV. P

CHART 1

CHANNEL I. D. STATUS	
FROM	TO
WP6-1	WP4-1
WP6-2	WP4-2
WP6-3	WP4-3
WP6-4	WP4-4
WP6-5	WP4-5
WP6-6	WP4-6
WP6-7	WP4-7
WP6-8	WP4-8
WP6-9	WP4-9
WP6-10	WP4-10
WP6-11	WP4-11
WP6-12	WP4-12
WP6-13	WP4-13

CHART 2**

A126 CHANNEL CODE Jumper		9	8	7	6	5	4	3	2	1
UIC CHANNEL NO.	CHANNEL NO.									
A	0	1	0	1	0	1	0	1	0	0
B	1	1	0	1	0	1	0	1	0	0
A	2	1	0	1	0	1	0	1	0	0
B	3	1	0	1	0	1	0	1	0	0
A	4	1	0	1	0	1	0	1	0	0
B	5	1	0	1	0	1	0	1	0	0
A	6	1	0	1	0	1	0	1	0	0
B	7	1	0	1	0	1	0	1	0	0
A	10	1	0	1	0	1	0	1	0	0
B	11	1	0	1	0	1	0	1	0	0
A	12	1	0	1	0	1	0	1	0	0
B	13	1	0	1	0	1	0	1	0	0
A	14	1	0	1	0	1	0	1	0	0
B	15	1	0	1	0	1	0	1	0	0
A	16	1	0	1	0	1	0	1	0	0
B	17	1	0	1	0	1	0	1	0	0
A	20	0	1	0	1	0	1	0	1	0
B	21	0	1	0	1	0	1	0	1	0
A	22	0	1	0	1	0	1	0	1	0
B	23	0	1	0	1	0	1	0	1	0
A	24	0	1	0	1	0	1	0	1	0
B	25	0	1	0	1	0	1	0	1	0
A	26	0	1	0	1	0	1	0	1	0
B	27	0	1	0	1	0	1	0	1	0
A	30	0	1	0	1	0	1	0	1	0
B	31	0	1	0	1	0	1	0	1	0
A	32	0	1	0	1	0	1	0	1	0
B	33	0	1	0	1	0	1	0	1	0
A	34	0	1	0	1	0	1	0	1	0
B	35	0	1	0	1	0	1	0	1	0
A	36	0	1	0	1	0	1	0	1	0
B	37	0	1	0	1	0	1	0	1	0

CHART 3 MEMO

PRIORITY	WP10-1 TO	WP10-2 TO	WP10-3 TO
PRI-1	WP11-1	WP11-2	WP11-3
PRI-2	WP11-1	WP11-2	WP11-3
PRI-3	WP11-1	WP11-2	WP11-3
PRI-4	WP11-1	WP11-2	WP11-3
PRI-5	WP12-2	WP11-2	WP11-3
PRI-6	WP12-2	WP11-2	WP11-3
PRI-7	WP12-2	WP11-2	WP11-3
PRI-8	WP12-2	WP11-2	WP11-3
PRI-9	WP12-2	WP12-3	WP11-3
PRI-10	WP12-2	WP12-3	WP11-3
PRI-11	WP12-2	WP12-3	WP11-3
PRI-12	WP12-2	WP12-3	WP11-3
PRI-13	WP12-2	WP12-3	WP12-4
PRI-14	WP12-2	WP12-3	WP12-4
PRI-15	WP12-2	WP12-3	WP12-4
PRI-16	WP12-2	WP12-3	WP12-4
PRI-17	WP11-1	WP11-2	WP11-3
PRI-18	WP11-1	WP11-2	WP11-3
PRI-19	WP11-1	WP11-2	WP11-3
PRI-20	WP11-1	WP11-2	WP11-3
PRI-21	WP12-2	WP11-2	WP11-3
PRI-22	WP12-2	WP11-2	WP11-3
PRI-23	WP12-2	WP11-2	WP11-3
PRI-24	WP12-2	WP11-2	WP11-3
PRI-25	WP12-2	WP12-3	WP11-3
PRI-26	WP12-2	WP12-3	WP11-3
PRI-27	WP12-2	WP12-3	WP11-3
PRI-28	WP12-2	WP12-3	WP11-3
PRI-29	WP12-2	WP12-3	WP12-4
PRI-30	WP12-2	WP12-3	WP12-4
PRI-31	WP12-2	WP12-3	WP12-4
PRI-32	WP12-2	WP12-3	WP12-4

CHART 4

S126 OFF/MUX SW. SELECT	1	2
MODE		
ON LINE	0	0
OFF LINE	1	1
MUX	1	0

WHEN SWITCH IS IN THE DOWN POSITION DOT INDICATES CONTACT CLOSURE. SWITCH MODES INDICATED BY 1 & 0.

A126 OFF/MUX JUMPERS				
PIN No	4	3	2	1
ON LINE	1	0	1	0
OFF LINE	0	1	0	1
MUX	1	0	0	1

1 INDICATES JUMPER PLUG INSTALLED

WHEN SWITCH IS IN THE DOWN POSITION DOT INDICATES CONTACT CLOSURE
* NOT AVAILABLE WHEN SYSTEM HAS VIRTUAL MEMORY

1 INDICATES JUMPER PLUG INSTALLED

LINK OPTION	CH
NON-LINK OPERAT	
LINK OPERATION	

** FOR BOARDS WITH SWITCHES
POSITION 1, 3, 5, 7, & 9 INDICATE SWITCHES 1, 2, 3, 4 & 5
RESPECTIVELY. SWITCH MODES INDICATED BY 1 & 0 IN THESE COLUMNS

CHANNEL SCAN NO.	CH
CHANNEL 'A' SCAN LOC	
CHANNEL 'B' SCAN LOC	
SCAN UNLOCKED	

LOGIC SHEET 1A

SHEET 3 OF 3



INTERIM CHANGE PACKAGE (CONT.)

DESCRIPTION OF CHANGE:

DWG. 1510270 REV. K
PARTS LIST UBC

ITEM #14 ADD: QTY. RQD. 901 = 1
 " " " PART # = 2110011-001
 " " " REF. DESG. = A 126
 " " " DESCRIPTION = IC SOCKET, LOW PROFILE, 8 PIN

ITEM #22 ADD: QTY. RQD. 901 = 1
 " " " PART # = 2110011-005
 " " " REF. DESG. = A 268
 " " " DESCRIPTION = IC SOCKET, LOW PROFILE, 20 PIN

DELETE ITEM # 40

DELETE ITEM # 41

ITEM #93 ADD: QTY. RQD. 901 = 6
 " " " PART # = 2125005-001
 " " " REF. DESG. = S126, S268
 " " " DESCRIPTION = JUMPER PLUG
 " #16 CHANGE QTY FROM 116 TO 115

INTERIM CHANGE PACKAGE (CONT.)

DESCRIPTION OF CHANGE:

DWG. 1570270 REV. V
(P.C. ASSY. UBC)

SHOW 5126 AS AN 8 PIN IC SOCKET & LABEL A126

SHOW 5268 AS A 20 PIN IC SOCKET & LABEL A268

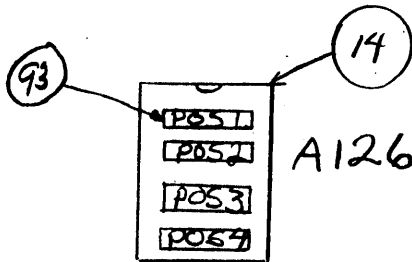
UPDATE SHEET TWO AS PER ECO #0970270-N SHEET 3

DELETE NOTE 

ADD: "SEE DETAIL 'A' " ^{AND 'B'} _^ TO A126 & A268

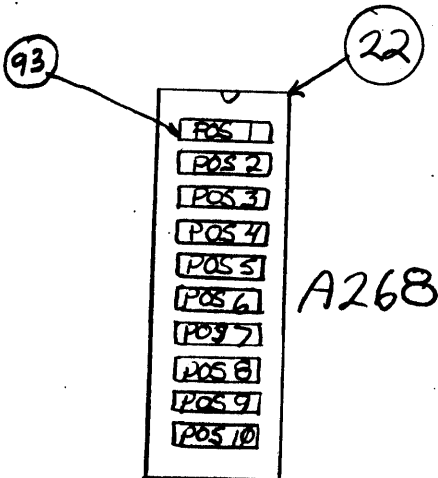
ADD DETAILS AS SHOWN

DETAIL 'A'



UPDATE RLC CHART

REVISION LEVEL CONTROL CHART																					
APPLICABLE ASSY DASH NO.		901																			
LOWEST USABLE ASSY LEVEL		X X X X X X X X X X X X																			
DWG NO.	TITLE	USABLE DRAWING REVISION																			
THIS DWG	ASSEMBLY	-	A	B	C	D	E	F	G	H	J	K	L	M	N	P	R	T	U	V	
1510270	P.C. ASSY. (P.L.)	-	A	B	C	D	E	F	G	H	I	J	K	L	M	N	P	R	T	U	V
7C70270	P.W. ED. DRILL & DIM	-	-	-	-	-	-	-	A	A	A	B	C	C	C	D	D	D	D	D	D
0970270	LOGIC DIAGRAM	-	A	B	E	C	C	D	E	F	F	G	H	J	K	L	L	L	M	M	M



DETAIL 'B'

INTERIM CHANGE PACKAGE

DOCUMENT NUMBER: 0800004	DOCUMENT TITLE: SLASH 6 DRAWING MANUAL
------------------------------------	--

EFFECTIVITY (SERIAL & MODEL NO.):
8-14-78

ECO/ECP REFERENCE:
0378C215-5

DESCRIPTION OF CHANGE:
DWG. 1510223 REV. H

DELETE ITEM 5, AI 49020-001; NUT, CARD; QTY. 6
DELETE ITEM 12, 2B10007-306; RIVET, TUBULAR
CHANGE QTY ITEM 9, 2B10011-101; FROM: 6; TO: 4
ADD ITEM 13: QTY. 4; 3610102-001; CARD NUT

DWG. 1570223 REV. L

ALL GROUPS
CHANGE BOARD OUTLINE PER ECO 7070223 REVE
DELETE ITEMS 5 (CARD NUT) AND 12 (RIVET)
ADD ITEM 13 FOUR PLACES AND REDUCE QTY OF ITEM 9
FROM: 6 PLACES; TO: 4 PLACES (SEE ECO 7070223 REV. E
& ECO 1510223 REV. G)

UPDATE RLC CHARTS

REVISION LEVEL CONTROL CHART									
APPLICABLE ASSY DASH NO.		301							
LOWEST USABLE ASSY LEVEL		X	X	X	X	X	X	X	X
DWG NO.	TITLE	USABLE DRAWING REVISION							
THIS DWG	ASSEMBLY	A	B	C	D	E	F	G	H
1510223	P.C. ASSY. (P.L.)	A	A	B	C	D	D	D	D
1070223	P.W. DD, DRILLE DIM.	A	A	B	C	C	D	D	D
0970223	LOGIC DIAGRAM	A	A	B	C	C	C	C	C

REVISION LEVEL CONTROL CHART									
APPLICABLE ASSY DASH NO.		902							
LOWEST USABLE ASSY LEVEL		X	X	X	X	X	X	X	X
DWG NO.	TITLE	USABLE DRAWING REVISION							
THIS DWG	ASSEMBLY	A	B	C	D	E	F	G	H
1510223	P.C. ASSY. (P.L.)	A	A	B	C	D	D	D	D
1070223	P.W. DD, DRILLE DIM.	A	A	B	C	C	D	D	D
0970223	LOGIC DIAGRAM	A	A	B	C	C	C	C	C

REVISION LEVEL CONTROL CHART									
APPLICABLE ASSY DASH NO.		903							
LOWEST USABLE ASSY LEVEL		X	X	X	X	X	X	X	X
DWG NO.	TITLE	USABLE DRAWING REVISION							
THIS DWG	ASSEMBLY	A	B	C	D	E	F	G	H
1510223	P.C. ASSY. (P.L.)	A	A	B	C	D	D	D	D
1070223	P.W. DD, DRILLE DIM.	A	A	B	C	C	D	D	D
0970223	LOGIC DIAGRAM	A	A	B	C	C	C	C	C



COMMUNICATIONS AND INFORMATION HANDLING

ICP NO: 78-552	DATE: 3-29-78
-------------------	------------------

INTERIM CHANGE PACKAGE

DOCUMENT NUMBER: 0800004	DOCUMENT TITLE: SLASH 6 DRAWING MANUAL
-----------------------------	---

EFFECTIVITY (SERIAL & MODEL NO.):
6-16-78

ECO/ECP REFERENCE:
0378C164-3

DESCRIPTION OF CHANGE:
DWG. 1570129 REV. H

UPDATE RLC CHART

REVISION LEVEL CONTROL CHART		
APPLICABLE ASSY DASH NO.		-901
LOWEST USABLE ASSY LEVEL		A B C D E F G H
DWG NO.	TITLE	USABLE DRAWING REVISION
THIS DWG	ASSEMBLY	A B C D E F G H
1510129	PARTS LIST	A B C C' D E F F'
7070129	DRILL & DIM	A B B' B' C' D' D' E

GROUP 901

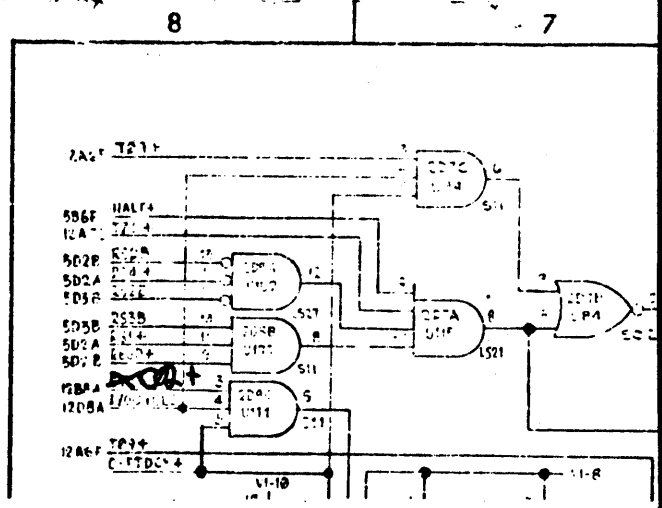
INTERIM CHANGE PACKAGE

DOCUMENT NUMBER: 0800004-103	DOCUMENT TITLE: SLASH 6 DRAWING MANUAL
--	--

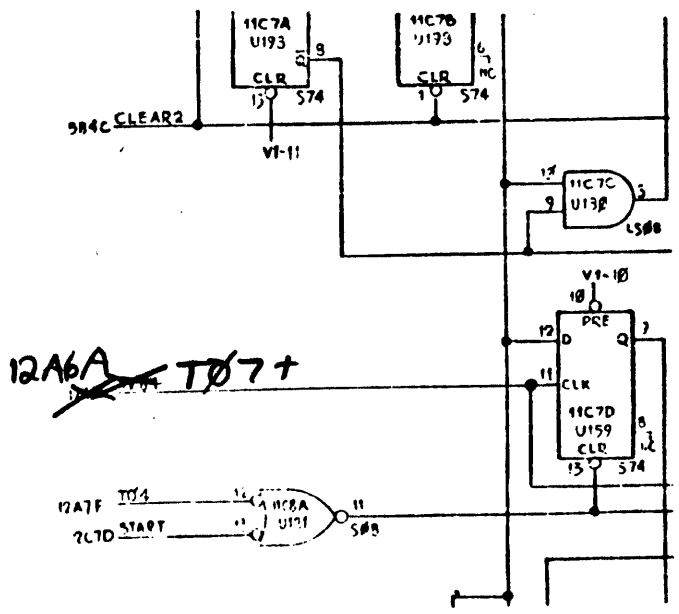
EFFECTIVITY (SERIAL & MODEL NO.):
3-22-78

ECO/ECP REFERENCE:
0378C218-3

DESCRIPTION OF CHANGE:
**DWG. 0970292 REV. K
UPDATE DWG. AS SHOWN. LOGIC SHEET 1**



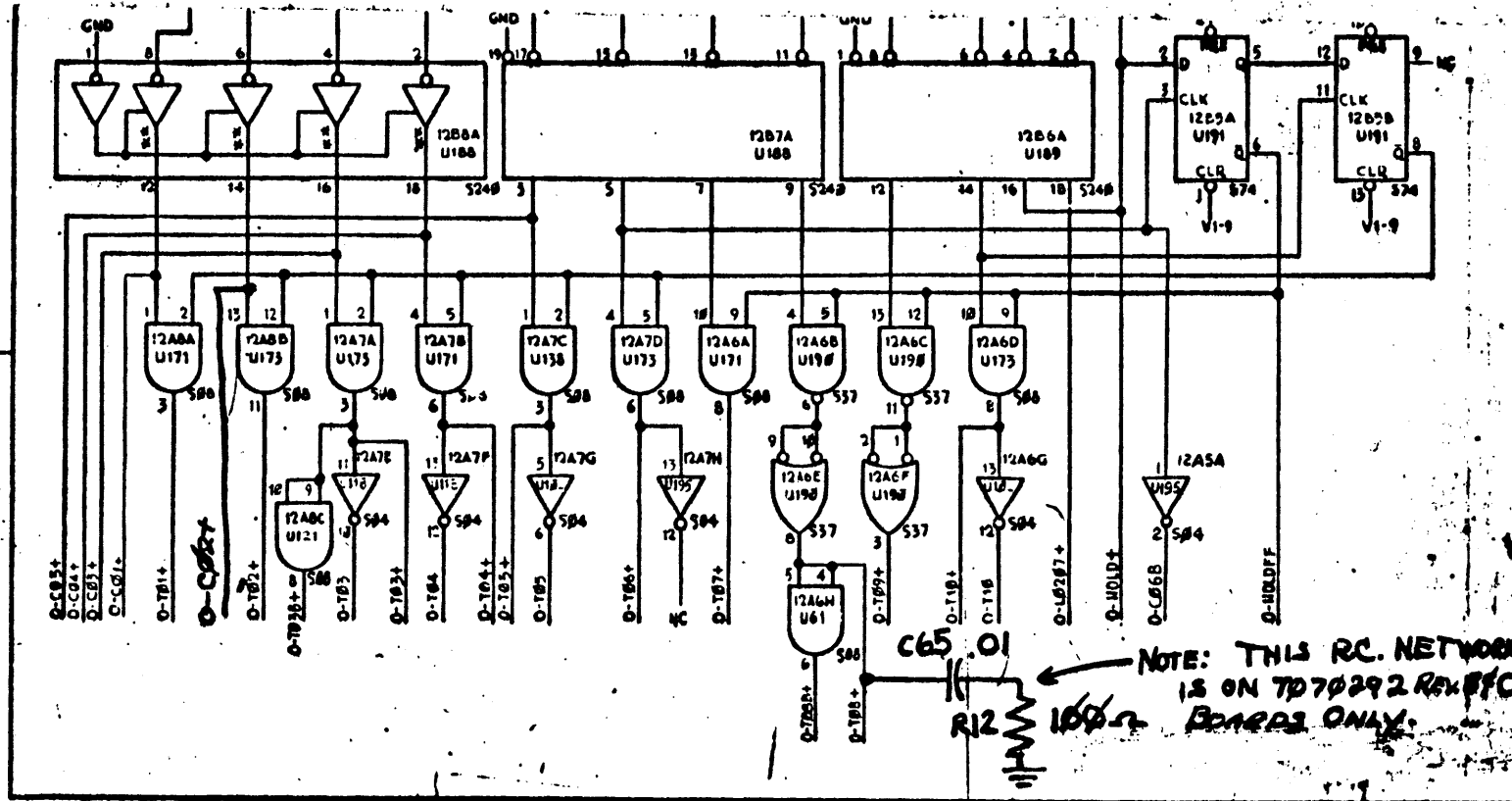
LOGIC SHEET 11



INTERIM CHANGE PACKAGE (CONT.)

DESCRIPTION OF CHANGE:
 DWG. 0970292 REV. K

LOGIC SHEET 12



TCP NO: 78-553	DATE: 3-22-78
-------------------	------------------



COMMUNICATIONS AND
INFORMATION HANDLING

ICP NO.:

78-553

DATE:

3-22-78

INTERIM CHANGE PACKAGE (CONT.)

DESCRIPTION OF CHANGE:

DWG. 1570292 REV. R

UPDATE RLC CHARTS

REVISION LEVEL CONTROL CHART																				
APPLICABLE ASSY DASH NO.		- 901																		
LOWEST USABLE ASSY LEVEL		A	B	C	D	E	F	G	H	I	J	K	L	M	N	O	P	Q	R	
DWG NO.	TITLE	USABLE DRAWING REVISION																		
THIS DWG	ASSEMBLY	-	A	B	C	D	E	F	G	H	I	J	K	L	M	N	O	P	Q	R
1510292	PARTS LIST	-	A	B	C	D	E	F	G	H	I	J	K	L	M	N	O	P	Q	R
7070292	WIRE DIM	-	-	-	A	A	A	A	A	A	A	A	A	A	A	A	A	A	A	A
0970292	LOGIC DIAGRAM	-	A	A	B	C	C	D	E	E	F	F	G	H	J	J	K	K	K	

REVISION LEVEL CONTROL CHART																				
APPLICABLE ASSY DASH NO.		- 902																		
LOWEST USABLE ASSY LEVEL		A	B	C	D	E	F	G	H	I	J	K	L	M	N	O	P	Q	R	
DWG NO.	TITLE	USABLE DRAWING REVISION																		
THIS DWG	A. E. FLY	-	A	B	C	D	E	F	G	H	I	J	K	L	M	N	O	P	Q	R
1510292	PARTS LIST	-	A	B	C	D	E	F	G	H	I	J	K	L	M	N	O	P	Q	R
1070292	WIRE DIM	-	-	-	A	A	A	A	A	A	A	A	A	A	A	A	A	A	A	A
0970292	LOGIC DIAGRAM	-	A	A	B	C	D	E	E	F	F	G	H	J	J	K	K	K	K	

DWG. 1510292 REV. J

ITEM #25, ADD C65 TO REFERENCE DESG.

ITEM #32 ADD QTY. RQD. 901 & 902 = 1

" " " PART # 4710501-135

" " " REFERENCE DESG. = R12

" " " DESCRIPTION = RESISTOR, 100Ω, ±5%, 1/4W.



COMMUNICATIONS AND
INFORMATION HANDLING

ICP NO:

78-560

DATE:

4-6-78

INTERIM CHANGE PACKAGE

DOCUMENT NUMBER:

0800004

DOCUMENT TITLE:

SLASH 6 DRAWING MANUAL

EFFECTIVITY (SERIAL & MODEL NO.):

N/A

ECO/ECP REFERENCE:

0378C219-6

DESCRIPTION OF CHANGE:

DWG. 1110171 REV. G

DELETE GRPS. 903 & 904 AND ITEMS 15 & 16

DWG. 1270139 REV. P.

DELETE GRPS. 903 & 904 AND ITEMS 29, 37 AND 38.

DWG. 1270157 REV. G

DELETE GRPS. 909 & 910 AND ITEMS 21 THRU 24.

DWG. 1270031 REV. K

DELETE GRPS. 903 AND 904 AND ITEMS 19, 43 & 44.

DWG. 1270036 REV. H

DELETE GRPS. 908 & 909, AND ITEMS 8, 9, 22 & 23.

DWG. 0970276 REV. D

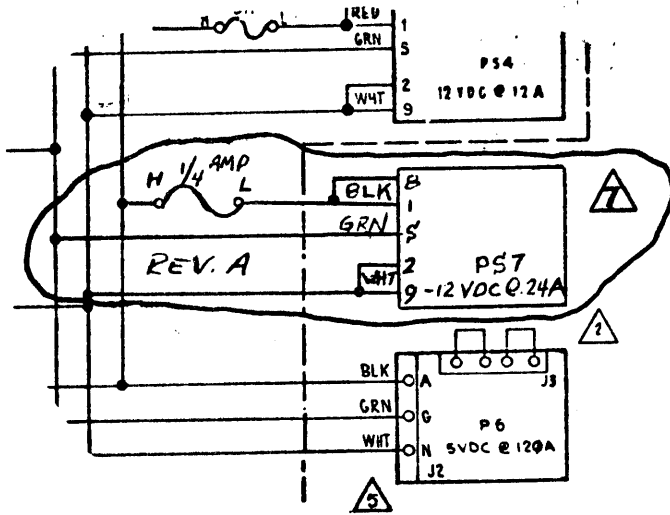
ADD -12V POWER SUPPLY AS PER MARKED UP PRINT.

CORRECT POWER SUPPLY PICTORIALS TO AGREE
WITH #0970042.

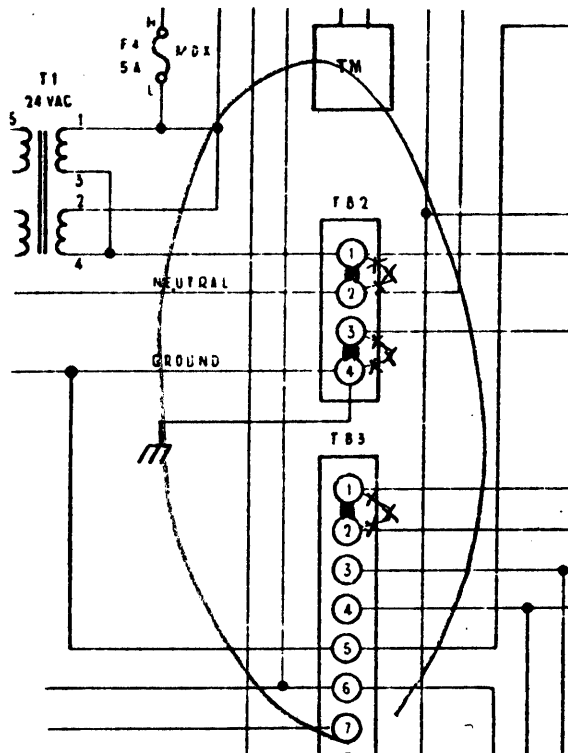
INTERIM CHANGE PACKAGE (CONT.)

DESCRIPTION OF CHANGE:

DWG. 0970276 REV. D
REVISE DWG AS SHOWN
ZONE B3



ZONE B6



ZONE B2

NOTES:

- 1. FOR 115 VAC OPERATION INSTALL JUMPER BETWEEN TB1-1 & TB1-2, FOR 230VAC OPERATION INSTALL JUMPER BETWEEN TB1-2 & TB1-3.
- 2. JUMPERS INSTALLED 115 VAC ;115/230 VAC OPERATION.
- 3. BASIC CONFIGURATION:
PS1 & PS2 INTERNAL TO POWER DISTRIBUTION UNIT CHASSIS.
FULL CONFIGURATION:
PS1 & PS4 INTERNAL TO POWER DISTRIBUTION UNIT CHASSIS PS2 & PS3 EXTERNAL.
EXPANDED CONFIGURATION:
PS1 & PS4 INTERNAL TO POWER DISTRIBUTION UNIT CHASSIS PS2, PS3 & PS6 EXTERNAL.
- 4. SEE POWER DISTRIBUTION UNIT ASSEMBLY DWG. NO. 1270130 FOR REFERENCE.
- 5. PS2, PS3 & PS6 ARE INTERNALLY FUSED.
- 002 ONLY
6. TRACK GND TO DC COMMON, TERMINAL BLOCK TB1 IS PROVIDED FOR SPECIAL GROUNDING CONFIGURATIONS.

7. SPECIAL OPTION REV. A USED WITH 6-1 AND 6-5 BY SPECIAL ORDER ONLY, VOIDS UL.

INTERIM CHANGE PACKAGE

DOCUMENT NUMBER: 0800004	DOCUMENT TITLE: SLASH 6 DRAWING MANUAL
------------------------------------	--

EFFECTIVITY (SERIAL & MODEL NO.):
5-9-78

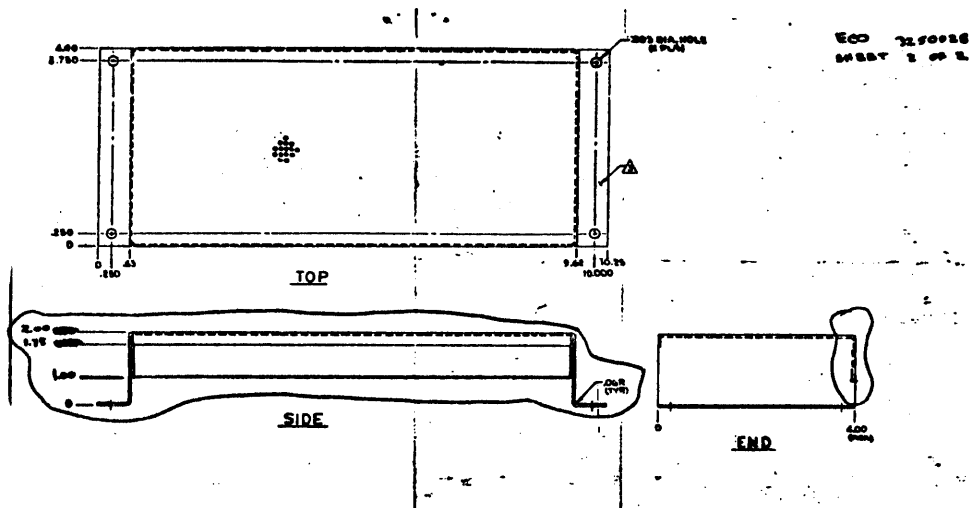
ECO/ECP REFERENCE: 0378C194-10 REV. A	<p>REV A: CHANGED REVS OF- *1270067 FROM B TO A *1270075 FROM A TO B ADDED CHANGES TO *1270067 & 1270075 (SM. 2 of 3)</p>
---	--

DESCRIPTION OF CHANGE:
DWG. 3250028 REV. A

CHANGE DRAWING PER SHEET 2 OF THIS ECO.

NOTE:

40 PARTS HAVE BEEN RECEIVED. VENDOR NOTIFIED TO STOP PRODUCTION UNTIL CHANGE HAS BEEN APPROVED.



INTERIM CHANGE PACKAGE (CONT.)

DESCRIPTION OF CHANGE:

DWG. 1270031 REV. M

CHANGE: ALL DASH NUMBERS

FROM	ITEM #	QTY	PART NUMBER	DESCRIPTION
	58	1	1550156-902	COMPONENT ASSY. PRIORITY INTERCEPT TERM.

TO:	ITEM #	QTY	PART NUMBER	DESCRIPTION
	58	1	1550146-902	COMPONENT ASSY. PRIORITY INTERCEPT TERM.

CHANGE: ALL DASH NUMBERS

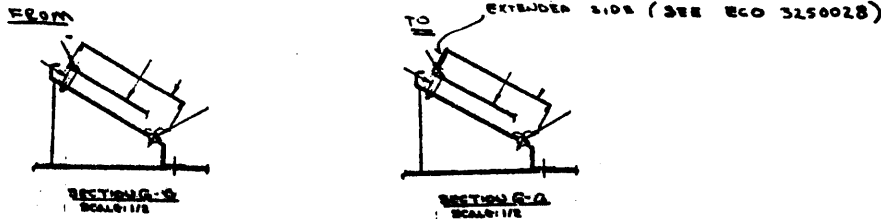
FROM:

ITEM #	QTY	PART NUMBER	DESCRIPTION
47	4	2810212-102	SCREW, PAN HD. #6-32 x 5/16

TO:

ITEM #	QTY	PART NUMBER	DESCRIPTION
47	4	2810212-101	SCREW, PAN HEAD, PHIL, 6-32 x 250 LONG

CHANGE PICTORIAL OF SECTION G-G



DWG. 1270032 REV. K

CHANGE: ALL DASH NUMBERS

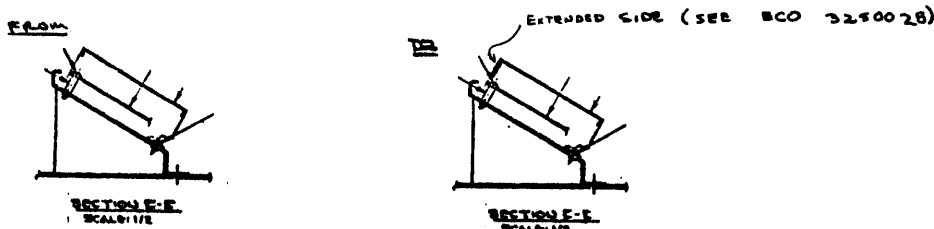
FROM:

ITEM #	QTY	PART NUMBER	DESCRIPTION
52	4	2810212-102	SCREW, PAN HEAD, #6-32 x 3/2 LG.

TO:

ITEM #	QTY	PART NUMBER	DESCRIPTION
52	4	2810212-101	SCREW, PAN HEAD, PHIL, #6-32 x 250 LONG

CHANGE PICTORIAL IN SECTION E-E





INTERIM CHANGE PACKAGE (CONT.)

DESCRIPTION OF CHANGE:

DWG 1270043 REV. F

CHANGE : ALL DASH NUMBERS
FROM

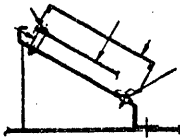
ITEM#	QTY	PART NUMBER	DESCRIPTION
59	4	2810212-102	SCREW, PAN HEAD, #6-32 X <u>3/16</u> LG.

TO:

ITEM#	QTY	PART NUMBER	DESCRIPTION
59	4	2810212-101	SCREW, PAN HEAD, PHIL, #6-32 X <u>2/16</u> LG.

CHANGE PICTORIAL OF SECTION C-C

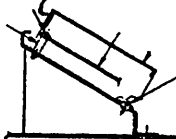
FROM



SECTION C-C
SCALE: 1/2

TO

EXTENDED SIDE (SEE ECO 3250028)



SECTION C-C
SCALE: 1/2

DWG. 1270067 REV. A

CHANGE : ALL DASH NUMBERS
FROM

ITEM#	QTY	PART NUMBER	DESCRIPTION
32	4	2810212-105	SCREW, PAN HD. PHIL #6-32 X <u>1/2</u>

TO

ITEM#	QTY	PART NUMBER	DESCRIPTION
32	4	2810212-101	SCREW, PAN HD. PHIL #6-32 X <u>1/4</u>

CHANGE: ALL DASH NUMBERS
FROM

ITEM#	QTY	PART NUMBER	DESCRIPTION
33	4	2810212-110	SCREW, PAN HEAD, PHIL #6-32 X <u>1/2</u>

TO

ITEM#	QTY	PART NUMBER	DESCRIPTION
33	4	2810212-108	SCREW, PAN HEAD, PHIL #6-32 X <u>7/8</u>

CHANGE ALL DASH NUMBERS

FROM:	ITEM	QTY	PART NO.#	DESCRIPTION
	6	1	1550146-901	COMPONENT ASSY. TERM.

TO:	ITEM	QTY	PART NO.#	DESCRIPTION
	6	1	1550146-902	" " "

INTERIM CHANGE PACKAGE (CONT.)

DESCRIPTION OF CHANGE:

DWG. 1270067 REV. A

CHANGE: ALL DASH NUMBERS
FROM:

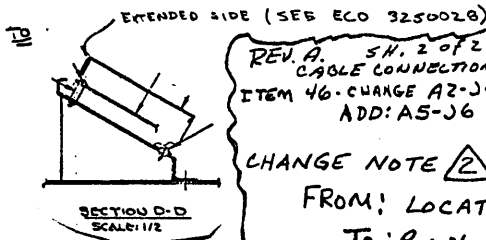
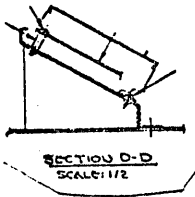
ITEM#	QTY	PART NUMBER	DESCRIPTION
36	4	3110002 - 103	STANDOFF, ROUND, .250 OD. x <u>5/8 LG</u>

TO

ITEM#	QTY	PART NUMBER	DESCRIPTION
36	4	3110002 - 208	STANDOFF, ROUND, .250 O.D. x <u>3/16 LG</u>

CHANGE PICTORIAL OF SECTION D-D

FROM



REV. A. SH. 2 OF 2
CABLE CONNECTION CHART
ITEM 46. CHANGE A2-J4 TO A2-J2
ADD: A5-J6

CHANGE NOTE Δ
FROM: LOCATION -----
TO: PIN NUMBER -----

CHANGE: ALL DASH NUMBERS
FROM

ITEM#	901 QTY	902 QTY	903 QTY	PART NUMBER	DESCRIPTION
26	31	46	60	3110027-002	WASHER, SPRING #8

TO

ITEM#	901 QTY	902 QTY	903 QTY	PART NUMBER	DESCRIPTION
26	31	46	60	3110018-003	WASHER, SPRING #8

DWG. 1270075 REV B.

CHANGE: ALL DASH NOS.#

FROM: ITEM	QTY	PART NOS.#	DESCRIPTION
6	1	1550146-901	COMPONENT ASSY. PI TERMINATOR
TO: ITEM	QTY	PART NOS.#	DESCRIPTION
6	1	1550146-902	COMPONENT ASSY. PI TERMINATOR

CHANGE ALL DASH NUMBERS
FROM

ITEM#	QTY	PART NUMBER	DESCRIPTION
32	4	2810212 - 105	SCREW, PAN HD. PHIL #6-32 = <u>1/2</u>

TO

ITEM#	QTY	PART NUMBER	DESCRIPTION
32	4	28100212 - <u>101</u>	SCREW, PAN HD. PHIL #6-32 = <u>1/4</u>

INTERIM CHANGE PACKAGE (CONT.)

DESCRIPTION OF CHANGE:

DWG. 1270075 REV. B

CHANGE: ALL DASH NUMBERS

FROM ITEM #	QTY	PART NUMBER	DESCRIPTION
33	4	2810212-110	SCREW, PAN HD. PHIL #6-32-1 1/8

TO ITEM #	QTY	PART NUMBER	DESCRIPTION
33	4	2810212-108	SCREW, PAN HD. PHIL, #6-32-7/8

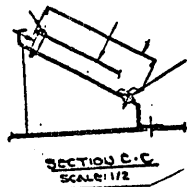
CHANGE: ALL DASH NUMBERS

FROM ITEM #	QTY	PART NUMBER	DESCRIPTION
36	4	3110002-109	STAND OFF, ROUND, .250 O.D. x 5/8 LG

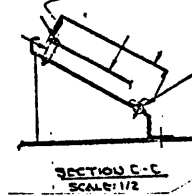
TO ITEM #	QTY	PART NUMBER	DESCRIPTION
36	4	3110002-208	STANDOFF, ROUND, .250 O.D. x 9/16 LG

CHANGE PICTORIAL OF SECTION C-C

FROM



TO EXTENDED SIDE (SEE ECO 3260028)



REV. A SH. 2 OF 2
 CABLE CONNECTION CHART
 ITEM 46 - CHANGE A2-J4
 TO A2-J2
 ADD: ADD TO A5;
 A5-J6
 ITEM 44 REVISE AS SHOWN
 A3-J4-1 & 2.
 CHANGE NOTE FROM: LOCATION ---
 TO: PIN NUMBER ---

CHANGE: ALL DASH NUMBERS

FROM ITEM #	QTY	901 QTY	902 QTY	903 QTY	PART NUMBER	DESCRIPTION
26	34	68	76		3110037-002	WASHER, SPRING #8

TO ITEM #	QTY	901 QTY	902 QTY	903 QTY	PART NUMBER	DESCRIPTION
26	34	68	76		3110018-003	WASHER, SPRING #8

INTERIM CHANGE PACKAGE (CONT.)

DESCRIPTION OF CHANGE:

DWG. 1270139 REV. R

CHANGE: ALL DASH NUMBERS

FROM

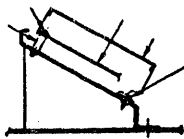
ITEM #	QTY	PART NUMBER	DESCRIPTION
43	4	2810212-102	SCREW, PAN HEAD, #6-32X.312 LONG

TO:

ITEM #	QTY	PART NUMBER	DESCRIPTION
43	4	2810212-101	SCREW, PAN HEAD, #6-32X.250 LONG

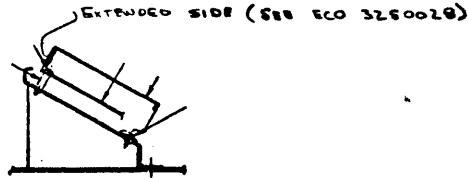
CHANGE PICTORIAL OF SECTION D-D

FROM



SECTION D-D
SCALE: 1/2

TO



SECTION D-D
SCALE: 1/2

DWG. 1270140 REV. P

CHANGE: ALL DASH NOS.

FROM: ITEM	QTY.	PART NOS	DESCRIPTION
50	4	3110002-209	STANDOFF, ROUND .2500
TO: 50	4	3110002-208	STANDOFF, ROUND .2500

CHANGE: ALL DASH NUMBERS

FROM

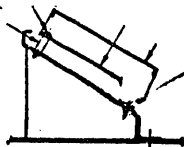
ITEM #	QTY	PART NUMBER	DESCRIPTION
47	4	2810212-102	SCREW, PAN HEAD, #6-32X.5/16 LONG

TO:

ITEM #	QTY	PART NUMBER	DESCRIPTION
47	4	2810212-101	SCREW, PAN HEAD, PHIL., #6-32X.250 LONG

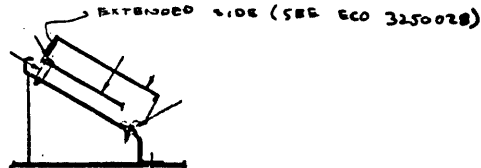
CHANGE PICTORIAL OF SECTION F-F:

FROM



SECTION F-F
SCALE: 1/2

TO



SECTION F-F
SCALE: 1/2

INTERIM CHANGE PACKAGE (CONT.)

DESCRIPTION OF CHANGE:

DWG. 1270141 REV. H

CHANGE: ALL DASH NUMBERS

FROM

ITEM#	QTY	PART NUMBER	DESCRIPTION
51	4	2810212 - 102	SCREW, PAN HEAD, #6-32 x .312 LONG

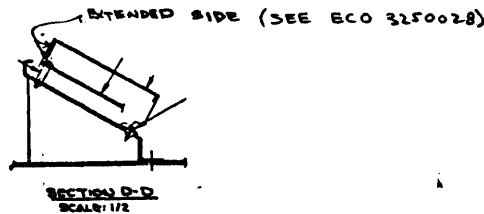
TO

ITEM#	QTY	PART NUMBER	DESCRIPTION
51	4	2810212 - 101	SCREW, PAN HEAD, PHIL, #6-32 x .375 LONG

CHANGE PICTORIAL OF SECTION D-D.

FROM

TO



DWG. 1270176 REV. G

CHANGE: ALL DASH NUMBERS

FROM

ITEM#	QTY	PART NUMBER	DESCRIPTION
53	4	2810212 - 102	SCREW, PAN HEAD, #6-32 x .312

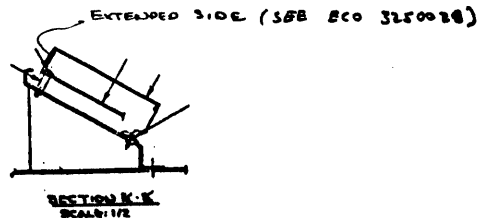
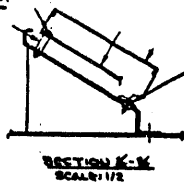
TO

ITEM#	QTY	PART NUMBER	DESCRIPTION
53	4	2810212 - 101	SCREW, PAN HEAD, PHIL, #6-32 x .375 LONG

CHANGE PICTORIAL OF SECTION K-K

FROM

TO





COMMUNICATIONS AND
INFORMATION HANDLING

ICP NO: 78-571	DATE: 4-18-78
--------------------------	-------------------------

INTERIM CHANGE PACKAGE

DOCUMENT NUMBER: 0800004	DOCUMENT TITLE: SLASH 6 DRAWING MANUAL
------------------------------------	--

EFFECTIVITY (SERIAL & MODEL NO.):
7-24-78

ECO/ECP REFERENCE:
0378C255-11 REV. A

REV. A
 CHANGED REVS. OF -
 #1270067 FROM C TO B
 #1270075 FROM B TO A

DESCRIPTION OF CHANGE:
DWG. 1270031 REV. N

CHANGE: ALL DASH NUMBERS

FROM:			
ITEM#	QTY	PART NUMBER	DESCRIPTION
14	1	1830025-904	CABLE ASSY, <u>PWR FAIL, MASTER CLR</u>

TO:			
ITEM#	QTY	PART NUMBER	DESCRIPTION
14	1	1850056-904	CABLE ASSY, <u>POWER FAIL SIGNALS</u>

CHANGE: ALL DASH NUMBERS

FROM:			
ITEM#	QTY	PART NUMBER	DESCRIPTION
32	1	1830025-905	CABLE ASSY, <u>PWR FAIL, MASTER CLEAR</u>

TO:			
ITEM#	QTY	PART NUMBER	DESCRIPTION
32	1	1850056-905	CABLE ASSY, <u>POWER FAIL SIGNALS</u>

CHANGE: ALL DASH NUMBERS

FROM:			
ITEM#	QTY	PART NUMBER	DESCRIPTION
53	1	1830025-906	CABLE ASSY, <u>POWER FAIL SIGNALS</u>

TO:			
ITEM#	QTY	PART NUMBER	DESCRIPTION
53	1	1850058-906	CABLE ASSY, <u>POWER FAIL SIGNALS</u>

DWG. 1270032 REV. L

CHANGE: ALL DASH NUMBERS

FROM:			
ITEM#	QTY	PART NUMBER	DESCRIPTION
14	1	1830025-904	CABLE ASSY, <u>PWR FAIL, MASTER CLR</u>

TO:			
ITEM#	QTY	PART NUMBER	DESCRIPTION
14	1	1850056-904	CABLE ASSY, <u>POWER FAIL SIGNALS</u>

CHANGE: ALL DASH NUMBERS

FROM:			
ITEM#	QTY	PART NUMBER	DESCRIPTION
34	1	1830025-905	CABLE ASSY, <u>PWR FAIL, MASTER CLEAR</u>

TO:			
ITEM#	QTY	PART NUMBER	DESCRIPTION
36	1	1850056-905	CABLE ASSY, <u>POWER FAIL-SIGNALS</u>

INTERIM CHANGE PACKAGE (CONT.)

DESCRIPTION OF CHANGE:

DWG. 1270032 REV. L

CHANGE: ALL DASH NUMBERS

FROM:

ITEM#	QTY	PART NUMBER	DESCRIPTION
58	1	1830025-906	CABLE ASSY, POWER-FAIL-SIGNALS

TO:

ITEM#	QTY	PART NUMBER	DESCRIPTION
58	1	1850058-906	CABLE ASSY, POWER FAIL-SIGNALS

DWG. 1270043 REV. G.

CHANGE: ALL DASH NUMBERS

FROM:

ITEM#	QTY	PART NUMBER	DESCRIPTION
14	2	1830025-910	CABLE ASSY, POWER FAIL MATTER CLR. (PDS)

TO:

ITEM#	QTY	PART NUMBER	DESCRIPTION
14	2	1850056-910	CABLE ASSY, POWER FAIL SIGNALS

CHANGE: ALL DASH NUMBERS

FROM:

ITEM#	QTY	PART NUMBER	DESCRIPTION
40	1	1830025-909	CABLE ASSY, PWR FAIL (PW DASH)

TO:

ITEM#	QTY	PART NUMBER	DESCRIPTION
40	1	1850058-909	CABLE ASSY, POWER FAIL SIGNALS

DWG. 1270067 REV. B

CHANGE: ALL DASH NUMBERS

FROM:

ITEM#	QTY	PART NUMBER	DESCRIPTION
44	1	1830025-908	CABLE ASSY, PWR FAIL-SIGNALS

TO:

ITEM#	QTY	PART NUMBER	DESCRIPTION
44	1	1850058-908	CABLE ASSY, POWER FAIL SIGNALS



INTERIM CHANGE PACKAGE (CONT.)

DESCRIPTION OF CHANGE:

DWG. 1270067 REV. B

CHANGE: ALL DASH NUMBERS

FROM:

ITEM#	QTY	PART NUMBER	DESCRIPTION
45	2	1830025-901	CABLE ASSY, PWR FAIL SIGNALS

TO:

ITEM#	QTY	PART NUMBER	DESCRIPTION
45	2	1850054-901	CABLE ASSY, POWER FAIL SIGNALS

CHANGE ITEM 45 REF DESIGNATION W3 IN CABLE CONNECTION CHART ON SHEET 2 OF DRAWING: FROM 45 $\frac{W3-P2}{W3-P1}$ TO 45 $\frac{W3-P1}{W3-P2}$

DWG. 1270075 REV. A

CHANGE: ALL DASH NUMBERS

FROM:

ITEM#	QTY	PART NUMBER	DESCRIPTION
44	1	1830025-908	CABLE ASSY, PWR FAIL-SIGNALS

TO:

ITEM#	QTY	PART NUMBER	DESCRIPTION
44	1	1850058-908	CABLE ASSY, POWER FAIL SIGNALS

CHANGE: ALL DASH NUMBERS

FROM:

ITEM#	QTY	PART NUMBER	DESCRIPTION
45	2	1830025-901	CABLE ASSY, PWR FAIL SIGNALS

TO:

ITEM#	QTY	PART NUMBER	DESCRIPTION
45	2	1850056-901	CABLE ASSY, POWER FAIL SIGNALS

CHANGE ITEM 45 REF. DESIGNATION W3 IN CABLE CONNECTION CHART ON SHEET 2 OF DRAWING: FROM 45 $\frac{W3-P2}{W3-P1}$ TO 45 $\frac{W3-P1}{W3-P2}$



INTERIM CHANGE PACKAGE (CONT.)

DESCRIPTION OF CHANGE:

DWG. 1270139 REV. S

CHANGE: ALL DASH NUMBERS

FROM:

ITEM#	QTY	PART NUMBER	DESCRIPTION
14	1	1830025-904	CABLE ASSY, <u>POWER FAIL (MC)</u>

TO:

ITEM#	QTY	PART NUMBER	DESCRIPTION
14	1	1850056-904	CABLE ASSY, <u>POWER FAIL SIGNALS</u>

CHANGE: ALL DASH NUMBERS

FROM:

ITEM#	QTY	PART NUMBER	DESCRIPTION
32	1	1830025-905	CABLE ASSY, <u>POWER FAIL (PFS)</u>

TO:

ITEM#	QTY	PART NUMBER	DESCRIPTION
32	1	1850056-905	CABLE ASSY, <u>POWER FAIL SIGNALS</u>

DWG. 1270140 REV. R

CHANGE: ALL DASH NUMBERS

FROM:

ITEM#	QTY	PART NUMBER	DESCRIPTION
14	1	1830025-904	CABLE ASSY, <u>POWER FAIL (MC)</u>

TO:

ITEM#	QTY	PART NUMBER	DESCRIPTION
14	1	1850056-904	CABLE ASSY, <u>POWER FAIL SIGNALS</u>

CHANGE: ALL DASH NUMBERS

FROM:

ITEM#	QTY	PART NUMBER	DESCRIPTION
36	1	1830025-905	CABLE ASSY, <u>POWER FAIL (PFS)</u>

TO:

ITEM#	QTY	PART NUMBER	DESCRIPTION
36	1	1850056-905	CABLE ASSY, <u>POWER FAIL SIGNALS</u>



COMMUNICATIONS AND
INFORMATION HANDLING

ICP NO:
78-571

DATE:
4-18-78

INTERIM CHANGE PACKAGE (CONT.)

DESCRIPTION OF CHANGE:

DWG. 1270141 REV. J

CHANGE: ALL DASH NUMBERS

FROM:

<u>ITEM#</u>	<u>QTY</u>	<u>PART NUMBER</u>	<u>DESCRIPTION</u>
14	2	1830025 - 910	CABLE ASSY, POWER FAIL, SIGNALS

TO

<u>ITEM#</u>	<u>QTY</u>	<u>PART NUMBER</u>	<u>DESCRIPTION</u>
14	2	1850056 - 910	CABLE ASSY, POWER FAIL SIGNALS

DWG. 1270176 REV. H

CHANGE: ALL DASH NUMBERS

FROM:

<u>ITEM#</u>	<u>QTY</u>	<u>PART NUMBER</u>	<u>DESCRIPTION</u>
14	2	1830025 - 910	CABLE ASSY, PWR FAIL, MASTER CLEAR

TO

<u>ITEM#</u>	<u>QTY</u>	<u>PART NUMBER</u>	<u>DESCRIPTION</u>
14	2	1850056 - 910	CABLE ASSY, <u>POWER FAIL SIGNALS</u>

CHANGE: ALL DASH NUMBERS

FROM:

<u>ITEM#</u>	<u>QTY</u>	<u>PART NUMBER</u>	<u>DESCRIPTION</u>
40	1	1830025 - 900	CABLE ASSY, PWR FAIL (PWR DWN)

TO:

<u>ITEM#</u>	<u>QTY</u>	<u>PART NUMBER</u>	<u>DESCRIPTION</u>
40	1	1850058 - 900	CABLE ASSY, <u>POWER FAIL SIGNALS</u>

INTERIM CHANGE PACKAGE (CONT.)

DESCRIPTION OF CHANGE:

DWG. 1270025 REV. J

CHANGE ALL DASH NUMBERS:

FROM

<u>ITEM #</u>	<u>QTY</u>	<u>PART NUMBER</u>	<u>DESCRIPTION</u>
12	1	<u>1830025-901</u>	CABLE ASSY, <u>PWR FAIL MASTERCLE</u>

TO

<u>ITEM #</u>	<u>QTY</u>	<u>PART NUMBER</u>	<u>DESCRIPTION</u>
12	1	<u>1850056-901</u>	CABLE ASSY, <u>POWER FAIL SIGNALS</u>

CHANGE ALL DASH NUMBERS:

FROM

<u>ITEM #</u>	<u>QTY</u>	<u>PART NUMBER</u>	<u>DESCRIPTION</u>
31	1	<u>1830025-902</u>	CABLE ASSY, <u>PWR. FAIL (PFS)</u>

TO

<u>ITEM #</u>	<u>QTY</u>	<u>PART NUMBER</u>	<u>DESCRIPTION</u>
31	1	<u>1850056-902</u>	CABLE ASSY, <u>POWER FAIL SIGNALS</u>

DWG. 1270026 REV. K

CHANGE ALL DASH NUMBERS:

FROM

<u>ITEM #</u>	<u>QTY</u>	<u>PART NUMBER</u>	<u>DESCRIPTION</u>
17	1	<u>1830025-901</u>	CABLE ASSY, <u>PWR FAIL MASTERCLE</u>

TO

<u>ITEM #</u>	<u>QTY</u>	<u>PART NUMBER</u>	<u>DESCRIPTION</u>
17	1	<u>1850056-901</u>	CABLE ASSY, <u>POWER FAIL SIGNALS</u>

CHANGE ALL DASH NUMBERS:

FROM

<u>ITEM #</u>	<u>QTY</u>	<u>PART NUMBER</u>	<u>DESCRIPTION</u>
32	1	<u>1830025-902</u>	CABLE ASSY, <u>PWR. FAIL (PFS)</u>

TO

<u>ITEM #</u>	<u>QTY</u>	<u>PART NUMBER</u>	<u>DESCRIPTION</u>
32	1	<u>1850056-902</u>	CABLE ASSY, <u>POWER FAIL SIGNALS</u>



COMMUNICATIONS AND INFORMATION HANDLING

ICP NO: 78-572	DATE: 4-13-78
-------------------	------------------

INTERIM CHANGE PACKAGE

DOCUMENT NUMBER: 0800004	DOCUMENT TITLE: SLASH 6 DRAWING MANUAL
-----------------------------	---

EFFECTIVITY (SERIAL & MODEL NO.):
4-18-78

ECO/ECP REFERENCE:
0378C168-2

DESCRIPTION OF CHANGE:

DWG. 1510322-901
REVISE DWG AS SHOWN:

ADD:

ITEM	QTY	PART NO	DESCRIPTION
9	1	2810212-103	SCREW P/H #6-32X.375

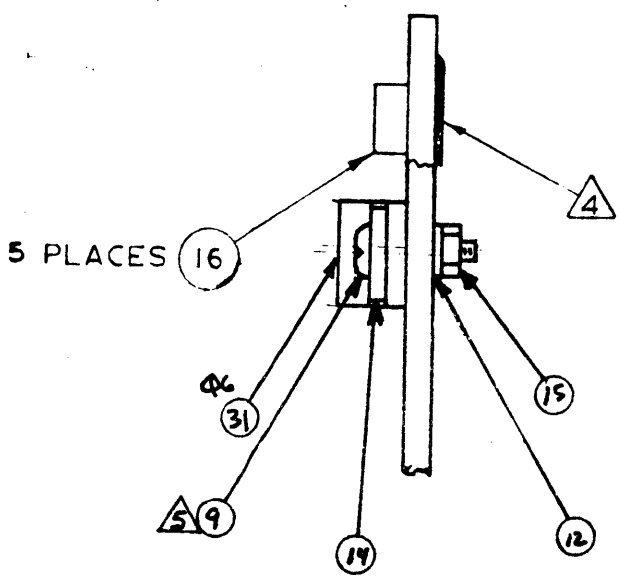
CHANGE QTY.

	ITEM	QTY	PART NO	DESCRIPTION
FROM	12	8	3110037-005	WASHER SPRING #6
TO	12	9	3110037-005	WASHER SPRING #6
FROM	14	2	2810013-001	WASHER, RECT.
TO	14	3	2810013-001	WASHER, RECT.
FROM	15	8	2810208-002	NUT, HEX #6-32
TO	15	9	2810208-002	NUT, HEX #6-32

INTERIM CHANGE PACKAGE (CONT.)

DESCRIPTION OF CHANGE:

DWG. 1570322 REV. D
 REVISE DRAWING AS SHOWN
 (ZONE C4)



DWG. 1570322 REV. D
 UPDATE RLC CHART

REVISION LEVEL CONTROL CHART			
APPLICABLE ASSY DASH NO.		901	
LOWEST USABLE ASSY LEVEL		X A B C D	
DWG NO.	TITLE	USABLE DRAWING REVISION	
THIS DWG	ASSEMBLY	- A B C D	
1570322	PC. ASSEMBLY (R)	- A B C D	
7070322	DRILL & DIM	- A A A A	
0950322	SCHEMATIC DIAG.	- A A A A	



COMMUNICATIONS AND
INFORMATION HANDLING

ICP NO:

78-573

DATE:

4-13-78

INTERIM CHANGE PACKAGE

DOCUMENT NUMBER:

0800004

DOCUMENT TITLE:

SLASH 6 DRAWING MANUAL

EFFECTIVITY (SERIAL & MODEL NO.):

5-9-78

ECO/ECP REFERENCE:

0378C238-10

DESCRIPTION OF CHANGE:

DWG. 1270031 REV. L
REVISE AS SHOWN -

ALL GROUPS

ITEM 30, 6610130-001 LABEL UNIT I D

CHANGE QTY. ALL GROUPS

FROM: 1

TO: X

ITEM 40, 6630010-001 UL EQUIPMENT LABEL

CHANGE QTY. ALL GROUPS

FROM: 1

TO: X



COMMUNICATIONS AND
INFORMATION HANDLING

ICP NO:

78-559

DATE:

3-30-78

INTERIM CHANGE PACKAGE

DOCUMENT NUMBER:

0800004

DOCUMENT TITLE:

SLASH 6 DRAWING MANUAL

EFFECTIVITY (SERIAL & MODEL NO.):

8-14-78

ECO/ECP REFERENCE:

0378-C 215-5

REV. A
CORRECTS REV. OF 0970223
ON RLC CHARTS

DESCRIPTION OF CHANGE:

DWG. 1510223 REV. H

DELETE ITEM 5, AI 49020-001; NUT, CARD; QTY. 6
DELETE ITEM 12, 2B10007-306; RIVET, TUBULAR
CHANGE QTY ITEM 9, 2B10011-101; FROM: 6; TO: 4
ADD ITEM 13: QTY. 4; 3610102-001; CARD NUT

DWG. 1570223 REV. L

ALL GROUPS
CHANGE BOARD OUTLINE PER ECO 7070223 REV E
DELETE ITEMS 5 (CARD NUT) AND 12 (RIVET)
ADD ITEM 13 FOUR PLACES AND REDUCE QTY OF ITEM 9
FROM: 6 PLACES; TO: 4 PLACES (SEE ECO 7070223 REV. E
& ECO 1510223 REV. G)



COMMUNICATIONS AND
INFORMATION HANDLING

ICP NO.:

78-559

DATE:

3-30-78

INTERIM CHANGE PACKAGE (CONT.)

DESCRIPTION OF CHANGE:

DWG. 1570223 REV. L

REVISION LEVEL CONTROL CHART												
APPLICABLE ASSY DASH NO.		901										
LOWEST USABLE ASSY LEVEL		X X X X X X X X X X X X X L										
DWG NO.	TITLE	USABLE DRAWING REVISION										
THIS DWG	ASSEMBLY	A	B	C	D	E	F	G	H	J	K	L
1510223	P.C. ASSY. (P.L.)	A	A	B	C	D	D	D	E	F	G	H
7070223	P.W. BD., DRILL & DIM.	-	A	A	B	C	C	D	D	E	F	G
0970223	LOGIC DIAGRAM	-	A	A	B	C	C	C	D	E	F	G
REVISION LEVEL CONTROL CHART												
APPLICABLE ASSY DASH NO.		902										
LOWEST USABLE ASSY LEVEL		X X X X X X X X X X X X X L										
DWG NO.	TITLE	USABLE DRAWING REVISION										
THIS DWG	ASSEMBLY	A	B	C	D	E	F	G	H	J	K	L
1510223	P.C. ASSY. (P.L.)	A	A	B	C	D	D	D	E	F	G	H
7070223	P.W. BD., DRILL & DIM.	-	A	A	B	C	C	D	D	E	F	G
0970223	LOGIC DIAGRAM	-	A	A	B	C	C	C	D	E	F	G
REVISION LEVEL CONTROL CHART												
APPLICABLE ASSY DASH NO.		903										
LOWEST USABLE ASSY LEVEL		X X X X X X X X X X X X X L										
DWG NO.	TITLE	USABLE DRAWING REVISION										
THIS DWG	ASSEMBLY	A	B	C	D	E	F	G	H	J	K	L
1510223	P.C. ASSY. (P.L.)	A	A	B	C	D	D	D	E	F	G	H
7070223	P.W. BD., DRILL & DIM.	-	A	A	B	C	C	D	D	E	F	G
0970223	LOGIC DIAGRAM	-	A	A	B	C	C	C	D	E	F	G

INTERIM CHANGE PACKAGE

DOCUMENT NUMBER: 0800004	DOCUMENT TITLE: SLASH 6 DRAWING MANUAL
------------------------------------	--

EFFECTIVITY (SERIAL & MODEL NO.):
5-8-78

ECO/ECP REFERENCE:
0478C291-2

DESCRIPTION OF CHANGE:
DWG. 1210130 REV. J

UPDATE DWG 1210130 (PARTS LIST) SH. 5 OF 5
AS FOLLOWS: ADD ITEMS 68 & 74 Group 904 ONLY.

ITEM	QTY. REQ.	PART NUMBER	DESCRIPTION
	904		
68	1	2210104-017	TERM LUG CRIMP RING TONGUE #6 YEL
74	1	2210104-02D	TERM LUG CRIMP RING TONGUE #1/4 YEL

UPDATE DWG. (WIRE CHART) SH. 1 OF 3
AS FOLLOWS:
ADD-

60	51	BLK	68	74	PS-1 OUT (+)	PS4 OUT (-)
----	----	-----	----	----	--------------	-------------



INTERIM CHANGE PACKAGE

DOCUMENT NUMBER:

0800004

DOCUMENT TITLE:

SLASH 6 DRAWING MANUAL

EFFECTIVITY (SERIAL & MODEL NO.):

4-18-78

ECO/ECP REFERENCE:

0378C168-2

REV. A

CHANGES PT. NO. OF ITEM 12

ON ECO 1510322:

FROM: 3110037-005

TO: 3110018-002.

PT. NO. WAS CHANGED ON PREVIOUS ECP.

DESCRIPTION OF CHANGE:

DWG. 1510322-901

REVISE DWG AS SHOWN:

ADD:

ITEM	QTY	PART NO	DESCRIPTION
87	1	2810212-103	SCREW P/H #6-32X.375

REV. B

CHANGES NEW

ITEM NO. FROM

9 to 7 ON

ECO 1510322

CHANGE QTY.

	ITEM	QTY	PART NO	DESCRIPTION
FROM	12	8	3110037-005	WASHER SPRING #6
TO	12	9	3110037-005	WASHER SPRING #6
FROM	14	2	2810013-001	WASHER, RECT.
TO	14	3	2810013-001	WASHER, RECT.
FROM	15	8	2810208-102	NUT, HEX #6-32
TO	15	9	2810208-002	NUT, HEX #6-32

REV A

3110018-002

PART NO

3110037-005

3110037-005

DESCRIPTION

WASHER SPRING #6

WASHER SPRING #6

WASHER, RECT.

WASHER, RECT.

NUT, HEX #6-32

NUT, HEX #6-32



COMMUNICATIONS AND INFORMATION HANDLING

ICP NO: 78-583	DATE: 5-4-78
-------------------	-----------------

INTERIM CHANGE PACKAGE

DOCUMENT NUMBER: 0800004	DOCUMENT TITLE: SLASH 6 DRAWING MANUAL
-----------------------------	---

EFFECTIVITY (SERIAL & MODEL NO.):
5-16-78

ECO/ECP REFERENCE:
0478C296-3

DESCRIPTION OF CHANGE:
DWG. 1570115 REV. T

UPDATE AND CORRECT RLC CHART

REVISION LEVEL CONTROL CHART		USABLE DRAWING REVISION																
APPLICABLE ASSY DASH NO. - 901																		
LOWEST USABLE ASSY LEVEL		XXXXXXXXXXXXXXXXXX																
DWG NO.	TITLE	A	B	C	D	E	F	G	H	J	K	L	M	N	P	R	S	T
THIS DWG	ASSEMBLY																	
1510115	PARTS LIST	A	B	C	D	E	E	F	F	G	G	H	H	J	J	J	J	
7070115	DRILL & DIM.	A	A	A	A	B	B	B	C	C	D	E	E	E	F	F	F	
0970115	LOGIC DIAGRAM	-	A	A	B	C	C	D	E	F	G	H	H	J	K	K	L	



COMMUNICATIONS AND
INFORMATION HANDLING

ICP NO: 78-580	DATE: 5-15-78
-------------------	------------------

INTERIM CHANGE PACKAGE

DOCUMENT NUMBER: 0800004	DOCUMENT TITLE: SLASH 6 DRAWING MANUAL
-----------------------------	---

EFFECTIVITY (SERIAL & MODEL NO.):
6-6-78

ECO/ECP REFERENCE:
0478C303-1

DESCRIPTION OF CHANGE:
DWG. 1570149 REV. K

UPDATE RLC CHART

REVISION LEVEL CONTROL CHART												
APPLICABLE ASSY DASH NO.		501										
LOWEST USABLE ASSY LEVEL		XXXXXX HJK										
DWG NO.	TITLE	USABLE DRAWING REVISION										
THIS DWG	ASSEMBLY	-	-	-	-	-	-	-	-	-	-	HJK
7070149	DRILL'S DIA	-	-	-	-	-	-	-	-	-	-	B/B
8510113	WIRE LIST	-	-	-	-	-	-	-	-	-	-	333



COMMUNICATIONS AND
INFORMATION HANDLING

ICP NO: 78-582	DATE: 5-15-78
--------------------------	-------------------------

INTERIM CHANGE PACKAGE

DOCUMENT NUMBER: 0800004	DOCUMENT TITLE: SLASH 6 DRAWING MANUAL
------------------------------------	--

EFFECTIVITY (SERIAL & MODEL NO.):
6-6-78

ECO/ECP REFERENCE:
0478C305-1

DESCRIPTION OF CHANGE:
DWG 1570244 REV. H
UPDATE RLC CHART

REVISION LEVEL CONTROL CHART																				
APPLICABLE ASSY DASH NO.		901																		
LOWEST USABLE ASSY LEVEL		XXXXDEFGH																		
D.V.C. NO.	TITLE	USABLE DRAWING REVISION																		
THIS DWG	ASSEMBLY	-	A	B	C	D	E	F	G	H										
7070244	DRILL DIM	-	-	-	-	-	A	A	B	B										
0210114	WIRE LIST	-	-	-	2	3	3	3	3	3										

INTERIM CHANGE PACKAGE

DOCUMENT NUMBER: 0800004	DOCUMENT TITLE: SLASH 6 DRAWING MANUAL
------------------------------------	--

EFFECTIVITY (SERIAL & MODEL NO.):
6-6-78

ECO/ECP REFERENCE:
0478C304-1

DESCRIPTION OF CHANGE:
DWG. 1570283-D
UPDATE RLC CHART

REVISION LEVEL CONTROL CHART			
APPLICABLE ASSY DASH NO	901		
LOWEST USEFUL ASSEMBLY LEVEL	X	A B C D	
DWG NO.	TITLE	USABLE DRAWING REVISION	
THIS DWG	ASSEMBLY	-	A B C D
7070283	P.W. BD. DRILL & DIM	-	A A A
0510115	WIRE LIST	-	A A A



COMMUNICATIONS AND INFORMATION HANDLING

ICP NO.:

78-585

DATE:

5-15-78

INTERIM CHANGE PACKAGE (CONT.)

DESCRIPTION OF CHANGE:

DWG. 1570115 REV. U
UPDATE RLC CHART

REVISION LEVEL CONTROL CHART		
APPLICABLE ASSY DASH NO. - 901		
LOWEST USABLE ASSY LEVEL XXXXXXXXXXXXXXXXXXXX		
DWG NO.	TITLE	USABLE DRAWING REVISION
THIS DWG	ASSEMBLY	A B C D E F G H I J K L M N P R S T U
1510115	PARTS LIST	A B C D E F F G G H H J J J J K
7070115	DRILL DIM	A B B B B B B C C D E E E F F G G
0970115	LOGIC DIAGRAM	A A B C C D E F F G H H J K L L L

DWG. 1570292 REV. T.
UPDATE RLC CHART

REVISION LEVEL CONTROL CHART		
APPLICABLE ASSY DASH NO. - 901		
LOWEST USABLE ASSY LEVEL XXXXXXXXXXXXXXXXXXXX		
DWG NO.	TITLE	USABLE DRAWING REVISION
THIS DWG	ASSEMBLY	A B C D E F G H I J K L M N P R S T
1510292	PARTS LIST	A B C C D D E E F F F F G H I K
7070292	DRILL DIM	A A A A B B B C C C C C C C
0970292	LOGIC DIAGRAM	A A B B C D E F F F G H J J J J

REVISION LEVEL CONTROL CHART		
APPLICABLE ASSY DASH NO. - 902		
LOWEST USABLE ASSY LEVEL XXXXXXXXXXXXXXXXXXXX		
DWG NO.	TITLE	USABLE DRAWING REVISION
THIS DWG	ASSEMBLY	A B C D E F G H I J K L M N P R S T
1510292	PARTS LIST	A B C C D D E E F F F F G H I K
7070292	DRILL DIM	A A A A B B B C C C C C C C
0970292	LOGIC DIAGRAM	A A B B C D E F F F G H J J J J

REV. A

INTERIM CHANGE PACKAGE

DOCUMENT NUMBER: **0800004** DOCUMENT TITLE: **SLASH 6 DRAWING MANUAL**

EFFECTIVITY (SERIAL & MODEL NO.): **10-1-78**

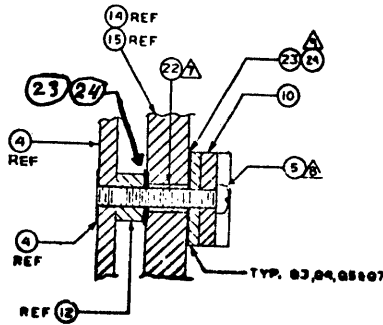
ECO/ECP REFERENCE: **0478C322-6** REV. A
DELETES CONTROL DOC.
FROM ECP.

DESCRIPTION OF CHANGE:

1. CHANGE D & D TO PERMIT MOUNTING RELAY WITH LARGER PINS.
2. UPDATE VIEW "CC" OF PC ASSY.

DWG. 1570313 REV. F

1. ON SHEET 3 VIEW "CC" CHANGE AS SHOWN



DWG. 1570313 REV. F.

2. UPDATE RLC CHART

REVISION LEVEL CONTROL CHART			
APPLICABLE ASSY DASH NO.	- 9 0 2		
LOWEST USABLE ASSY LEVEL	XXXXXX		
DWG NO.	TITLE	USABLE DRAWING REVISION	
1510313	PC ASSY (PL)	A	B C D E F
7070313	PW BD (DRILL DIM)	A	A B C D
0970313	SCHEMATIC DIAG.	A	B C D

REVISION LEVEL CONTROL CHART			
APPLICABLE ASSY DASH NO.	- 9 0 1		
LOWEST USABLE ASSY LEVEL	XXXXXX		
DWG NO.	TITLE	USABLE DRAWING REVISION	
1510313	PC ASSY (PL)	A	B C D E F
7070313	PW BD (DRILL DIM)	A	A B C D
0970313	SCHEMATIC DIAG.	A	B C D



COMMUNICATIONS AND INFORMATION HANDLING

ICP NO: 78-590	DATE: 6-9-78
-------------------	-----------------

INTERIM CHANGE PACKAGE

DOCUMENT NUMBER: 0800004	DOCUMENT TITLE: SLASH 6 DRAWING MANUAL
-----------------------------	---

EFFECTIVITY (SERIAL & MODEL NO.): 6-7-78

ECO/ECP REFERENCE: 0478C320-11 <u>REV B - CHANGES ERL FROM 99 TO 100</u>

DESCRIPTION OF CHANGE:

REV. A
CHANGES P.C. ARTWORK
AVAILABILITY DATE &
CORRECTS WORDING
OF DESCRIPTION OF
CHANGE.

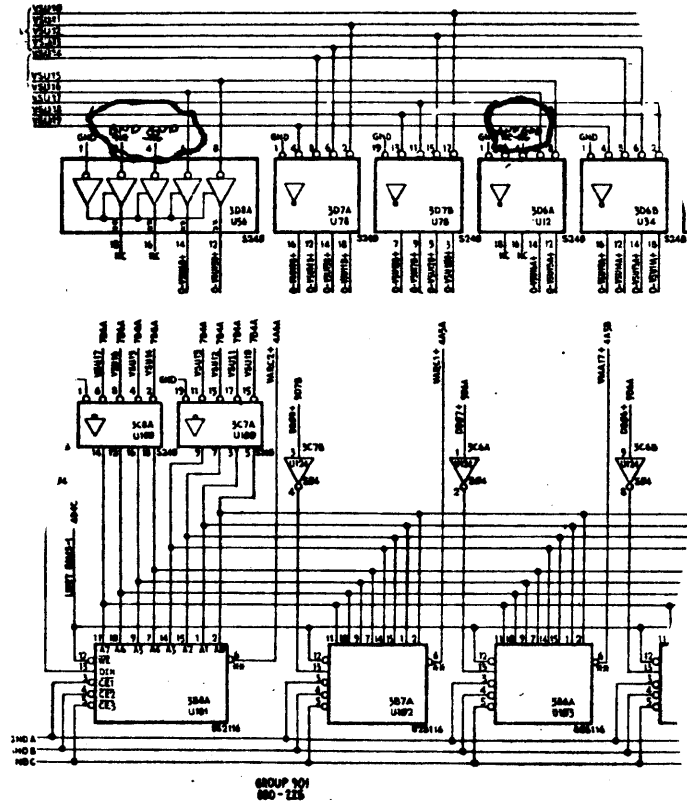
DWG. 1570223 REV. N

UPDATE RLC CHARTS

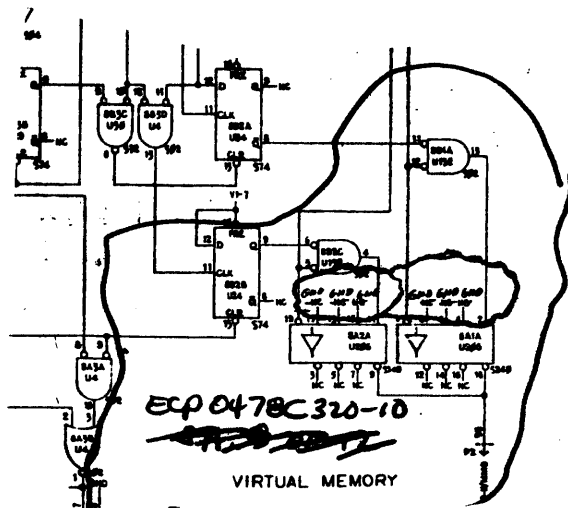
REVISION LEVEL CONTROL CHART														
APPLICABLE ASSY DASH NO.		901, 902, 903												
LOWEST USABLE ASSY LEVEL		ABCDEFGHIJKLMN												
DWG NO.	TITLE	USABLE DRAWING REVISION												
THIS DWG	ASSY.	A	B	C	D	E	F	G	H	J	K	L	M	N
1570223	P.C. ASSY (PL)	A	A	B	C	D	D	D	E	F	G	H	J	J
7070223	DRILL & DIM.	-	A	A	B	C	C	D	D	D	D	E	E	E
0970223	LOGIC	-	A	A	B	C	C	C	D	E	E	E	F	F

INTERIM CHANGE PACKAGE (CONT.)

DESCRIPTION OF CHANGE: **DWG. 0970223 REV. G.**
SH 3 ZONE D6-D8



SH.8 ZONE B1-B2





COMMUNICATIONS AND INFORMATION HANDLING

ICP NO.:

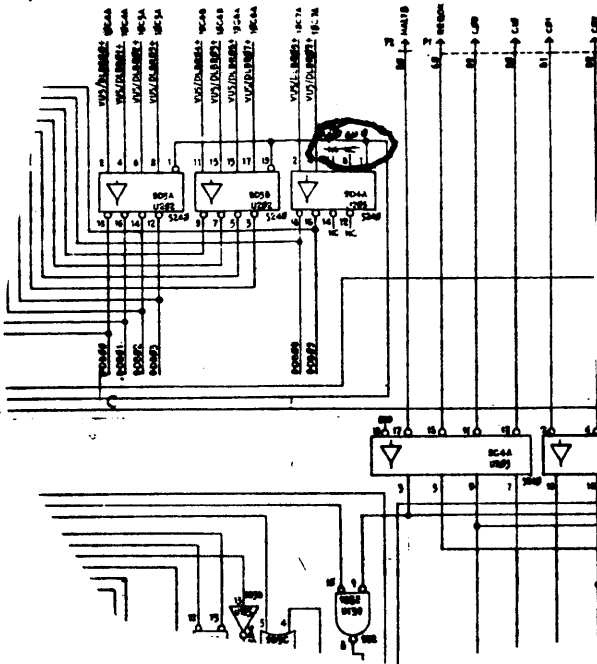
78-590

DATE:

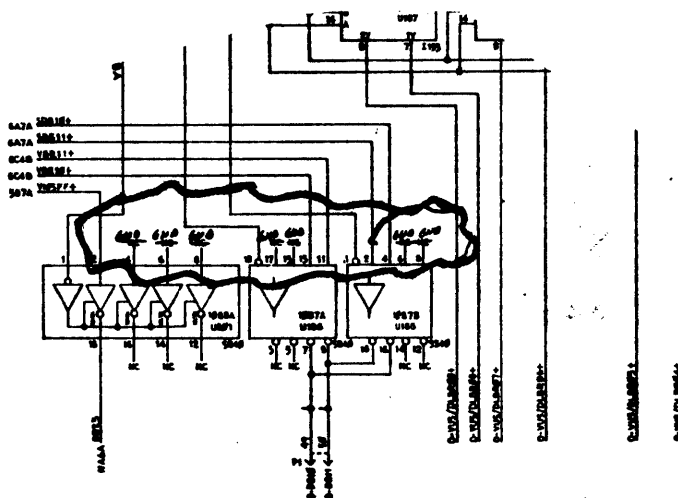
6-9-78

INTERIM CHANGE PACKAGE (CONT.)

DESCRIPTION OF CHANGE: DWG. 0970223 SH 10
ZONE D4

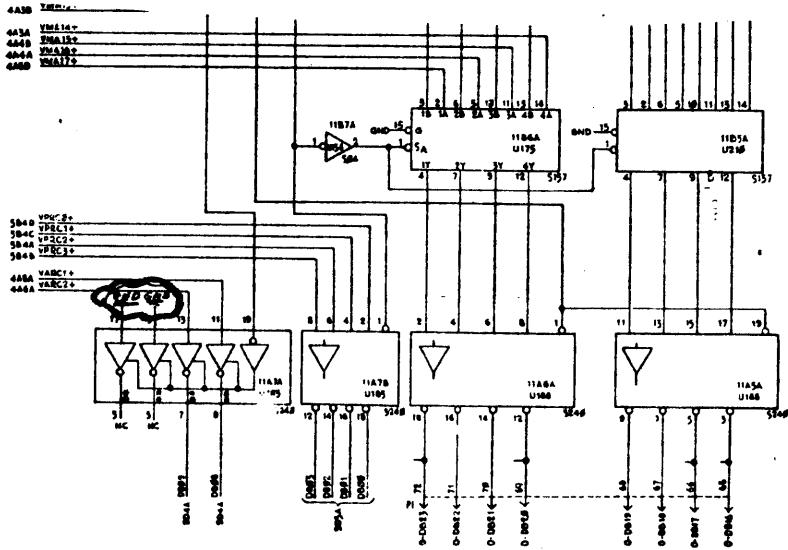


ZONE B7-B8



INTERIM CHANGE PACKAGE (CONT.)

DESCRIPTION OF CHANGE: **DWG. 0970223 REV. G - SH. 12**
ZONE B8





COMMUNICATIONS AND
INFORMATION HANDLING

ICP NO:

78-591

DATE:

6-19-78

INTERIM CHANGE PACKAGE

DOCUMENT NUMBER:

0800004

DOCUMENT TITLE:

SLASH 6 DRAWING MANUAL

EFFECTIVITY (SERIAL & MODEL NO.):

7-13-78

ECO/ECP REFERENCE:

0378C 192-18

DESCRIPTION OF CHANGE:

CHANGE WIRE TEFZEL TO: WIRE I.P.V.C.

STANDARDIZE WIRE USAGE.

DWG 151015 SH. 4

REVISE ITEM 90

CHANGE PART NO.

FROM: 6010108-008 WIRE TEFZEL INSUL. SOLID WHT. #30 AWG.

TO: 6010116-001 WIRE IPVC INSUL. SOLID WHT. #30 AWG.

NOTE: ALL WIRE IN PROCESS
(cut to Lgth) IS TO BE USED

DWG. 1570115 REV. W

UPDATE RLC CHART

REVISION LEVEL CONTROL CHART

APPLICABLE ASSY DASH NO. - 001		
LOWEST USABLE ASSY LEVEL XXXXXXXXXXMPREISTUVW		
DWG NO.	TITLE	USABLE DRAWING REVISION
151015	ASSEMBLY	A B C D E F G H I J K L M N P R S T U V W
151015	PARTS LIST	A B C D E F F G G H H I J J K L M
1570115	DRILL DIM	A B B B B B B C C D E E E E E E G
1570115	LOGIC DIAGRAM	- A A B C C D E F F G H H I K L L L L L

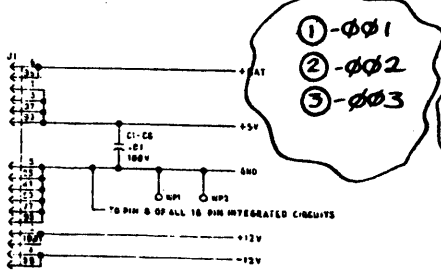
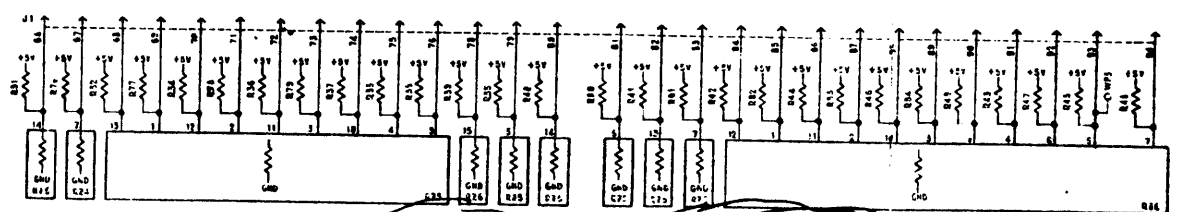
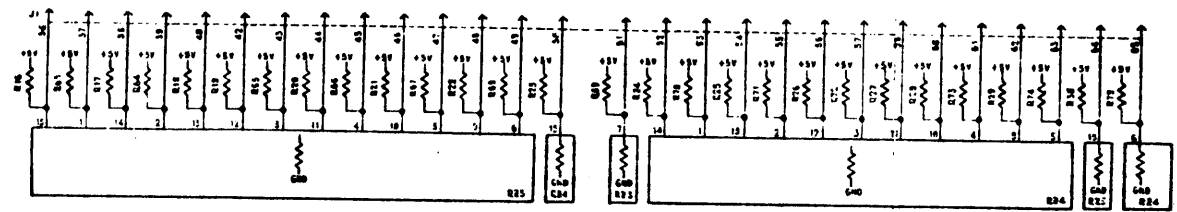
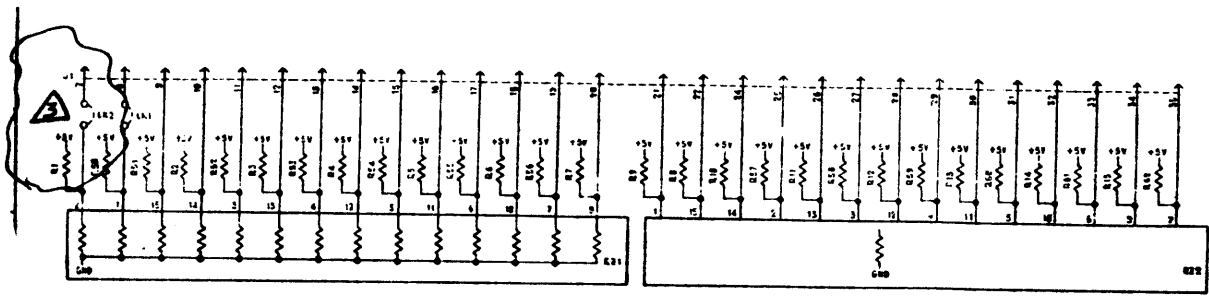
INTERIM CHANGE PACKAGE

DOCUMENT NUMBER: 0800004	DOCUMENT TITLE: SLASH 6 DRAWING MANUAL
------------------------------------	--

EFFECTIVITY (SERIAL & MODEL NO.):
6-16-78

ECO/ECP REFERENCE:
0578C380-2

DESCRIPTION OF CHANGE: **DWG. 0970328-UPDATE AS SHOWN**



NOTES:

1. RESISTOR PACKS R21 THRU R28 VALUES ARE 100 OHMS TO 600 OHMS.
2. RESISTORS R1 THRU R20 VALUES ARE 120 OHMS, 1.5%, 1/4 W.
3. RESISTORS R1 THRU R21 THRU R28 VALUES ARE 120 OHMS, 1.5%, 1/4 W.
4. RESISTORS R22 THRU R28 VALUES ARE 120 OHMS, 1.5%, 1/4 W.
5. RESISTORS R29 THRU R34 VALUES ARE 120 OHMS, 1.5%, 1/4 W.
6. RESISTORS R35 THRU R48 VALUES ARE 120 OHMS, 1.5%, 1/4 W.

3 - R02 & R03 ONLY, INSTALL LK1 & LK2



COMMUNICATIONS AND INFORMATION HANDLING

ICP NO: 78-592
DATE: 6-19-78

INTERIM CHANGE PACKAGE (CONT.)

DESCRIPTION OF CHANGE:

DWG. 0970328
REVISE DWG

ECP 05782380-2

ALL DIMENSIONS ARE IN INCHES UNLESS OTHERWISE SPECIFIED HARRIS COMPUTER SYSTEMS DIVISION	
DRAFTSMAN CHECKER PROJ ENGR ENGINEER PROJ ENGR	LOGIC DIAGRAM BACKPLANE TERMINATOR
D 29438 0970328	D 29438 0970328

DWG 1570328
REVISE DWG

REVISION LEVEL CONTROL CHART				REVISION LEVEL CONTROL CHART			
APPLICABLE ASSY DASH NO:	903	APPLICABLE ASSY DASH NO:	901	APPLICABLE ASSY DASH NO:	902	APPLICABLE ASSY DASH NO:	901
LOWEST USABLE ASSY LEVEL:	A B C D	LOWEST USABLE ASSY LEVEL:	A B C D	LOWEST USABLE ASSY LEVEL:	A B C D	LOWEST USABLE ASSY LEVEL:	A B C D
DWG NO:	0970328	DWG NO:	1570328	DWG NO:	0970328	DWG NO:	0970328
TITLE:	LOGIC DIAGRAM	TITLE:	LOGIC DIAGRAM	TITLE:	LOGIC DIAGRAM	TITLE:	LOGIC DIAGRAM

24	X	-	-	0970328					
23	-	X	-	0970328					
22	-	-	X	0970328					
20	4	4	-	60016-104	WIRE	TPVC INSUL	SOLD	RED	# 24 AWG
19	6	6	6	471001-021	R21 THRU R26	RESISTOR NETWORK	(DILL)	390 OHMS	
17					R75, R76	RESISTOR	270 OHMS	± 5%	1/4 W
16		24	-	4710501-145	R67 THRU R70				
					R59 THRU R64				
					R31, R32				
					R22 THRU R25				
15					R77 THRU R84	RESISTOR	150 OHMS	± 5%	1/4 W
					R31 THRU R74				
					R65, R66				
					R33 THRU R36				
					R26 THRU R30				
					R19 THRU R21				
					R1 THRU R12				
14		60	-	4710501-139	R1 THRU R84	RESISTOR	150 OHMS	± 5%	1/4 W
13	84	-	84	4710501-139	R1 THRU R84	RESISTOR	150 OHMS	± 5%	1/4 W
12	6	6	6	4-0031-237	C1 THRU C6	CER. CERAMIC DEC.	11FD	± 20%	50 V
11									
10	6	6	6	311011-003	P21 THRU R26	SCREW	TC DIP	10M	PROF. SOLDER TAB
9	4	4	4	311011-003		INSULATOR	SCREW	NYLON	± 250 LON'S
7	110	110	110	311021-001		RECTANGLE	SCREWS	MOUNT	
6	3	3	3	221012-003	W41 THRU W43	FEEDTHRU	PIN		
5	1	1	1	7070328-001		P.C. BOARD	DRILL	4 DIM	BACKPLANE TERM.
4									
3	X	-	-	THIS DWG-923		P.C. ASSY	BACKPLANE	TERMINATOR	
2	-	X	-	THIS DWG-509		P.C. ASSY	BACKPLANE	TERMINATOR	
1	-	-	X	THIS DWG-1000		P.C. ASSY	BACKPLANE	TERMINATOR	

INTERIM CHANGE PACKAGE

DOCUMENT NUMBER: 0800004	DOCUMENT TITLE: SLASH 6 DRAWING MANUAL
------------------------------------	--

EFFECTIVITY (SERIAL & MODEL NO.):
6-1-78

ECO/ECP REFERENCE:
0578C343-2

DESCRIPTION OF CHANGE:

*THIS ECP ADDS FILTERING NETWORK R10 & C25 TO SIGNAL PRON. THIS ELIMINATES NOISE ON PROGRAM RESTRICT KEY SWITCH.
CHANGE CONFIRMS RDC #1290*

DWG. 1510115 REV. L
REVISE DWG.

ITEM #89 - ADD: QTY. RQD. = 3 FT.
" " " : PART # = 6010116-104
" " " : DESCRIPTION = WIRE, 24GA. RED.

ITEM #82 - CHANGE R9 IN REFERENCE DESG. TO R10

DWG. 1570115 REV. V - REVISE AND UPDATE RLC CHART

REMOVE R9 & C25 ON ASSY PICTURE DWG.
SHOW R10 & C25 AS SHOWN ON SHEET 3. ON ASSY PICTURE DWG.

UPDATE RLC CHART

REVISION LEVEL CONTROL CHART		
APPLICABLE ASSY DASH NO.	- 901	
LOWEST USABLE ASSY LEVEL	1 2 3 4 5 6 7 8 9 10 11 12 13 14 15 16 17 18 19 20 21 22 23 24 25 26 27 28 29 30 31 32 33 34 35 36 37 38 39 40 41 42 43 44 45 46 47 48 49 50 51 52 53 54 55 56 57 58 59 60 61 62 63 64 65 66 67 68 69 70 71 72 73 74 75 76 77 78 79 80 81 82 83 84 85 86 87 88 89 90 91 92 93 94 95 96 97 98 99 100	
DWG NO.	TITLE	USABLE DRAWING REVISION
THIS DWG	ASSEMBLY	1 2 3 4 5 6 7 8 9 10 11 12 13 14 15 16 17 18 19 20 21 22 23 24 25 26 27 28 29 30 31 32 33 34 35 36 37 38 39 40 41 42 43 44 45 46 47 48 49 50 51 52 53 54 55 56 57 58 59 60 61 62 63 64 65 66 67 68 69 70 71 72 73 74 75 76 77 78 79 80 81 82 83 84 85 86 87 88 89 90 91 92 93 94 95 96 97 98 99 100
1510115	PARTS LIST	1 2 3 4 5 6 7 8 9 10 11 12 13 14 15 16 17 18 19 20 21 22 23 24 25 26 27 28 29 30 31 32 33 34 35 36 37 38 39 40 41 42 43 44 45 46 47 48 49 50 51 52 53 54 55 56 57 58 59 60 61 62 63 64 65 66 67 68 69 70 71 72 73 74 75 76 77 78 79 80 81 82 83 84 85 86 87 88 89 90 91 92 93 94 95 96 97 98 99 100
1570115	DRILL EDWG	1 2 3 4 5 6 7 8 9 10 11 12 13 14 15 16 17 18 19 20 21 22 23 24 25 26 27 28 29 30 31 32 33 34 35 36 37 38 39 40 41 42 43 44 45 46 47 48 49 50 51 52 53 54 55 56 57 58 59 60 61 62 63 64 65 66 67 68 69 70 71 72 73 74 75 76 77 78 79 80 81 82 83 84 85 86 87 88 89 90 91 92 93 94 95 96 97 98 99 100
0270115	LOGIC DIAGRAM	1 2 3 4 5 6 7 8 9 10 11 12 13 14 15 16 17 18 19 20 21 22 23 24 25 26 27 28 29 30 31 32 33 34 35 36 37 38 39 40 41 42 43 44 45 46 47 48 49 50 51 52 53 54 55 56 57 58 59 60 61 62 63 64 65 66 67 68 69 70 71 72 73 74 75 76 77 78 79 80 81 82 83 84 85 86 87 88 89 90 91 92 93 94 95 96 97 98 99 100

REV. A SHOULD BE G



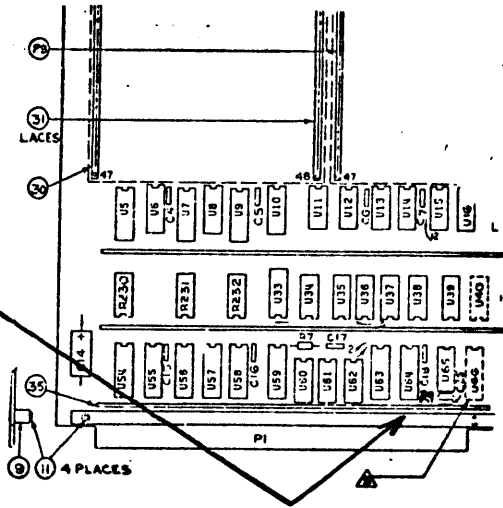
INTERIM CHANGE PACKAGE (CONT.)

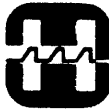
DESCRIPTION OF CHANGE:

REVISE DWG. 1570115 REV. V AS SHOWN

REVISE DWG AS FOLLOWS:
CHANGE RESISTOR R9 LOCATION A7
FROM R9 TO R10

NOTE: DO NOT CHANGE RESISTOR
R9, LOCATION D8.





INTERIM CHANGE PACKAGE

DOCUMENT NUMBER:

0800004

DOCUMENT TITLE:

SLASH 6 DRAWING MANUAL

EFFECTIVITY (SERIAL & MODEL NO.):

9-1-78

ECO/ECP REFERENCE:

0678C385-2

DESCRIPTION OF CHANGE:

SHOW LOCATION OF NEW CARD POSITION LABEL,
(PART NO. 6610142-901)

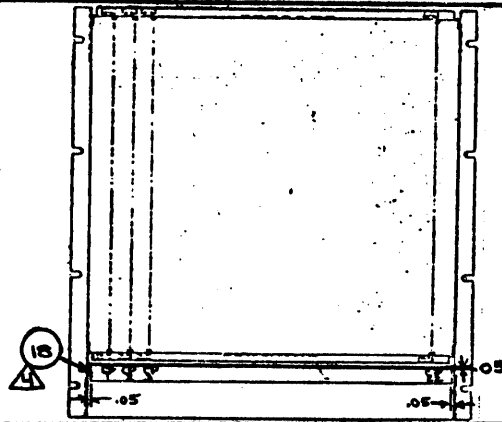
DWG. 1270118 REV. F
REVISE DWG. AS SHOWN:

1) ADD LABEL TO CHASSIS ASSY PARTS LIST

903 QTY	902 QTY	901 QTY	ITEM NO.	PART NO.	DESCRIPTION
1	1	1	18	6610142-901	LABEL, CARD POSITIONS

2) PLACE LABEL ON DRAWING BY
MEANS OF THE FOLLOWING FRONT
VIEW & NOTE:

△ LABEL TO BE POSITIONED SUCH THAT
CP1 & CP22 ARE ALIGNED WITH
ACTUAL CARD POSITIONS



3) ADD THE FOLLOWING TOLERANCES TO TOLERANCE BLOCK,
ZONE A3:

$$XX = \pm .05$$



INTERIM CHANGE PACKAGE (CONT.)

DESCRIPTION OF CHANGE:

DWG. 1270049 REV. B

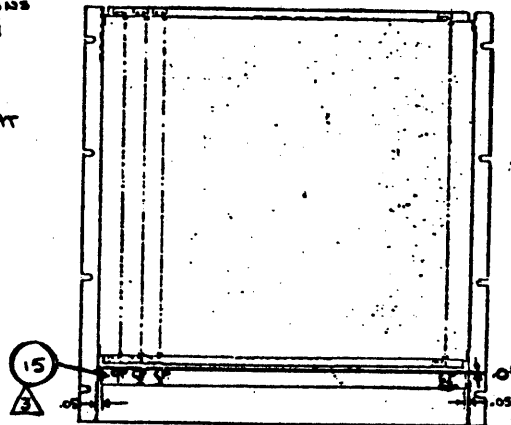
REVISE DWG. AS SHOWN:

1) ADD LABEL TO CHASSIS ASSY PARTS LIST

QTY	ITEM NO.	PART NO.	DESCRIPTION
1	15	6610142-901	LABEL, CARD POSITIONS

2) PLACE LABEL ON DRAWING BY MEANS OF THE FOLLOWING FRONT VIEW & NOTE:

△ LABEL TO BE POSITIONED SUCH THAT CP1 & CP22 ARE ALIGNED WITH ACTUAL CARD POSITIONS



3) ADD THE FOLLOWING TOLERANCES TO TOLERANCE BLOCK, ZONE A3;

$$XX = \pm .05$$

MODIFY SHEET 1 AS SHOWN

ZONE C5

FROM

⑤

TO

⑤ OR ⑥

INTERIM CHANGE PACKAGE

DOCUMENT NUMBER: 0800004	DOCUMENT TITLE: SLASH 6 DRAWING MANUAL
------------------------------------	--

EFFECTIVITY (SERIAL & MODEL NO.):
8-18-78

ECO/ECP REFERENCE:
0678C388-5

DESCRIPTION OF CHANGE:

- 1.) ADDS NECESSARY INFORMATION TO DWG.
- 2.) CORRECTS WIRING INFO, PARTS INFO & SCHEMATICS FOR SLASH 6 PDU

DWG. 1270130 REV. K

REVISE DWG (WL-BASIC) AS PER ATTACHED SHEET.
LINE 4 REMOVE **B**

WIRE NO. 16 CHG 57 TO 56; COLOR FROM WHITE TO BLK.

1) CHANGE

WIRE NO. 21 FROM: TB2-1 TO: FAN1-N
TO: TB3-2 TO: FAN1-N
NO. 53 FROM: TB2-1 TO: FAN2-N
TO: TB3-2 TO: FAN2-N

WIRE NO 86 FROM TB3-2 TO: PS4-2
TO TB3-1 TO PS4-2

WIRE NO. 7 FROM: K1-T2 TO F4-H

WIRE NO. 8 TO: K1-T2 TO TB1-2
FROM: K1-T2 TO T1-1
TO: K1-T3 TO T1-1

WIRE NO. 18 FROM: FL1-PH2 LINE TO K1-L3
TO: FL1-PH2 LINE TO K1-L2

WIRE NO. 19 FROM: TB3-9 TO K1-L2
TO: TB3-9 TO K1-L3

2) DELETE WIRE NO. 27 & 6

3) ADD WIRE NO. 41 BLK WIRE FROM K1-T1 TO F4-H
42 BLK WIRE FROM TB1-1 TO K1-T1

NOTE **A** CHG TO READ. WIRE NUMBERS 1 THRU 42 ARE MANDATORY FOR 901 THRU 905



INTERIM CHANGE PACKAGE (CONT.)

DESCRIPTION OF CHANGE: REVISE DWG. 1270130 REV. K - AS FOLLOWS:

BASIC								REMARKS
WIRE NO.	WIRE MC. ITEM NO.	LENGTH IN FEET	COLOR	PI REF. TARM. ITEM NO.	PE REF. TARM. ITEM NO.	PI FROM	PE TO	REMARKS
51			BLK	65	NONE	CB1-1	J1-Y	
52			RED	65	NONE	CB1-2	J1-X	
53			WHT	66	NONE	TB2-2	J1-W	
54			RED	66	65	TB1-3	CB1-4	
55			BLK	65	NONE	CB1-3		TB1-1
56	RED		BLK	65	NONE	K1-T2		TB1-2
57			BLK	69	NONE	K1-T2	T1-1	P2 TINNED
58			BLK	73	70	F4-L	K1-T2	
59			WHT	NONE	NONE	T1-1	T1-E	TIN BOTH ENDS
60			WHT	NONE	NONE	T1-3	T1-4	TIN BOTH ENDS
61			WHT	69	NONE	TB2-1	T1-4	P2 TINNED
62			WHT	NONE	NONE	T1-6	T1-7	TIN BOTH ENDS
63			WHT	69	NONE	TB3-6	T1-8	P2 TINNED
64			WHT	65	69	K1-C1	TB3-6	
65			WHT	65	69	K1-C2	TB3-6	
66			BLK	NONE	NONE	FL1-PL10	K1-L1	
67			RED	NONE	NONE	FL1-PL10	K1-L2	
68			BLK	70	70	TB3-3	K1-L3	
69			BLK	69	NONE	TB3-3	FAN1-N	AC FAN COED
70			BLK	69	NONE	TB2-1	FAN1-W	AC FAN COED
71			WHT	66	NONE	TB2-2	FL1-PL10	
72			BLK	66	65	TB3-3	FL1-PL10	
73			RED	66	65	TB3-4	FL1-PL10	
74			WHT	66	65	TB3-1	FL1-PL10	
75			BLK	65	72	TB3-3	F3-4	DOUBLE CRIMP
76			BLK	NONE	NONE	CLOCK	TB2-1	IN LWB SPICE
77			BLK	NONE	NONE	CLOCK	TB3-3	IN LWB SPICE
78			BLK	NONE	NONE	CLOCK	REST	
79			BLK	69	65	TB3-6	TB3-7	GRN RESISTOR 1/4 WATT
80			BLK	72	NONE	F3-L	PS1-1	P2 TINNED
81			WHT	69	NONE	TB3-2	PS1-2	P2 TINNED
82			GRN/YEL	69	NONE	TB3-4	PS1-5	P2 TINNED
83			BLK	NONE	NONE	PS1-1	PS1-8	TIN BOTH ENDS
84			WHT	NONE	NONE	PS1-2	PS1-9	TIN BOTH ENDS
85			RED	NONE	67	OV+	PS1-10	WIRE IS SUPPLIE
86			BLK	NONE	67	OV-	PS1-10	WIRE IS SUPPLIE
87			GRN/YEL	66	65	TB2-4	FL1-PL10	
88			GRN/YEL	NONE	NONE	J1-G	F4-H	
89			BLK	69	73	K1-T1	F4-H	
90			BLK	66	NONE	TB1-1	K1-T1	
91								
92			BLK	70	67	TB3-4	PS2-72	
93			WHT	70	67	TB3-1	PS2-72	
94			GRN/YEL	70	67	TB2-3	PS2-72	
95								
96								
97								
98								
99								
100								
101								
102								
103								
104								
105								
106								
107								
108								
109								
110								
111								
112								
113								
114								
115								
116								
117								
118								
119								
120								
121								
122								
123								
124								
125								
126								
127								
128								
129								
130								
131								
132								
133								
134								
135								
136								
137								
138								
139								
140								
141								
142								
143								
144								
145								
146								
147								
148								
149								
150								
151								
152								
153								
154								
155								
156								
157								
158								
159								
160								
161								
162								
163								
164								
165								
166								
167								
168								
169								
170								
171								
172								
173								
174								
175								
176								
177								
178								
179								
180								
181								
182								
183								
184								
185								
186								
187								
188								
189								
190								
191								
192								
193								
194								
195								
196								
197								
198								
199								
200								

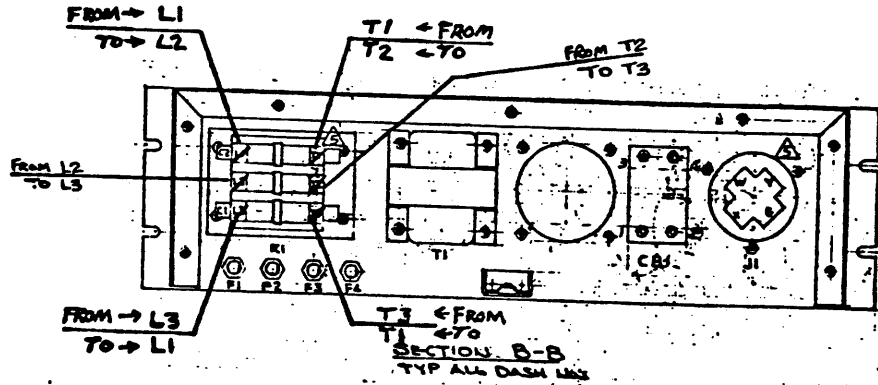


INTERIM CHANGE PACKAGE (CONT.)

DESCRIPTION OF CHANGE:

DWG. 1270130 REV. K
REVISE DWG. AS SHOWN

REVISE DWG. AS SHOWN. (ZONE A8) SH. 1.
MAKE THE FOLLOWING CHANGES.



REVISE DWG. (SH. 2) 1210130

ITEM NO.	QTY. REQ.			CODE IDENT.	HARRIS REFERENCE NO.	PART NUMBER	REFERENCE DESIGNATION	DESCRIPTION
	903	902	901					
1	-	-	X			1270130-901		
2	-	X	-			1270130-902		POWER DISTRIBUTION UNIT ASSY., 115V, 3 WIRE
3	X	-	-			1270130-903		POWER DISTRIBUTION UNIT ASSY., 230V, 4 WIRE
4	-	-	-			1270130-904		POWER DISTRIBUTION UNIT ASSY., 115V, 3 WIRE
5	-	-	-			1270130-905		POWER DISTRIBUTION UNIT ASSY., 230V, 4 WIRE
6	X	X	X			0970276-001		POWER DISTRIBUTION UNIT ASSY., 230V, 4 WIRE
7	X	X	X			0970276-002		SCHEMATIC A.C. PWR DISTRIBUTION UNIT
8	-	-	-			0970043-001		SCHEMATIC AC PWR DISTRIBUTION UNIT
9	-	-	-			0970043-002		SCHEMATIC AC PWR DISTRIBUTION UNIT
10	-	-	-			1270079-901		SCHEMATIC AC PWR DISTRIBUTION UNIT
11	-	-	-			1270128-901		FILTER / TB ASSY
12	-	-	-			1270128-901		ASSY. FRONT PANEL, PWR SPLY CHASSIS

SHEET 3

ITEM NO.	QTY. REQ.		CODE IDENT.	HARRIS REFERENCE NO.	PART NUMBER	DESCRIPTION
	905	904				
1	-	-			1270130-901	
2	-	-			1270130-902	POWER DISTRIBUTION UNIT ASSY., 115V, 3 WIRE
3	-	-			1270130-903	POWER DISTRIBUTION UNIT ASSY., 230V, 4 WIRE
4	-	X			1270130-904	POWER DISTRIBUTION UNIT ASSY., 115V, 3 WIRE
5	X	-			1270130-905	POWER DISTRIBUTION UNIT ASSY., 230V, 4 WIRE
6	-	-			0970276-001	POWER DISTRIBUTION UNIT ASSY., 230V, 4 WIRE
7	-	-			0970276-002	SCHEMATIC AC POWER DISTRIBUTION UNIT
8	-	X			0970043-001	SCHEMATIC AC POWER DISTRIBUTION UNIT
9	-	X			0970043-002	SCHEMATIC AC PWR DISTRIBUTION UNIT
10	-	-			0970043-002	SCHEMATIC AC PWR DISTRIBUTION UNIT
11	-	-			1270079-901	SCHEMATIC AC PWR DISTRIBUTION UNIT
12	-	-			1270128-901	FILTER / TB ASSY
13	-	-			1270128-901	ASSY. FRONT PANEL PWR. SPLY. CHASSIS
14	-	-			1270112-901	CHASSIS FRONT SPLY
15	-	-			1270122-001	BRACKET PWR SUPPLY



INTERIM CHANGE PACKAGE (CONT.)

DESCRIPTION OF CHANGE:

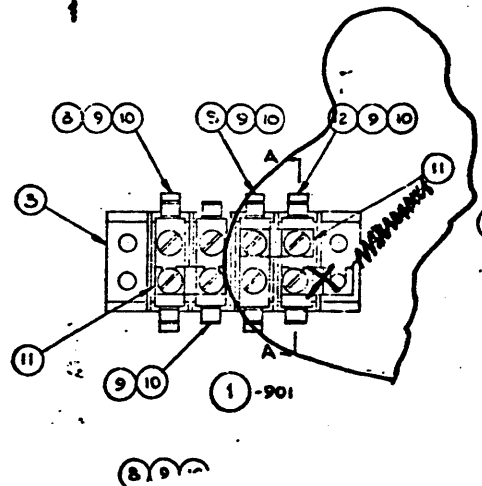
DWG. 1250117-REV. B

REVISE DWG AS FOLLOWS:

REMOVE JUMPER FROM TB2-4 TO MOUNTING SCREW AS SHOWN ON ATTACHED MARKED PRINT (ZONE D3) SH. 2 OF 2

REVISE DWG. (PARTS LIST) AS FOLLOWS (ZONE B2)

	902	901	ITEM	PART NO	DESCRIPTION
FROM →	1	3	11	2210112-204	JUMPER
TD →	1	2	11	2210112-204	JUMPER





COMMUNICATIONS AND
INFORMATION HANDLING

ICP NO: 78-607	DATE: 7-12-78
-------------------	------------------

INTERIM CHANGE PACKAGE

DOCUMENT NUMBER: 0800004	DOCUMENT TITLE: SLASH 6 DRAWING MANUAL
-----------------------------	---

EFFECTIVITY (SERIAL & MODEL NO.):
8-4-78

ECO/ECP REFERENCE:
0678C462-2

DESCRIPTION OF CHANGE:
ADD SILKSCREEN TO DRILL & DIM RLC CHART.

DWG 1550113 REV K
UPDATE RLC CHART

REVISION LEVEL CONTROL CHART														
APPLICABLE ASSY DASH NO. 901														
LOWEST USABLE ASSY LEVEL														
DWG NO.	TITLE	USABLE DRAWING REVISION												
THIS DWG	ASSEMBLY	A	B	C	D	E	F	G	H	J	K			
1510113	PARTS LIST	A	B	C	D	D	D	D	D	D	D			
7070113	DRILL & DIM.	A	A	A	A	A	B	C	C	C	D			
0970113	LOGIC DIAGRAM	-	-	A	A	A	B	B	B	C	D	D		

DWG 7070113 REV D

REVISION LEVEL CONTROL CHART													
LOWEST USABLE PRINTED BOARD LEVEL					THIS DRAWING -001								
					X	A	B	C	D				
DWG NO.	TITLE	-USABLE DRAWING REVISION											
THIS DWG	DRILLING & DIM.	-	A	B	C	D							
7370117	LAYER 1	-	A	B	B	B							
7370118	LAYER 2	-	A	A	A	A							
7170115	SOLDER MASK L1	-	A	A	A	A							
7170116	SOLDER MASK L2	-	A	A	A	A							
7270113	SILKSCREEN	-											
7670113	DRILL MASTER	-	A	A	B	B							

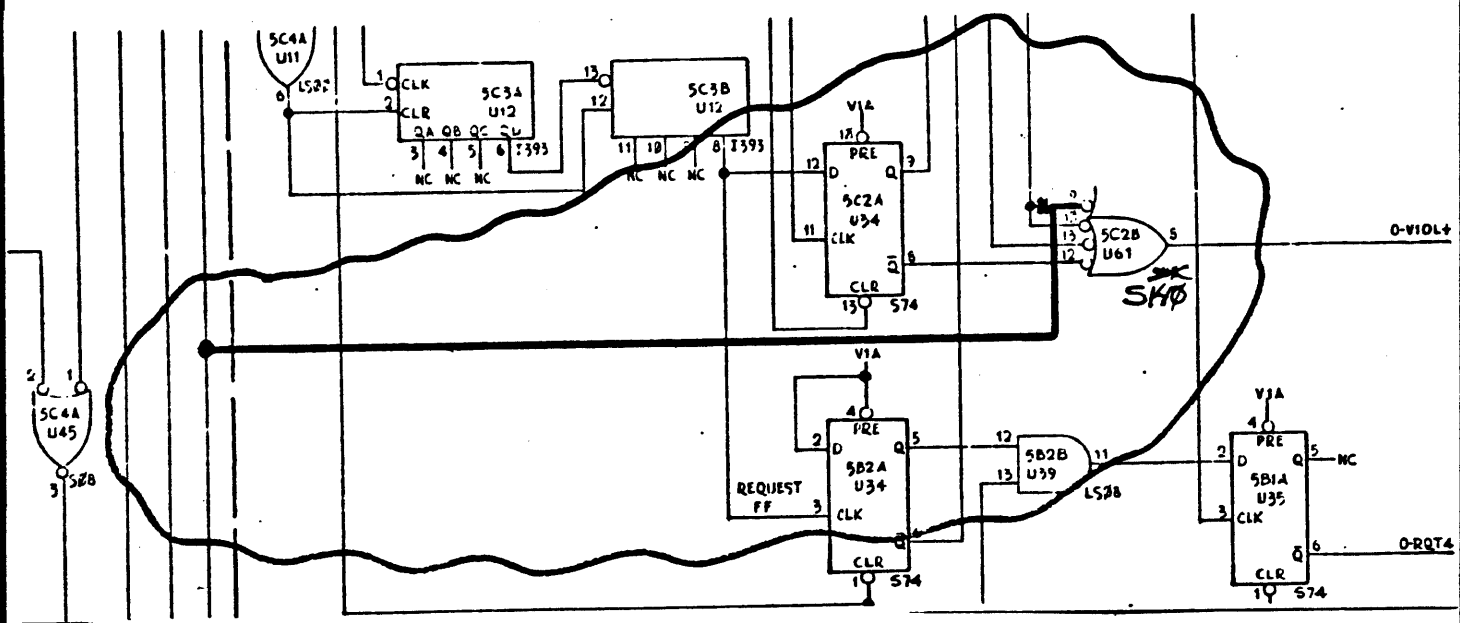
INTERIM CHANGE PACKAGE

DOCUMENT NUMBER: 0800004	DOCUMENT TITLE: SLASH 6 DRAWING MANUAL
------------------------------------	--

EFFECTIVITY (SERIAL & MODEL NO.):
7-12-78

ECO/ECP REFERENCE:
0678C436-3

DESCRIPTION OF CHANGE:
DWG 0970115
UPDATE LOGIC AS SHOWN
LOGIC SHEET 5, ZONE C3, PAGE 2-14





INTERIM CHANGE PACKAGE (CONT.)

DESCRIPTION OF CHANGE:

DWG 1510115 PAGE 6-6
 UPDATE DWG. CHANGE ITEM 65

ITEM #65, CHANGE Part No. FROM 6410000-095 TO 6410000-111

" " , CHANGE DESCRIPTION FROM 74520 TO 745140

	ITEM	QTY	PART NO.	REF.DES.	DESCRIPTION
FROM →	65	1	6410000-095	U61	IC (74520)
TO →	65	1	6410000-111	U61	IC (745140)

DWG 1570115 (PAGE 4-9)

UPDATE RLC CHART

REVISION LEVEL CONTROL CHART												
APPLICABLE ASSY DASH NO. - 801												
COUNT OF USABLE ASSY LEVEL												
DWG NO.	TITLE	A	B	C	D	E	F	G	H	I	J	K
1510115	ASSEMBLY	X	X	X	X	X	X	X	X	X	X	X
1510115	PARTS LIST	A	B	C	D	E	F	G	H	I	J	K
7070115	DRILL DIM	A	B	B	B	B	B	C	D	E	F	G
0970115	LOGIC DIAGRAM	-A	B	C	D	E	F	G	H	H	K	L

INTERIM CHANGE PACKAGE

DOCUMENT NUMBER: 0800004	DOCUMENT TITLE: SLASH G DRAWING MANUAL
------------------------------------	--

EFFECTIVITY (SERIAL & MODEL NO.):
7-31-78

ECO/ECP REFERENCE:
0678C414-2

DESCRIPTION OF CHANGE:
**DWG 1570125 (PAGE 4-10)
UPDATE RLC CHART**

REVISION LEVEL CONTROL CHART		
APPLICABLE ASSY DASH NO.	-901 & 902	
LOWEST USABLE ASSY LEVEL	-ABCDEFGH	
DWG NO.	TITLE	USABLE DRAWING REVISION
THIS DWG	ASSEMBLY	-A A B C D E F G H
1510125	PARTS LIST	-A B C C C D E F F
7-20125	DRILL & DIM.	A B B B C C C C D
1510125	LOGIC	X A B B B B B B B

**DELETE 1510125 FROM APPLICATION BLOCK,
ADD 1270119-901 TO APPLICATION BLOCK**



COMMUNICATIONS AND INFORMATION HANDLING

ICP NO: 78-602	DATE: 7-18-78
-------------------	------------------

INTERIM CHANGE PACKAGE

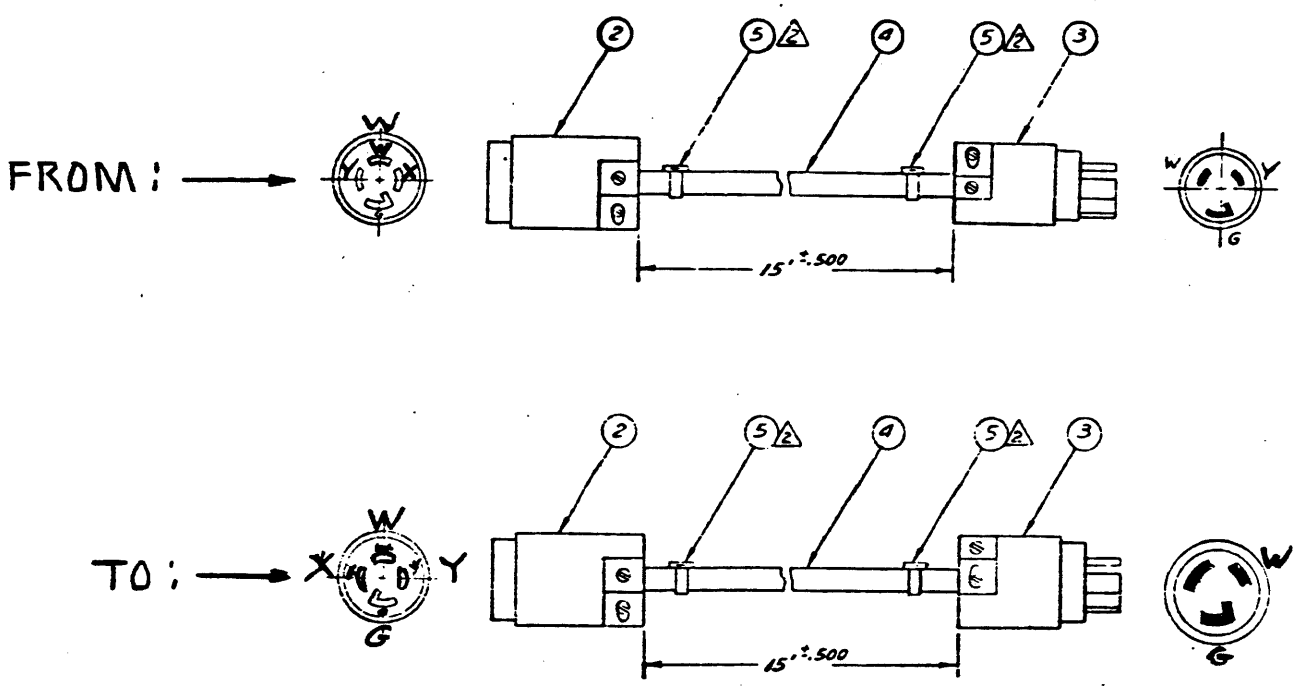
DOCUMENT NUMBER: 0800004	DOCUMENT TITLE: SLASH 6 DRAWING MANUAL
-----------------------------	---

EFFECTIVITY (SERIAL & MODEL NO.): 7-12-78
--

ECO/ECP REFERENCE: 0678 C 438-1

DESCRIPTION OF CHANGE:
DWG 1830022 (PAGE 3-3)

REVISE DWG AS SHOWN
(AC RECEPTACLE)



INTERIM CHANGE PACKAGE

DOCUMENT TITLE:
SLASH 6 DRAWING MANUAL

DOCUMENT NUMBER:
0800004

EFFECTIVITY
8-7-78

ECP REFERENCE:
0778C506-1

DESCRIPTION OF CHANGE:
DWG 1830107 REV D (PAGE 3-9)
REVISED DWG AS SHOWN

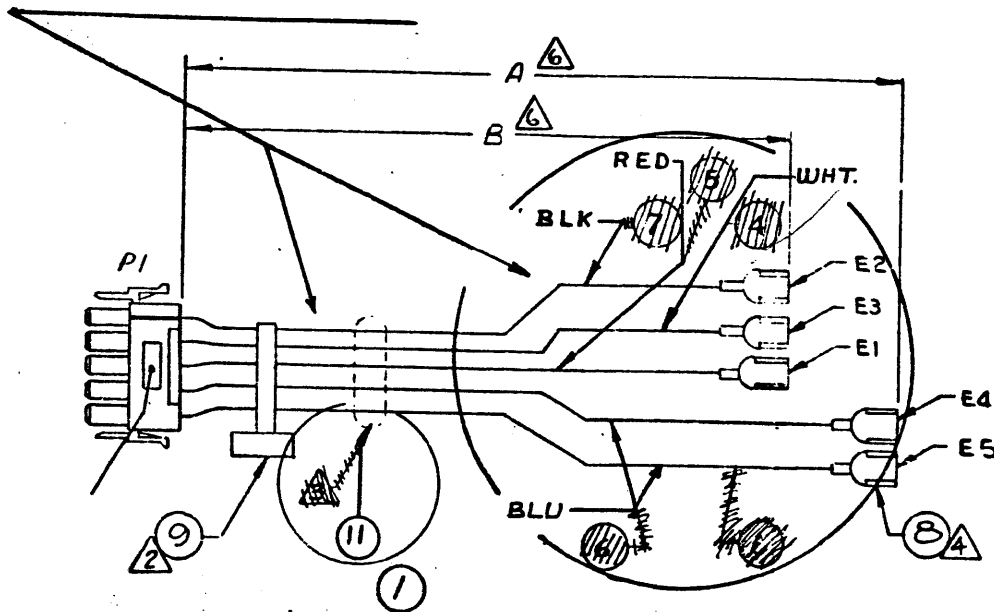
NOTES --
DELETE NOTE $\triangle 3$

PARTS LIST
DELETE ITEMS 4,5,6,7.

ADD ITEM 11

QTY	ITEM	PART NO.	DESCRIPTION
$\triangle 6$	11	6010106-097	WIRE TWISTED 14GA-BLK,BLU,BLU,RED,WHT.

DWG 1830107 REV D
REVISE DWG AS SHOWN





INTERIM CHANGE PACKAGE

DOCUMENT TITLE:
SLASH 6 DRAWING MANUAL

DOCUMENT NUMBER:
0800004

EFFECTIVITY
8-8-78

ECP REFERENCE:
0778C486-2

DESCRIPTION OF CHANGE:
**DWG 1510292 REV M (PAGE 6-14)
REVISE DWG AS FOLLOWS.**

CHANGE PART NO. OF ITEM 40

**FROM: 6410000-091 INTERGRATED CIRCUIT (74S00)
TO: 6410000-086 INTERGRATED CIRCUIT (74S00)**

CHANGE PART NO. OF ITEM 41

**FROM: 6410000-086 INTERGRATED CIRCUIT (74S08)
TO: 6410000-091 INTERGRATED CIRCUIT (74S08)**

**DWG 1570292 REV U (PAGE 4-20)
UPDATE RLC CHART AS SHOWN.**

REVISION LEVEL CONTROL CHART																						
APPLICABLE ASSY DASH NO.		- 901																				
LOWEST USABLE ASSY LEVEL		X X X X X X X X X X X X X X R S T U																				
DWG NO.	TITLE	USABLE DRAWING REVISION																				
THIS DWG	ASSEMBLY	-	A	B	C	D	E	F	G	H	J	K	L	M	N	P	R	S	T	U		
1510292	PARTS LIST	-	A	B	C	C	D	D	E	F	F	F	F	F	F	F	G	H	J	K	L	M
7070292	DRILL & DIM	-	-	-	-	A	A	A	B	B	B	C	C	C	C	C	C	C	C	C	C	C
0970292	LOGIC DIAGRAM	-	A	A	B	B	C	D	E	E	F	F	G	H	J	J	K	K	K	K	K	K

REVISION LEVEL CONTROL CHART																						
APPLICABLE ASSY DASH NO.		- 902																				
LOWEST USABLE ASSY LEVEL		X X X X X X X X X X X X X X R S T U																				
DWG NO.	TITLE	USABLE DRAWING REVISION																				
THIS DWG	ASSEMBLY	-	A	B	C	D	E	F	G	H	J	K	L	M	N	P	R	S	T	U		
1510292	PARTS LIST	-	A	B	C	C	D	E	F	F	F	F	F	F	F	G	H	J	K	L	M	
7870292	DRILL & DIM	-	-	-	-	A	A	A	B	B	B	C	C	C	C	C	C	C	C	C	C	C
0970292	LOGIC DIAGRAM	-	A	A	B	B	C	D	E	E	F	F	G	H	J	J	K	K	K	K	K	K



INTERIM CHANGE PACKAGE

DOCUMENT TITLE:
SLASH 6 DRAWING MANUAL

DOCUMENT NUMBER:
0800004

EFFECTIVITY
8-8-78

ECP REFERENCE:
0778C501-1

DESCRIPTION OF CHANGE:
DWG. 1570149 REV L (PAGE 4-18)
REVISE AS SHOWN

ITEM 12, CHANGE AS FOLLOWS:

FROM: AR 6010108-006 WIRE, TEFZEL, # 30 GA BLUE
TO: AR 6010116-001 WIRE, SOLID, PVC INSUL. # 30 GA WHITE

UPDATE RLC CHART

REVISION LEVEL CONTROL CHART												
APPLICABLE ASSY DASH NO.		901										
LOWEST USABLE ASSY LEVEL		X	X	X	X	X	X	X	X	X	X	X
DWG NO.	TITLE	USABLE DRAWING REVISION										
		A	B	C	D	E	F	G	H	J	K	L
THIS DWG	ASSEMBLY	-	-	-	-	-	-	-	-	-	-	-
7070149	DRILL DIM	-	-	-	-	-	-	-	A	B	B	B
0510113	WIRE LIST	-	-	-	-	1	2	3	3	3	3	3